



US00D863624S

(12) **United States Design Patent** (10) **Patent No.:** **US D863,624 S**  
**Kawaguchi** (45) **Date of Patent:** **\*\* Oct. 15, 2019**

(54) **FRONT COMBINATION LAMP FOR AN AUTOMOBILE**

(71) Applicant: **HONDA MOTOR CO., LTD.**, Tokyo (JP)

(72) Inventor: **Shogo Kawaguchi**, Wako (JP)

(73) Assignee: **HONDA MOTOR CO., LTD.**, Tokyo (JP)

(\*\*) Term: **15 Years**

(21) Appl. No.: **29/654,456**

(22) Filed: **Jun. 25, 2018**

(30) **Foreign Application Priority Data**

Dec. 29, 2017 (JP) ..... 2017-029640

(51) **LOC (12) Cl.** ..... **26-06**

(52) **U.S. Cl.**  
USPC ..... **D26/28**

(58) **Field of Classification Search**  
USPC ..... D26/28-36, 139  
CPC ..... F21S 48/00; F21S 48/10; F21S 48/115;  
F21S 48/225; F21S 48/1233; F21S 48/1266; F21S 48/1388; F21S 48/2268;  
F21V 21/04; F21V 29/004

See application file for complete search history.

(56) **References Cited**

U.S. PATENT DOCUMENTS

D684,710 S	*	6/2013	Chen	.....	D26/28
D691,754 S	*	10/2013	Chen	.....	D26/28
D723,723 S	*	3/2015	Goto	.....	D26/28
D735,920 S	*	8/2015	Honda	.....	D26/28
D745,717 S	*	12/2015	Wu	.....	D26/28
D757,967 S	*	5/2016	Kim	.....	D26/28
D769,483 S	*	10/2016	Morikawa	.....	D26/28
D772,448 S	*	11/2016	Ishii	.....	D26/28
D789,572 S	*	6/2017	Peat	.....	D26/28

\* cited by examiner

*Primary Examiner* — Marcus A Jackson

(74) *Attorney, Agent, or Firm* — Westerman, Hattori, Daniels & Adrian, LLP

(57) **CLAIM**

The ornamental design for a front combination lamp for an automobile, as shown and described herein.

**DESCRIPTION**

FIG. 1 is a front perspective view of a front combination lamp for an automobile;  
FIG. 2 is a front elevation view thereof;  
FIG. 3 is a right side elevation view thereof; and,  
FIG. 4 is a top plan view thereof.  
The broken lines in the drawings illustrate portions of the front combination lamp for an automobile that form no part of the claimed design.

**1 Claim, 4 Drawing Sheets**

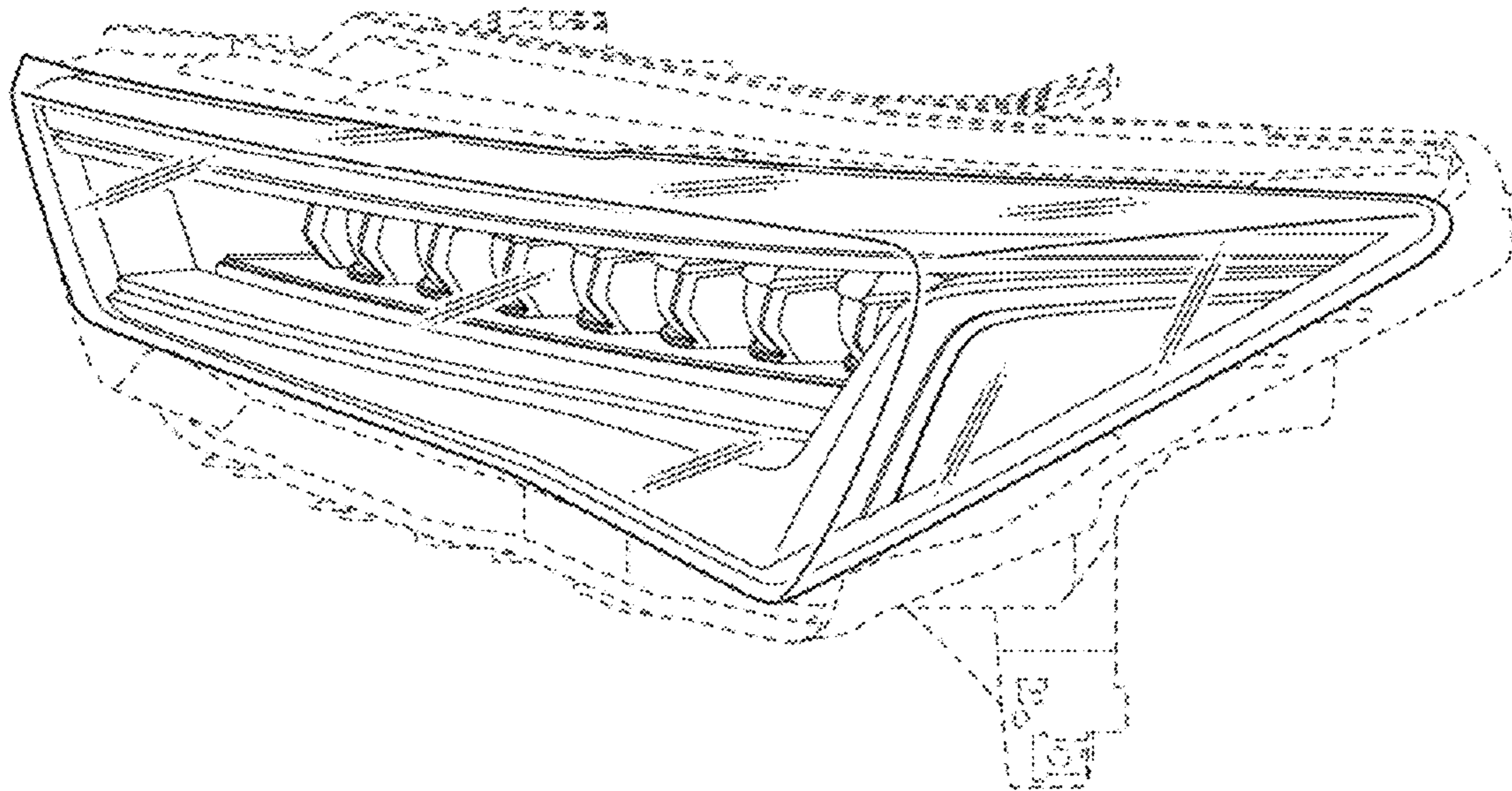


FIG. 1

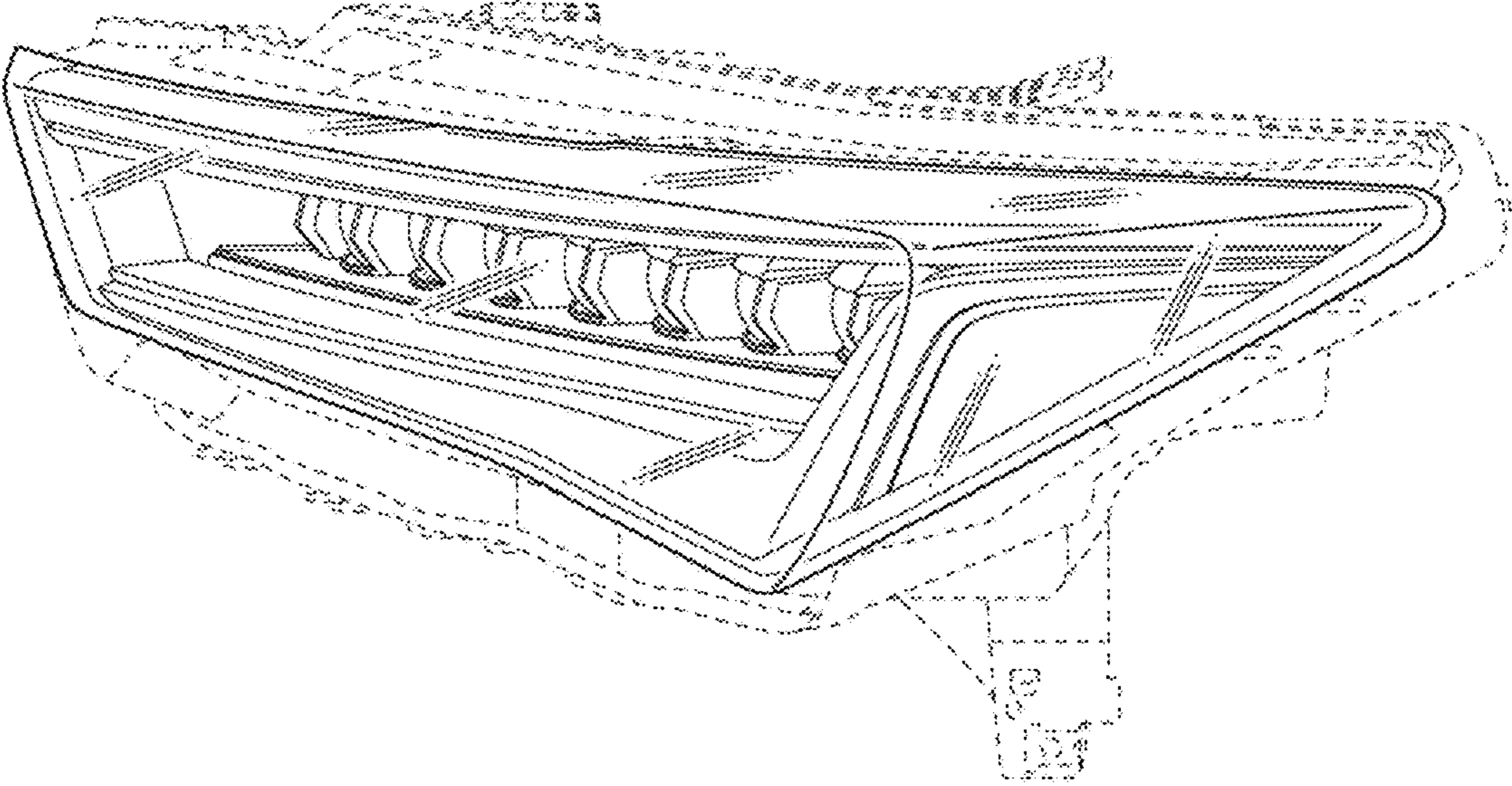


FIG. 2

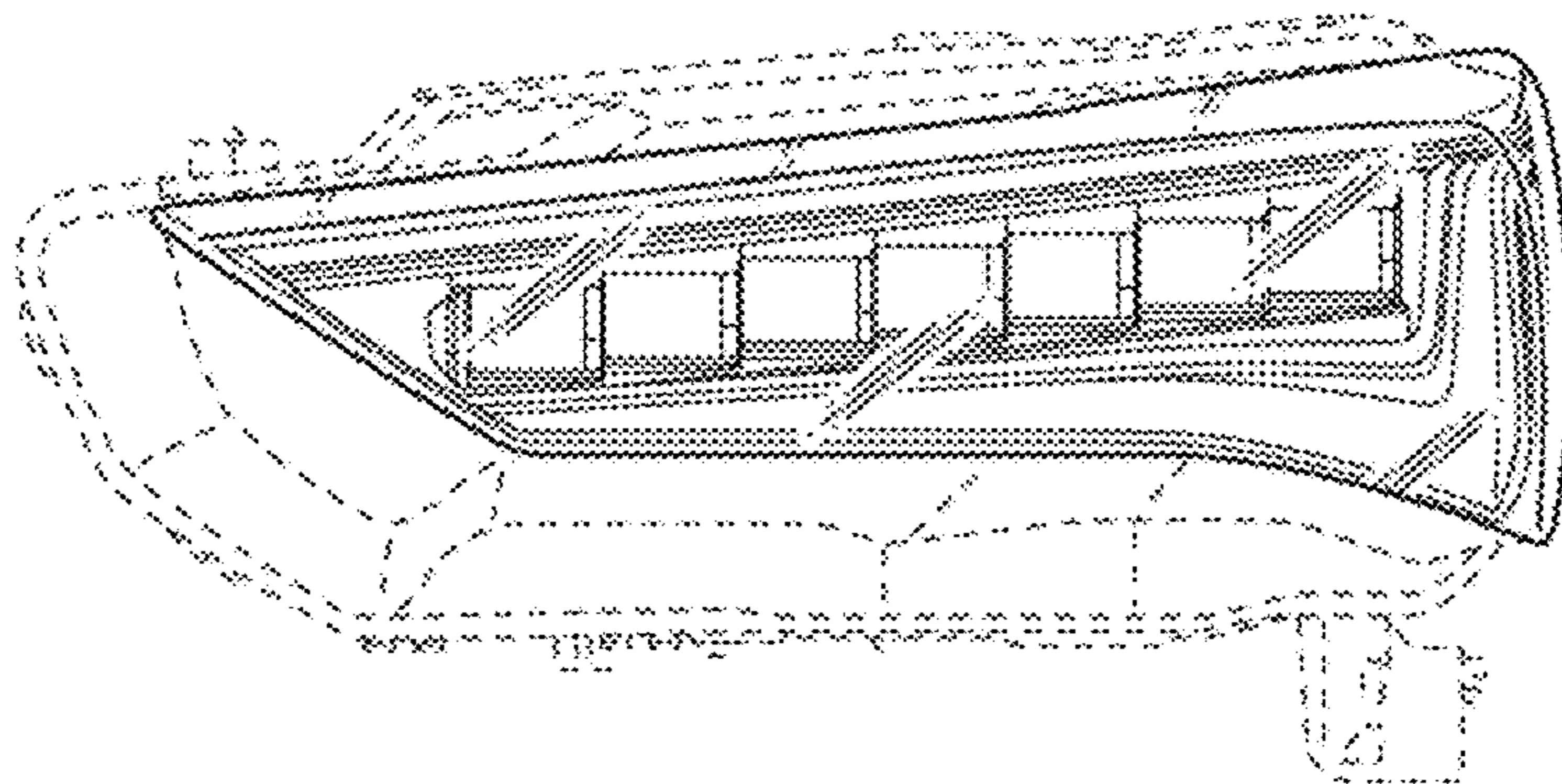


FIG. 3

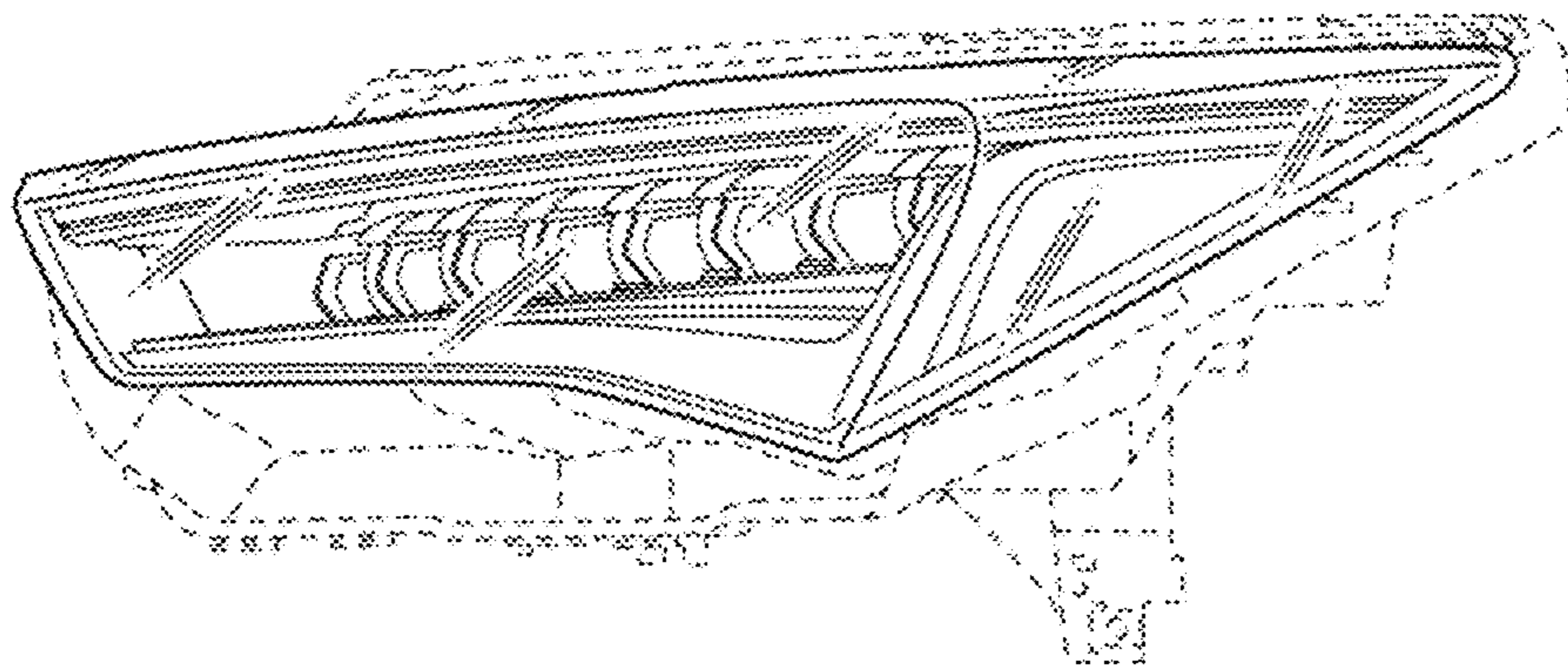


FIG. 4

