



US00D863623S

(12) **United States Design Patent**
Bauer

(10) **Patent No.:** **US D863,623 S**
(45) **Date of Patent:** **** Oct. 15, 2019**

(54) **HEADLIGHT FOR A MOTOR VEHICLE**

D739,578 S * 9/2015 Han D26/28
D747,512 S * 1/2016 Lai D26/28
D752,255 S * 3/2016 Futschik D26/28

(71) Applicant: **Dr. Ing. h.c. F. Porsche**
Aktiengesellschaft, Stuttgart (DE)

(72) Inventor: **Ulrich Bauer, Gerlingen (DE)**

(73) Assignee: **Dr. Ing. h.c. F. Porsche**
Aktiengesellschaft (DE)

(**) Term: **15 Years**

(21) Appl. No.: **29/653,659**

(22) Filed: **Jun. 18, 2018**

(30) **Foreign Application Priority Data**

Dec. 19, 2017 (DE) 40 2017 101 388

(51) **LOC (12) Cl.** **26-06**

(52) **U.S. Cl.**
USPC **D26/28**

(58) **Field of Classification Search**

USPC D26/28-36, 139

CPC F21S 48/00; F21S 48/10; F21S 48/115;
F21S 48/225; F21S 48/1233; F21S
48/1266; F21S 48/1388; F21S 48/2268;
F21V 21/04; F21V 29/004

See application file for complete search history.

(56) **References Cited**

U.S. PATENT DOCUMENTS

D674,940 S * 1/2013 Lai D26/28
D720,870 S * 1/2015 Lim D26/28

OTHER PUBLICATIONS

Design U.S. Appl. No. 29/621,315, by Bauer, filed Oct. 6, 2017.
Design U.S. Appl. No. 29/621,316, by Bauer, filed Oct. 6, 2017.

* cited by examiner

Primary Examiner — Marcus A Jackson

(74) *Attorney, Agent, or Firm* — RatnerPrestia

(57) **CLAIM**

The ornamental design for a headlight for a motor vehicle,
as shown and described.

DESCRIPTION

FIG. 1 is an isometric view of a headlight for a motor
vehicle;

FIG. 2 is a front elevation view thereof;

FIG. 3 is a rear elevation view thereof;

FIG. 4 is an elevation view thereof from the right side;

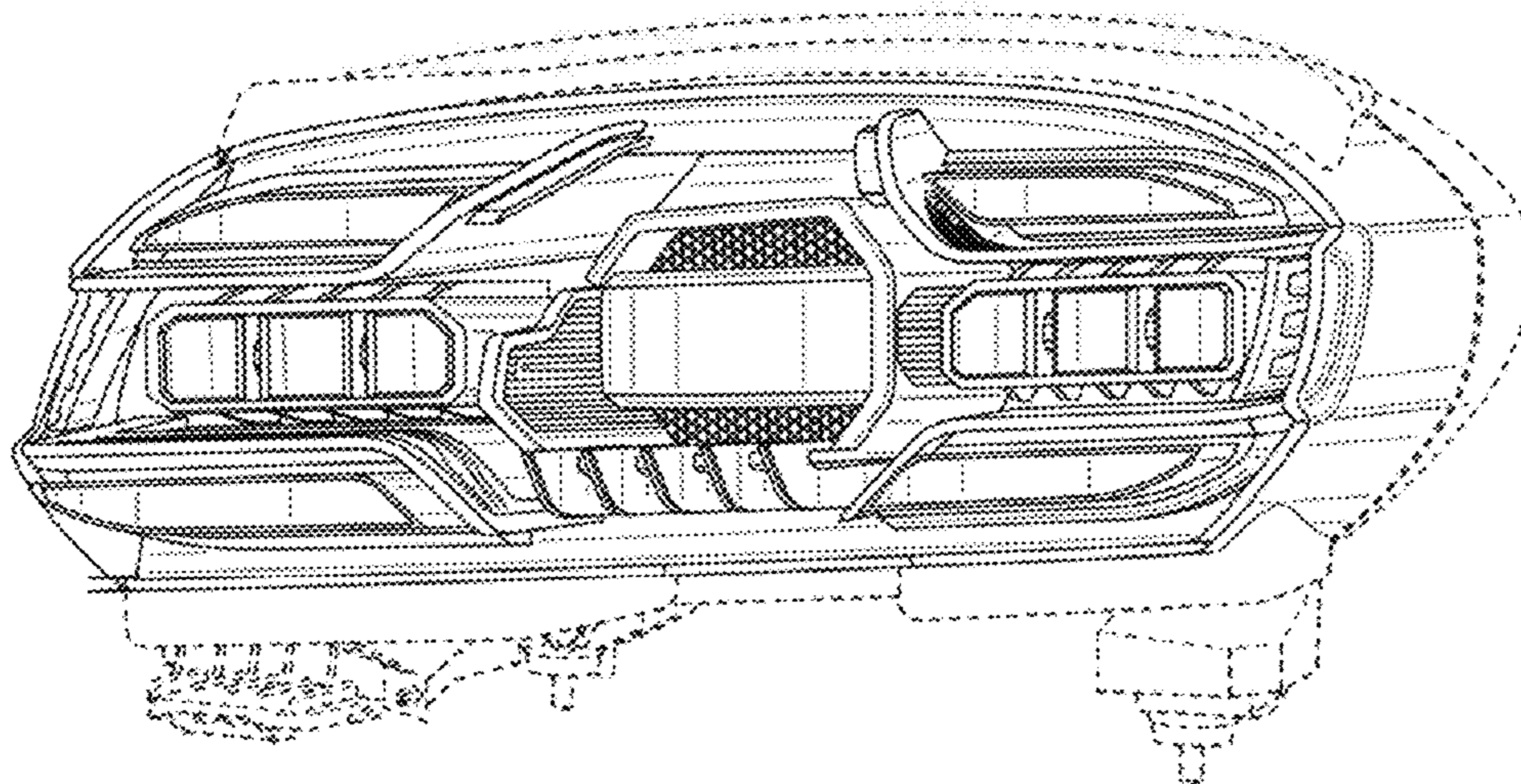
FIG. 5 is an elevation view thereof from the left side;

FIG. 6 is a top plan view thereof; and,

FIG. 7 is a bottom plan view thereof.

The broken line showing of the headlight for a motor vehicle
is for the purpose of illustrating portions of the headlight for
a motor vehicle and forms no part of the claimed designs.

1 Claim, 7 Drawing Sheets



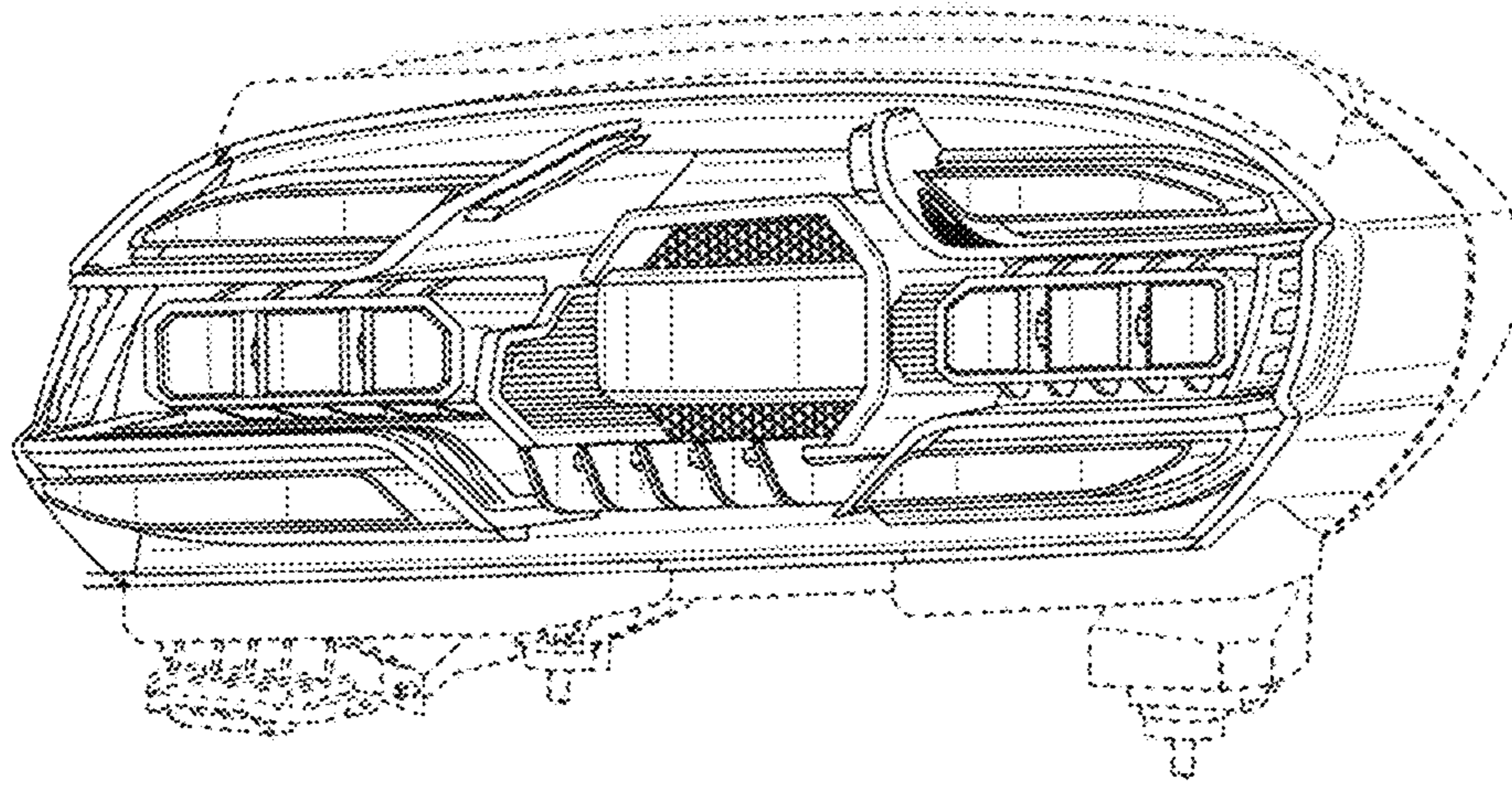


FIG. 1

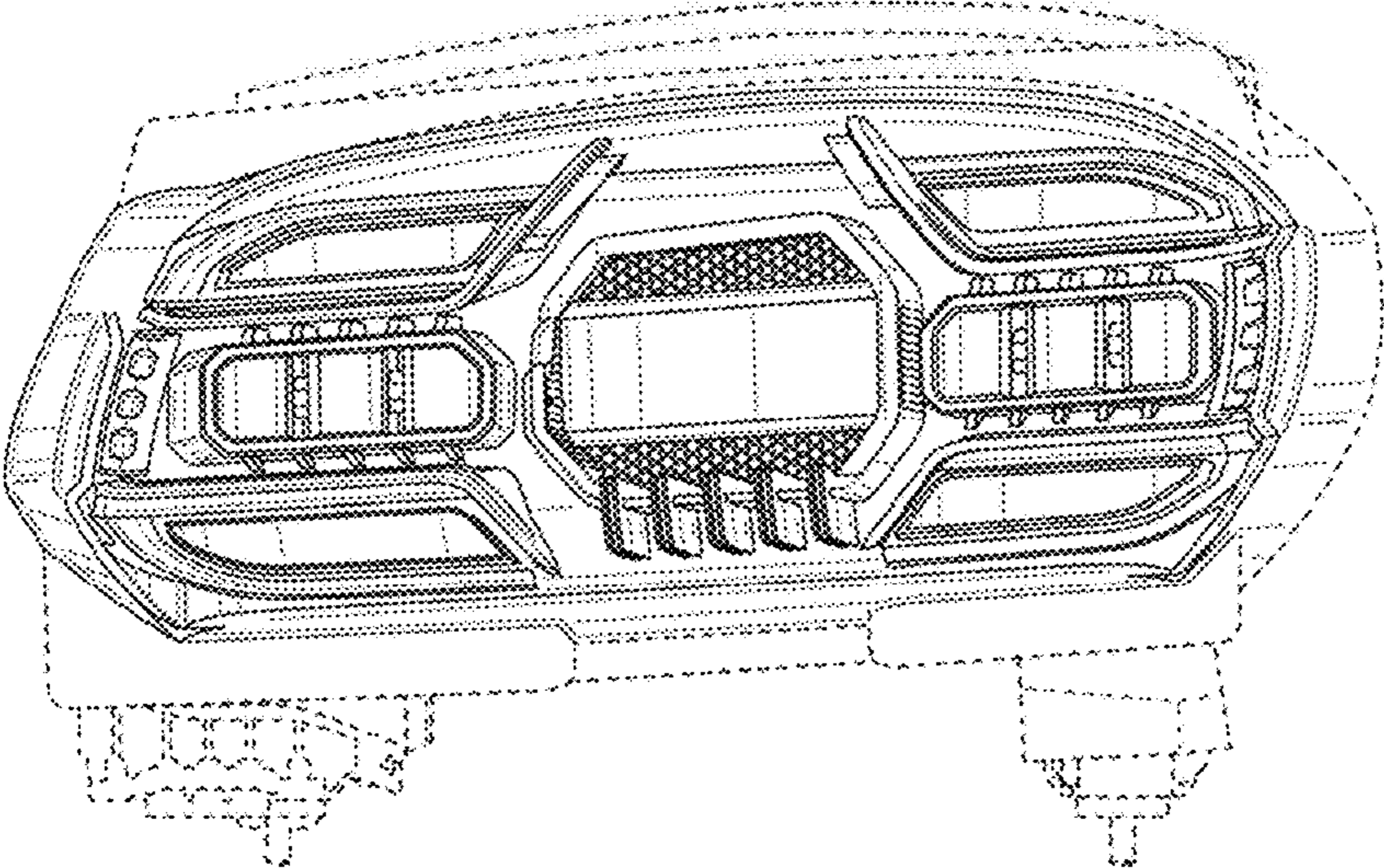


FIG. 2

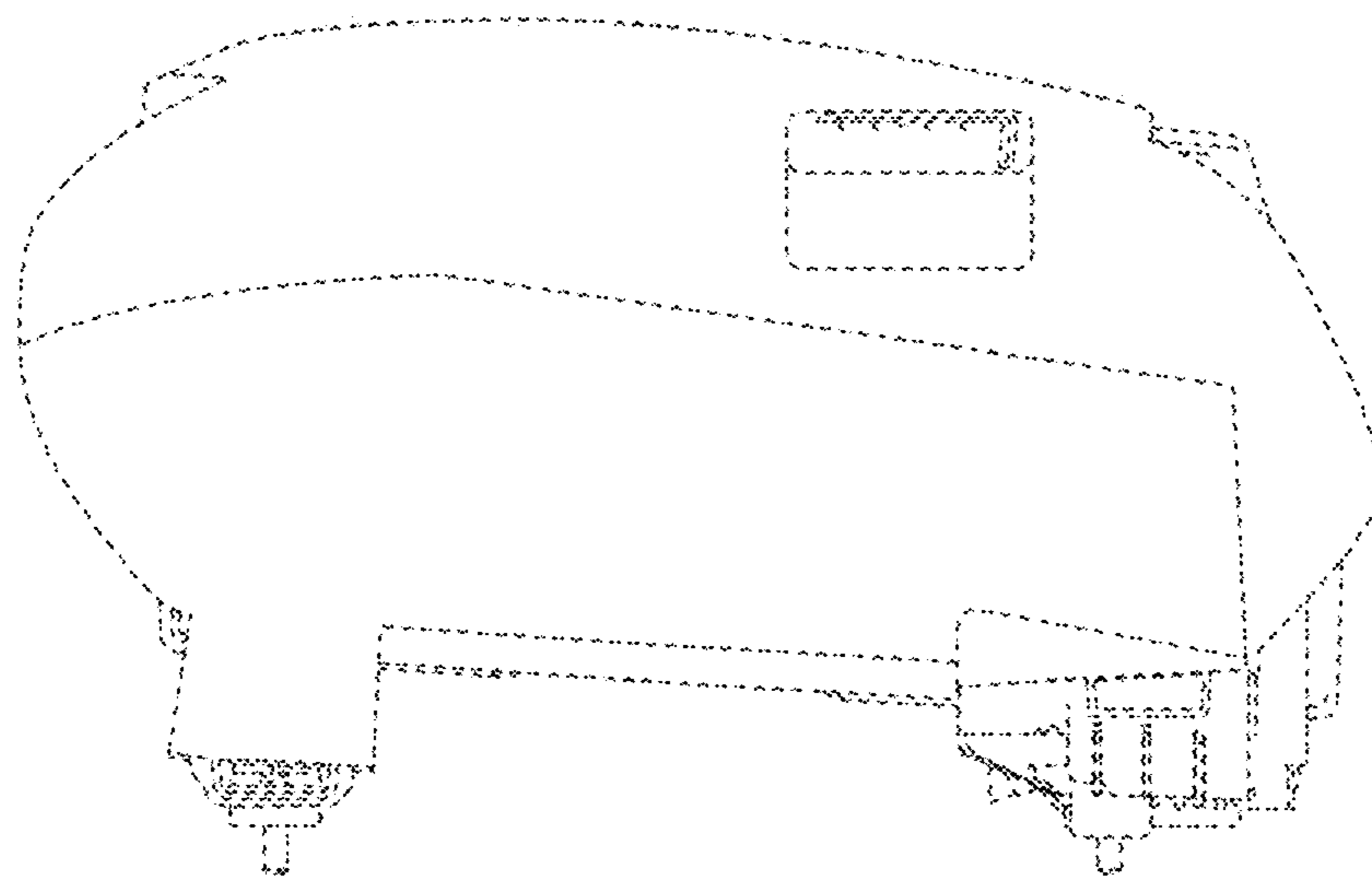


FIG. 3

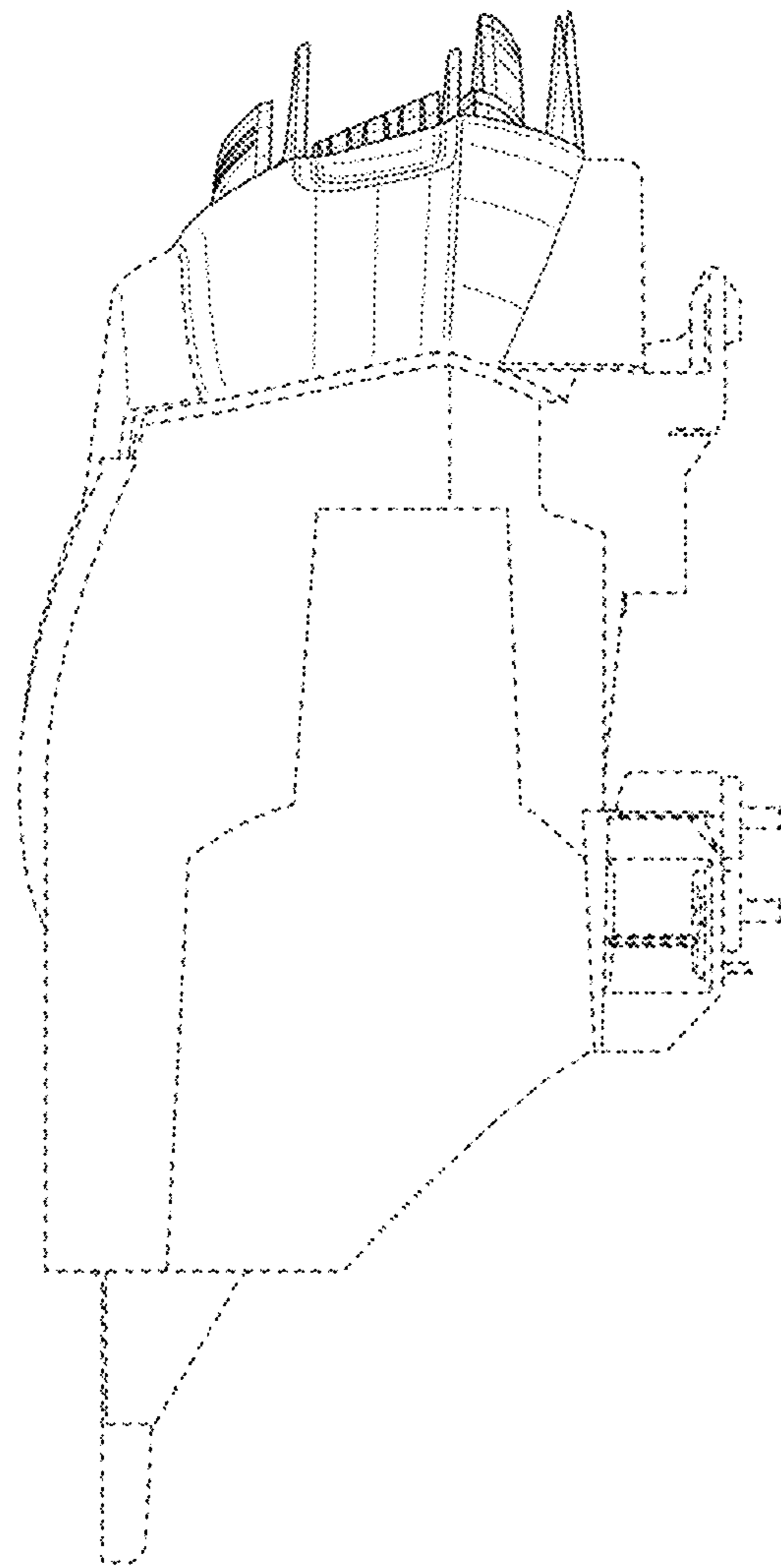


FIG. 4

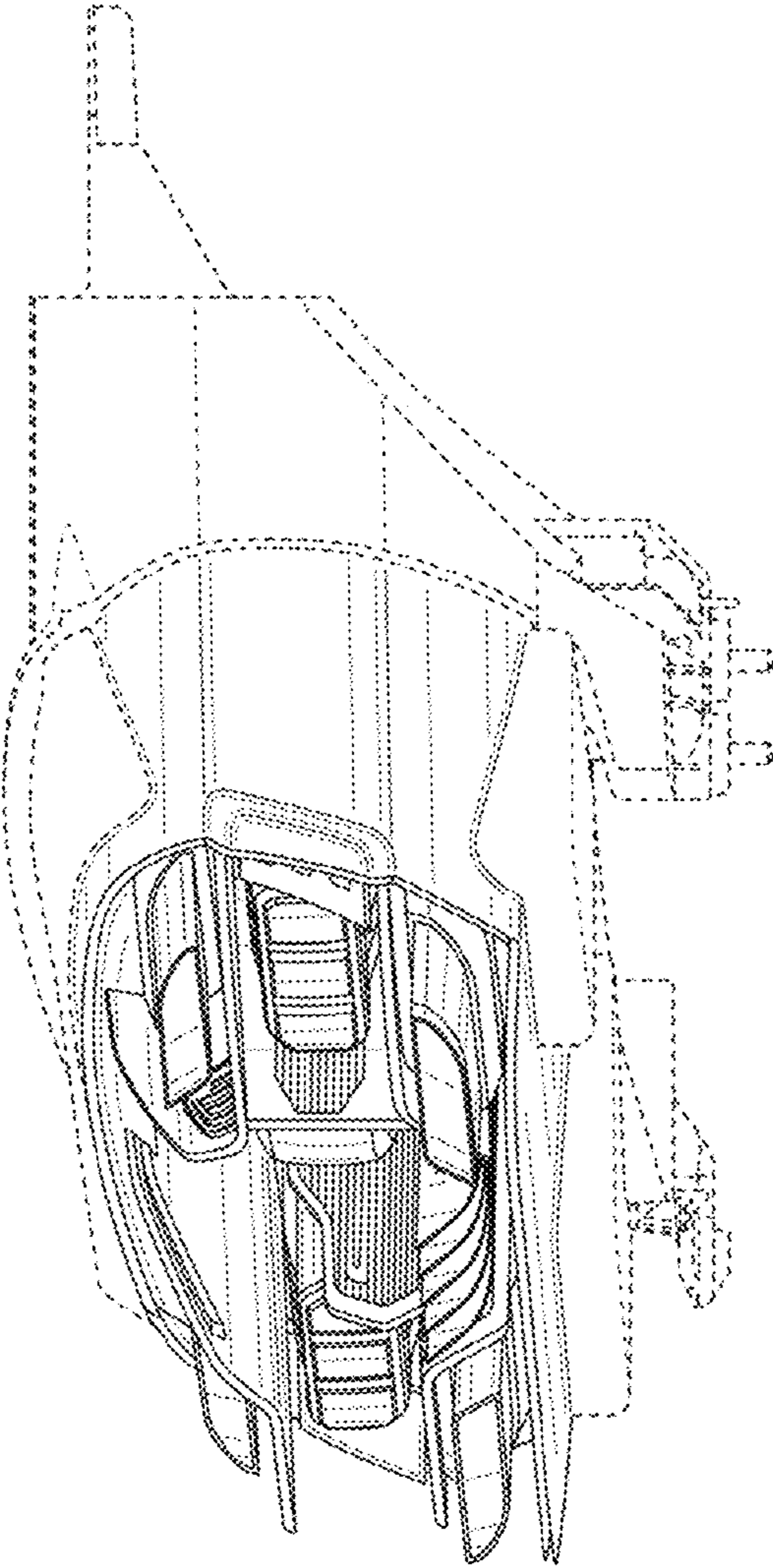


FIG. 5

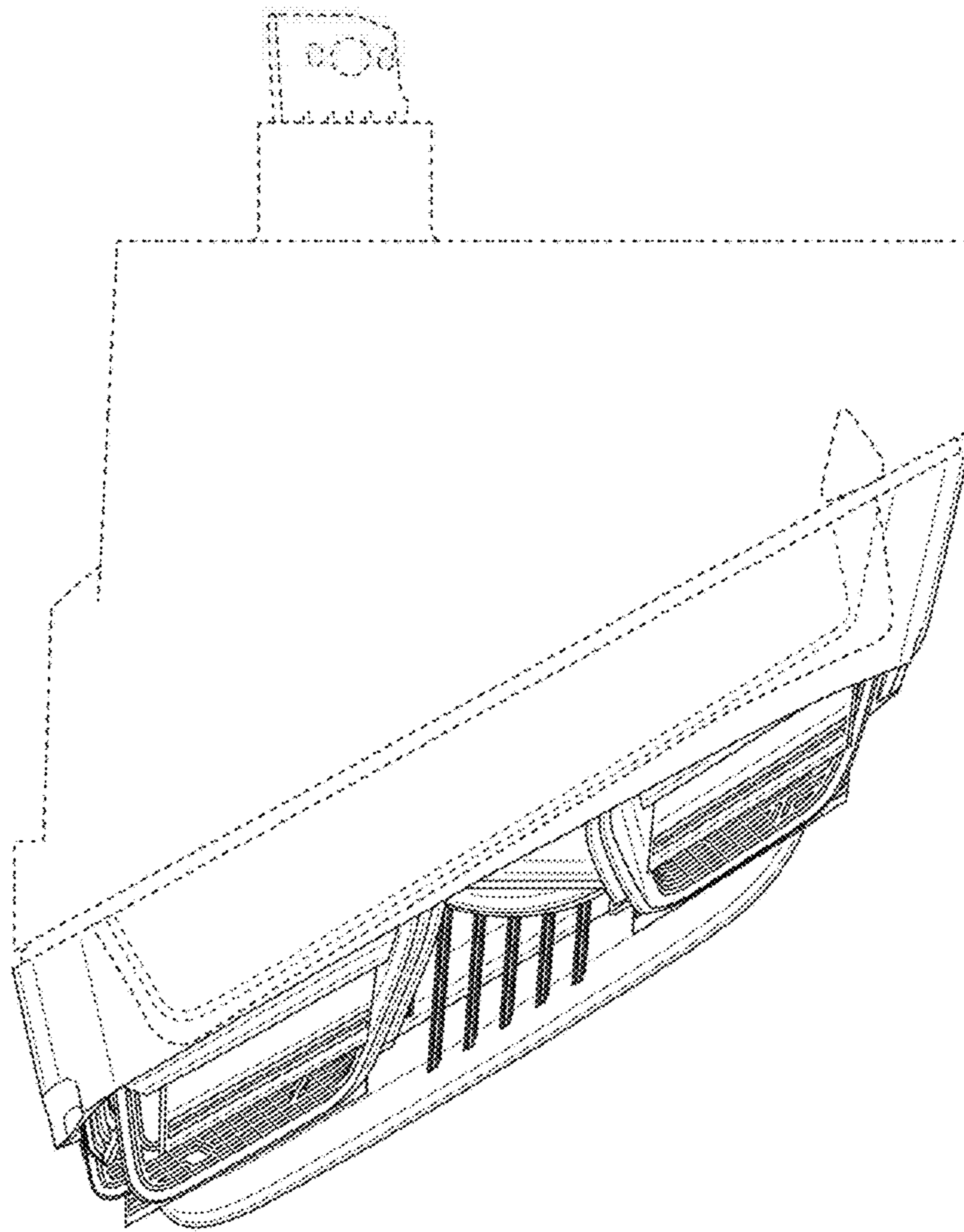


FIG. 6

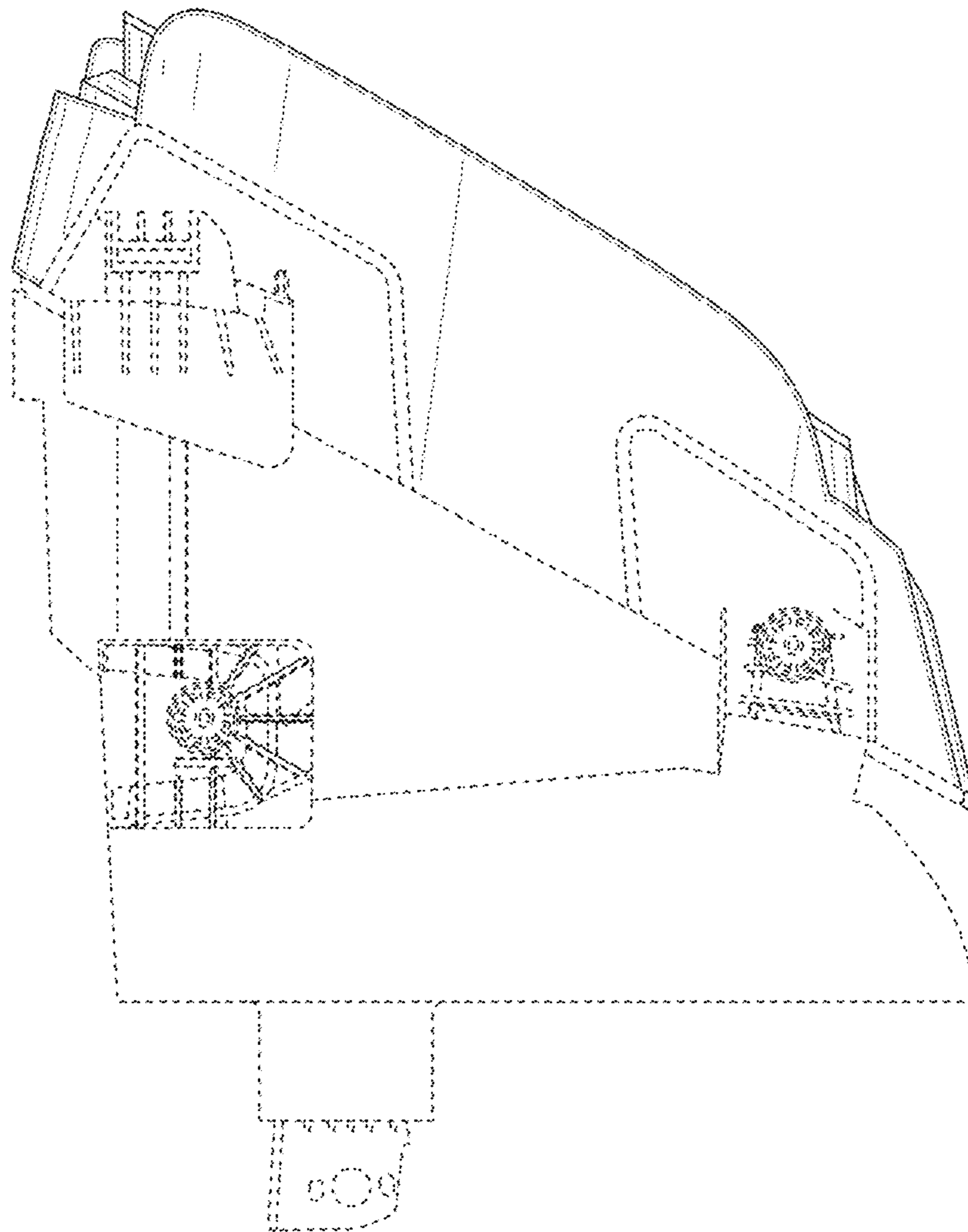


FIG. 7