

US00D863621S

(12) **United States Design Patent** (10) **Patent No.:** **US D863,621 S**
Chi (45) **Date of Patent:** **** Oct. 15, 2019**

(54) **LED HEADLIGHT SUGGESTING AN EYE OF A SKULL**

(71) Applicant: **Razer Auto, Inc.**, Upland, CA (US)

(72) Inventor: **Samuel Chi**, Upland, CA (US)

(**) Term: **15 Years**

(21) Appl. No.: **29/640,870**

(22) Filed: **Mar. 16, 2018**

Related U.S. Application Data

(63) Continuation of application No. 29/628,959, filed on Dec. 8, 2017, now Pat. No. Des. 836,809.

(51) **LOC (12) Cl.** **26-06**

(52) **U.S. Cl.**
USPC **D26/28**

(58) **Field of Classification Search**
USPC D26/28-36, 139
CPC F21S 48/00; F21S 48/10; F21S 48/115;
F21S 48/225; F21S 48/1233; F21S
48/1266; F21S 48/1388; F21S 48/2268;
F21V 21/04; F21V 29/004
See application file for complete search history.

(56) **References Cited**

U.S. PATENT DOCUMENTS

D495,814 S	9/2004	James	
D600,838 S	9/2009	Kuboshima	
D607,128 S	12/2009	Wu	
D609,833 S	2/2010	Wu	
D616,124 S *	5/2010	Wu	D26/28
D690,851 S *	10/2013	Lai	D26/28
D690,853 S *	10/2013	Huang	D26/28
D708,373 S	7/2014	Kani	
D711,023 S *	8/2014	Wu	D26/28
D712,576 S	9/2014	Merovitz	
D712,577 S	9/2014	Merovitz	
D712,578 S	9/2014	Merovitz	

D728,138 S	4/2015	Christ	
D737,482 S	8/2015	Kuge	
D739,581 S *	9/2015	Huang	D26/28
D745,717 S	12/2015	Wu	
D745,723 S	12/2015	Yoshida	
D745,986 S	12/2015	Schuenemann	
D746,495 S	12/2015	Schuenemann	
D747,017 S	1/2016	Hanson	
D747,512 S	1/2016	Lai	
D747,516 S	1/2016	Yang	
D747,517 S	1/2016	Lai	

(Continued)

Primary Examiner — Marcus A Jackson

(74) *Attorney, Agent, or Firm* — Eric Kelly

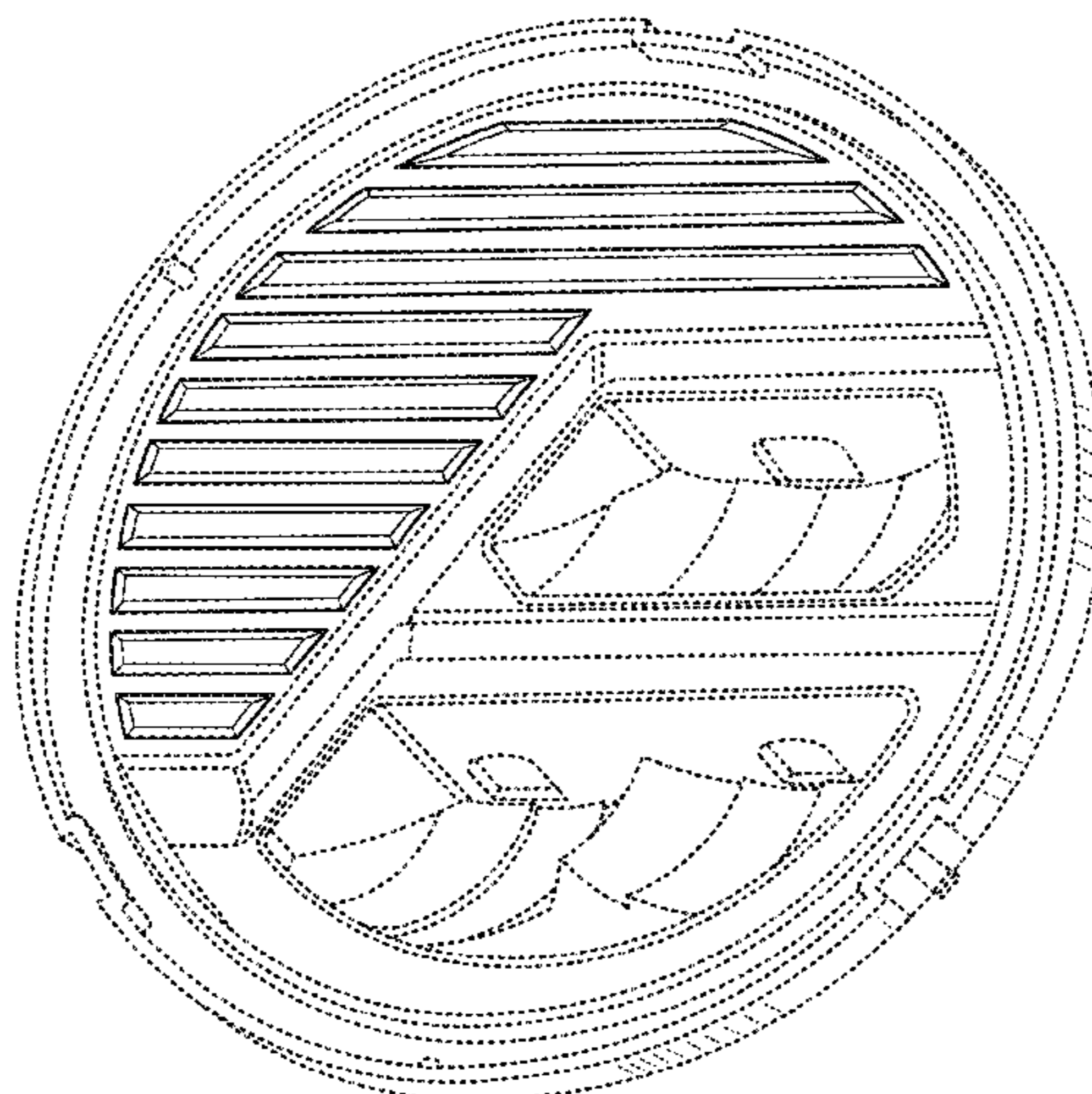
(57) **CLAIM**

What is claimed is the ornamental design for a LED headlight suggesting an eye of a skull, as shown and described herein.

DESCRIPTION

FIG. 1 illustrates a top perspective view of a new and ornamental LED headlight suggesting an eye of a skull, according to one embodiment;
FIG. 2 illustrates a top view thereof;
FIG. 3 illustrates a bottom view thereof;
FIG. 4 illustrates a front view thereof;
FIG. 5 illustrates a back view thereof;
FIG. 6 illustrates a right-side view thereof;
FIG. 7 illustrates a left-side view thereof;
FIG. 8 illustrates a bottom perspective view thereof; and,
FIG. 9 illustrates a right perspective view thereof.
Each view of the LED headlight suggesting the eye of the skull as shown in the figures is that of a right headlight of a vehicle, wherein a left headlight is a mirror image of the right headlight and such mirror images are claimed.
The broken lines in the figures depict portions of the LED headlight suggesting an eye of a skull form no part of the claimed design.

1 Claim, 9 Drawing Sheets



(56)

References Cited

U.S. PATENT DOCUMENTS

D747,518 S	1/2016	Lai
D747,519 S	1/2016	Kim
D747,820 S	1/2016	Sato
D750,815 S	3/2016	Platto
D750,816 S	3/2016	Platto
D750,817 S	3/2016	Lin
D750,818 S	3/2016	Lin
D750,819 S	3/2016	Schneider
D751,737 S	3/2016	Lai
D751,740 S	3/2016	Wolff
D752,254 S	3/2016	Futschik
D752,255 S	3/2016	Futschik
D752,782 S	3/2016	Moessner
D753,323 S	4/2016	George
D754,375 S	4/2016	Vena
D754,891 S	4/2016	Leban
D760,407 S	6/2016	Yang

* cited by examiner

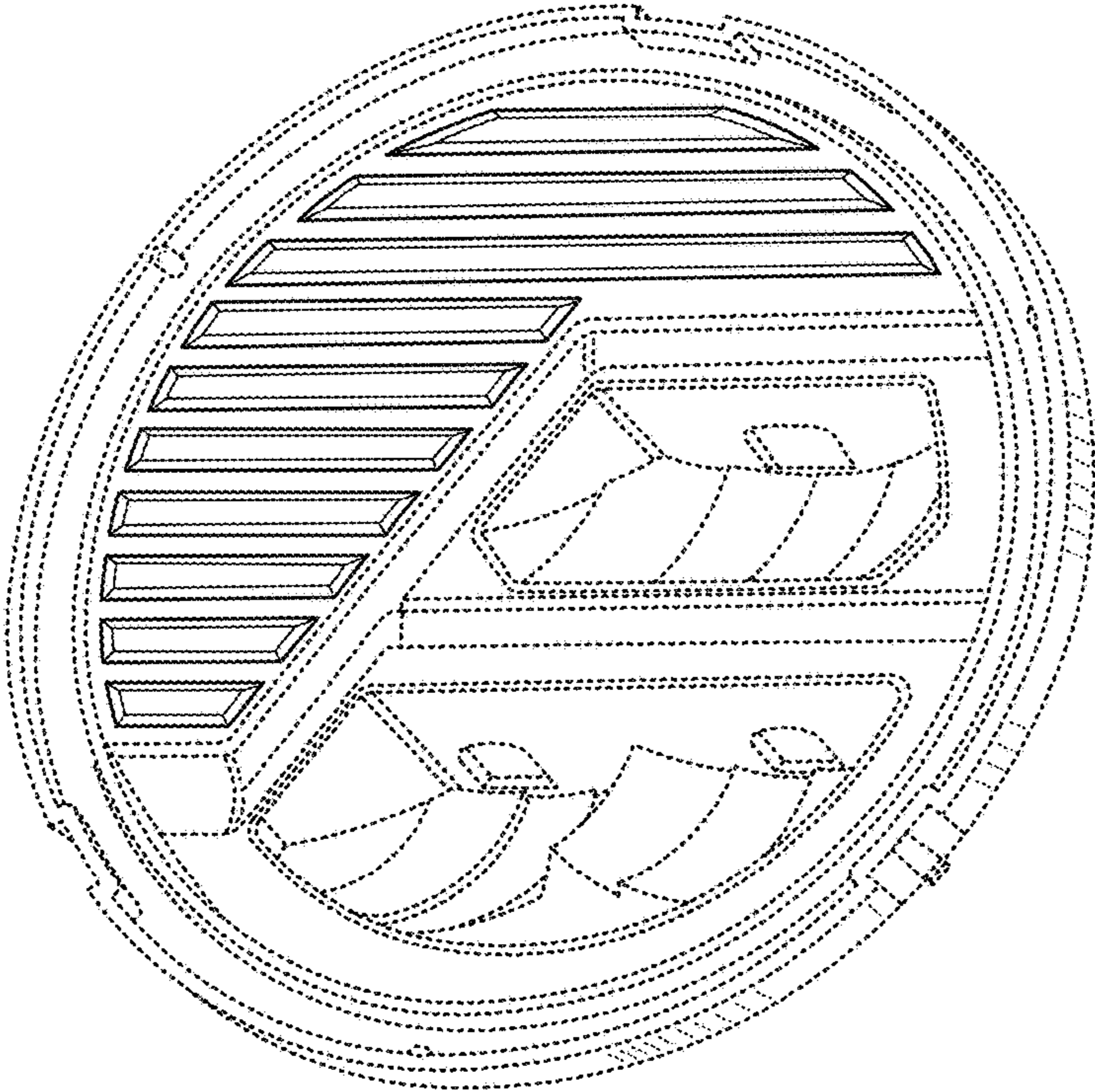


FIG. 1

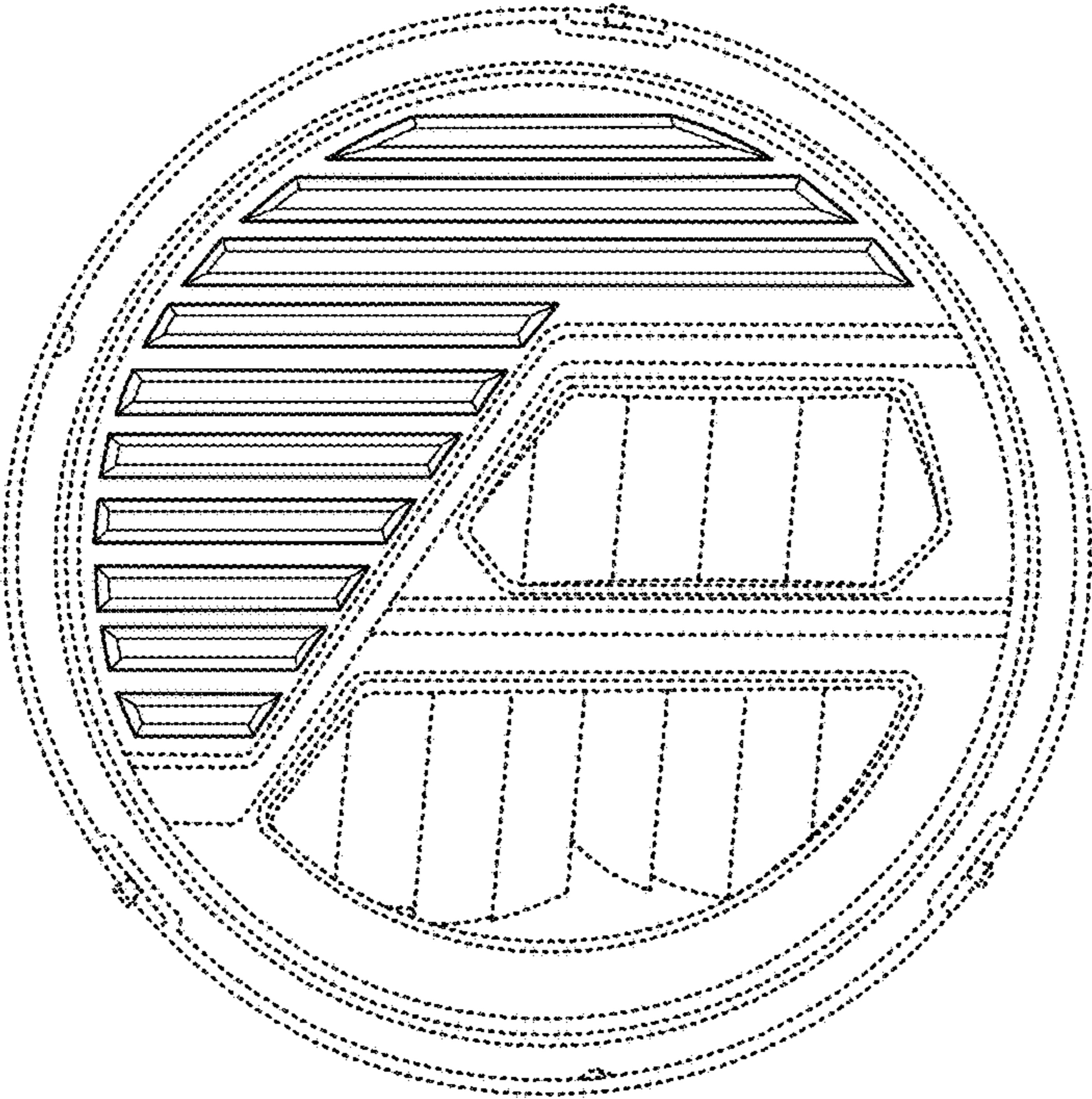


FIG. 2

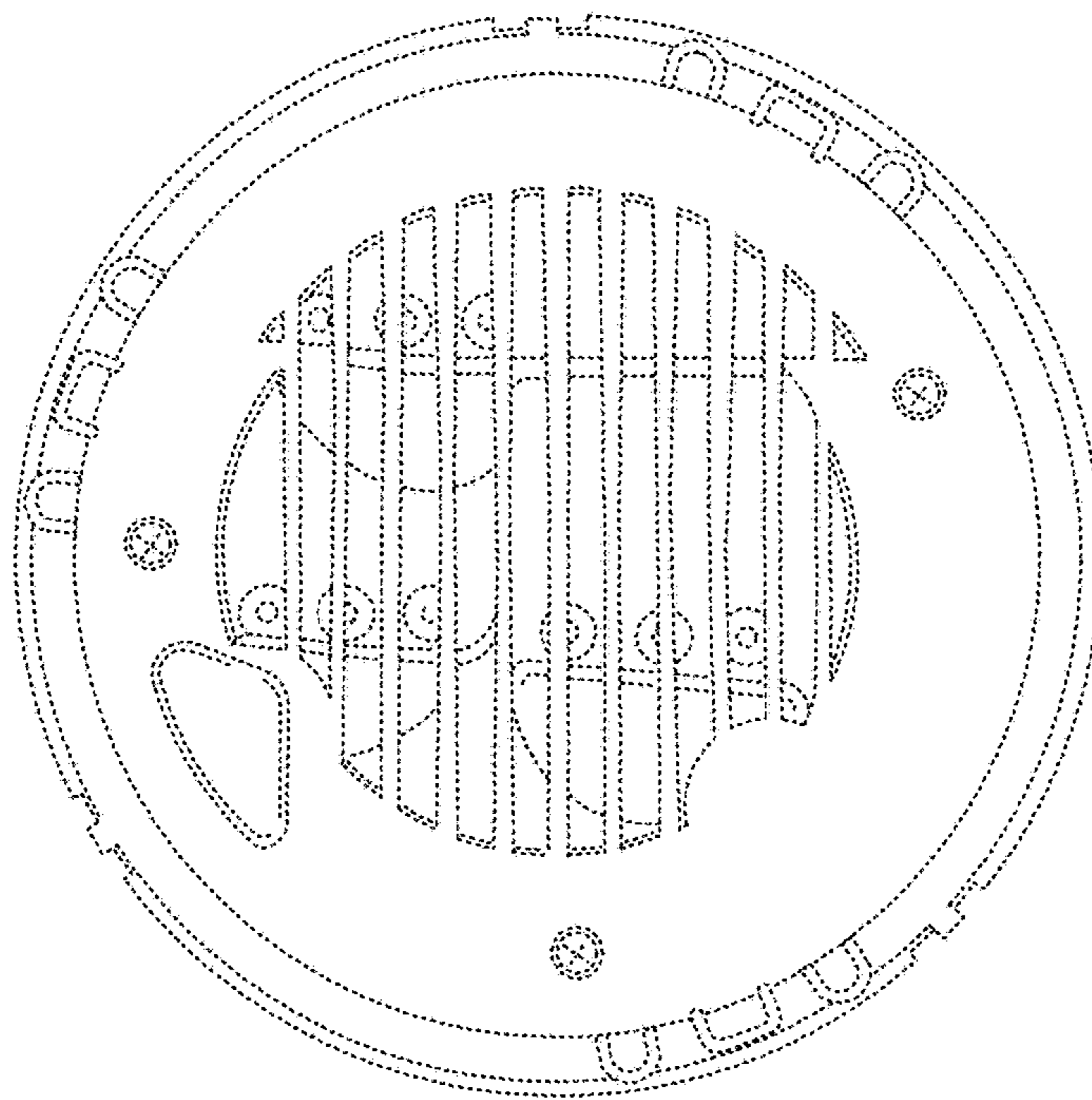


FIG. 3

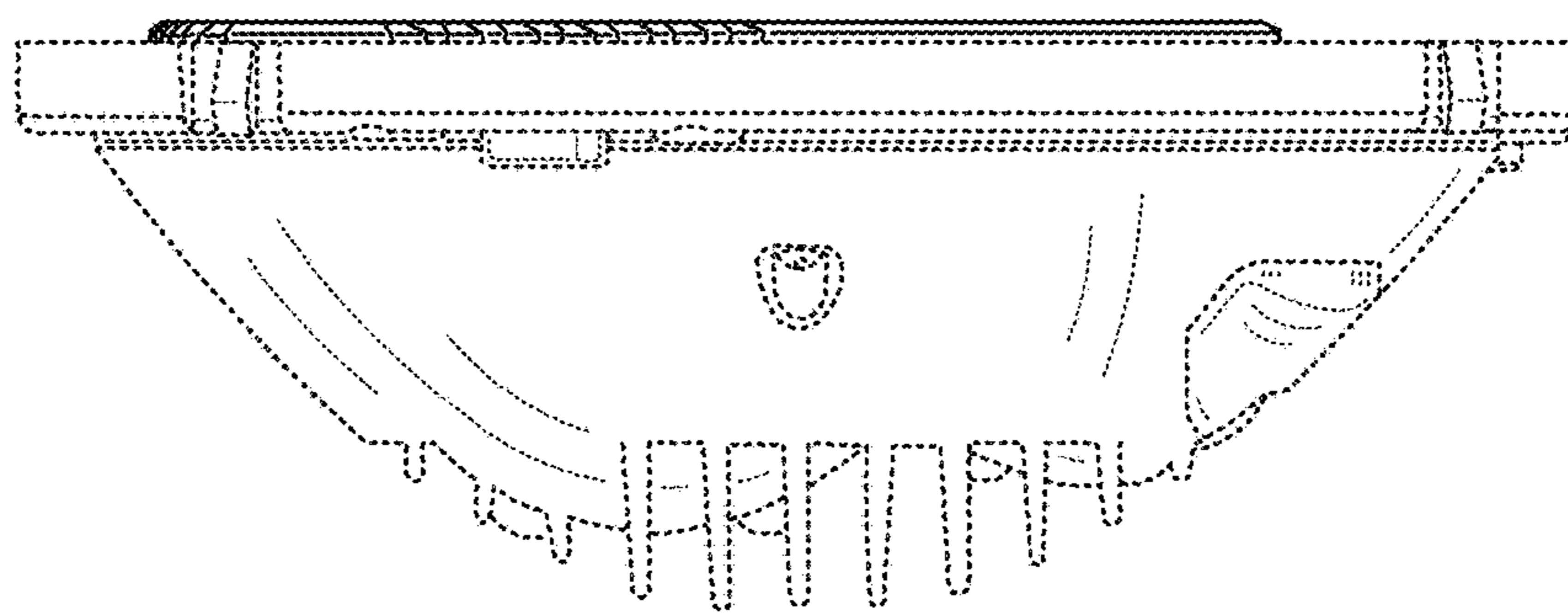


FIG. 4

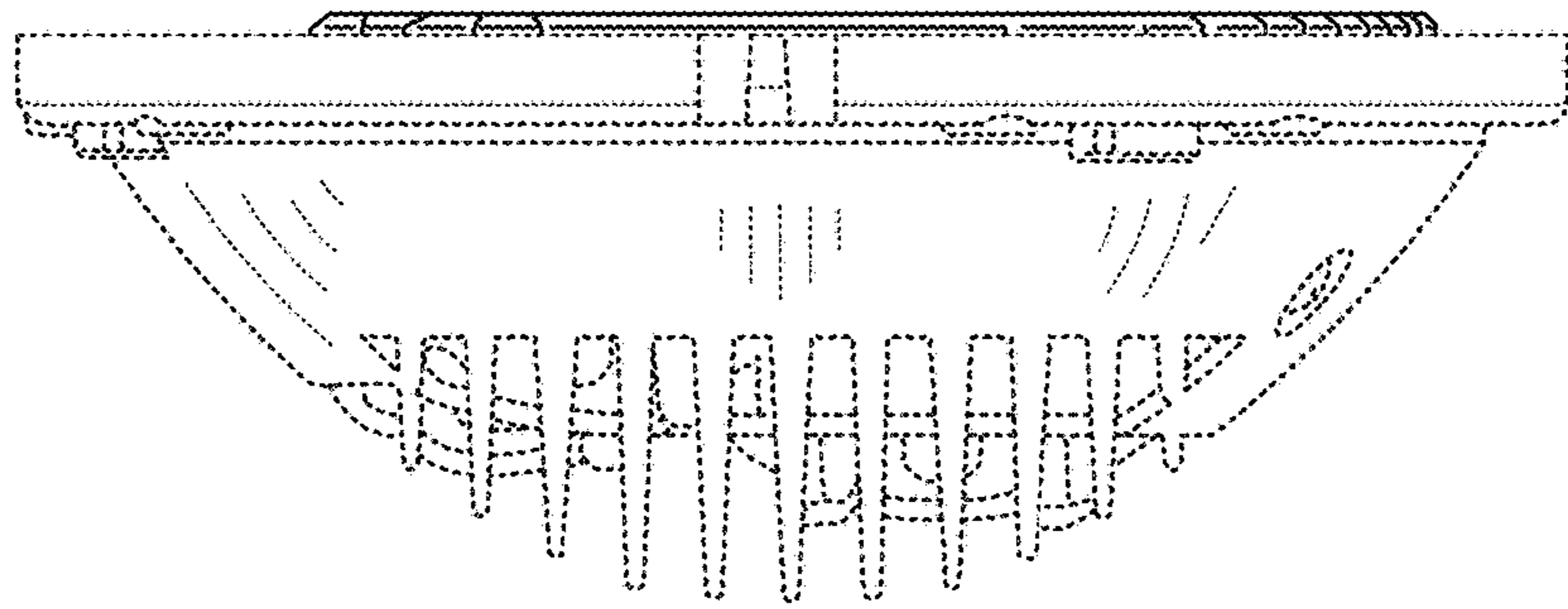


FIG. 5

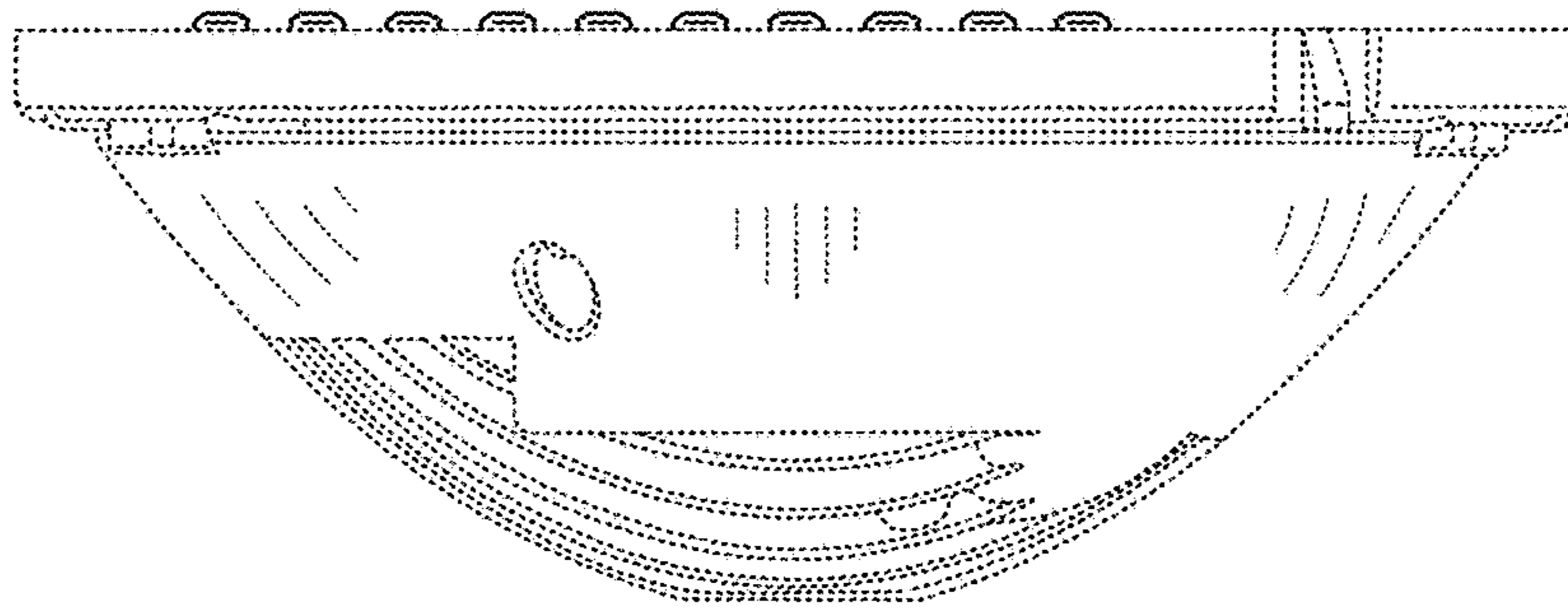


FIG. 6

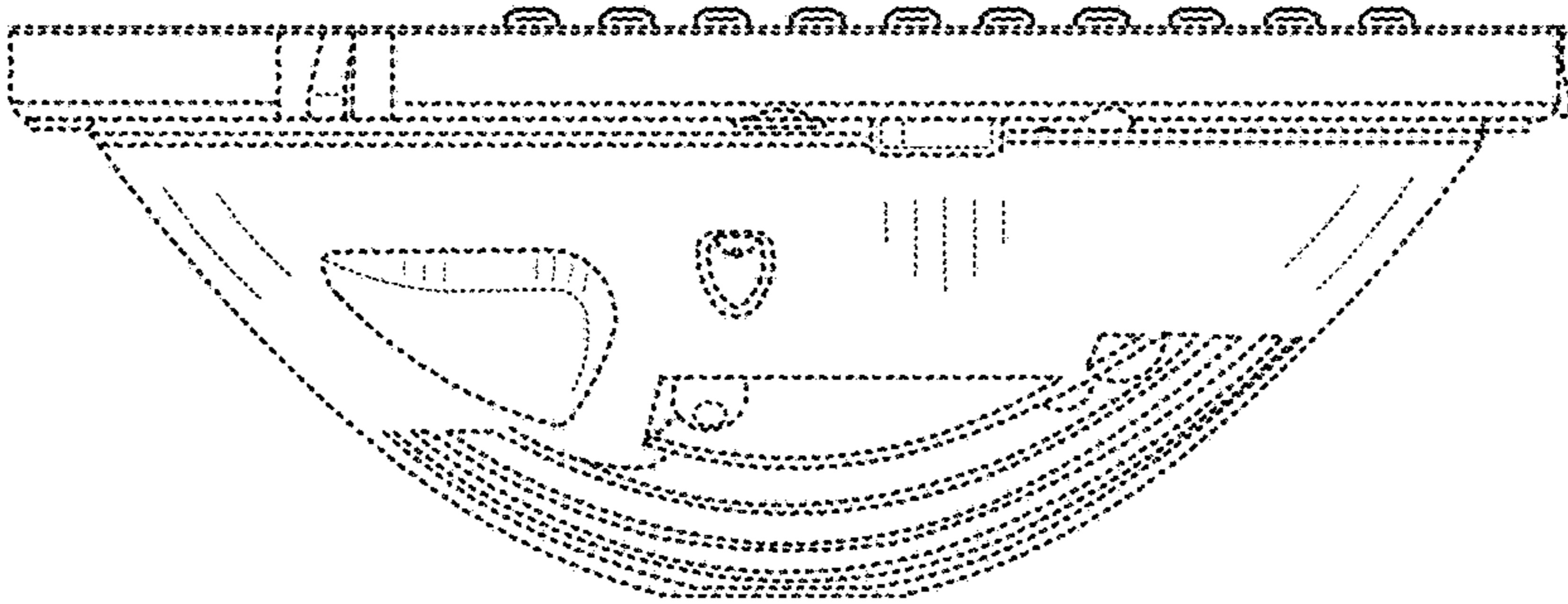


FIG. 7

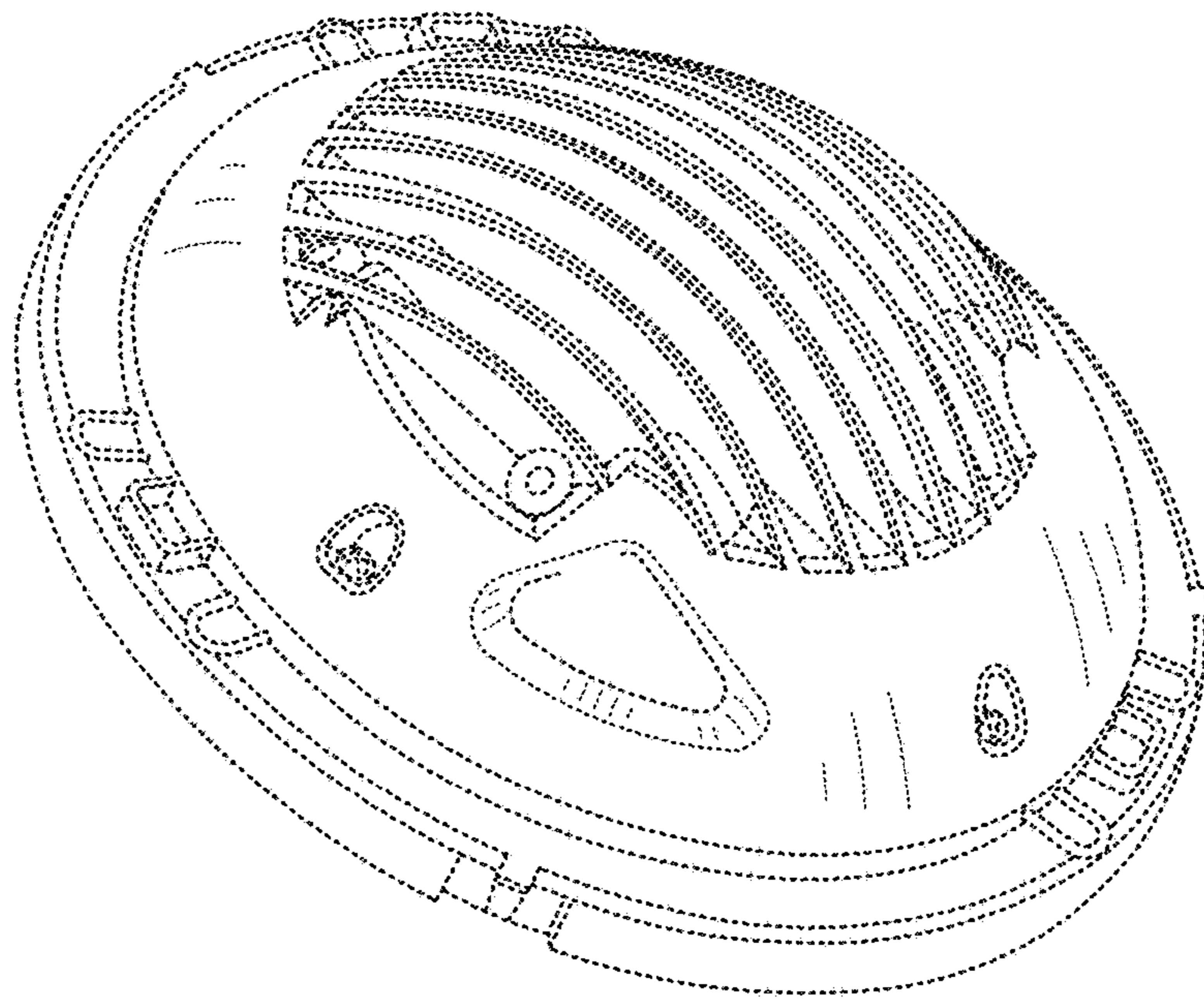


FIG. 8

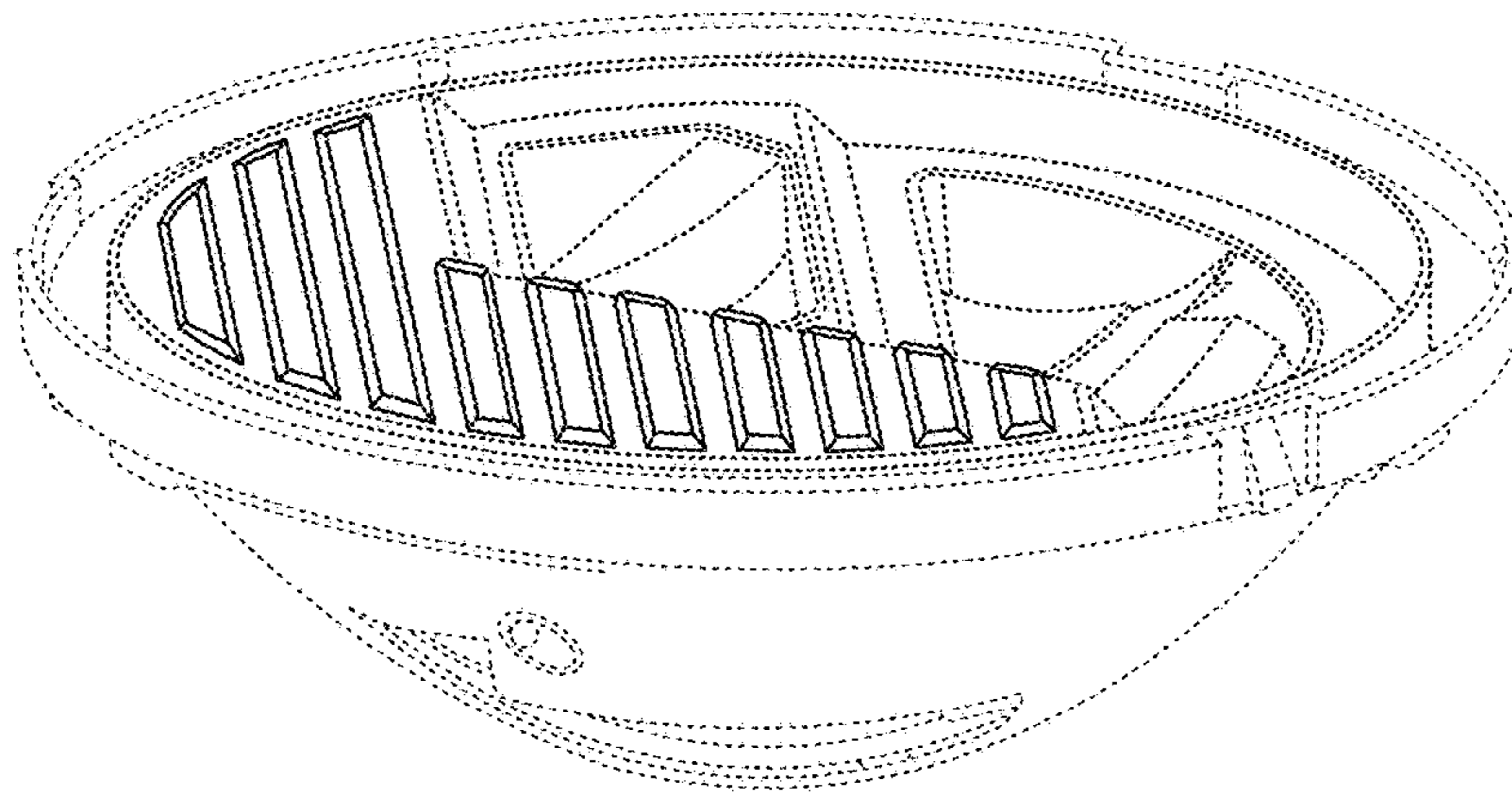


FIG. 9