



US00D863617S

(12) **United States Design Patent**  
**Lindholm**

(10) **Patent No.:** **US D863,617 S**

(45) **Date of Patent:** **\*\* Oct. 15, 2019**

(54) **LED LIGHT**

(71) Applicant: **Janne Lindholm**, Jakobstad (FI)

(72) Inventor: **Janne Lindholm**, Jakobstad (FI)

(73) Assignee: **HERRMANS OY AB**, Pietarsaari (FI)

(\*\*) Term: **15 Years**

(21) Appl. No.: **29/620,918**

(22) Filed: **Aug. 17, 2017**

(30) **Foreign Application Priority Data**

Feb. 17, 2017 (EM) ..... 003757137-0003

(51) **LOC (12) Cl.** ..... **26-06**

(52) **U.S. Cl.**  
USPC ..... **D26/28**; D26/63

(58) **Field of Classification Search**  
USPC ..... D26/24, 28, 63, 66, 67, 74, 118;  
D14/371

CPC ..... F21V 21/30; F21V 29/74; F21V 29/763;  
F21V 5/045; F21V 15/01; F21V 23/007;  
F21V 29/76; F21V 5/048; F21Y 2115/10;  
F21S 45/47

See application file for complete search history.

(56) **References Cited**

**U.S. PATENT DOCUMENTS**

D190,922 S \* 7/1961 Anthony ..... D26/24  
4,527,224 A \* 7/1985 Sangiamo ..... F16M 11/08  
362/269  
D283,925 S \* 5/1986 Sangiamo ..... D26/24  
D300,864 S \* 4/1989 Titmarsh ..... D26/24  
D319,891 S \* 9/1991 Giese ..... D26/24  
5,086,379 A \* 2/1992 Denison ..... F21S 8/081  
248/289.11  
D355,502 S \* 2/1995 Liao ..... D26/63  
D550,880 S \* 9/2007 Korpi ..... D26/63  
D551,372 S \* 9/2007 Korpi ..... D26/63

D564,688 S \* 3/2008 Korpi ..... D26/63  
D564,689 S \* 3/2008 Korpi ..... D26/63  
D573,285 S \* 7/2008 Zettl ..... D26/63  
D606,691 S \* 12/2009 Lindholm ..... D26/63  
D642,717 S \* 8/2011 Lindholm ..... D26/63  
D642,718 S \* 8/2011 Lindholm ..... D26/63  
D642,719 S \* 8/2011 Lindholm ..... D26/63  
D648,479 S \* 11/2011 Herman ..... D26/118  
D693,509 S \* 11/2013 Hosick ..... D26/63  
D697,241 S \* 1/2014 Chen ..... D26/28  
D698,059 S \* 1/2014 Korpi ..... D26/63

(Continued)

**OTHER PUBLICATIONS**

“YouTube—Nordic Lights—Go Series LED Lights—Agriculture.”  
Found online Jan. 2, 2019 at [www.youtube.com](http://www.youtube.com). Video published  
May 15, 2017. Retrieved from URL: [https://www.youtube.com/  
watch?v=7D6gnr5vWjw](https://www.youtube.com/watch?v=7D6gnr5vWjw) (Year: 2017).\*

(Continued)

*Primary Examiner* — Garth Rademaker  
*Assistant Examiner* — Katelin G Kloberg  
(74) *Attorney, Agent, or Firm* — Hoffmann & Baron, LLP

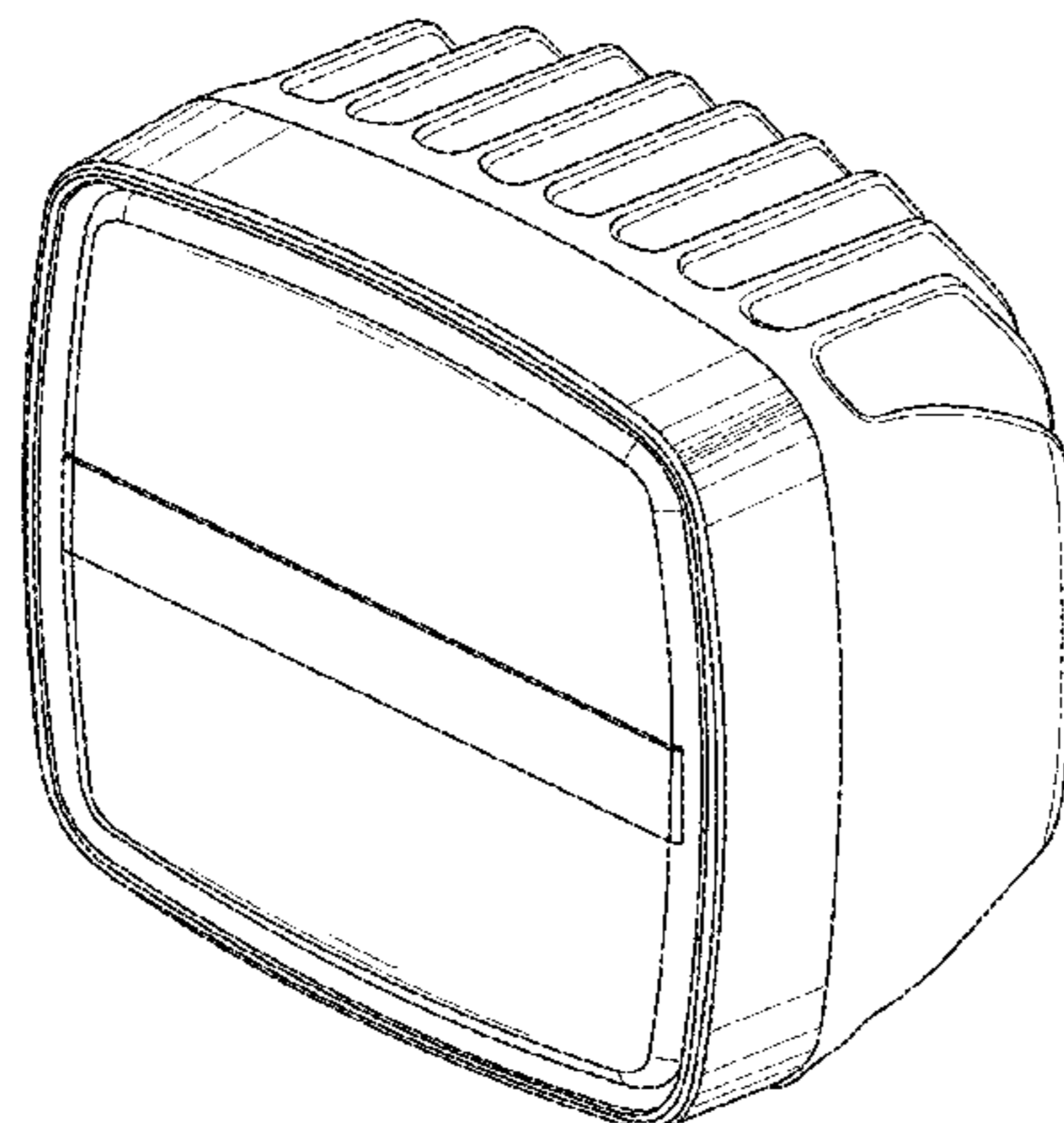
(57) **CLAIM**

The ornamental design for a LED light, as shown and  
described.

**DESCRIPTION**

FIG. 1 is a top, front, left side perspective view of an LED  
light, showing my new design;  
FIG. 2 is a front view thereof;  
FIG. 3 is a rear view thereof;  
FIG. 4 is a left side view thereof;  
FIG. 5 is a right side view thereof;  
FIG. 6 is a bottom view thereof; and,  
FIG. 7 is a top view of the claimed design.  
The broken lines depict portions of the article that form no  
part of the claimed design.

**1 Claim, 4 Drawing Sheets**



(56)

References Cited

U.S. PATENT DOCUMENTS

D698,060	S *	1/2014	Korpi	.....	D26/63
D698,472	S *	1/2014	Korpi	.....	D26/63
D698,473	S *	1/2014	Korpi	.....	D26/63
D698,474	S *	1/2014	Korpi	.....	D26/63
D698,475	S *	1/2014	Korpi	.....	D26/63
D708,778	S *	7/2014	Sibitzky	.....	D26/118
D732,219	S *	6/2015	Adams	.....	D26/63
D734,521	S *	7/2015	Gebhard	.....	D26/63
D739,072	S *	9/2015	Adams	.....	D26/118
D761,482	S *	7/2016	Largent	.....	D26/118
D775,402	S *	12/2016	Sibitzky	.....	D26/118
D775,404	S *	12/2016	Adams	.....	D26/118
9,605,843	B2 *	3/2017	Gebhard	.....	F21V 29/02
D784,599	S *	4/2017	Sibitzky	.....	D26/118
D805,670	S *	12/2017	Madril	.....	D26/63
D827,167	S *	8/2018	Deyaf	.....	D26/28
D833,655	S *	11/2018	Ko	.....	D26/28

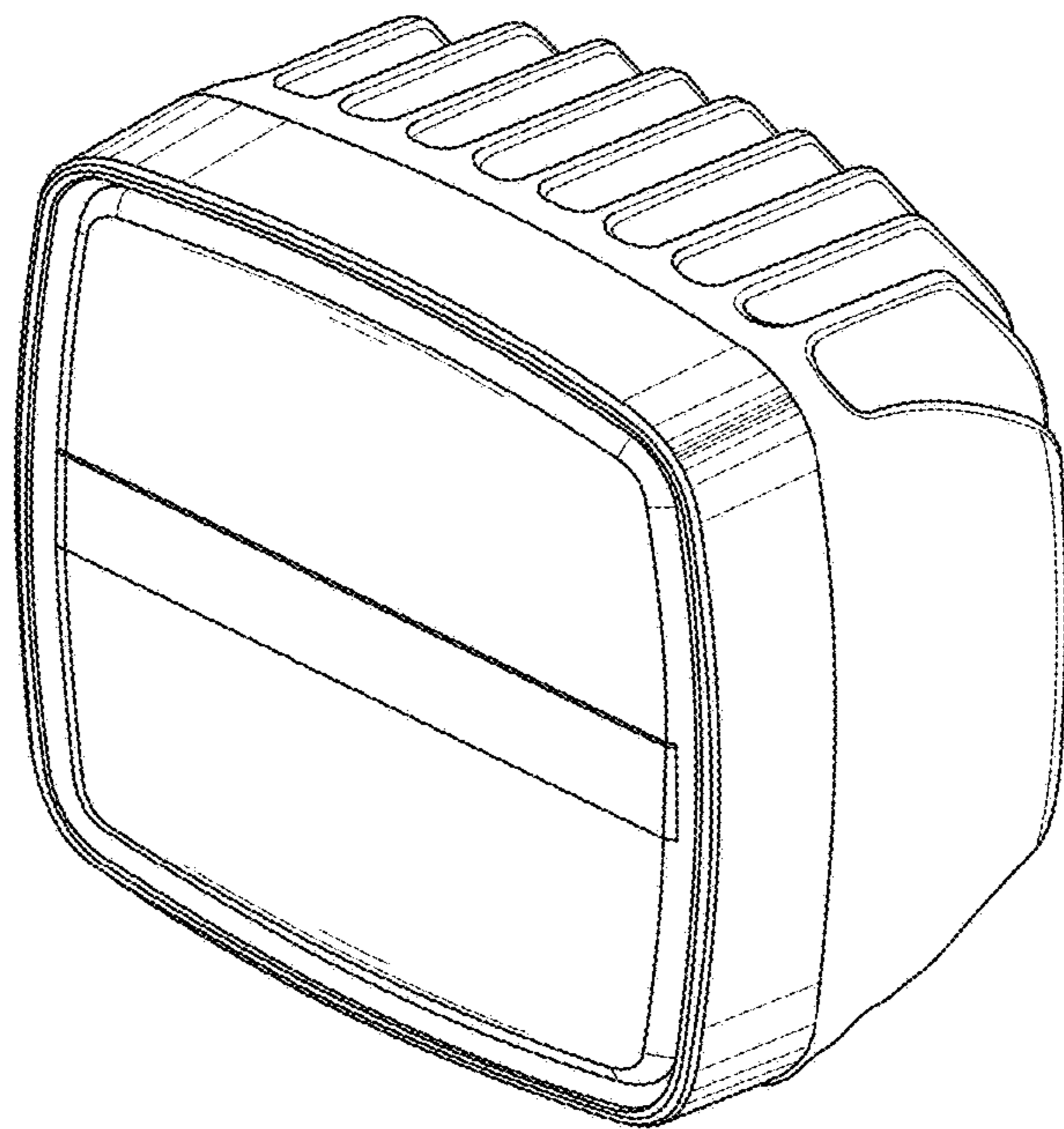
OTHER PUBLICATIONS

“Turbo SII Led Light Bar.” Found online Jan. 2, 2019 at [www.amazon.com](http://www.amazon.com). Page dated Mar. 23, 2015. Retrieved from URL: [https://www.amazon.com/Tractor-Reverse-Wheeler-Polaris-motorcycle/dp/B00V2VF86W/ref=sr\\_1\\_12\\_sspa?ie=UTF8&qid=1546451612&sr=8-12-spons&keywords=led+work+light+for+vehicle&psc=1](https://www.amazon.com/Tractor-Reverse-Wheeler-Polaris-motorcycle/dp/B00V2VF86W/ref=sr_1_12_sspa?ie=UTF8&qid=1546451612&sr=8-12-spons&keywords=led+work+light+for+vehicle&psc=1) (Year: 2015).\*

“Blazer CWL535 LED Square Magnetic Work Light.” Found online Jan. 2, 2019 at [www.amazon.com](http://www.amazon.com). Page dated Jan. 3, 2012. Retrieved from URL: [https://www.amazon.com/Blazer-CWL535-Square-Magnetic-Light/dp/B006STTM9C/ref=sr\\_1\\_13?s=hi&ie=UTF8&qid=1546452200&sr=1-13&keywords=LED+tractor+light](https://www.amazon.com/Blazer-CWL535-Square-Magnetic-Light/dp/B006STTM9C/ref=sr_1_13?s=hi&ie=UTF8&qid=1546452200&sr=1-13&keywords=LED+tractor+light) (Year: 2012).\*

“TMH 48w Square Shape 30 Degree LED Work Light.” Found online Jan. 2, 2019 at [www.amazon.com](http://www.amazon.com). Page dated Jul. 18, 2013. Retrieved from URL: [https://www.amazon.com/30-Motorbike-Motorcycle-Excavator-Bulldozer/dp/B00E1HX8HK/ref=sr\\_1\\_26?s=hi&ie=UTF8&qid=1546452200&sr=1-26&keywords=LED+tractor+light](https://www.amazon.com/30-Motorbike-Motorcycle-Excavator-Bulldozer/dp/B00E1HX8HK/ref=sr_1_26?s=hi&ie=UTF8&qid=1546452200&sr=1-26&keywords=LED+tractor+light) (Year: 2013).\*

\* cited by examiner



*FIG. 1*

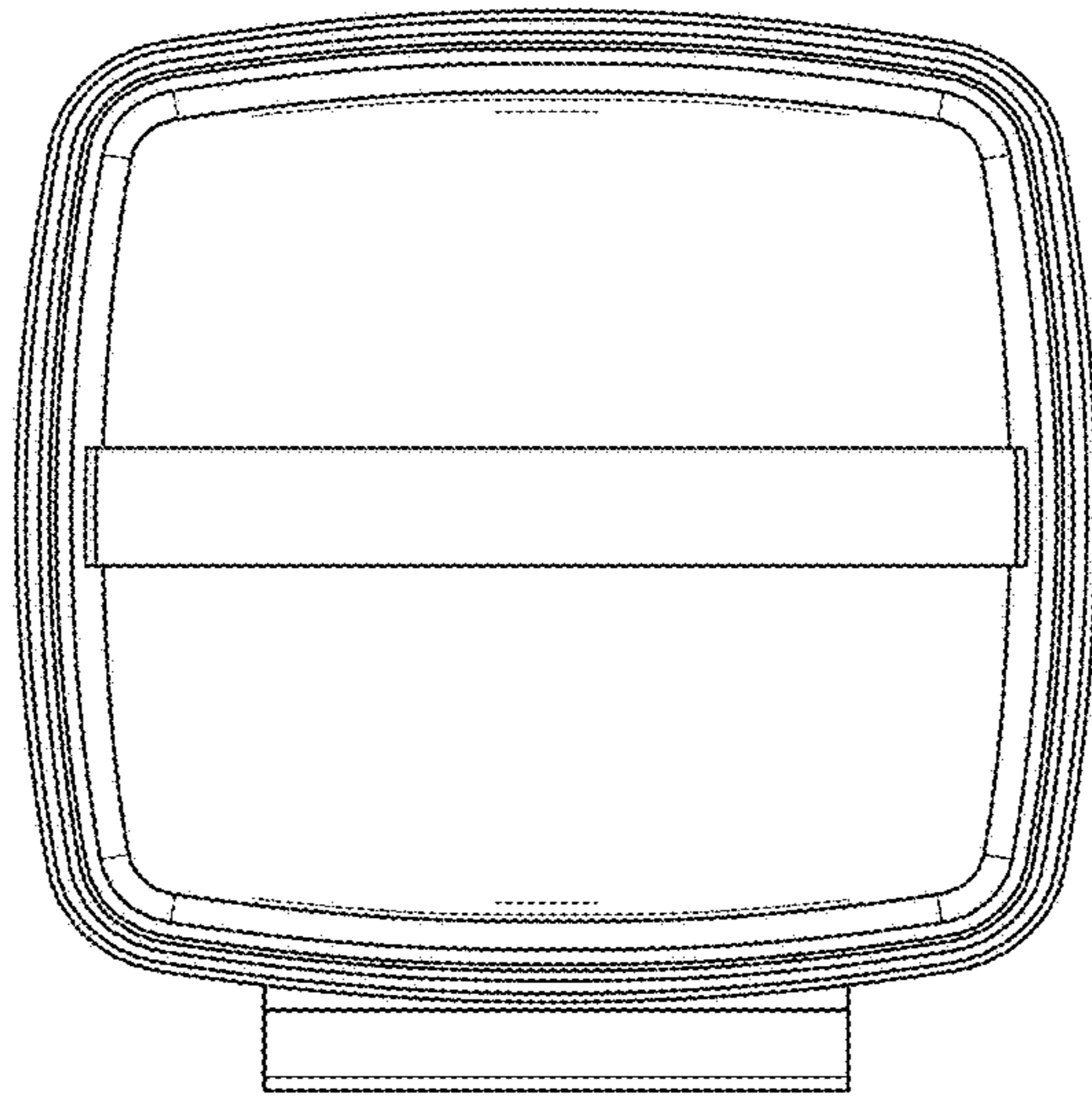


FIG. 2

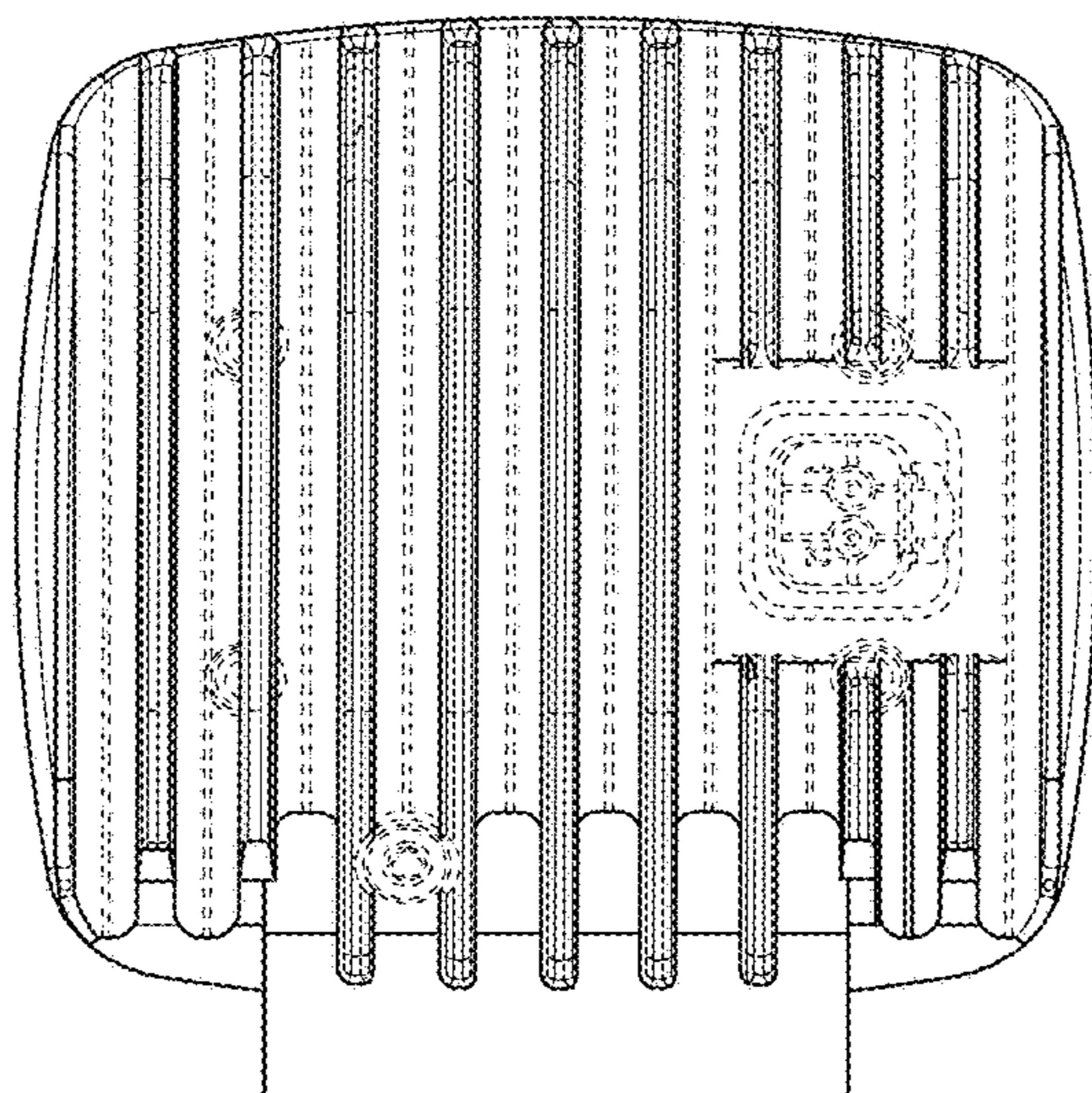
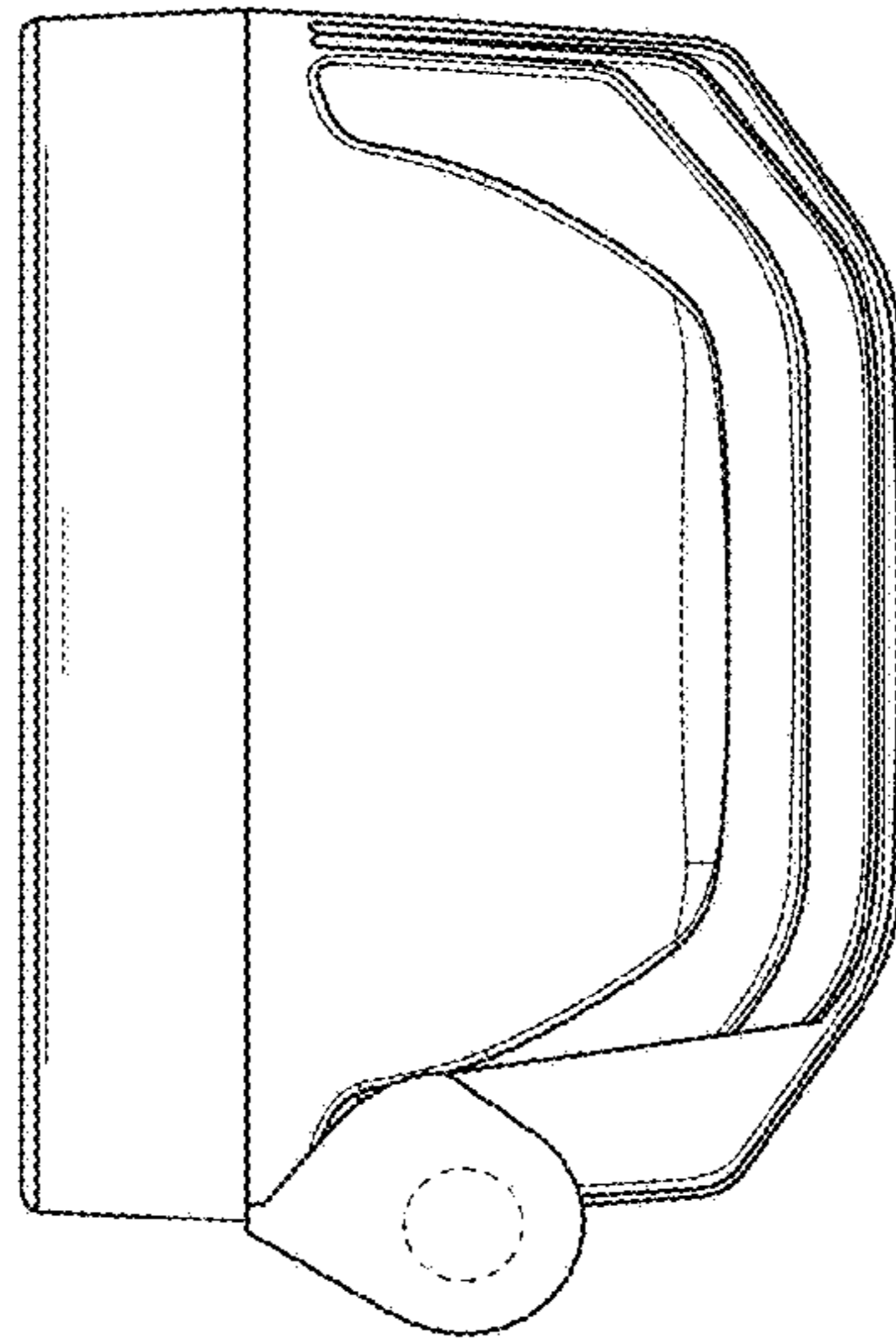
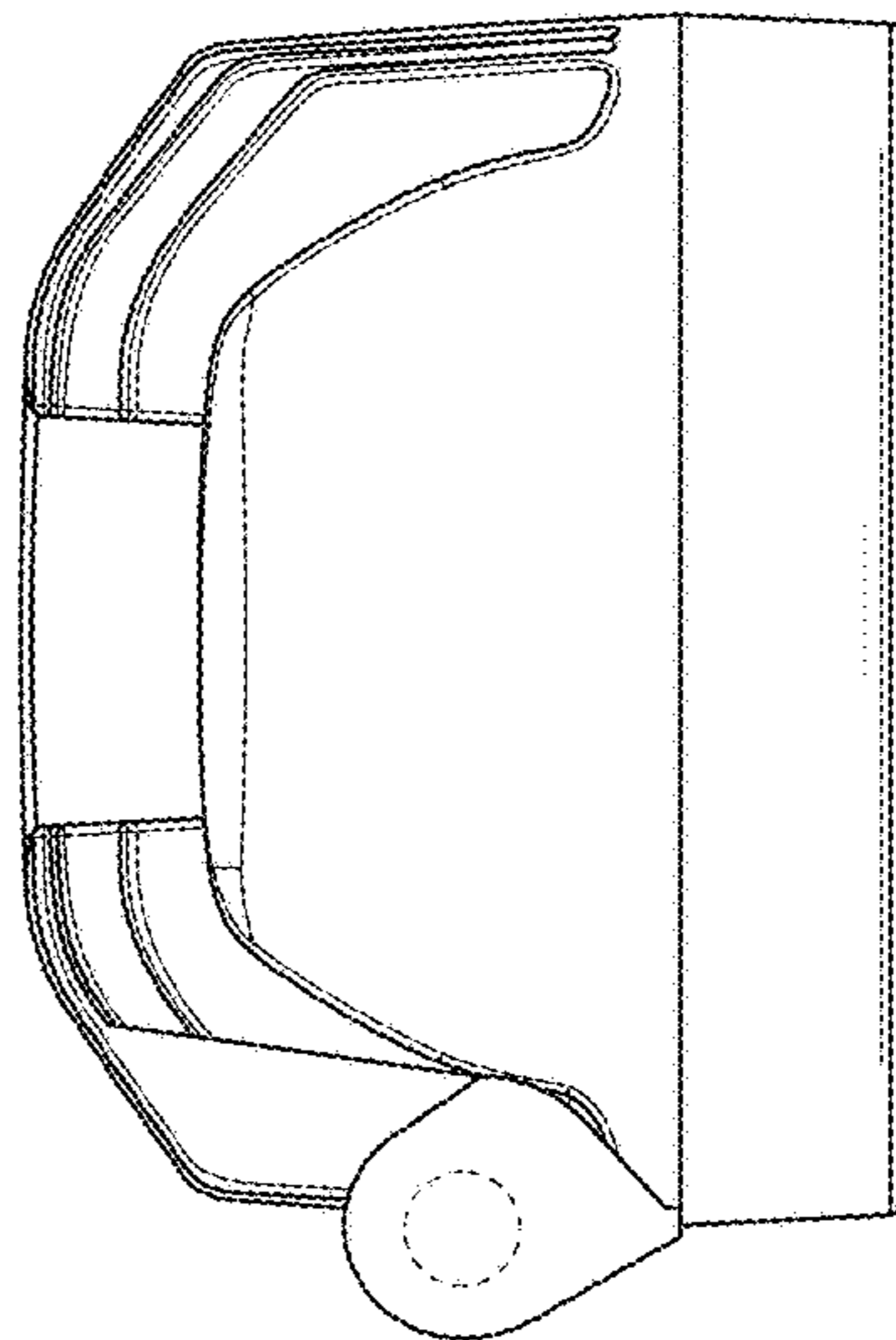


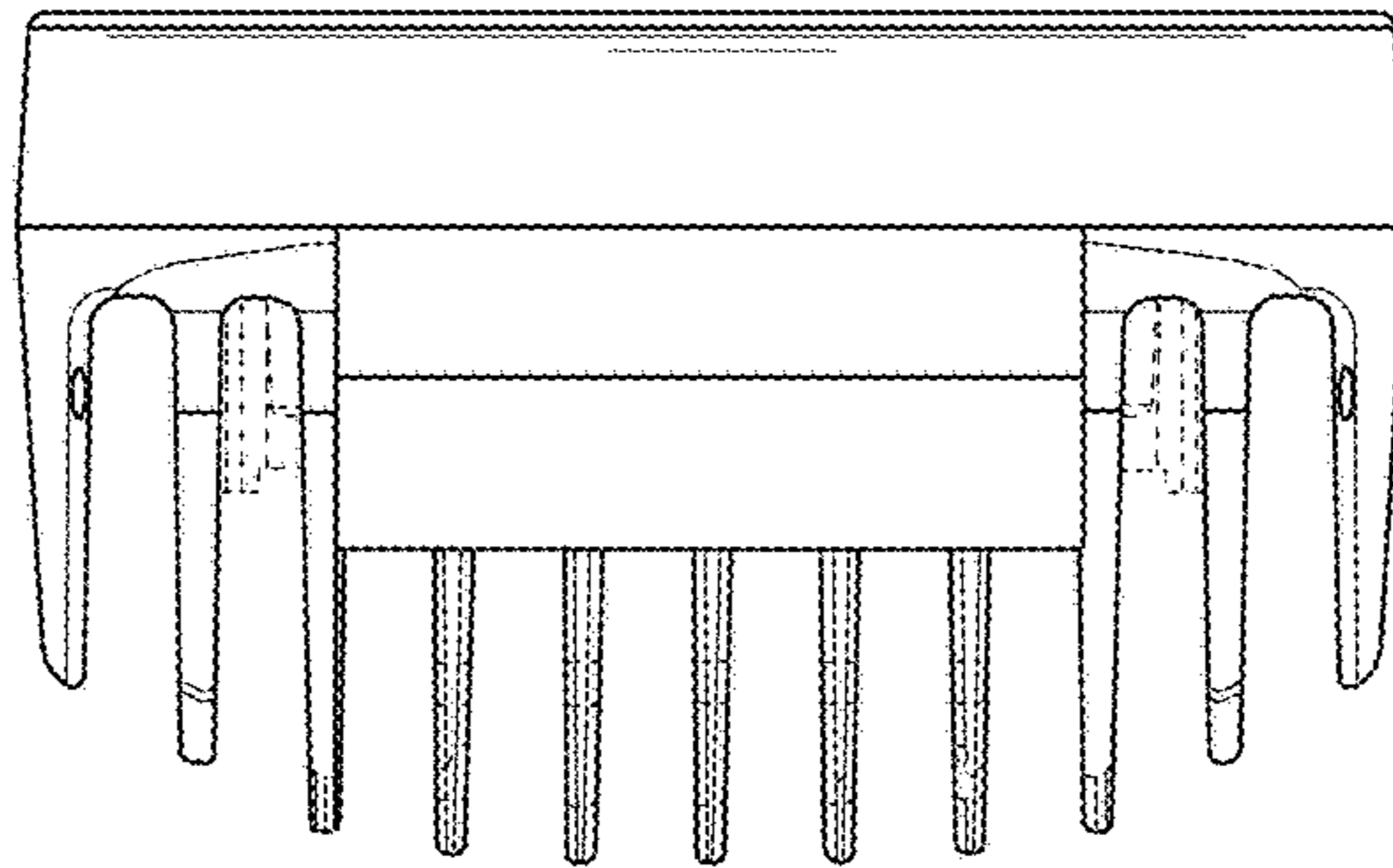
FIG. 3



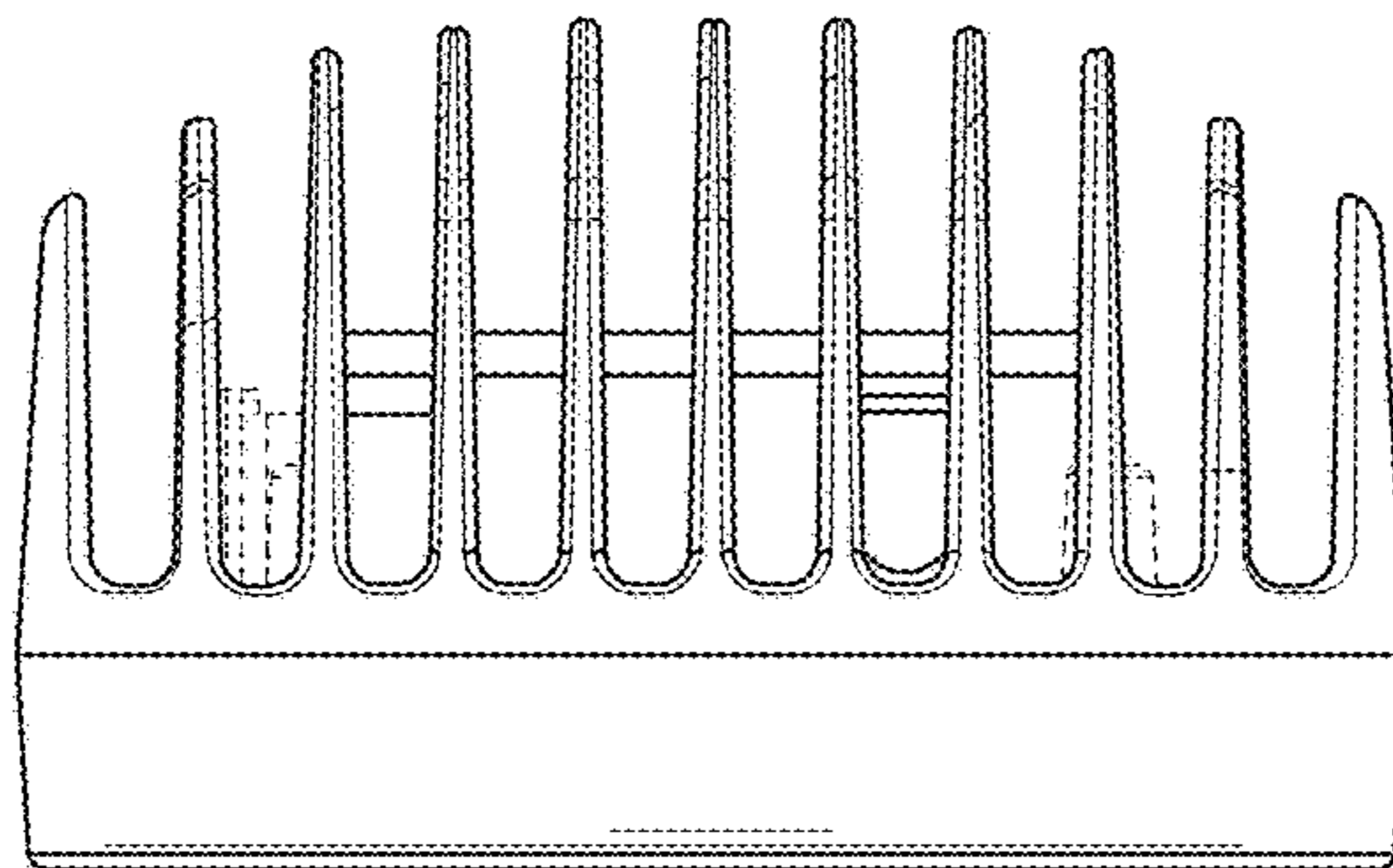
*FIG. 4*



*FIG. 5*



*FIG. 6*



*FIG. 7*