



US00D863614S

(12) **United States Design Patent**  
**Renvall**

(10) **Patent No.:** **US D863,614 S**

(45) **Date of Patent:** **\*\* Oct. 15, 2019**

(54) **LED LIGHT**

(71) Applicant: **Anders Renvall**, Nykarleby (FI)

(72) Inventor: **Anders Renvall**, Nykarleby (FI)

(73) Assignee: **HERRMANS OY AB**, Pietarsaari (FI)

(\*\*) Term: **15 Years**

(21) Appl. No.: **29/620,915**

(22) Filed: **Aug. 17, 2017**

(30) **Foreign Application Priority Data**

Feb. 17, 2017 (EM) ..... 003757137-0006

(51) **LOC (12) Cl.** ..... **26-06**

(52) **U.S. Cl.**  
USPC ..... **D26/28; D26/63**

(58) **Field of Classification Search**  
USPC ..... D26/24, 28, 63, 66, 67, 74, 118;  
D14/371  
CPC ..... F21V 21/30; F21V 29/74; F21V 29/763;  
F21V 5/045; F21V 15/01; F21V 23/007;  
F21V 29/76; F21V 5/048; F21Y 2115/10;  
F21S 45/47

See application file for complete search history.

(56) **References Cited**

**U.S. PATENT DOCUMENTS**

D688,399 S \* 8/2013 Adams ..... D26/28  
D694,928 S \* 12/2013 Chen ..... D26/63  
D698,477 S \* 1/2014 Korpi ..... D26/63  
D735,908 S \* 8/2015 Ko ..... D26/28  
D736,443 S \* 8/2015 Weyse ..... D26/63  
D737,482 S \* 8/2015 Kuge ..... D26/28  
D739,064 S \* 9/2015 Heiner ..... D26/63  
D747,516 S \* 1/2016 Yang ..... D26/28

D748,831 S \* 2/2016 Fan ..... D26/28  
D754,891 S \* 4/2016 Leban ..... D26/28  
D766,473 S \* 9/2016 Riedel ..... D26/28  
D780,357 S \* 2/2017 Kliegl ..... D26/63  
D788,334 S \* 5/2017 Jacq ..... D26/28  
D799,080 S \* 10/2017 Dennis ..... D26/28  
D810,973 S \* 2/2018 Jacq ..... D26/28  
D827,883 S \* 9/2018 Deyaf ..... D26/28  
2007/0076413 A1 \* 4/2007 Mingozi ..... F21V 29/004  
362/249.01

**OTHER PUBLICATIONS**

“YouTube—Nordic Lights—Go Series LED Lights—Agriculture.”  
Found online Jan. 2, 2019 at [www.youtube.com](http://www.youtube.com). Video published  
May 15, 2017. Retrieved from URL: [https://www.youtube.com/  
watch?v=7D6gnr5vWjw](https://www.youtube.com/watch?v=7D6gnr5vWjw) (Year: 2017).\*

(Continued)

*Primary Examiner* — Garth Rademaker

*Assistant Examiner* — Katelin G Kloberg

(74) *Attorney, Agent, or Firm* — Hoffmann & Baron, LLP

(57) **CLAIM**

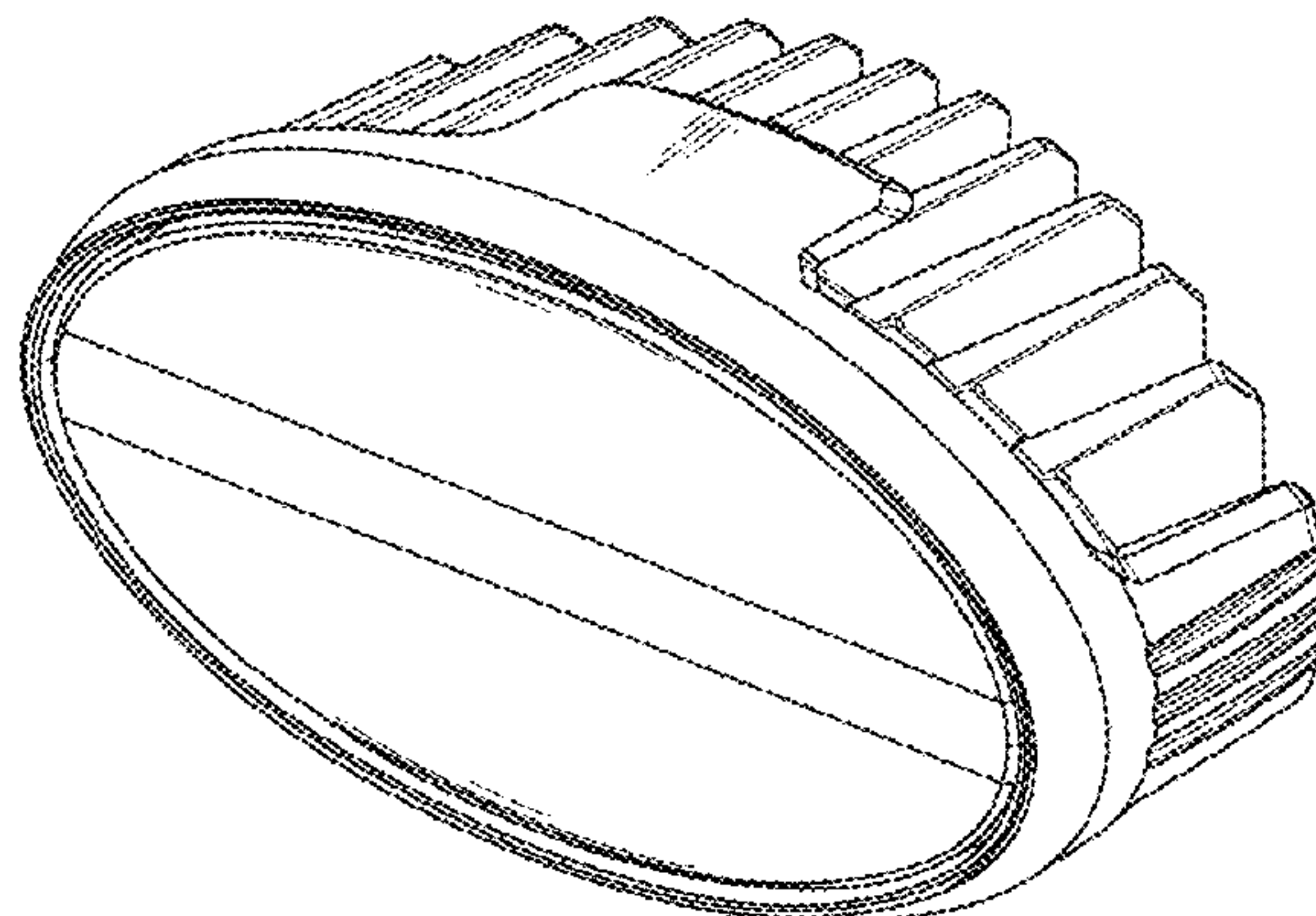
The ornamental design for a LED light, as shown and  
described.

**DESCRIPTION**

FIG. 1 is a top, front, left side perspective view of an LED  
light, showing my new design;  
FIG. 2 is a front view thereof;  
FIG. 3 is a rear view thereof;  
FIG. 4 is a right side view thereof;  
FIG. 5 is a left side view thereof;  
FIG. 6 is a bottom view thereof; and,  
FIG. 7 is a top view of the claimed design.

The broken lines depict portions of the article that form no  
part of the claimed design.

**1 Claim, 4 Drawing Sheets**



(56)

**References Cited**

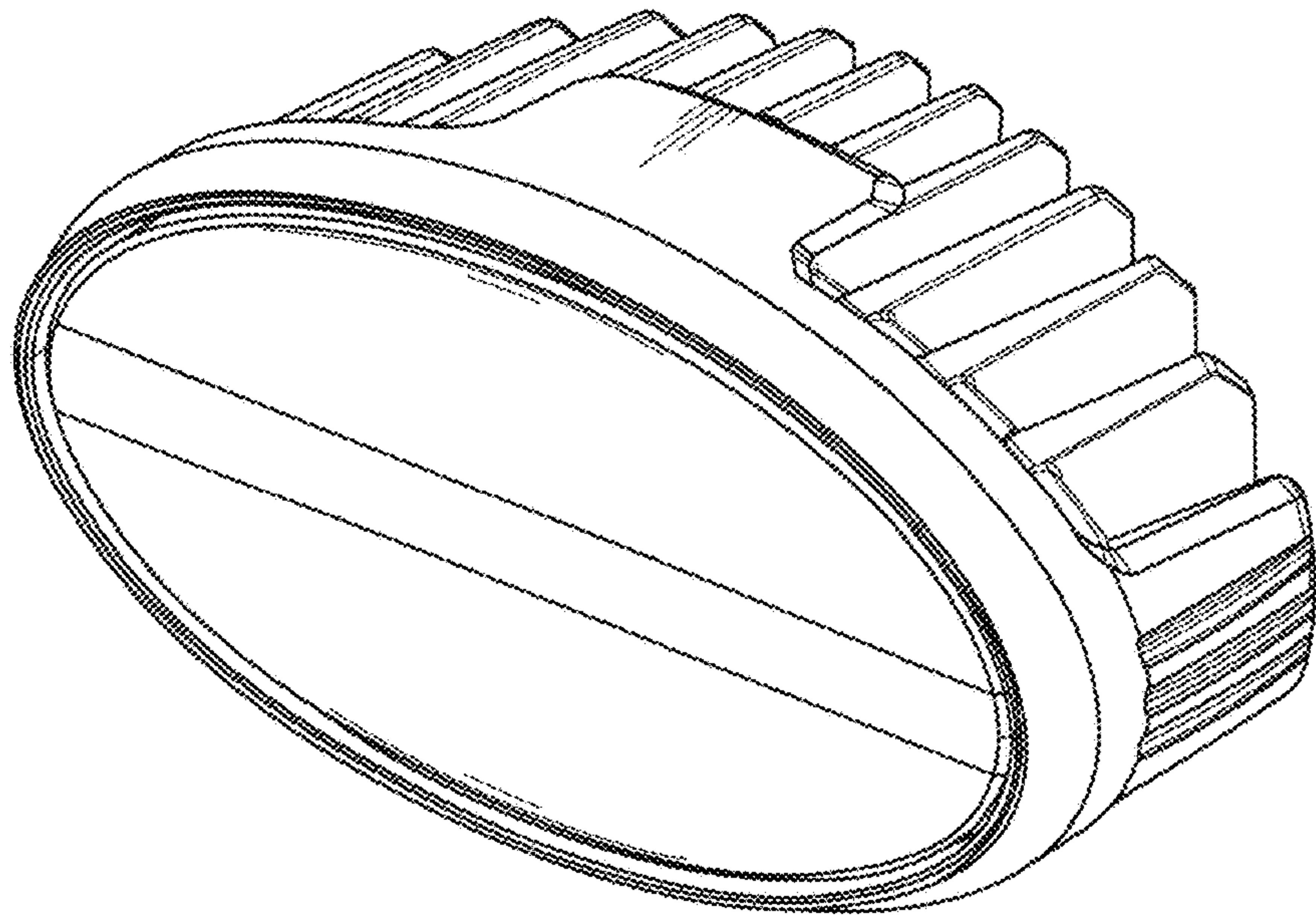
OTHER PUBLICATIONS

“6KLED 3.5inch 18W Off Road Round LED Work Light.” Found online Jan. 18, 2019 at [www.amazon.com](http://www.amazon.com). Page dated Mar. 10, 2016. Retrieved from URL: <https://www.amazon.com/6KLED-Automotive-Motorcycle-Bowfishing-Auxiliary/dp/B01CTG55TI> (Year: 2016).\*

“4.5inch Round LED Off Road Lights.” Found online Jan. 18, 2019 at [www.amazon.com](http://www.amazon.com). Page dated Jan. 5, 2017. Retrieved from URL: <https://tinyurl.com/ybzzqokc> (Year: 2017).\*

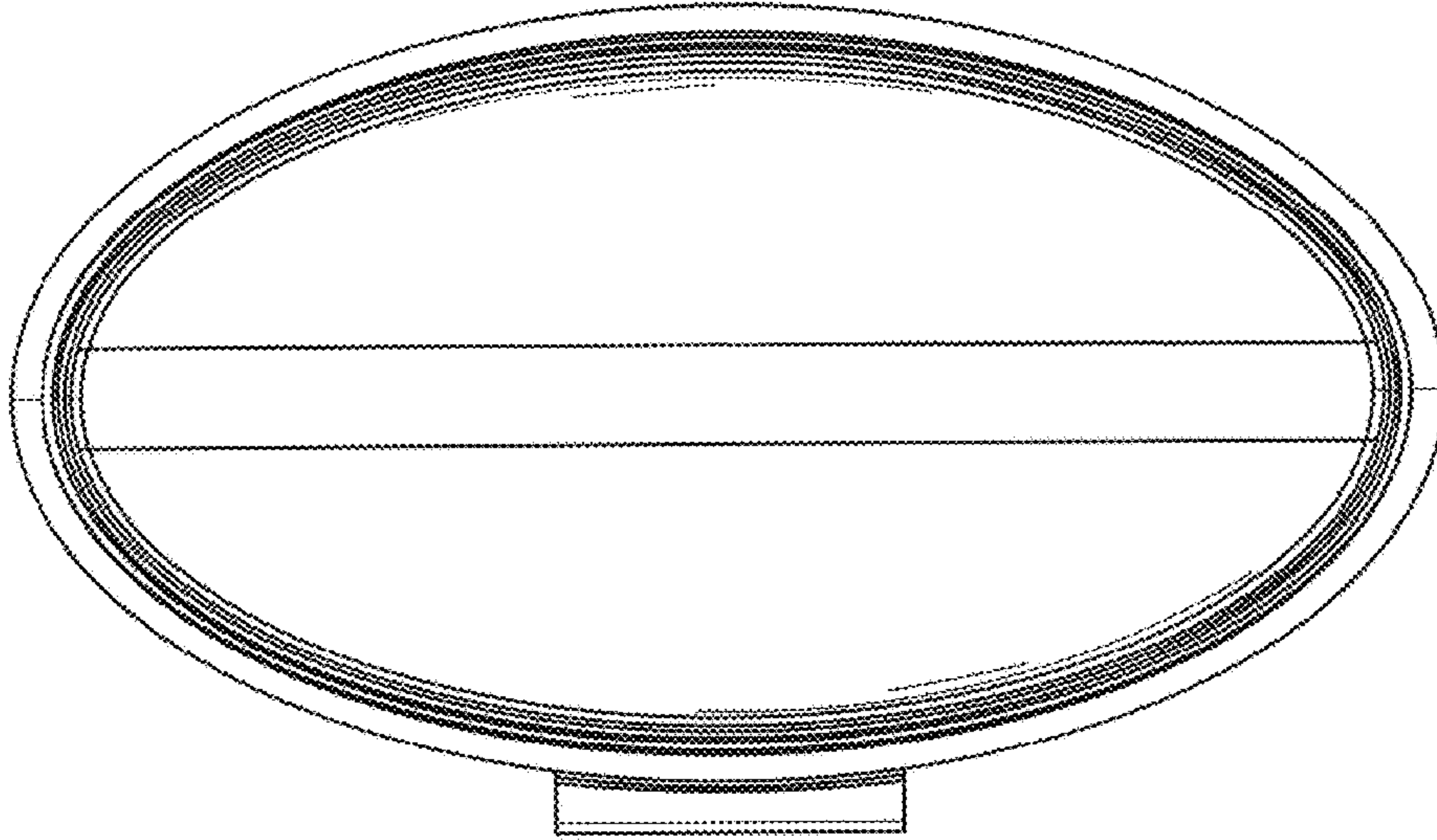
“LED Pods.” Found online Jan. 18, 2019 at [www.amazon.com](http://www.amazon.com). Page dated Jun. 11, 2018. Retrieved from URL: [https://www.amazon.com/dp/B07G91BY56/ref=sspa\\_dk\\_detail\\_8?psc=1](https://www.amazon.com/dp/B07G91BY56/ref=sspa_dk_detail_8?psc=1) (Year: 2018).\*

\* cited by examiner

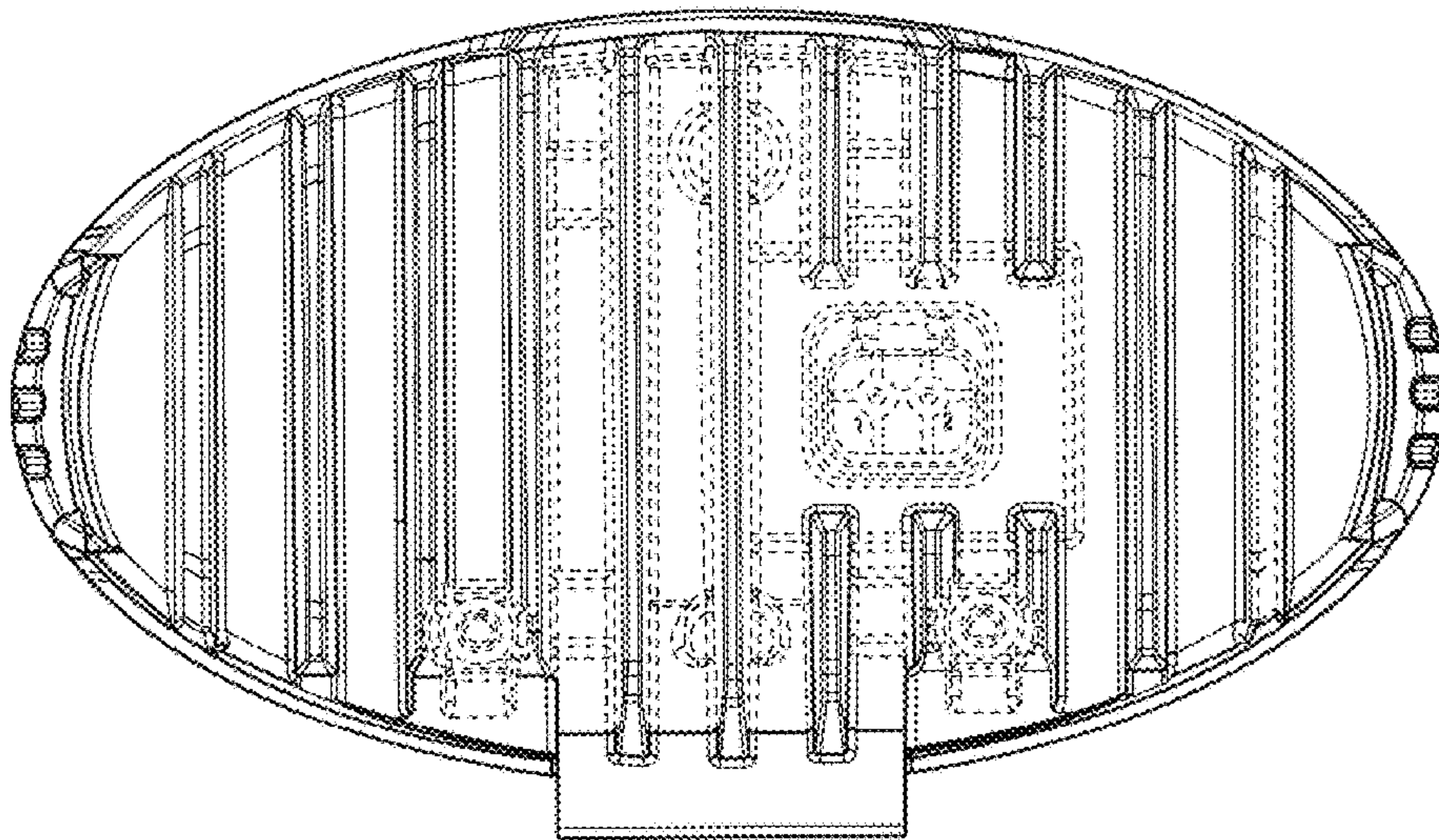


*FIG. 1*

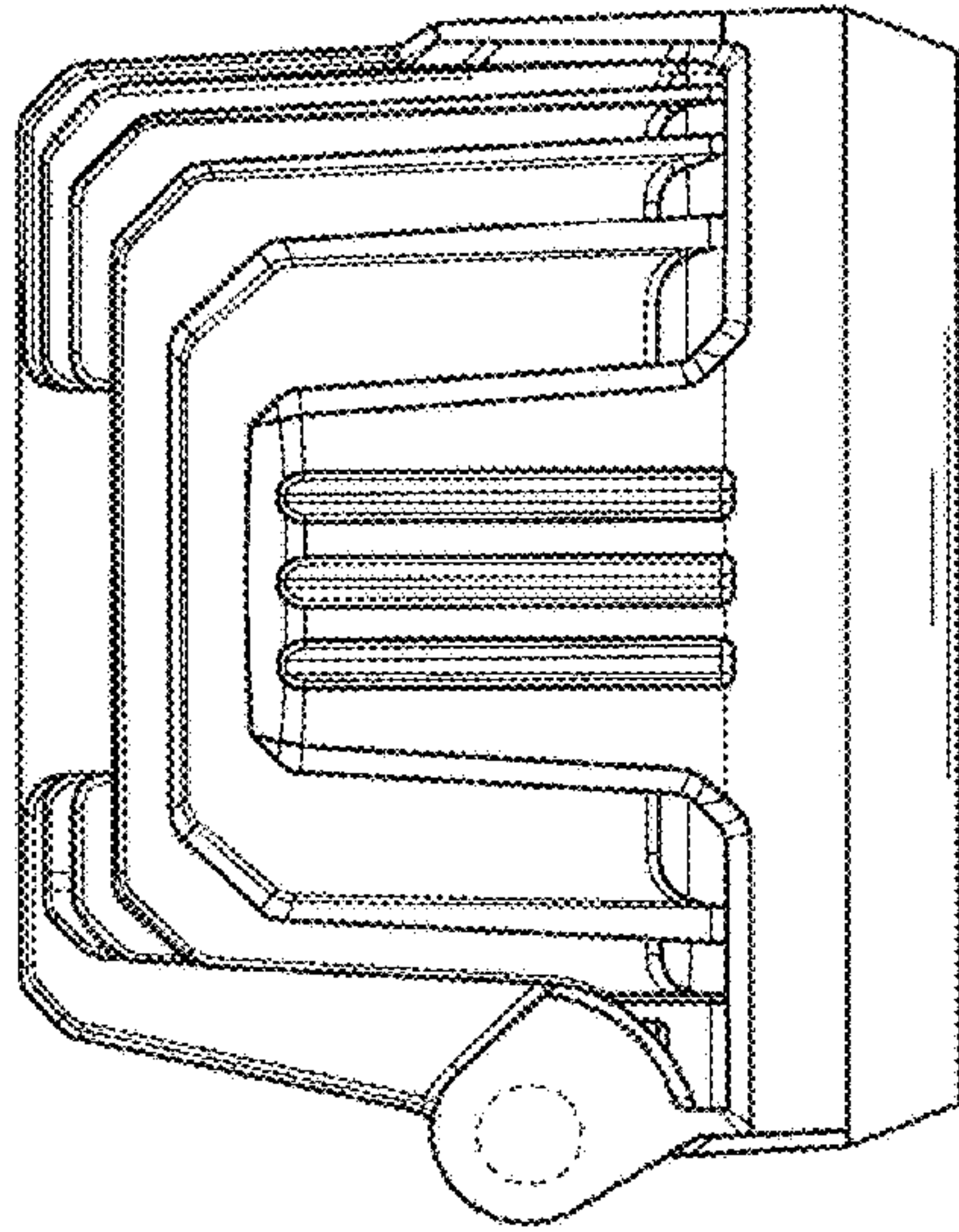




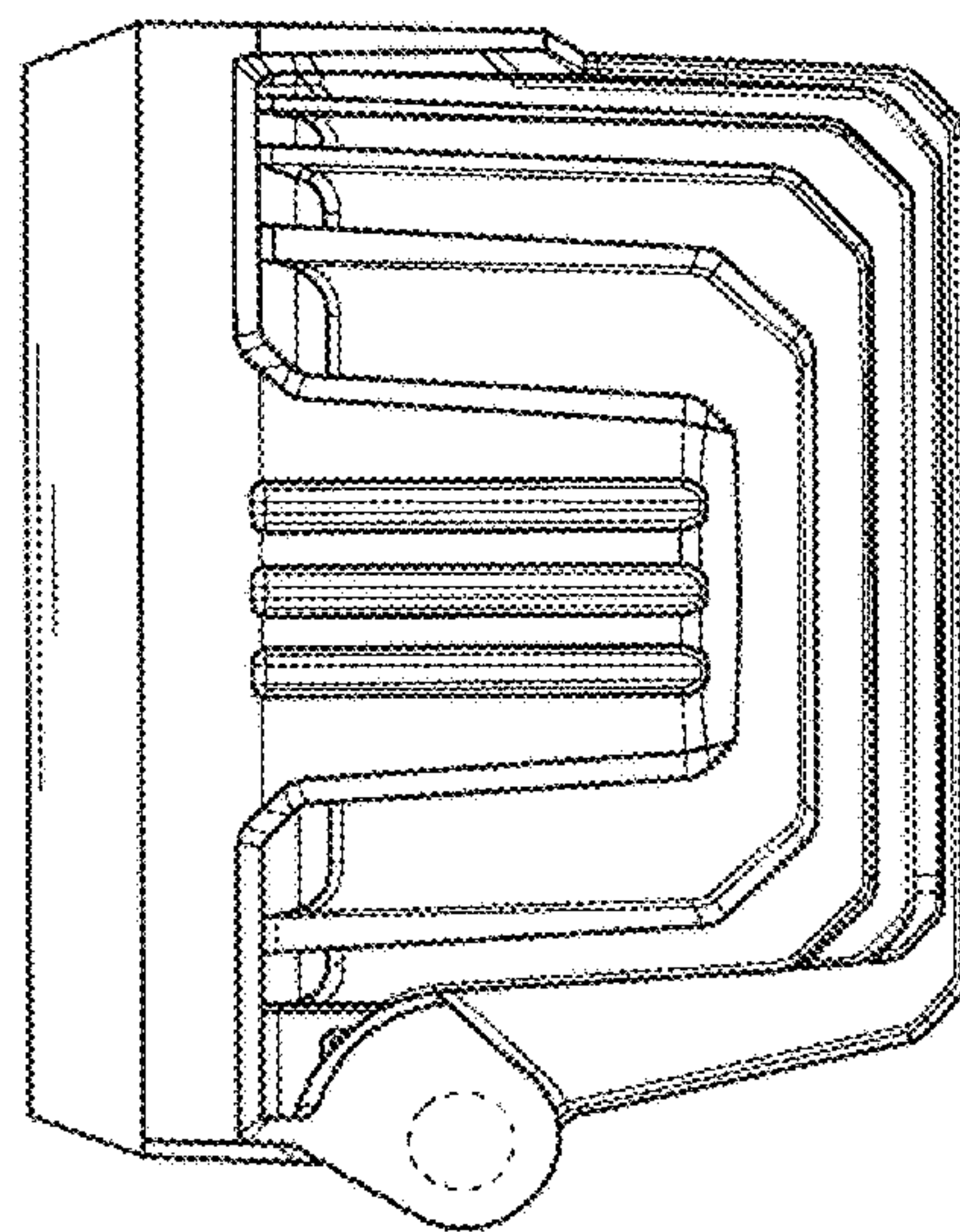
*FIG. 2*



*FIG. 3*



*FIG. 4*



*FIG. 5*

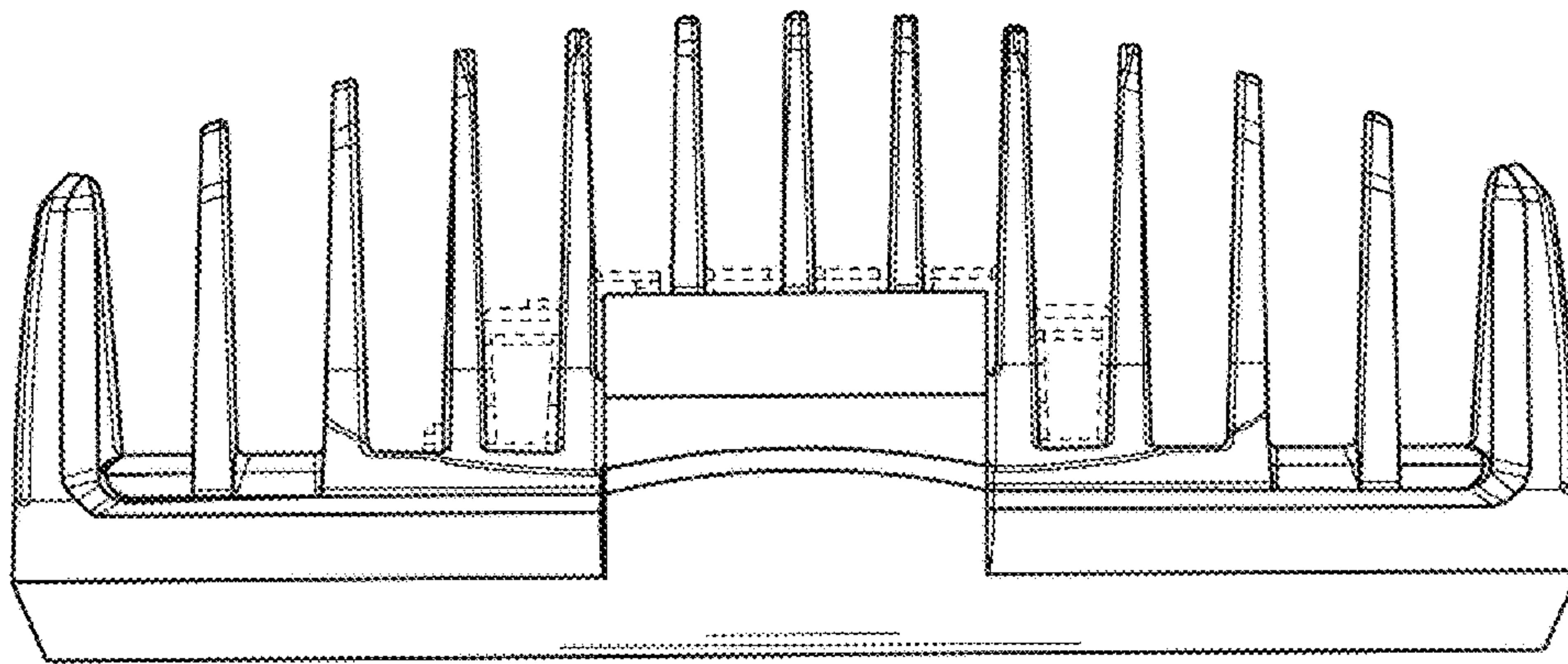


FIG. 6

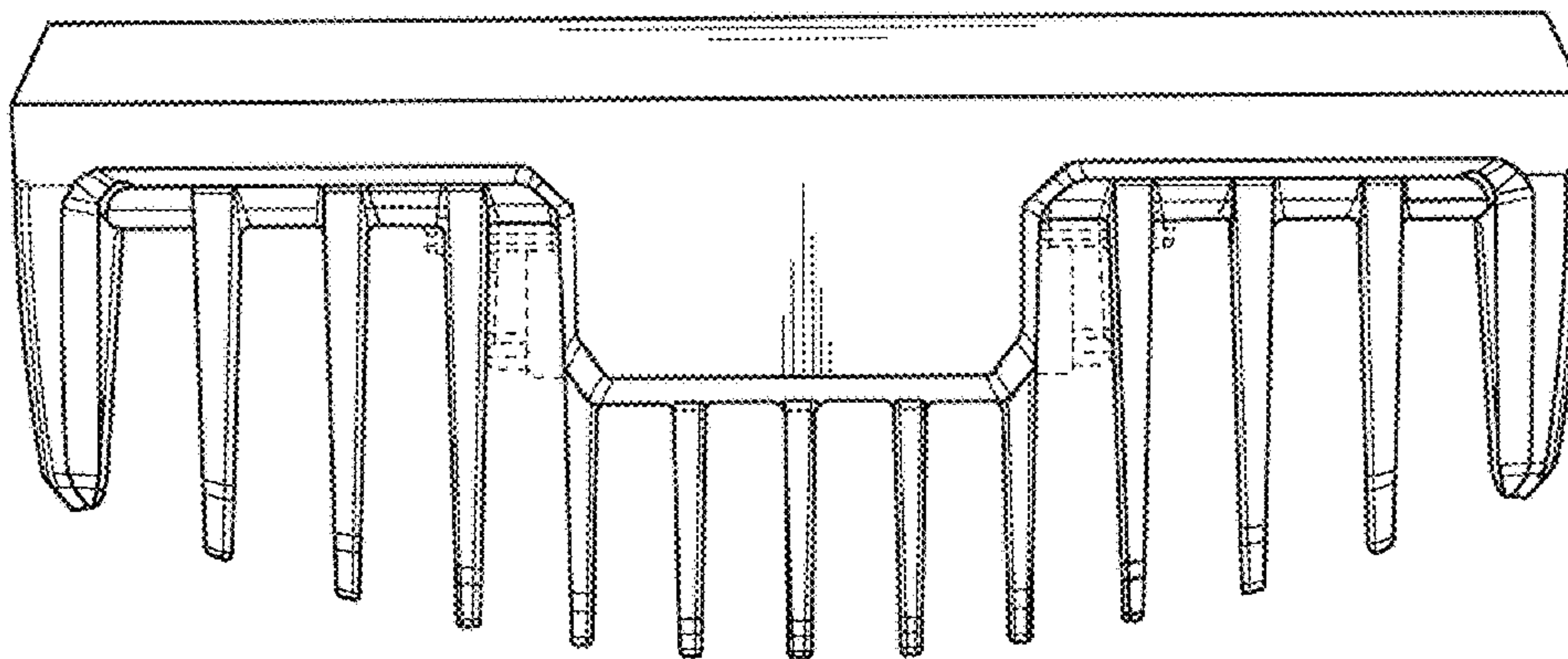


FIG. 7