



US00D863613S

(12) **United States Design Patent** (10) **Patent No.:** **US D863,613 S**
Korpi (45) **Date of Patent:** **** Oct. 15, 2019**

(54) **LED LIGHT**
(71) Applicant: **Jari Korpi**, Jakobstad (FI)
(72) Inventor: **Jari Korpi**, Jakobstad (FI)
(73) Assignee: **HERRMANS OY AB**, Pietarsaari (FI)
(**) Term: **15 Years**
(21) Appl. No.: **29/620,913**

D564,688 S * 3/2008 Korpi D26/63
D564,689 S * 3/2008 Korpi D26/63
D573,285 S * 7/2008 Zettl D26/63
D606,691 S * 12/2009 Lindholm D26/63
D642,717 S * 8/2011 Lindholm D26/63
D642,718 S * 8/2011 Lindholm D26/63
D642,719 S * 8/2011 Lindholm D26/63
D648,479 S * 11/2011 Herman D26/118
D693,509 S * 11/2013 Hosick D26/63
D697,241 S * 1/2014 Chen D26/28
D698,059 S * 1/2014 Korpi D26/63

(Continued)

(22) Filed: **Aug. 17, 2017**

OTHER PUBLICATIONS

(30) **Foreign Application Priority Data**

Feb. 17, 2017 (EM) 003757137-0008

“YouTube—Nordic Lights—Go Series LED Lights—Agriculture.”
Found online Jan. 2, 2019 at www.youtube.com. Video published
May 15, 2017. Retrieved from URL: [https://www.youtube.com/
watch?v=7D6gnr5vWjw](https://www.youtube.com/watch?v=7D6gnr5vWjw) (Year: 2017).*

(Continued)

(51) **LOC (12) Cl.** **26-06**

(52) **U.S. Cl.**
USPC **D26/28; D26/63**

(58) **Field of Classification Search**
USPC D26/24, 28, 63, 66, 67, 74, 118;
D14/371

Primary Examiner — Garth Rademaker
Assistant Examiner — Katelin G Kloberg
(74) *Attorney, Agent, or Firm* — Hoffmann & Baron, LLP

CPC F21V 21/30; F21V 29/74; F21V 29/763;
F21V 5/045; F21V 15/01; F21V 23/007;
F21V 29/76; F21V 5/048; F21Y 2115/10;
F21S 45/47

(57) **CLAIM**

The ornamental design for a LED light, as shown and described.

See application file for complete search history.

DESCRIPTION

(56) **References Cited**

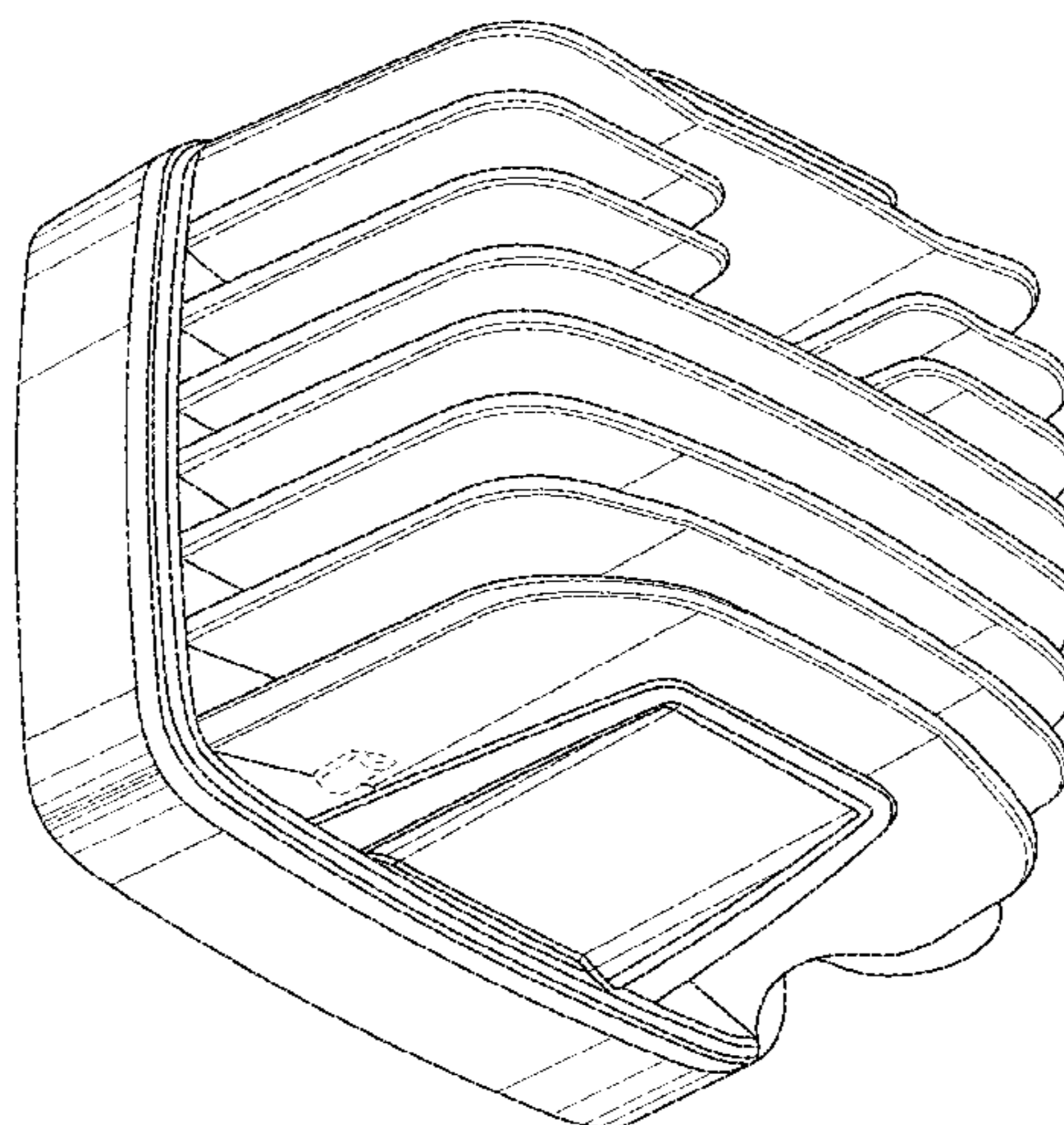
U.S. PATENT DOCUMENTS

D190,922 S * 7/1961 Anthony D26/24
4,527,224 A * 7/1985 Sangiamo F16M 11/08
362/269
D283,925 S * 5/1986 Sangiamo D26/24
D300,864 S * 4/1989 Titmarsh D26/24
D319,891 S * 9/1991 Giese D26/24
5,086,379 A * 2/1992 Denison F21S 8/081
248/289.11
D355,502 S * 2/1995 Liao D26/63
D550,880 S * 9/2007 Korpi D26/63
D551,372 S * 9/2007 Korpi D26/63

FIG. 1 is a top, rear, left side perspective view of an LED light, showing my new design;
FIG. 2 is a rear view thereof;
FIG. 3 is a front view thereof;
FIG. 4 is a right side view thereof;
FIG. 5 is a left side view thereof;
FIG. 6 is a top view thereof; and,
FIG. 7 is a bottom view of the claimed design.

The broken lines depict portions of the article that form no part of the claimed design.

1 Claim, 4 Drawing Sheets



(56)

References Cited

U.S. PATENT DOCUMENTS

D698,060	S	*	1/2014	Korpi	D26/63
D698,472	S	*	1/2014	Korpi	D26/63
D698,473	S	*	1/2014	Korpi	D26/63
D698,474	S	*	1/2014	Korpi	D26/63
D698,475	S	*	1/2014	Korpi	D26/63
D708,778	S	*	7/2014	Sibitzky	D26/118
D732,219	S	*	6/2015	Adams	D26/63
D734,521	S	*	7/2015	Gebhard	D26/63
D739,072	S	*	9/2015	Adams	D26/118
D761,482	S	*	7/2016	Largent	D26/118
D775,402	S	*	12/2016	Sibitzky	D26/118
D775,404	S	*	12/2016	Adams	D26/118
9,605,843	B2	*	3/2017	Gebhard	F21V 29/02
D784,599	S	*	4/2017	Sibitzky	D26/118
D805,670	S	*	12/2017	Madril	D26/63
D827,167	S	*	8/2018	Deyaf	D26/28
D833,655	S	*	11/2018	Ko	D26/28

OTHER PUBLICATIONS

“Turbo SII Led Light Bar.” Found online Jan. 2, 2019 at www.amazon.com. Page dated Mar. 23, 2015. Retrieved from URL: https://www.amazon.com/Tractor-Reverse-Wheeler-Polaris-motorcycle/dp/B00V2VF86W/ref=sr_1_12_sspa?ie=UTF8&qid=1546451612&sr=8-12-spons&keywords=led+work+light+for+vehicle&psc=1 (Year: 2015).*

“Blazer CWL535 LED Square Magnetic Work Light.” Found online Jan. 2, 2019 at www.amazon.com. Page dated Jan. 3, 2012. Retrieved from URL: https://www.amazon.com/Blazer-CWL535-Square-Magnetic-Light/dp/B006STTM9C/ref=sr_1_13?s=hi&ie=UTF8&qid=1546452200&sr=1-13&keywords=LED+tractor+light (Year: 2012).*

“TMH 48w Square Shape 30 Degree LED Work Light.” Found online Jan. 2, 2019 at www.amazon.com. Page dated Jul. 18, 2013. Retrieved from URL: https://www.amazon.com/30-Motorbike-Motorcycle-Excavator-Bulldozer/dp/B00E1HX8HK/ref=sr_1_26?s=hi&ie=UTF8&qid=1546452200&sr=1-26&keywords=LED+tractor+light (Year: 2013).*

* cited by examiner

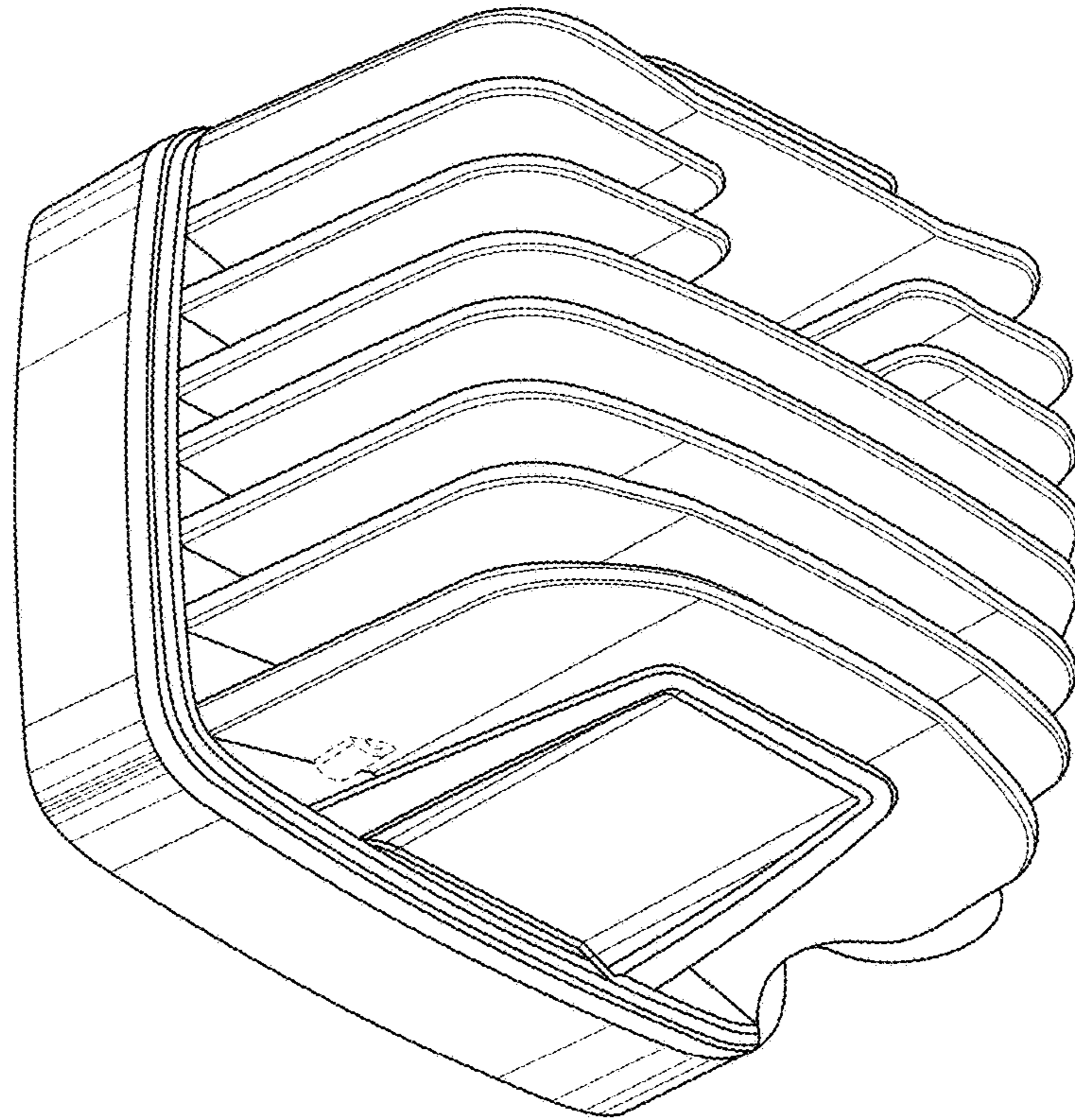


FIG. 1

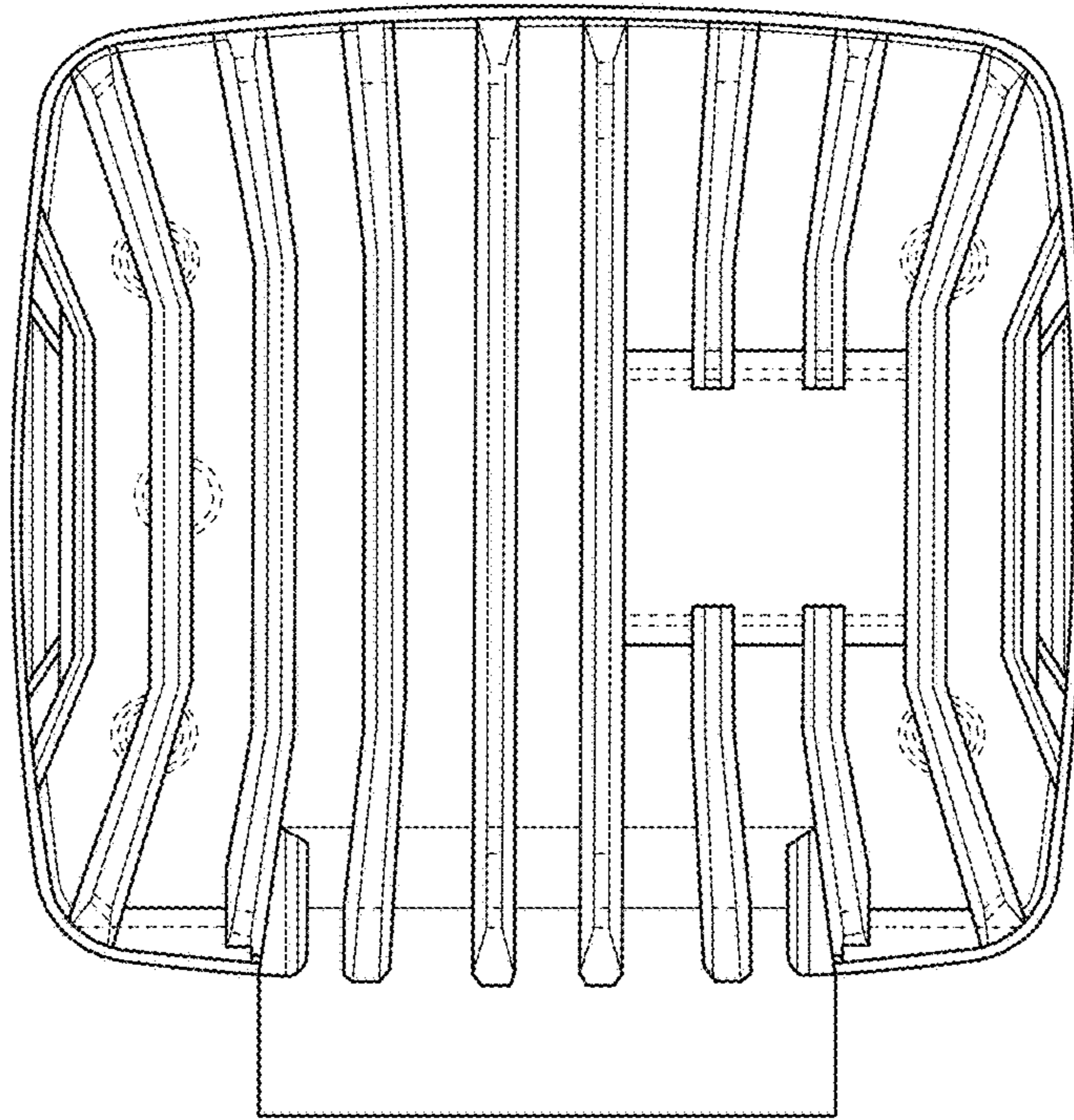


FIG. 2

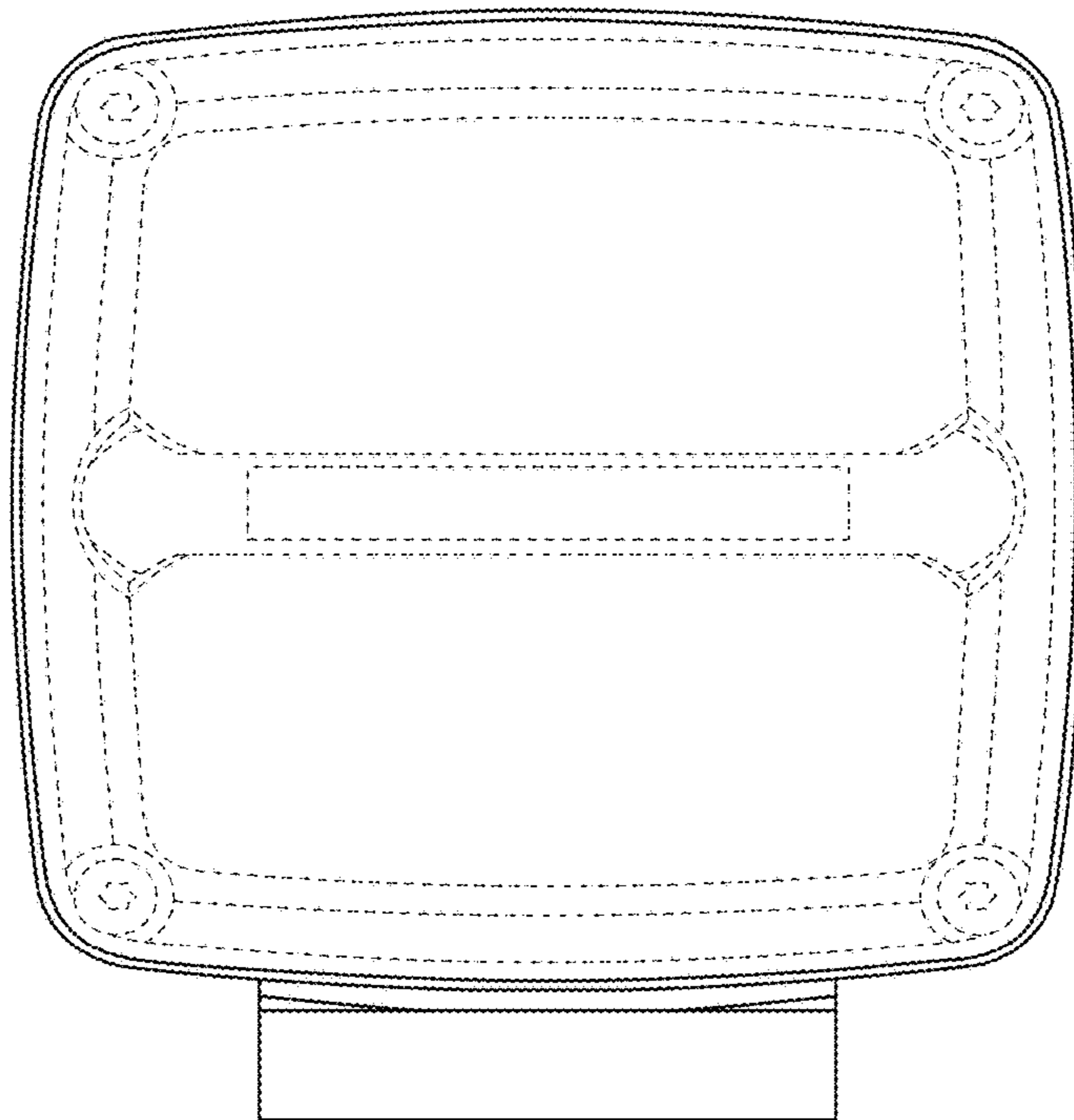


FIG. 3

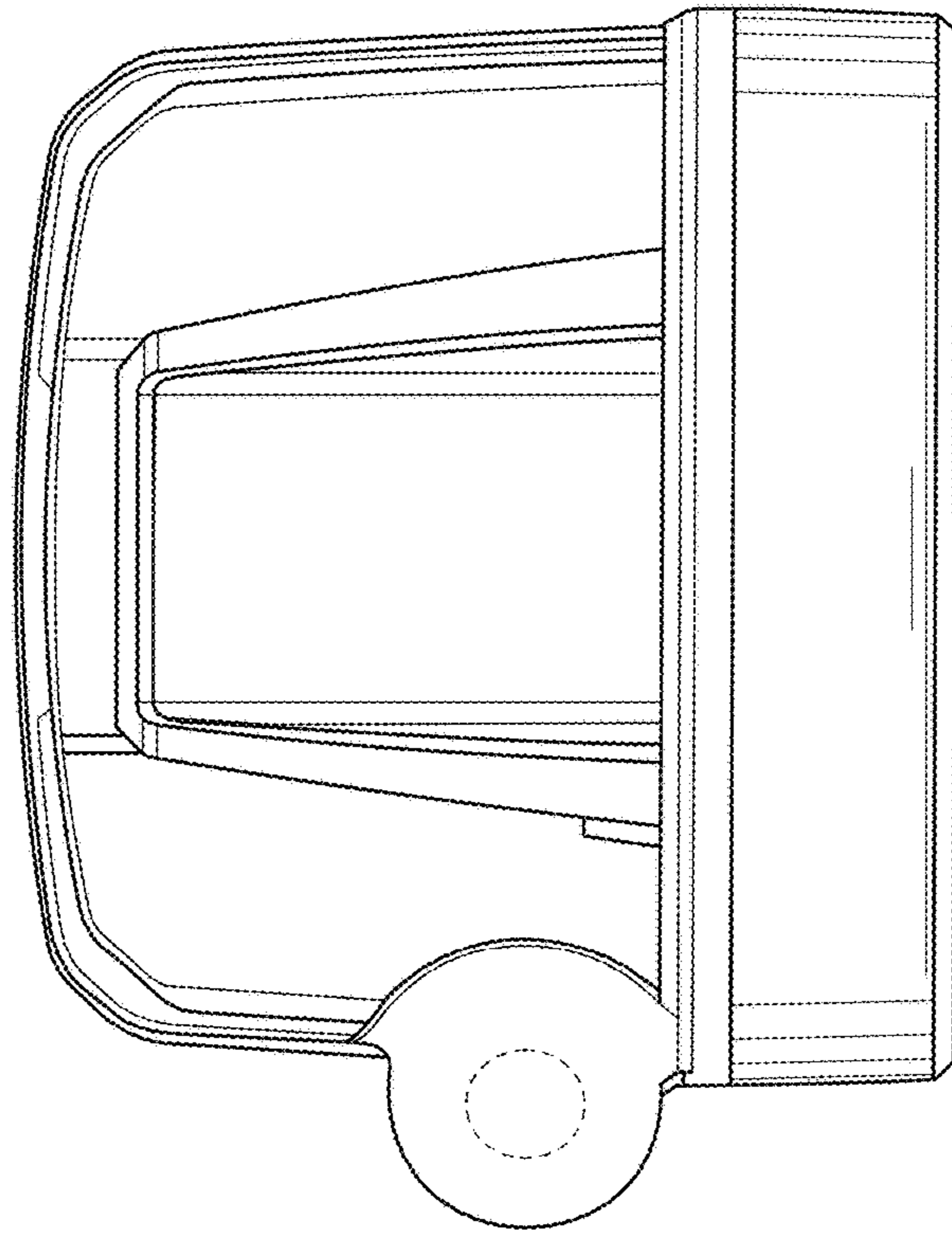


FIG. 4

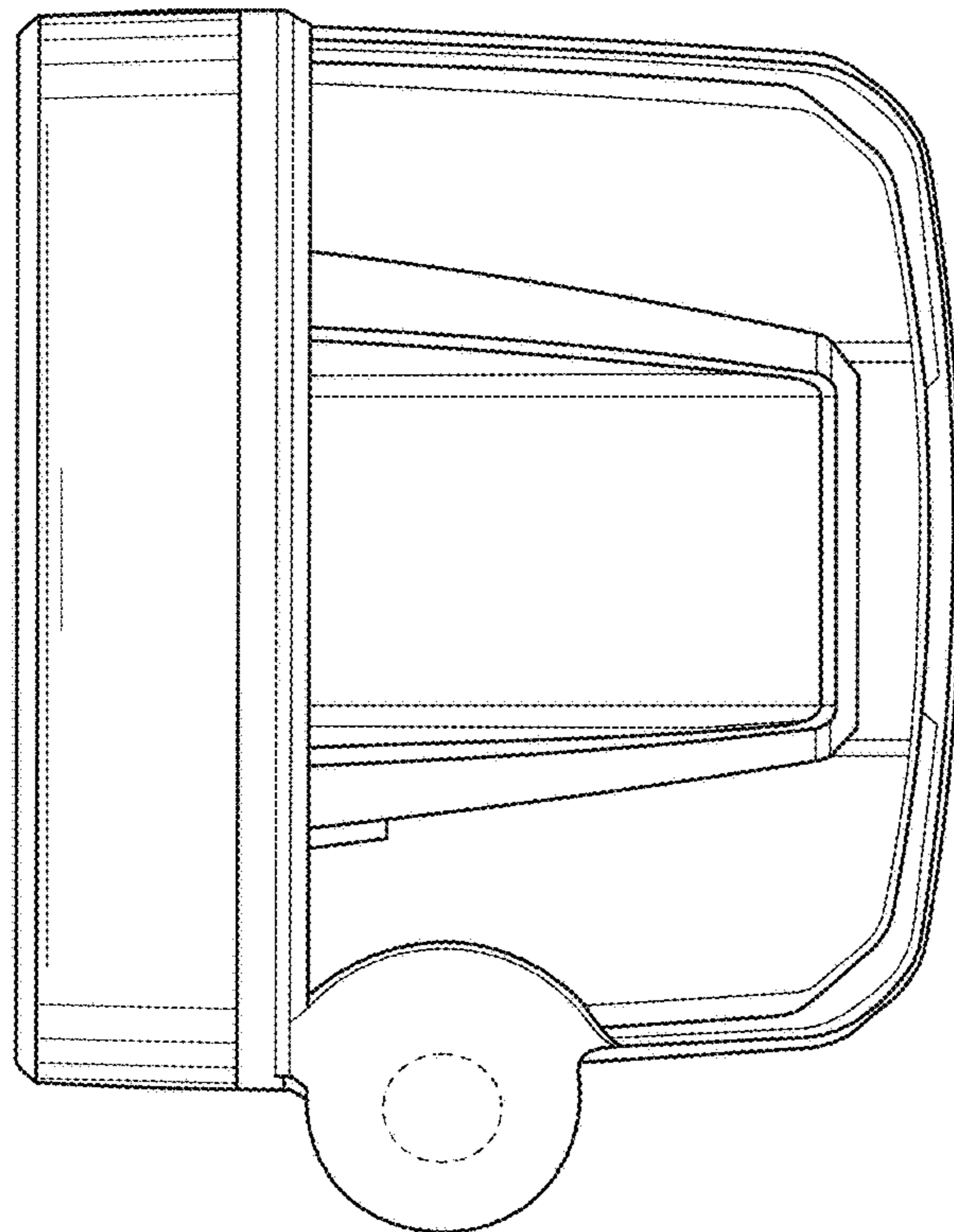


FIG. 5

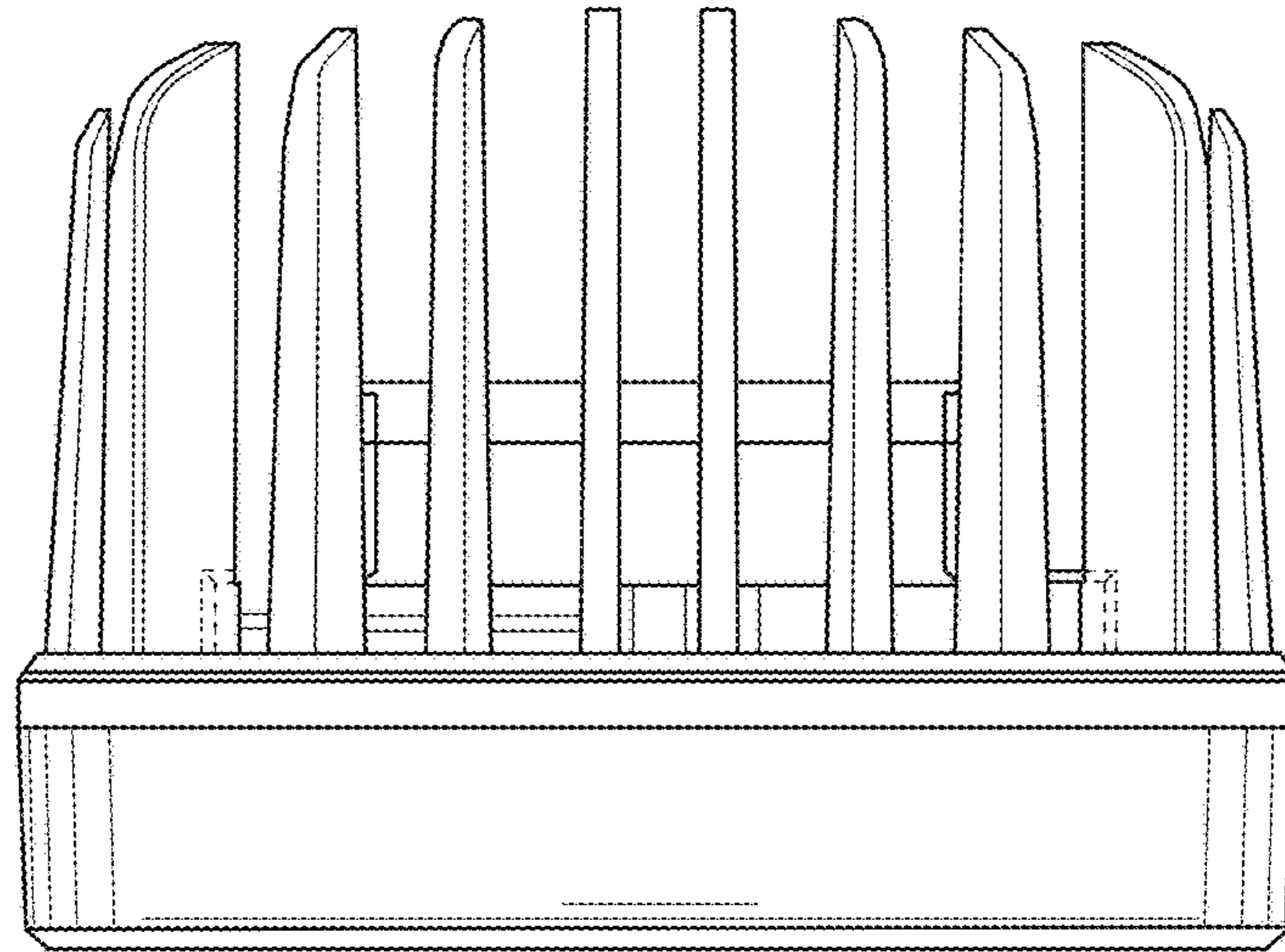


FIG. 6

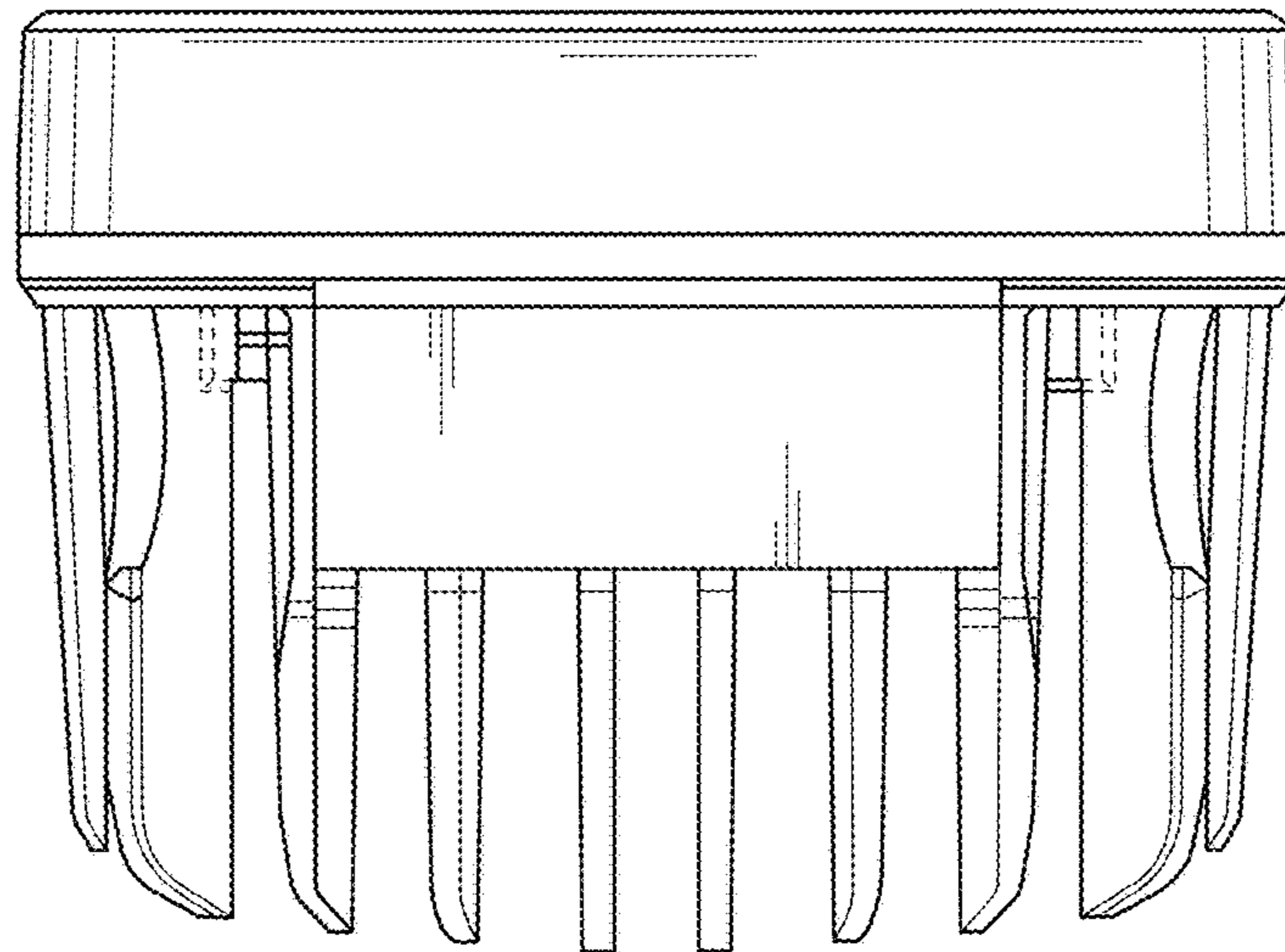


FIG. 7