



US00D863610S

(12) **United States Design Patent** (10) **Patent No.:** **US D863,610 S**  
**Lan et al.** (45) **Date of Patent:** **\*\* Oct. 15, 2019**

(54) **WATERPROOF LAMP**

(56) **References Cited**

(71) Applicant: **Shenzhen Guanke Technologies Co., Ltd**, Shenzhen (CN)

U.S. PATENT DOCUMENTS

(72) Inventors: **Qing Lan**, Shenzhen (CN); **Tianlong Dai**, Shenzhen (CN); **Ligen Liu**, Shenzhen (CN); **Shoubao Chen**, Shenzhen (CN)

D321,762 S \* 11/1991 Mujahid ..... D26/2  
D398,407 S \* 9/1998 O'Connell ..... D26/2  
D745,195 S \* 12/2015 Zolotykh ..... D26/2

\* cited by examiner

(73) Assignee: **SHENZHEN GUANKE TECHNOLOGIES CO., LTD**, Shenzhen (CN)

*Primary Examiner* — Marcus A Jackson

(\*\*) Term: **15 Years**

(57) **CLAIM**

The ornamental design for a waterproof lamp, as shown and described.

(21) Appl. No.: **29/665,046**

(22) Filed: **Sep. 29, 2018**

**DESCRIPTION**

(30) **Foreign Application Priority Data**

Sep. 25, 2018 (CN) ..... 2018 3 0537418

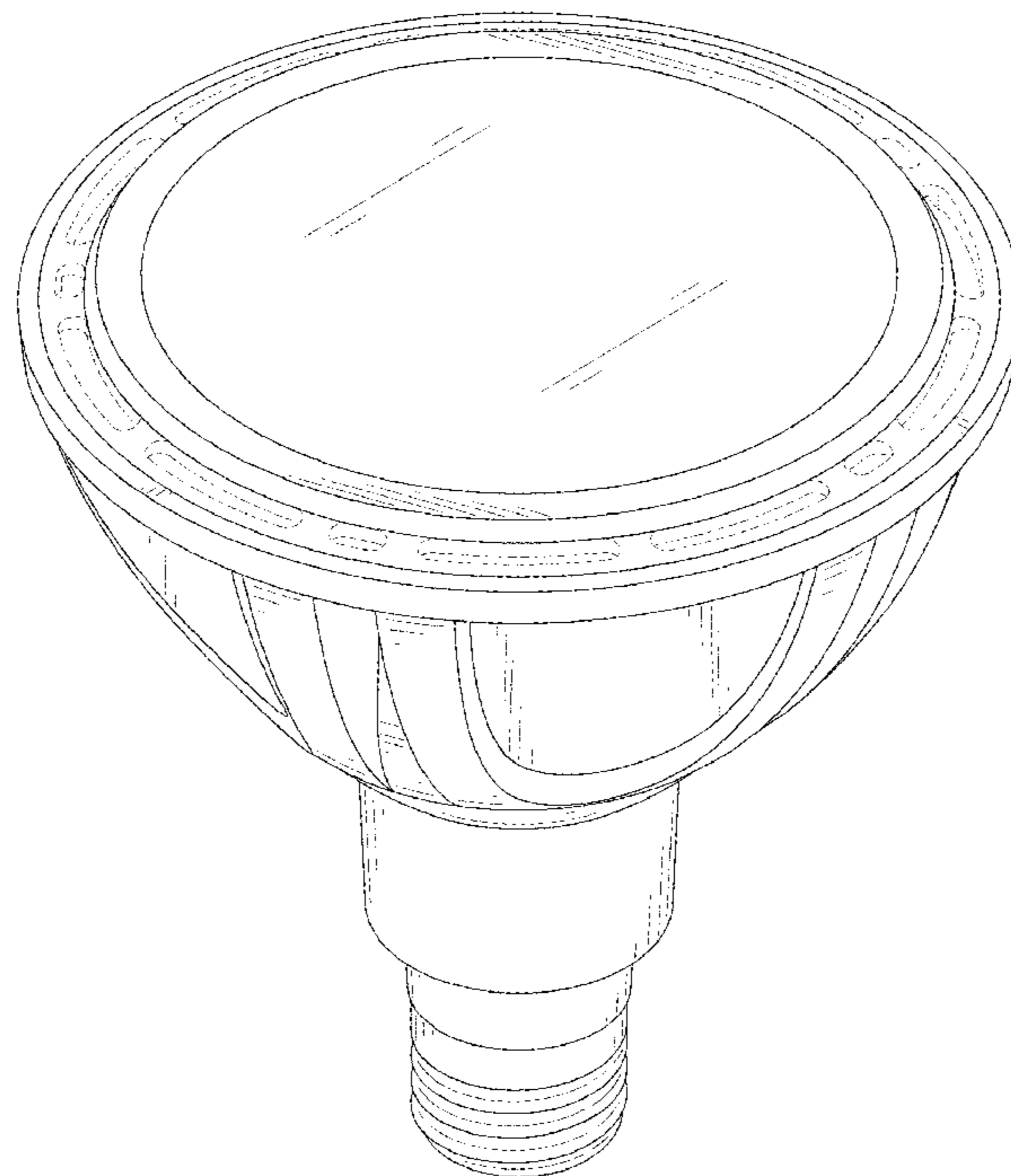
(51) **LOC (12) Cl.** ..... **26-04**

(52) **U.S. Cl.**  
USPC ..... **D26/2**

(58) **Field of Classification Search**  
USPC ..... D26/1-4  
CPC ..... H01R 5/00; H01R 13/46; H01R 13/514;  
H01R 31/048; H01R 31/02; H01J 5/00;  
H01J 5/16; H01J 10/02; H01J 15/00;  
H01J 5/48; H01J 5/50; H01J 19/54; F21V  
5/00; F21K 9/00; F21K 29/004  
See application file for complete search history.

FIG. 1 is a perspective view of a waterproof lamp showing my new design;  
FIG. 2 is another perspective view thereof;  
FIG. 3 is a front elevational view thereof;  
FIG. 4 is a rear elevational view thereof;  
FIG. 5 is a left side elevational view thereof;  
FIG. 6 is a right side elevational view thereof;  
FIG. 7 is a top plan view thereof; and,  
FIG. 8 is a bottom plan view thereof.  
The broken lines in the drawings are for the purpose of illustrating portions of the waterproof lamp that form no part of the claimed design.

**1 Claim, 8 Drawing Sheets**



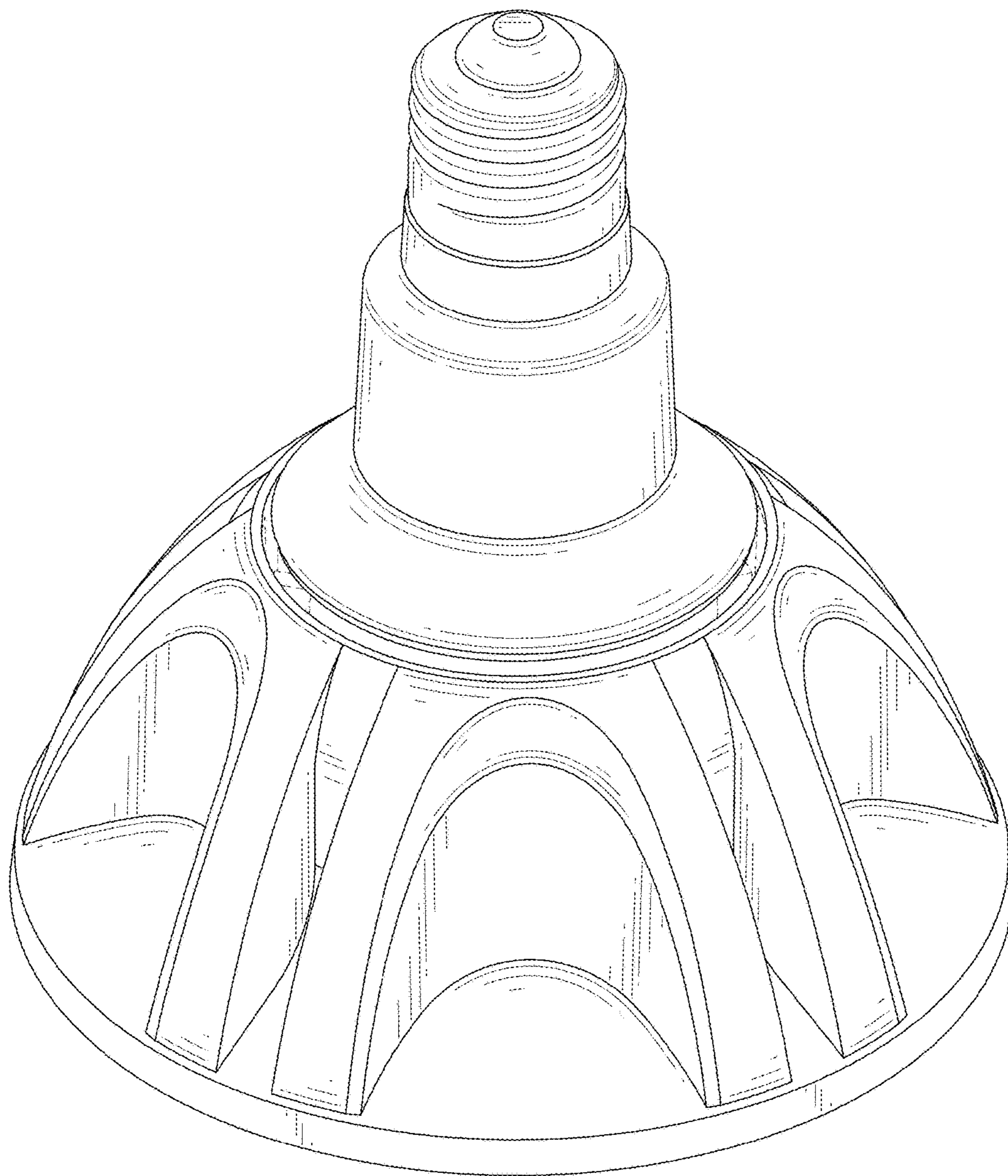


FIG. 1

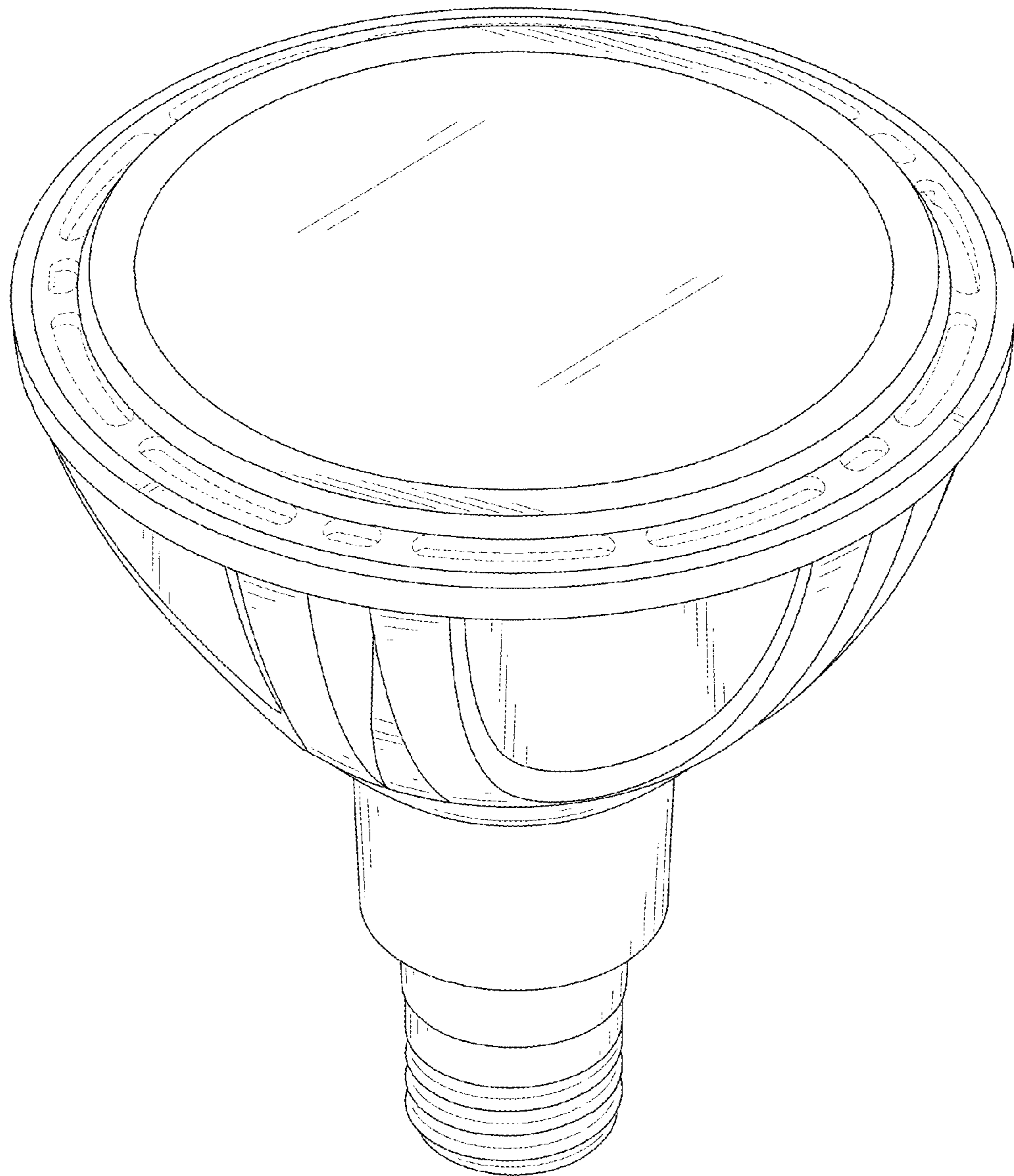


FIG. 2

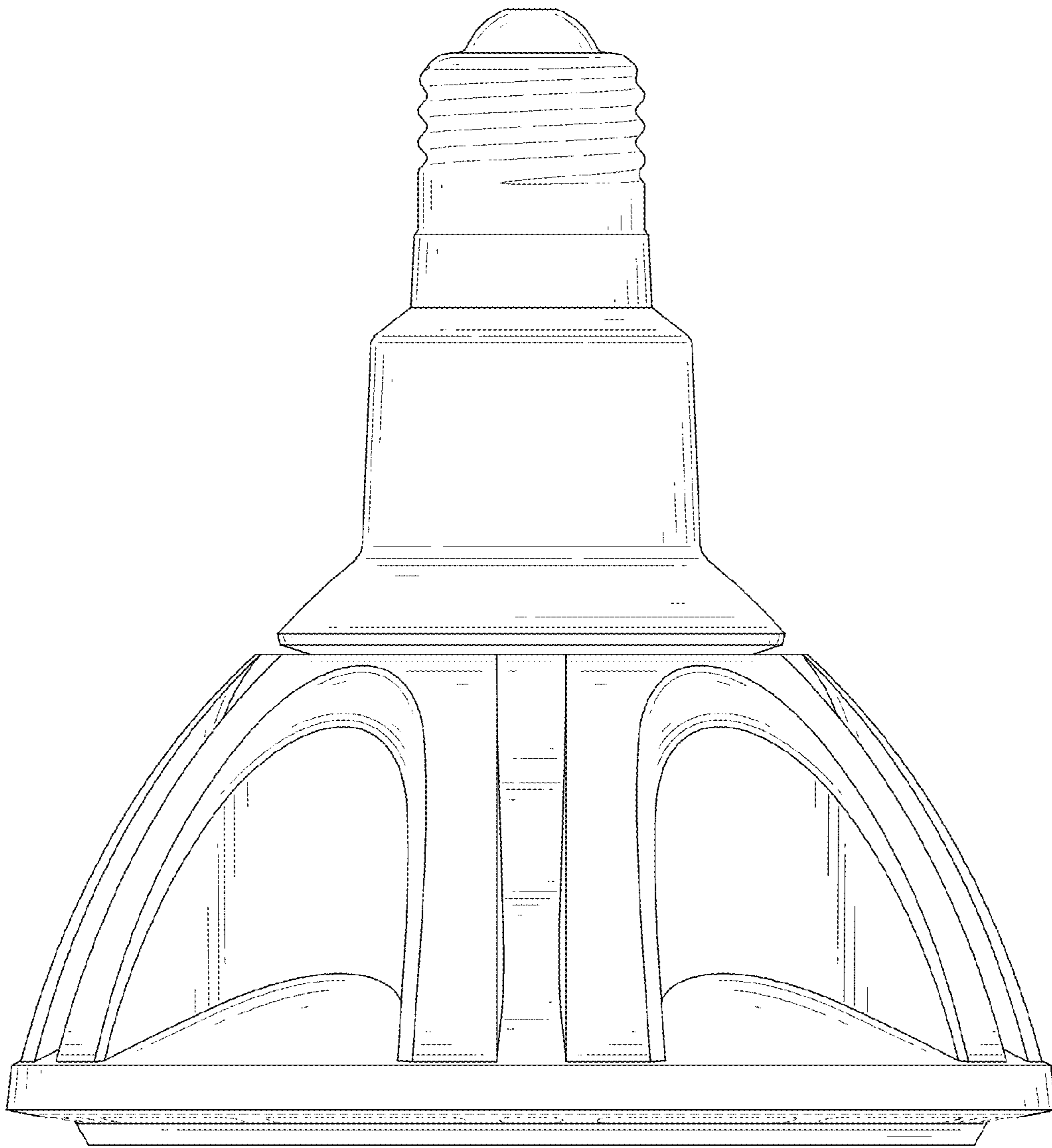


FIG. 3

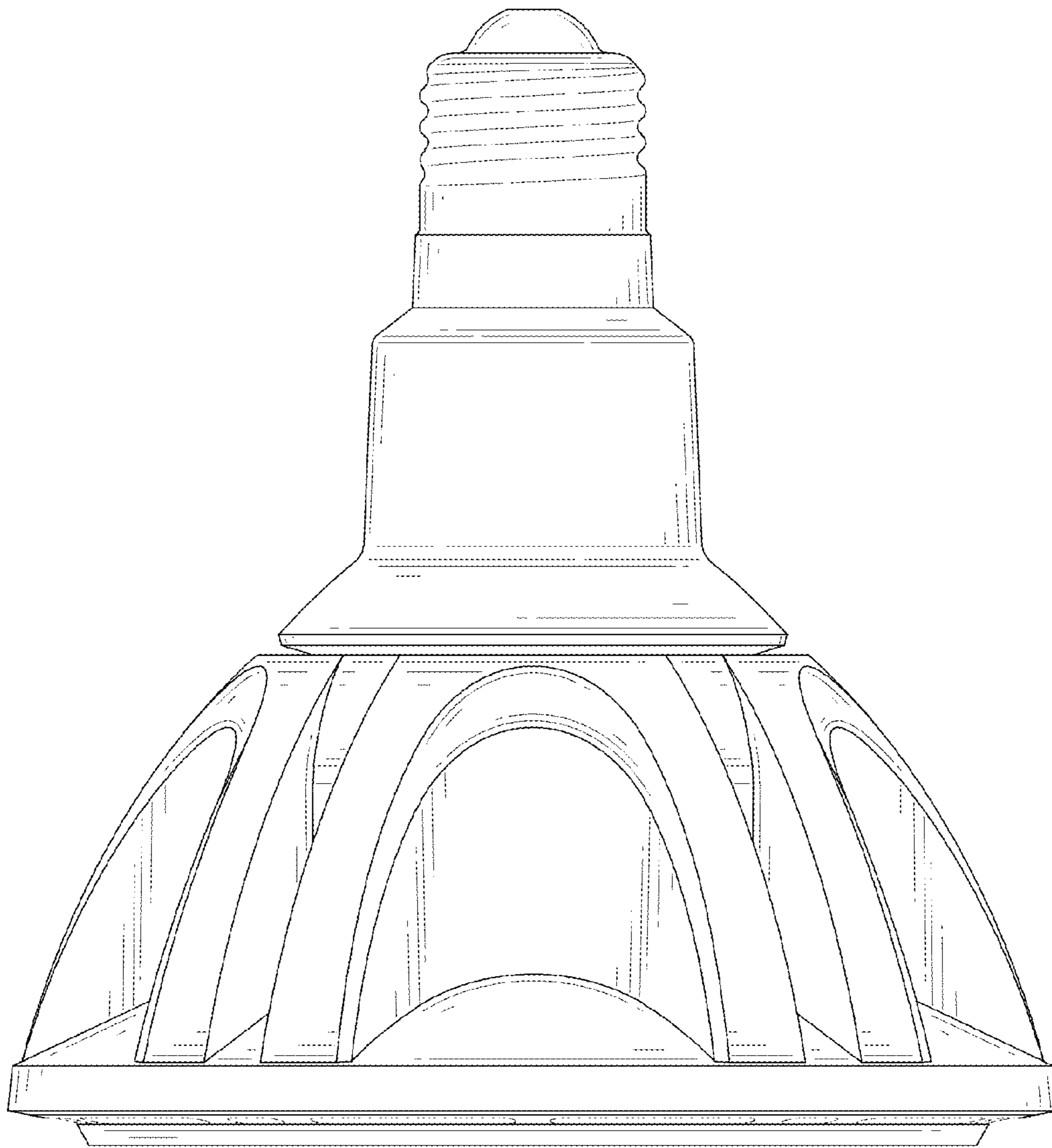


FIG. 4

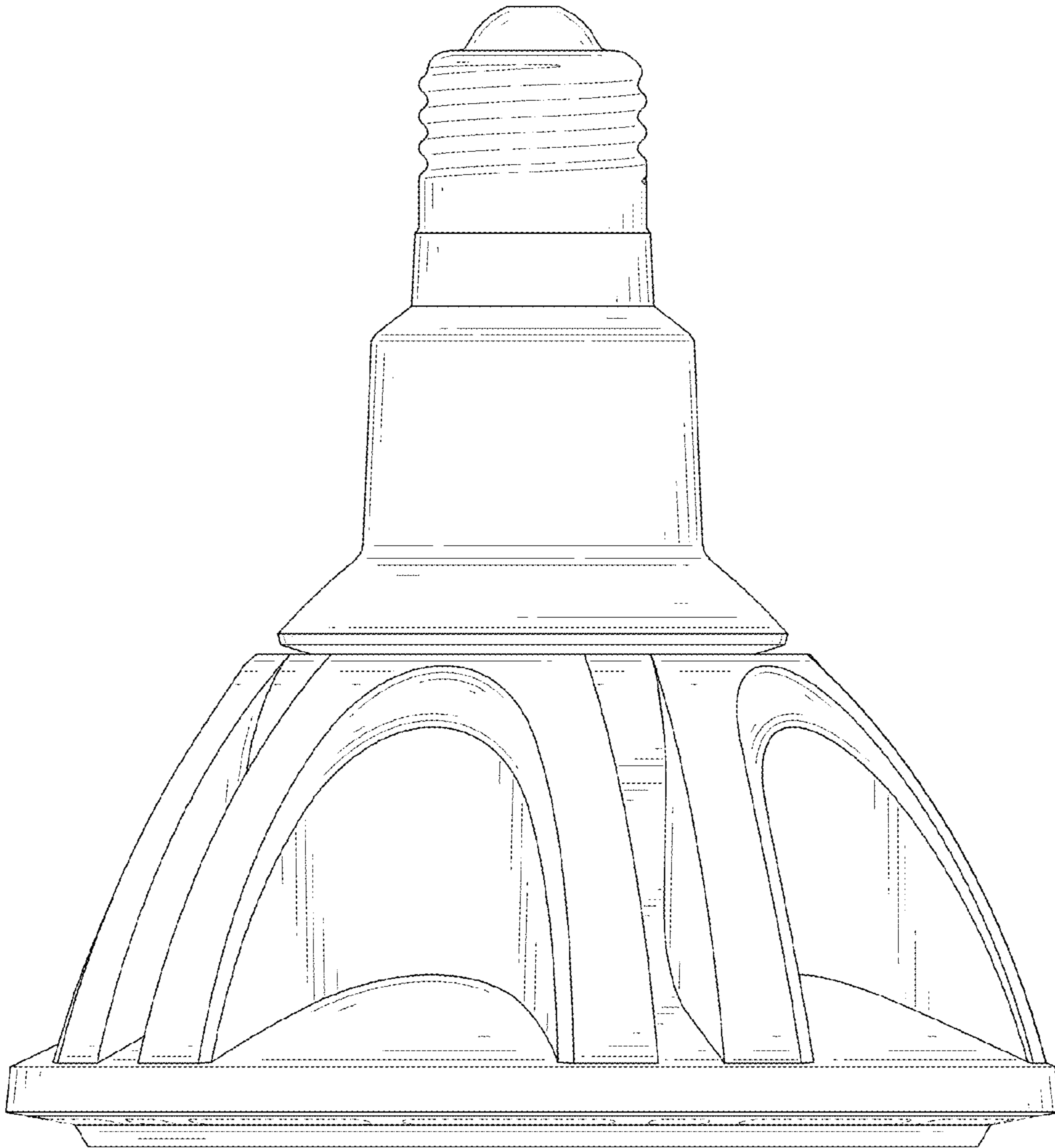


FIG. 5

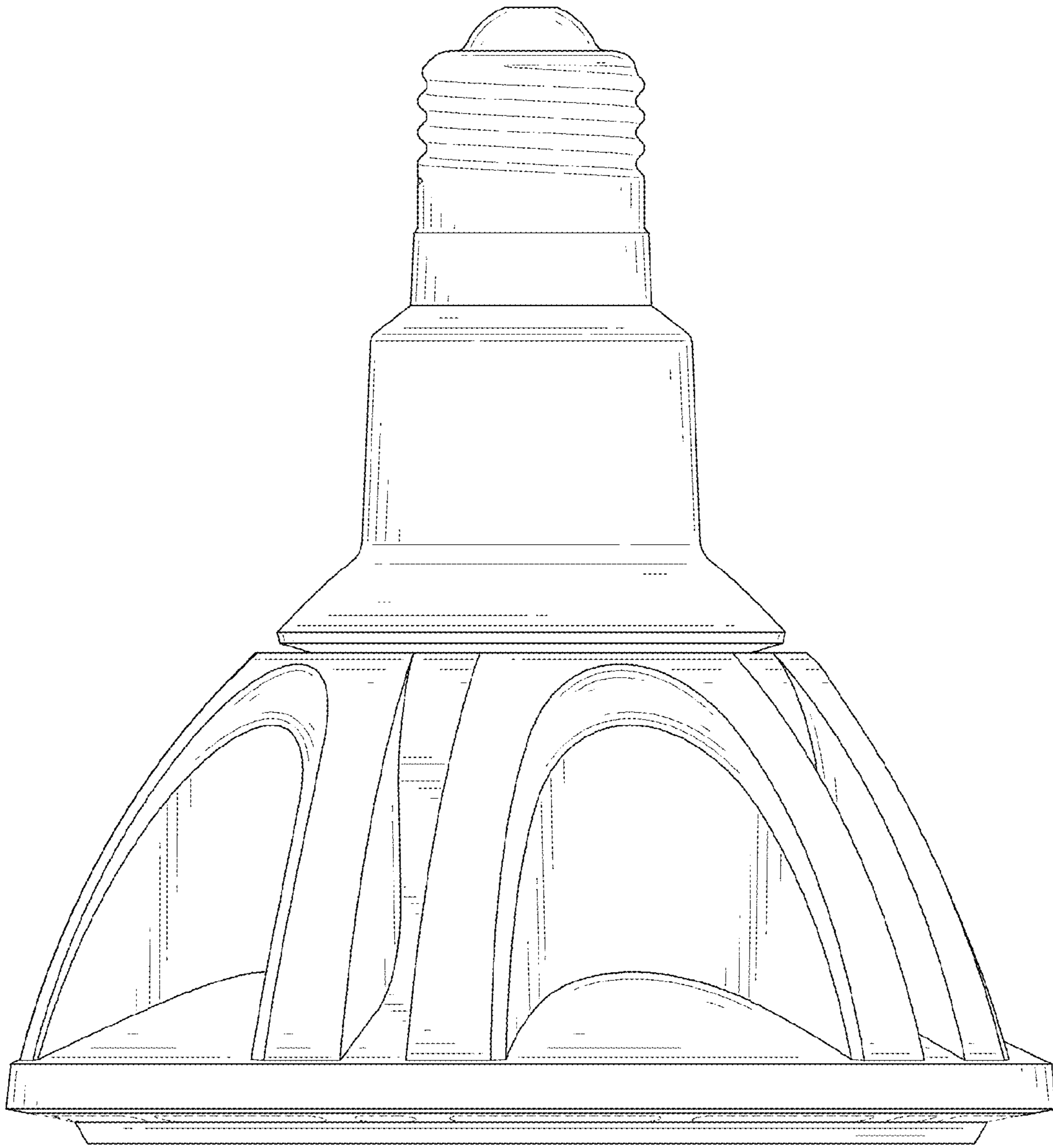


FIG. 6

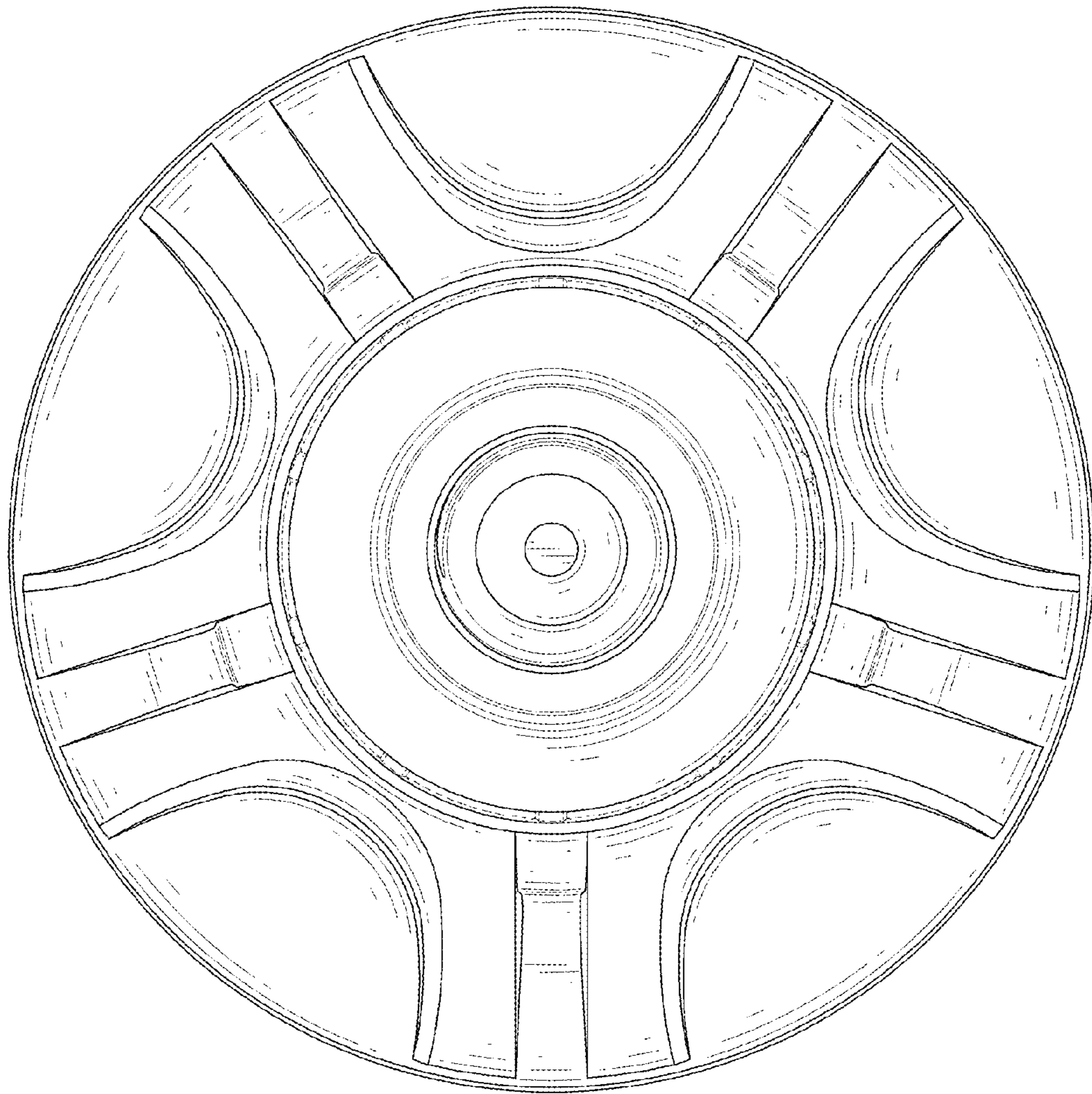


FIG. 7



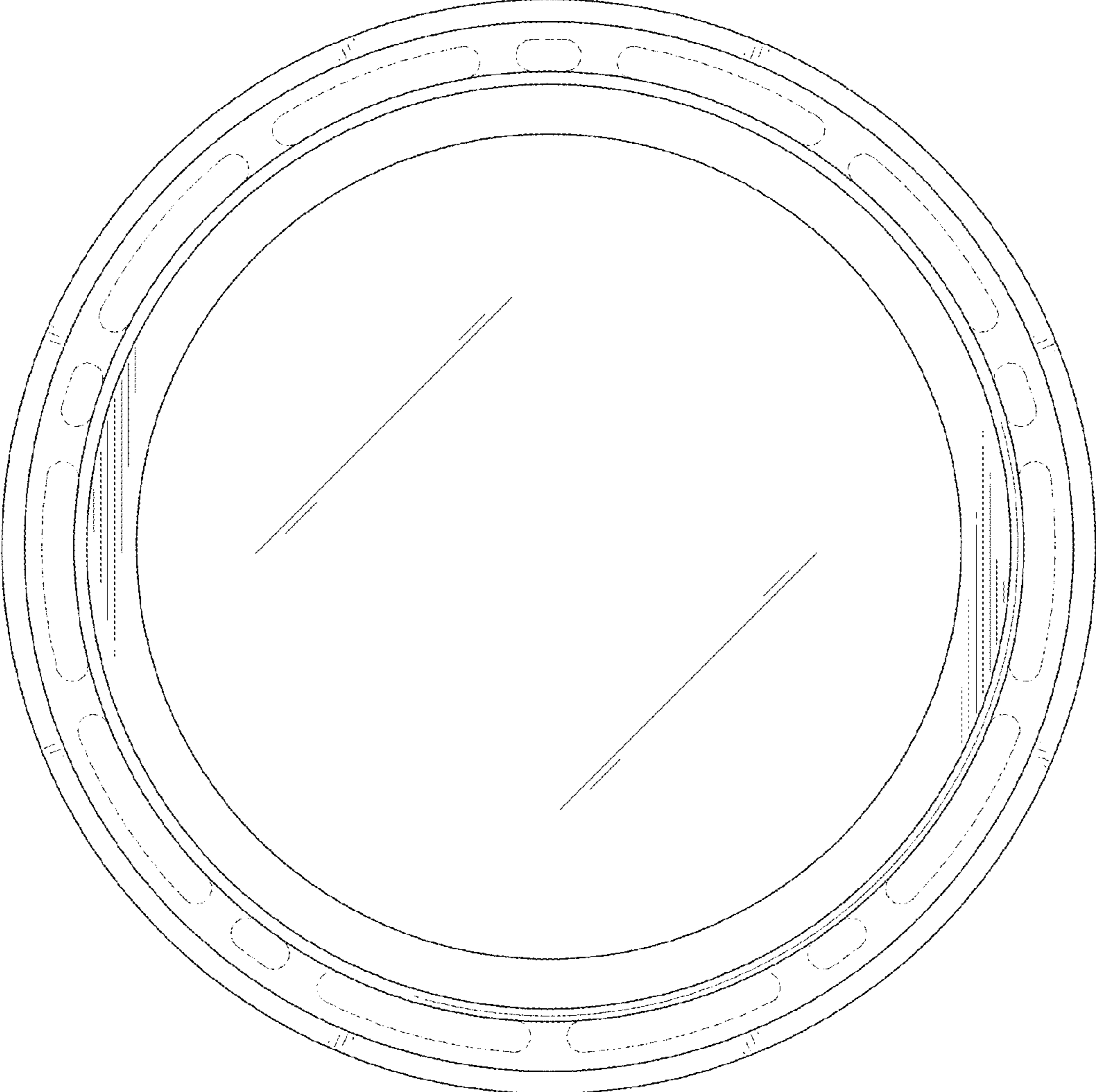


FIG. 8