



US00D863609S

(12) **United States Design Patent** (10) **Patent No.:** **US D863,609 S**
Wang (45) **Date of Patent:** **** Oct. 15, 2019**

- (54) **LED LAMP**
- (71) Applicant: **Shenzhen Chinlighting Technology Co., Ltd.**, Shenzhen, Guangdong (CN)
- (72) Inventor: **Zheng Wang**, Guangdong (CN)
- (**) Term: **15 Years**
- (21) Appl. No.: **29/663,484**
- (22) Filed: **Sep. 17, 2018**
- (51) **LOC (12) Cl.** **26-04**
- (52) **U.S. Cl.**
USPC **D26/2**
- (58) **Field of Classification Search**
USPC D26/1-4
CPC H01R 5/00; H01R 13/46; H01R 13/514;
H01R 31/048; H01R 31/02; H01J 5/00;
H01J 5/16; H01J 1/02; H01J 15/00; H01J
5/48; H01J 5/50; H01J 19/54; F21V 5/00;
F21K 9/00; F21K 29/004
See application file for complete search history.

D528,674 S *	9/2006	Gonzalez	D26/2
D538,953 S *	3/2007	Mama	D26/2
D540,961 S *	4/2007	Hrubowchak	D26/2
D548,369 S *	8/2007	Bembridge	D26/2
D550,864 S *	9/2007	Hernandez, Jr.	D26/2
D670,411 S *	11/2012	Foo	D26/2

* cited by examiner

Primary Examiner — Marcus A Jackson

(74) *Attorney, Agent, or Firm* — Alexander Chen, Esq.;
Inhouse Co. Law Firm

(57) **CLAIM**

An ornamental design for a LED lamp design, as shown and described.

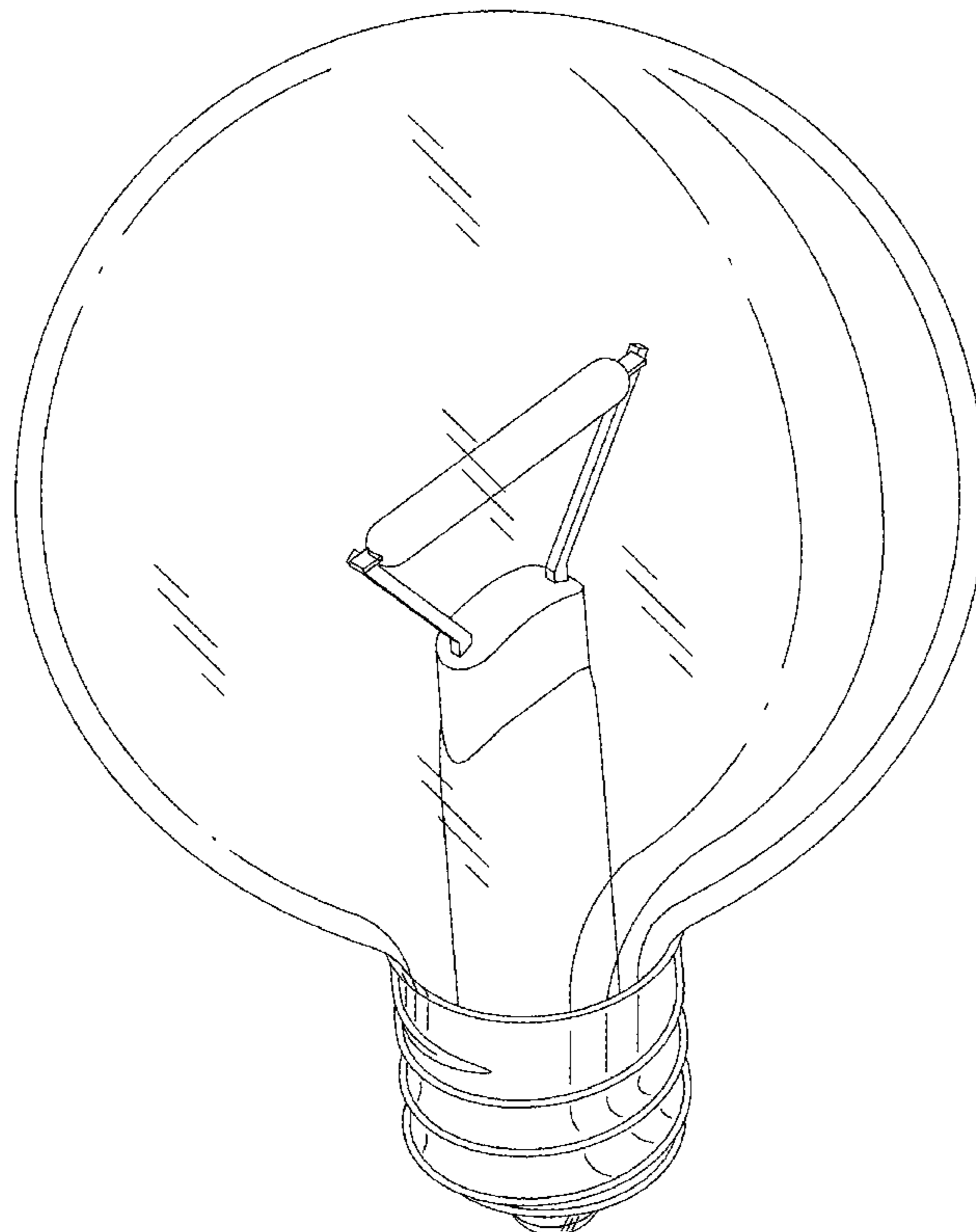
DESCRIPTION

FIG. 1 is a front elevational view of a LED lamp design;
FIG. 2 is a rear elevational view thereof;
FIG. 3 is a left side elevational view thereof;
FIG. 4 is a right side elevational view thereof;
FIG. 5 is a top plan view thereof;
FIG. 6 is a bottom plan view thereof; and,
FIG. 7 is a perspective view thereof.

(56) **References Cited**
U.S. PATENT DOCUMENTS

D443,703 S *	6/2001	Sood	D26/2
D506,840 S *	6/2005	Van de Ven	D26/2

1 Claim, 7 Drawing Sheets



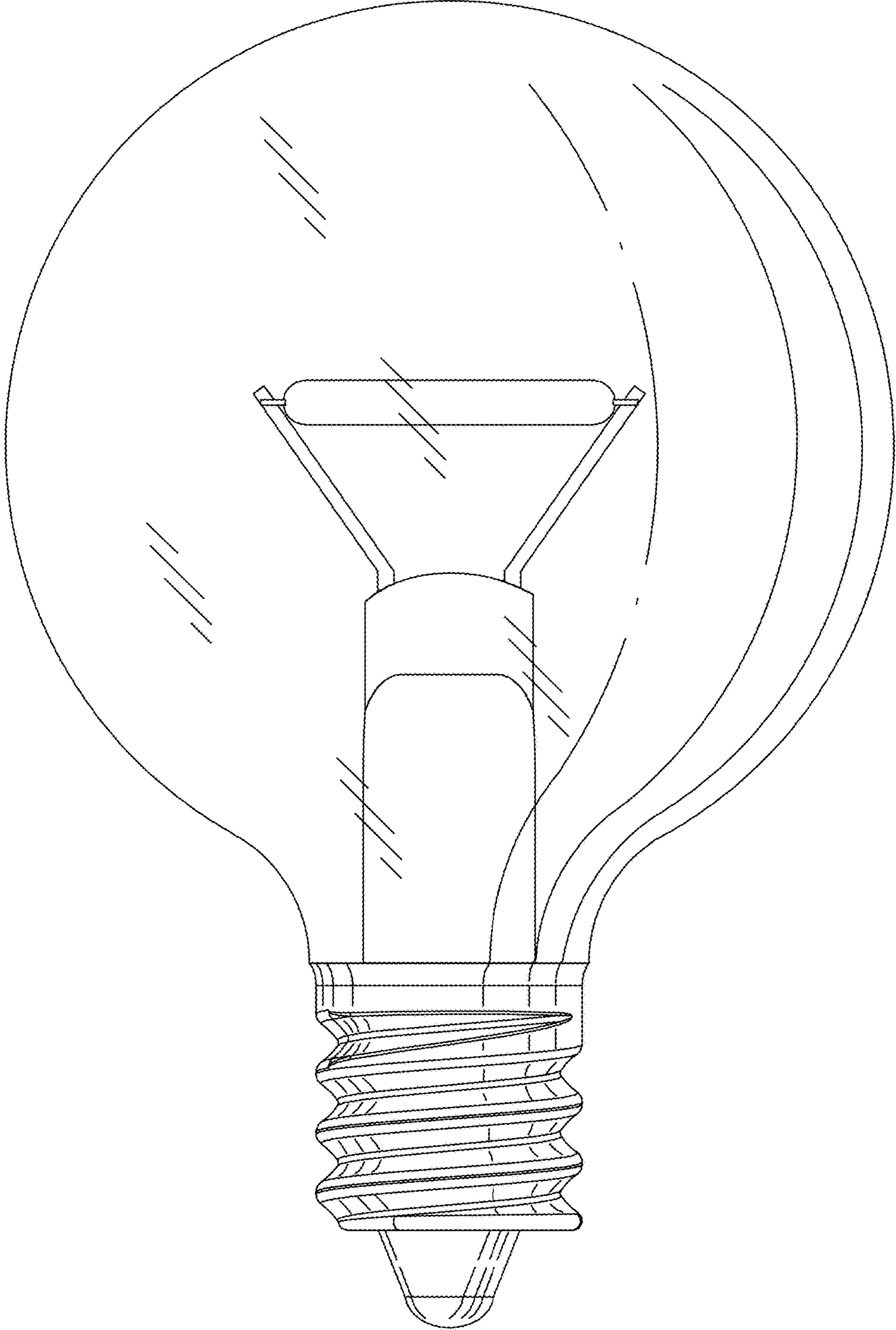


Fig. 1

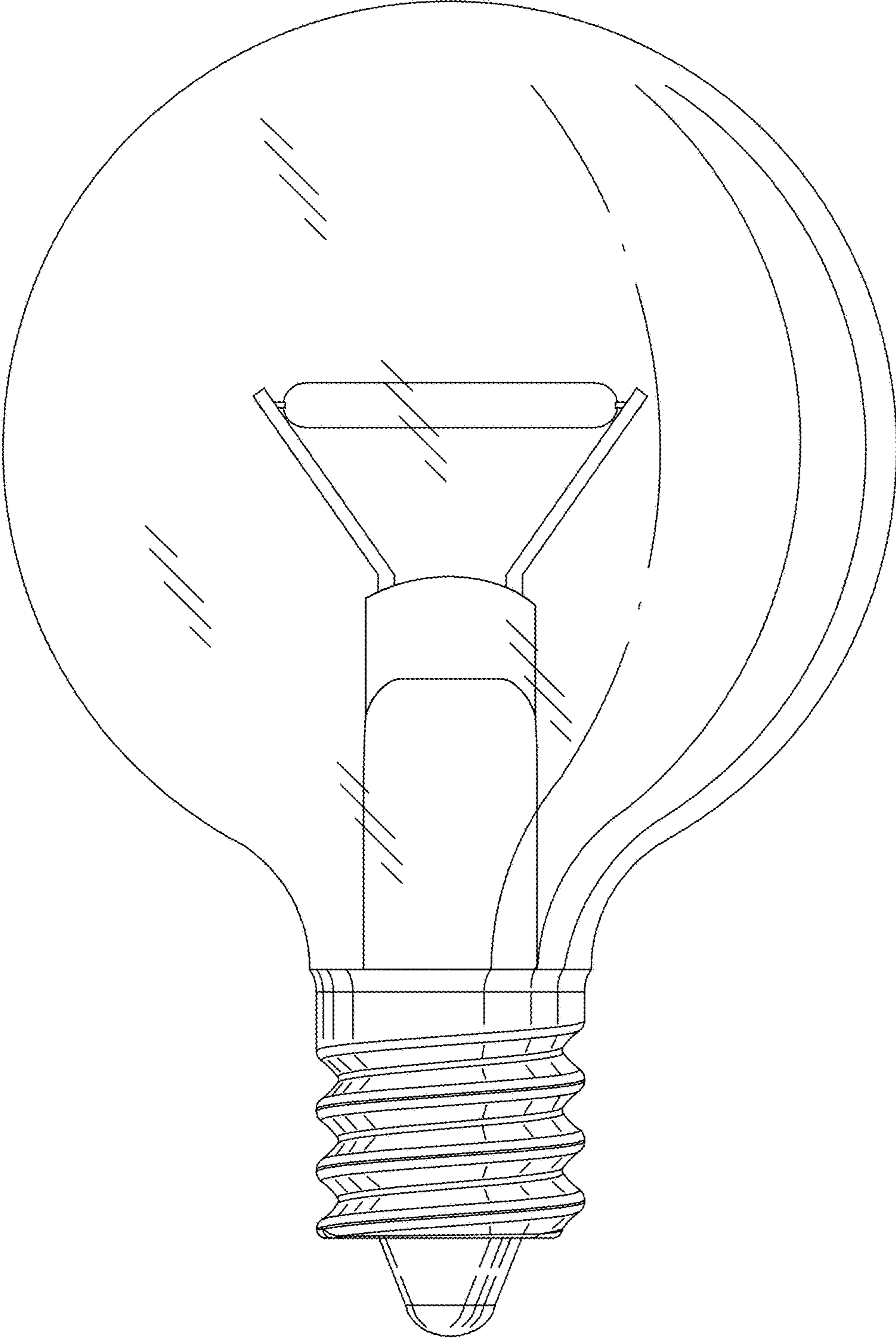


Fig. 2

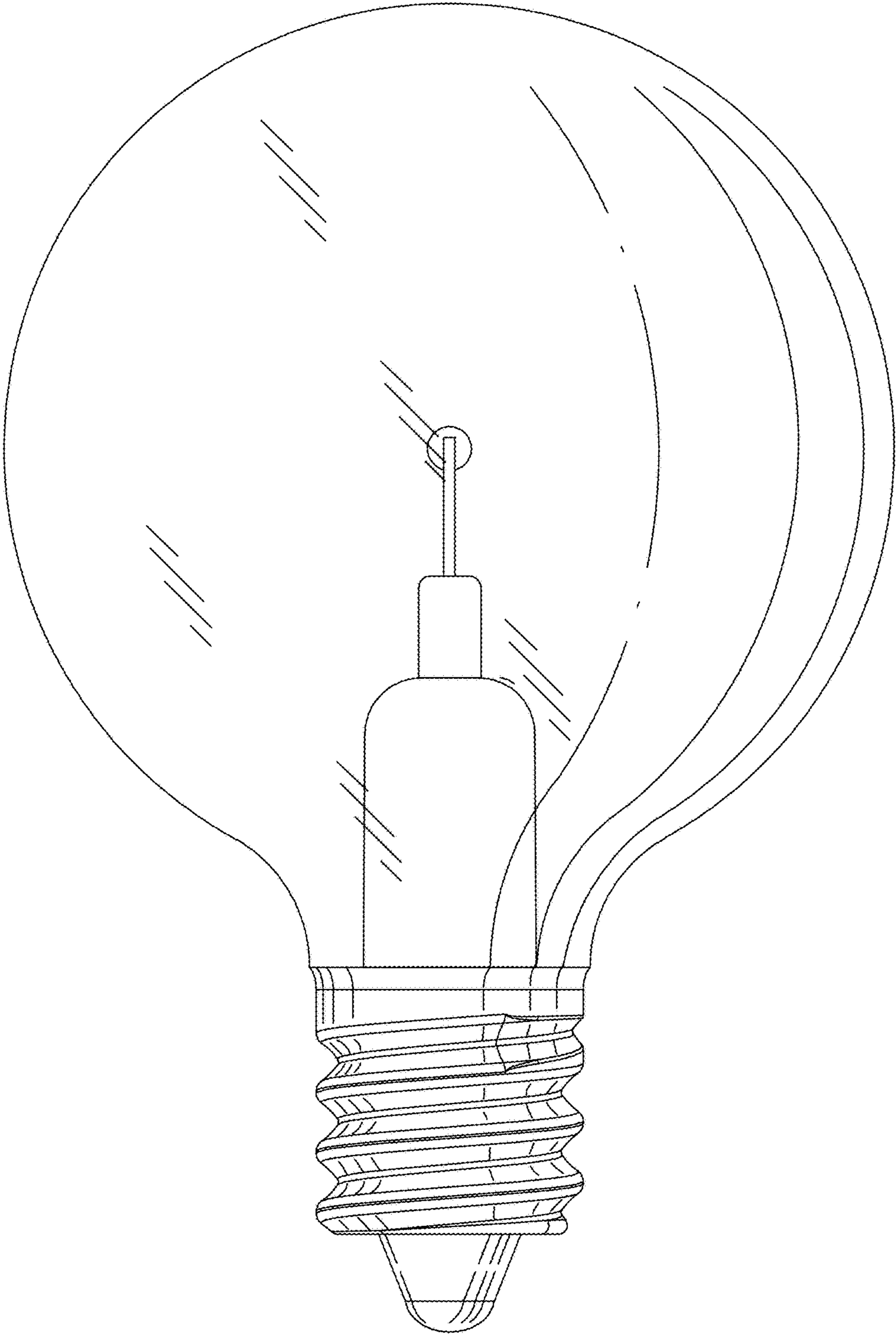


Fig. 3

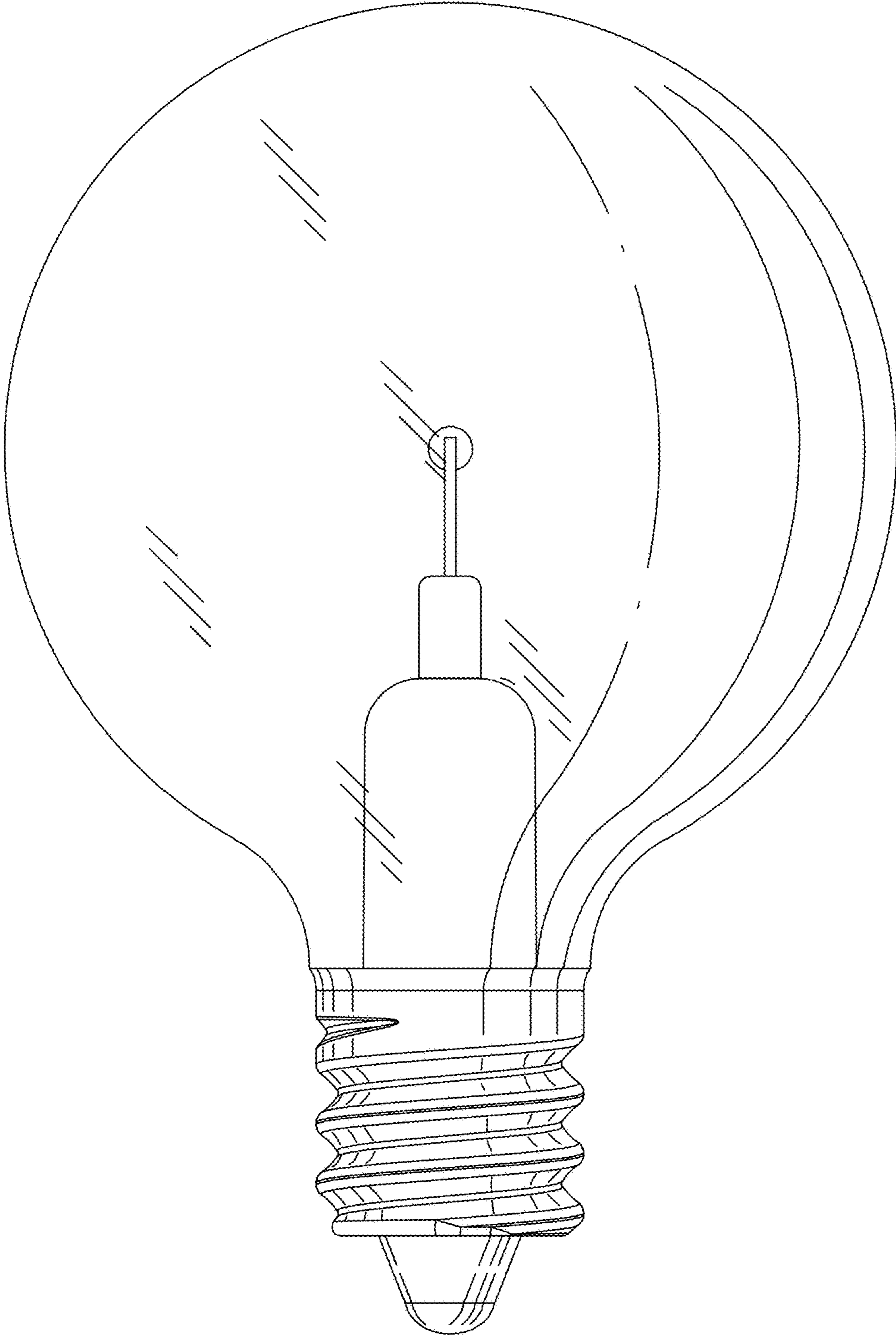


Fig. 4

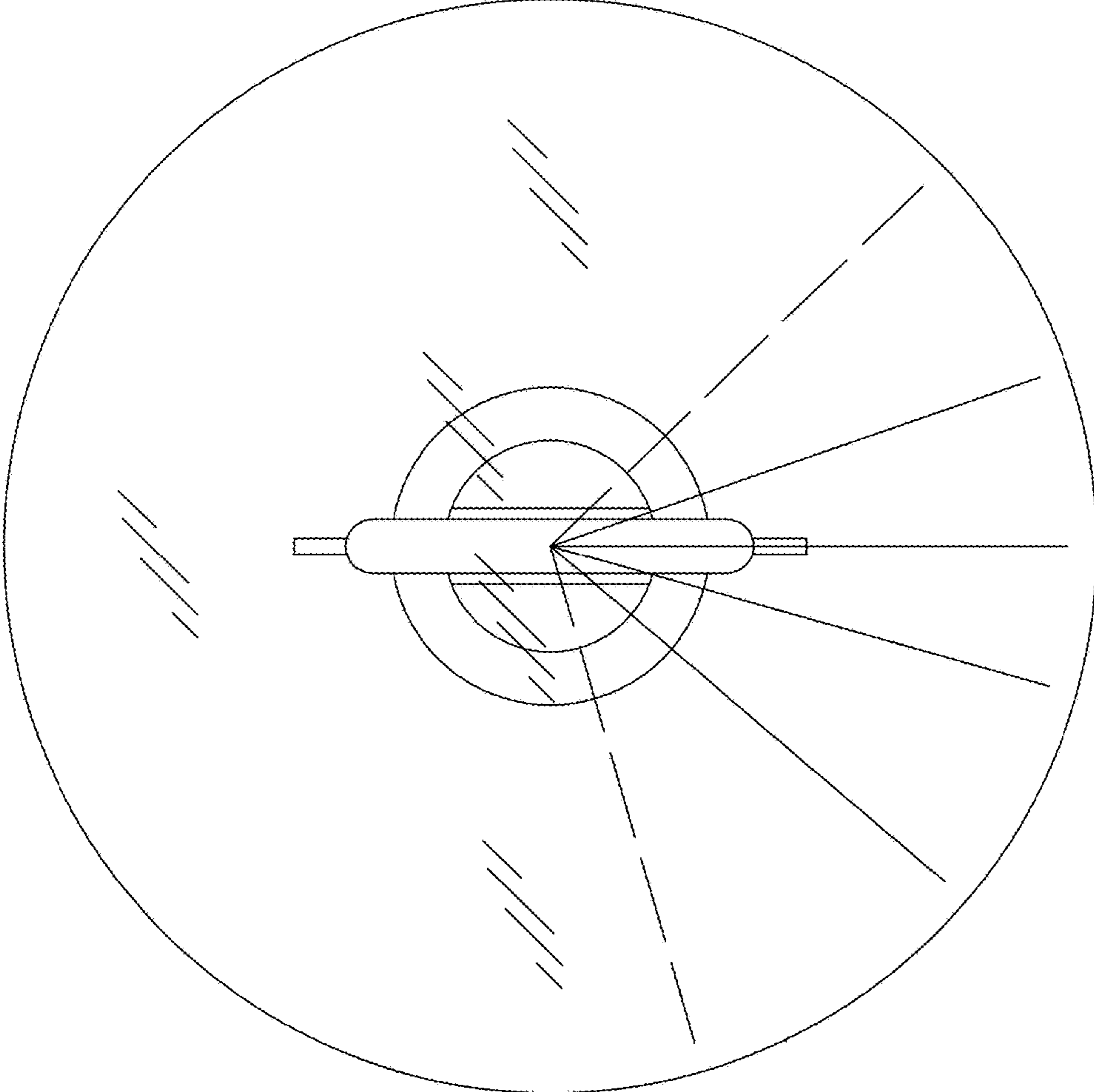


Fig. 5

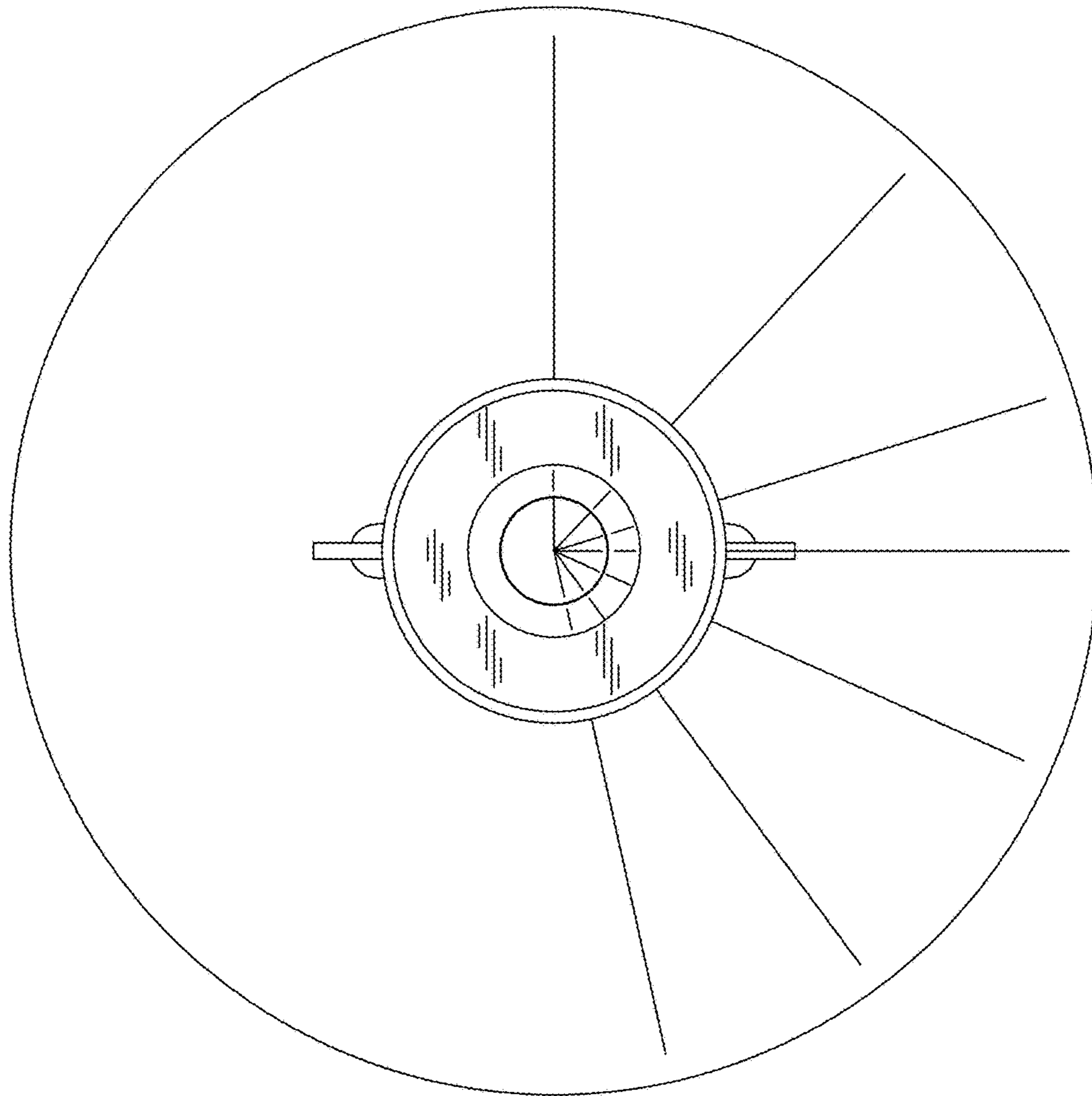


Fig. 6

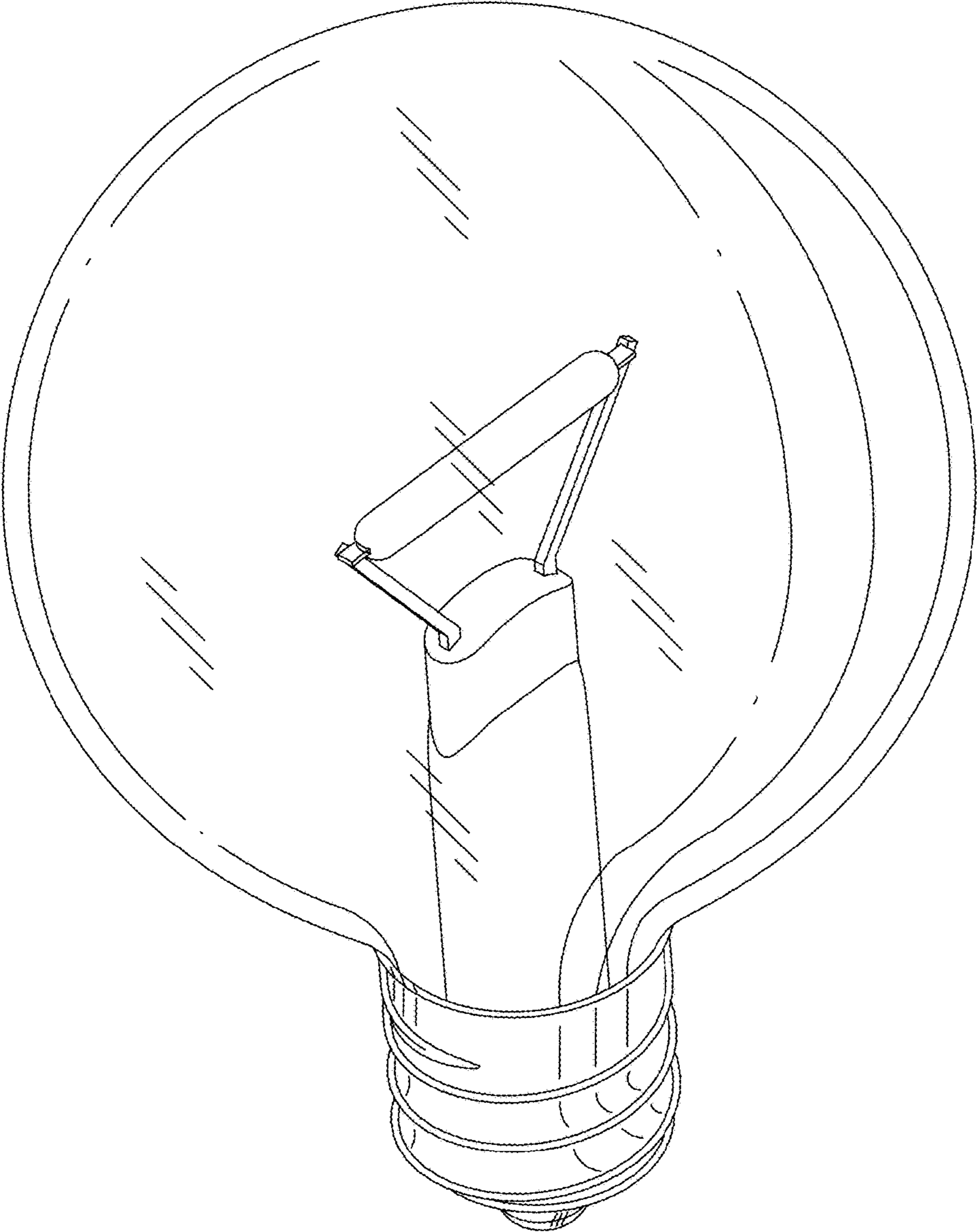


Fig. 7