

US00D863608S

(12) **United States Design Patent** (10) **Patent No.:** **US D863,608 S**  
**Yu** (45) **Date of Patent:** **\*\* Oct. 15, 2019**

(54) **LIGHT BULB**

D669,200 S \* 10/2012 Chen ..... D26/2  
D739,968 S \* 9/2015 Qin ..... D26/2  
D739,969 S \* 9/2015 Qin ..... D26/2

(71) Applicant: **Chengjia Yu**, Shenzhen (CN)

(72) Inventor: **Chengjia Yu**, Shenzhen (CN)

\* cited by examiner

(\*\*) Term: **15 Years**

*Primary Examiner* — Marcus A Jackson

(21) Appl. No.: **29/649,699**

(22) Filed: **May 31, 2018**

(57) **CLAIM**

(51) **LOC (12) Cl.** ..... **26-04**

The ornamental design for a light bulb, as shown and described.

(52) **U.S. Cl.**  
USPC ..... **D26/2**

(58) **Field of Classification Search**

USPC ..... D26/1-4  
CPC ..... H01R 5/00; H01R 13/46; H01R 13/514;  
H01R 31/048; H01R 31/02; H01J 5/00;  
H01J 5/16; H01J 1/02; H01J 15/00; H01J  
5/48; H01J 5/50; H01J 19/54; F21V 5/00;  
F21K 9/00; F21K 13/00; F21K 9/13;  
F21K 9/135; F21K 9/1375

**DESCRIPTION**

See application file for complete search history.

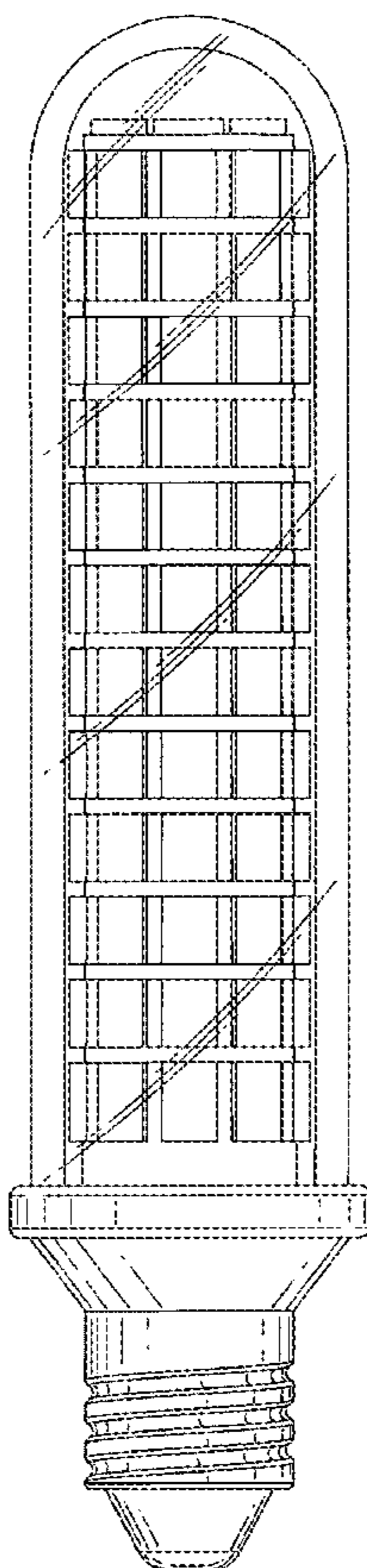
FIG. 1 is a front elevational view of a light bulb showing my new design;  
FIG. 2 is a rear elevational view thereof;  
FIG. 3 is a left side view thereof;  
FIG. 4 is a right side view thereof;  
FIG. 5 is a top plan view in enlarge scale thereof;  
FIG. 6 is a bottom plan view in enlarge scale thereof; and,  
FIG. 7 is a perspective view thereof.

(56) **References Cited**

**U.S. PATENT DOCUMENTS**

D574,091 S \* 7/2008 Sun ..... D26/2  
D631,567 S \* 1/2011 Lodhie ..... D26/2

**1 Claim, 7 Drawing Sheets**



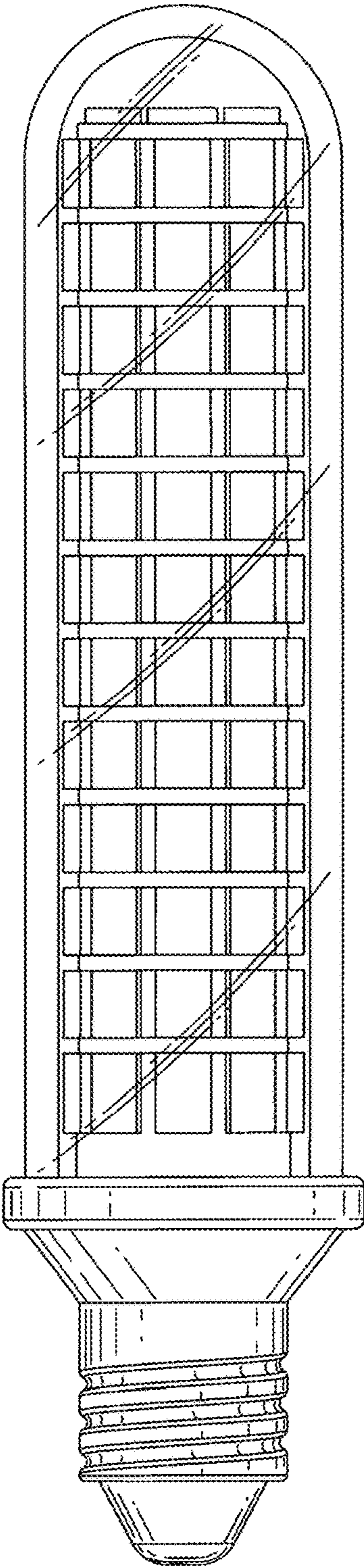


Fig. 1

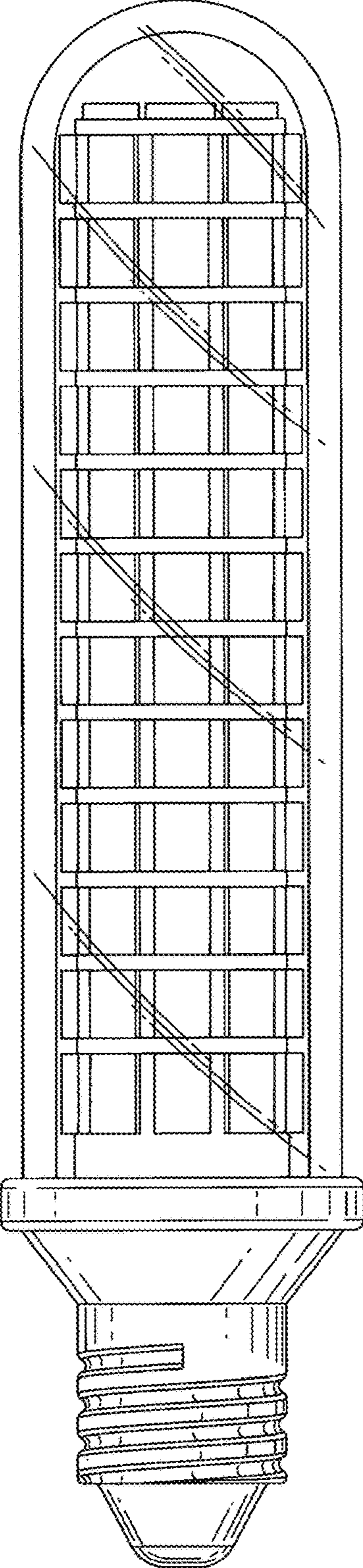


Fig. 2

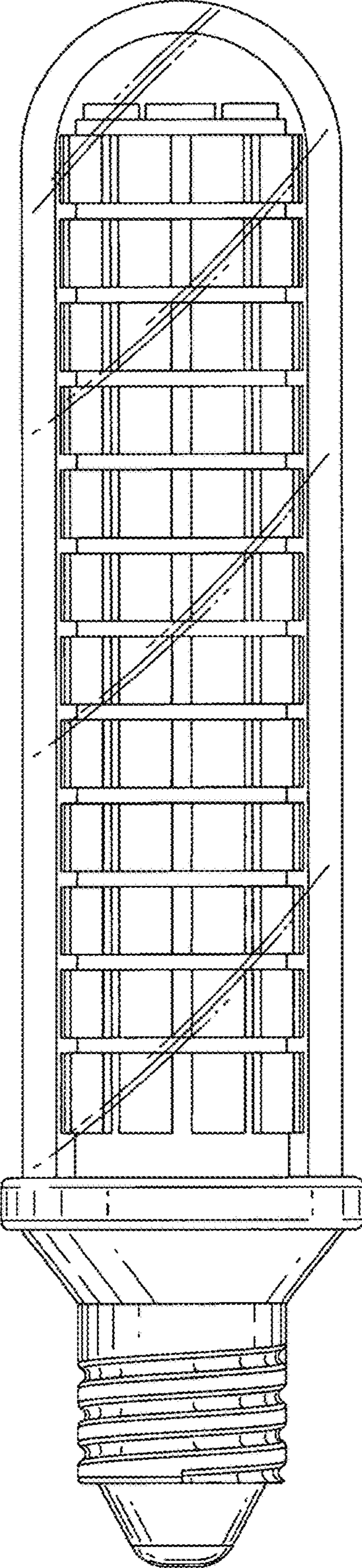


Fig. 3

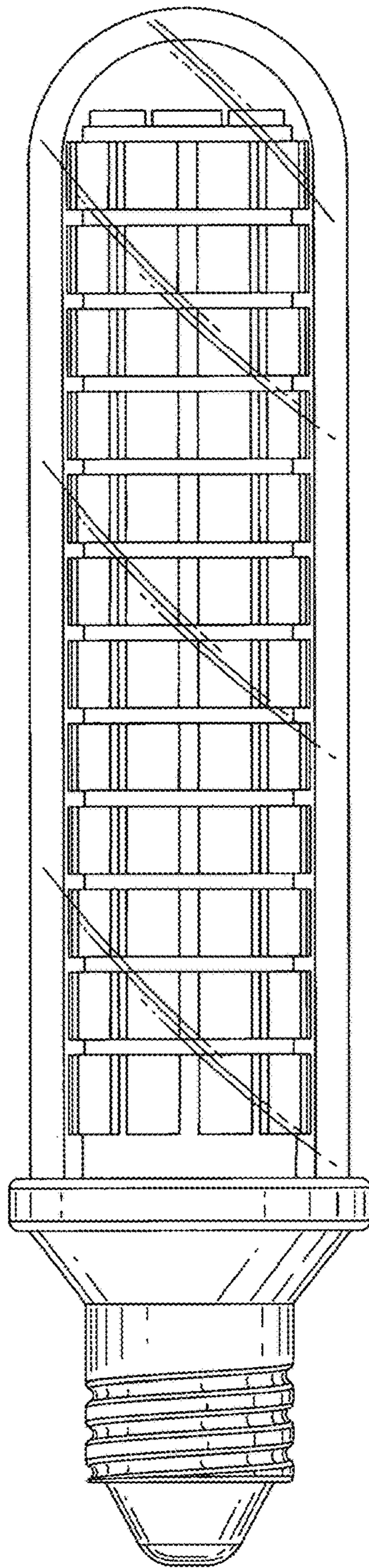
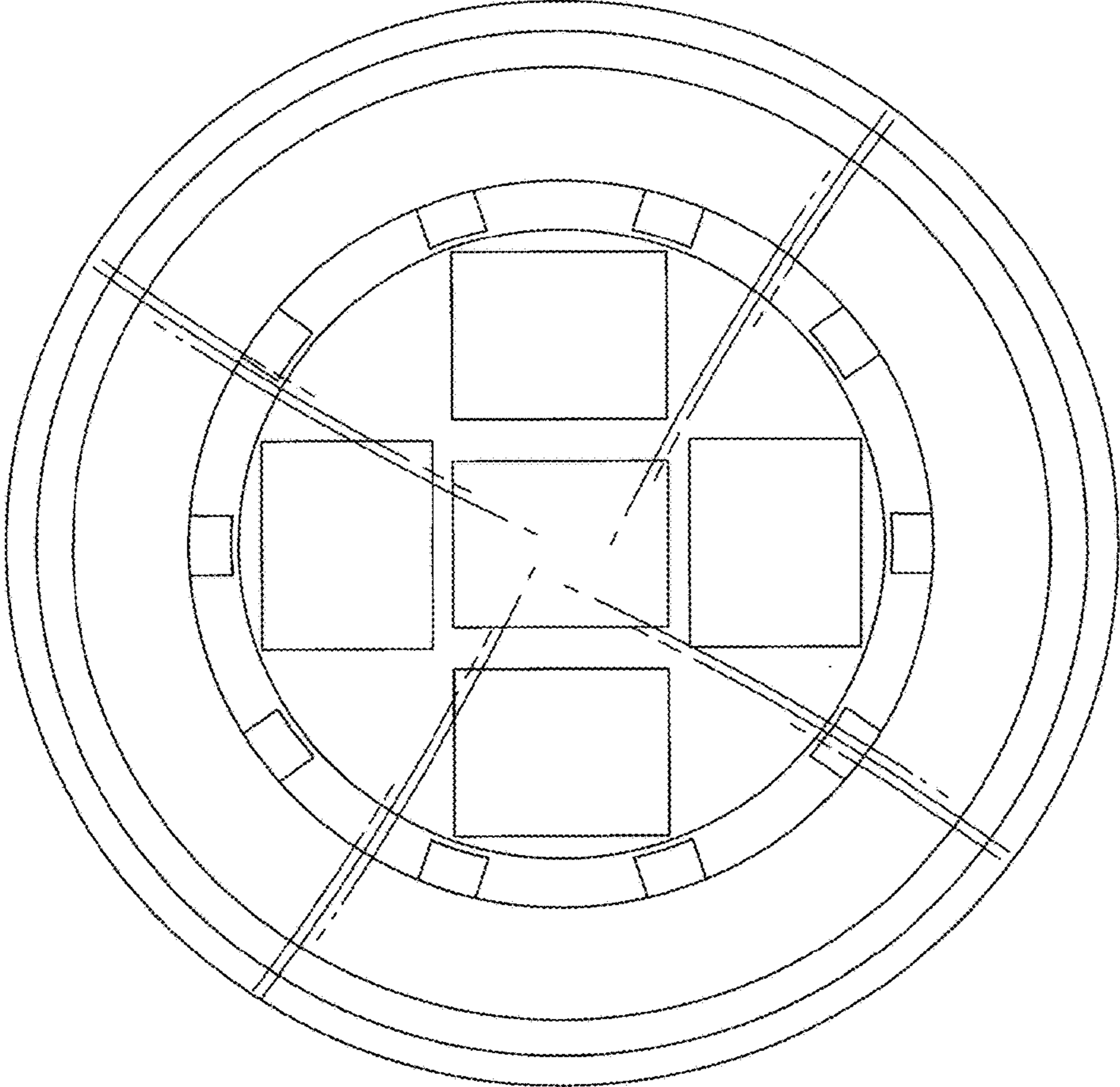
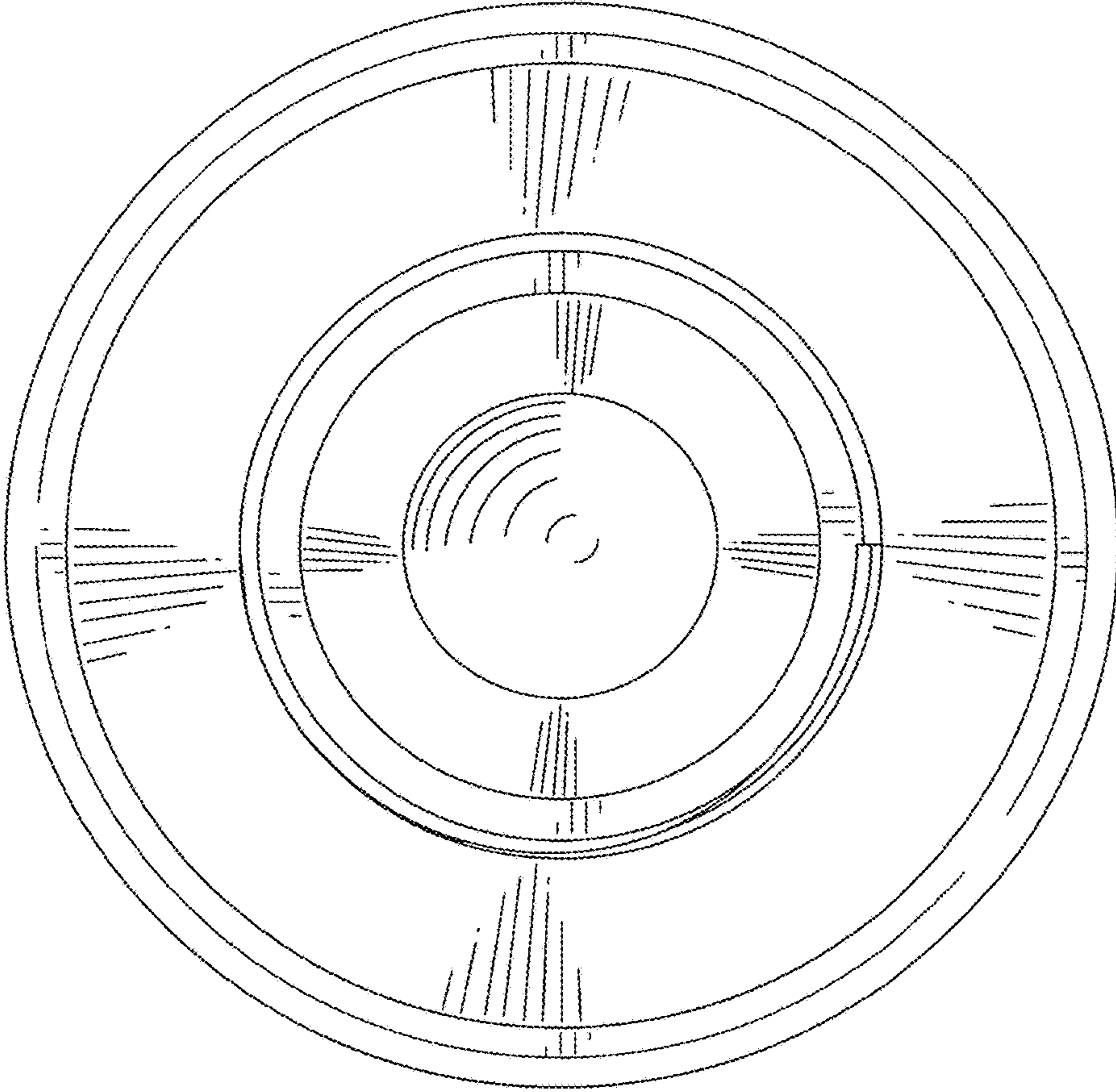


Fig. 4



**Fig. 5**



**Fig. 6**

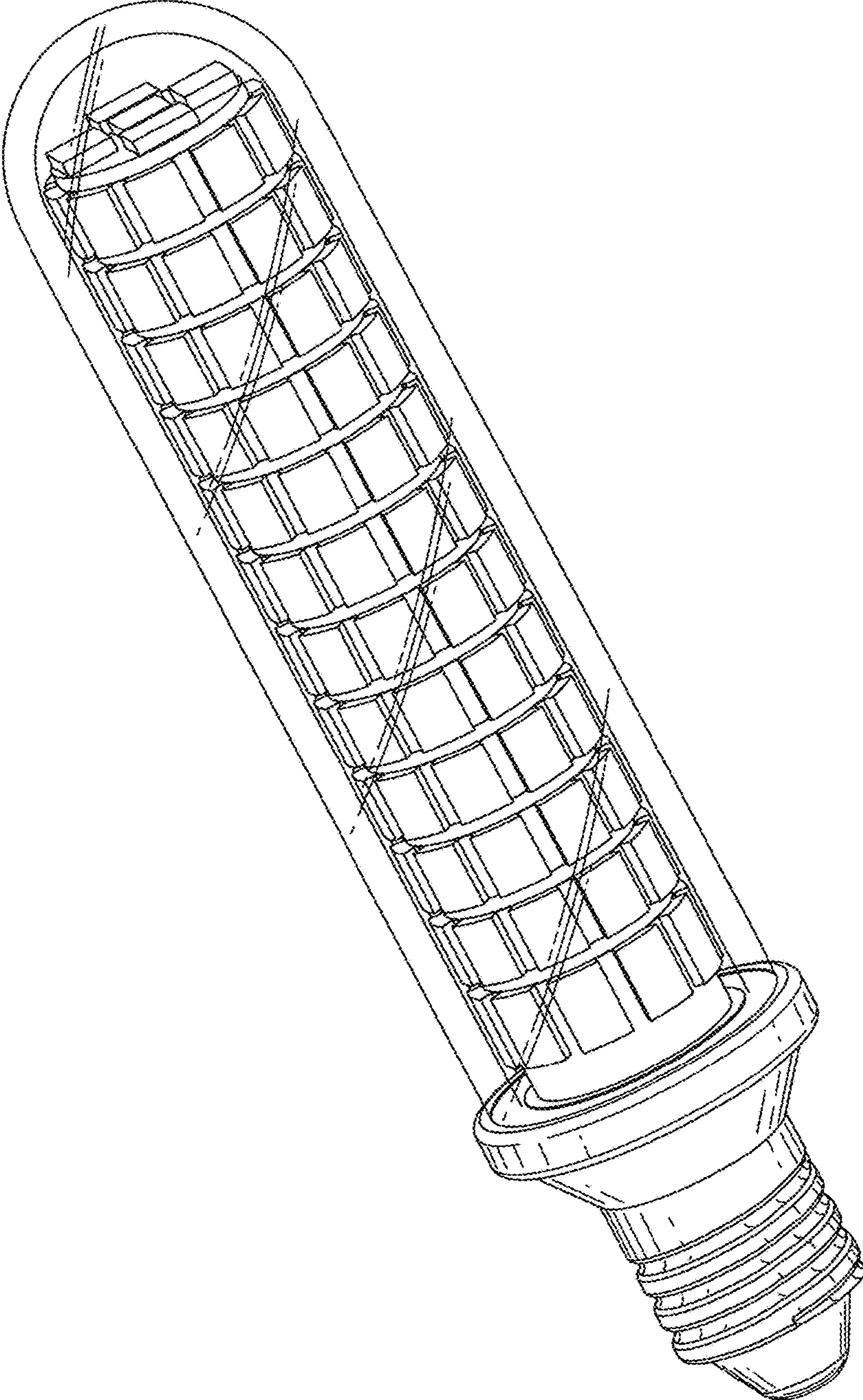


Fig. 7