



US00D863604S

(12) **United States Design Patent** (10) **Patent No.:** **US D863,604 S**
Sexton et al. (45) **Date of Patent:** **** Oct. 15, 2019**

(54) **SIDING PANEL**

(71) Applicant: **CERTAINEED CORPORATION**,
Malvern, PA (US)

(72) Inventors: **Neil J. Sexton**, Jackson, MI (US);
Brian W. Kirn, Hatboro, PA (US);
Ryan L. Applegate, Jackson, MI (US)

(73) Assignee: **CERTAINEED CORPORATION**,
Malvern, PA (US)

(**) Term: **15 Years**

(21) Appl. No.: **29/643,823**

(22) Filed: **Apr. 12, 2018**

Related U.S. Application Data

(62) Division of application No. 29/505,560, filed on Dec. 23, 2015, now Pat. No. Des. 818,151.

(51) **LOC (12) Cl.** **25-01**

(52) **U.S. Cl.**
USPC **D25/141**; D25/139

(58) **Field of Classification Search**
USPC D25/138, 139, 140, 141, 144, 163, 119,
D25/121, 122, 123, 124, 125; 52/78,
52/311.2, 314, 518-527, 536, 539, 546,
52/578, 588.1, 589.1, 782.1, 783.1, 482,
52/478, 510, 551, 715, 748.11
CPC E04C 2002/004; E04C 2002/005; E04C
2/02; E04C 2/38; E04C 2/40; E04C 2/08;
E04C 2/30; E04C 2/322; E04F 13/08;
E04F 13/0862; E04F 13/0866; E04F
13/0871; E04F 13/0876; E04F 13/0878;
E04F 13/0889; E04F 13/0894; E04F
13/09; E04F 13/0864; E04F 19/022; E04F
2201/0115; E04F 13/165; E04D 1/00;
E04D 1/02; E04D 1/06; E04D 1/12;
E04D 1/18; E04D 3/00; E04D 3/02;
E04D 3/16; E04D 3/24; E04D

(Continued)

(56) **References Cited**

U.S. PATENT DOCUMENTS

1,570,516 A * 1/1926 Miller E04D 1/125
52/530
1,579,693 A * 4/1926 Finkeldey E04D 1/18
52/531

(Continued)

OTHER PUBLICATIONS

NY New York Siding / Westchester siding / Putman siding /
Contractors (on-line), dated Mar. 3, 2010, 5 pages. [https://web.archive.org/web/20100303200906 http://www.sidingny.com](https://web.archive.org/web/20100303200906/http://www.sidingny.com).

(Continued)

Primary Examiner — Kevin K Rudzinski

Assistant Examiner — Kimberly Barnes

(74) *Attorney, Agent, or Firm* — Abel Schillinger, LLP;
Thomas H. Osborn

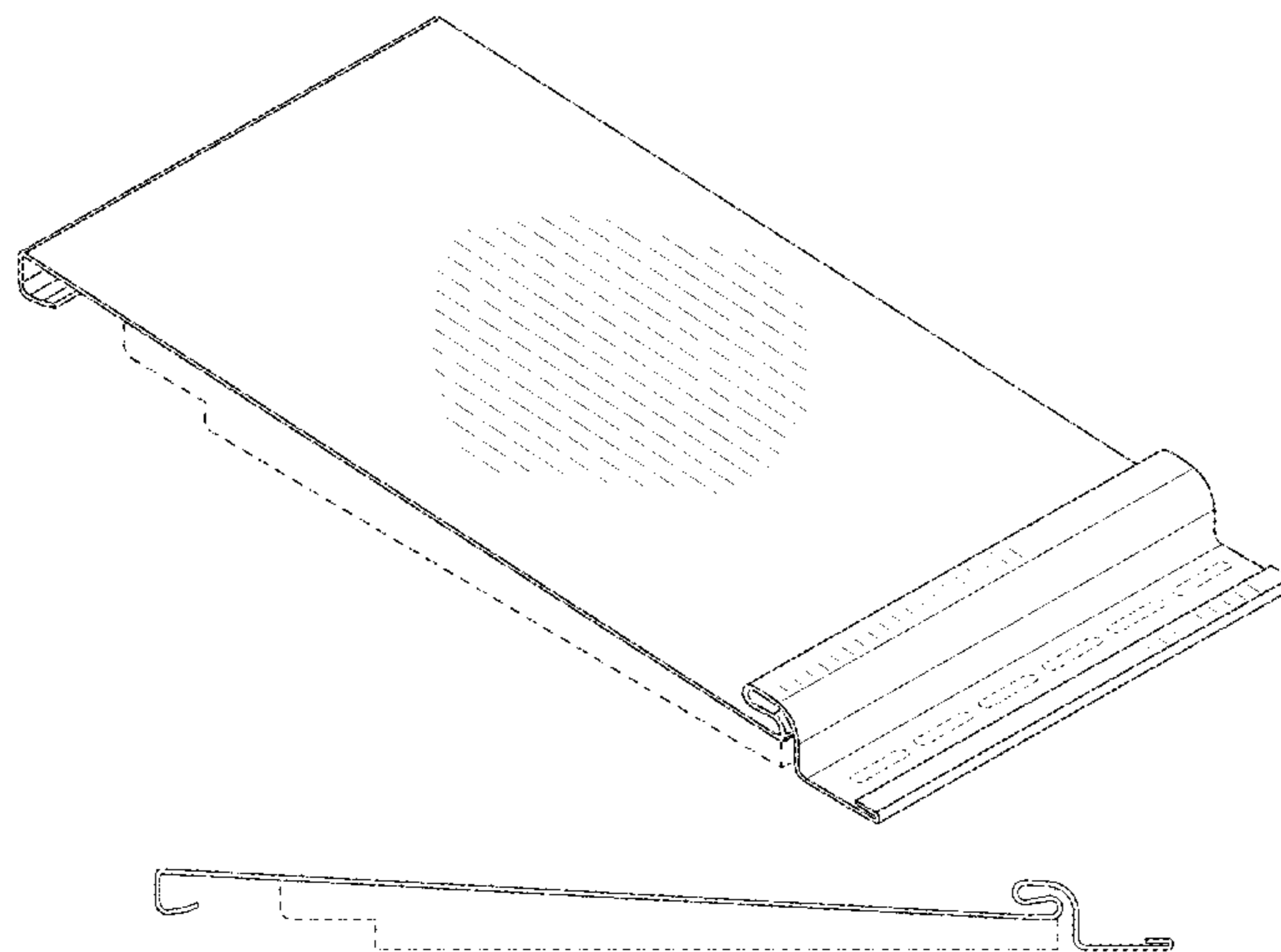
(57) **CLAIM**

The ornamental design for a siding panel, as shown and described.

DESCRIPTION

FIG. 1 is a top front isometric view of a siding panel showing my new design.
FIG. 2 is a front view of the siding panel of FIG. 1.
FIG. 3 is a rear view of the siding panel of FIG. 1.
FIG. 4 is a right side view of the siding panel of FIG. 1.
FIG. 5 is a left side view of the siding panel of FIG. 1.
FIG. 6 is a top view of the siding panel of FIG. 1; and,
FIG. 7 is a bottom view of the siding panel of FIG. 1.
The broken lines in the drawings depict portions of the siding panel that form no part of the claimed design.
The present invention relates in general to exterior cladding for buildings and, in particular, to a siding panel for a building.

1 Claim, 5 Drawing Sheets



US D863,604 S

Page 2

- (58) **Field of Classification Search**
CPC 3/30; E04D 3/361; E04D 3/368; E04D
3/362; E04D 3/363; E04D 3/364; E04D
11/02; E04B 1/6141; E04B 2/96; E04B
5/40

See application file for complete search history.

(56) **References Cited**

U.S. PATENT DOCUMENTS

3,001,332 A * 9/1961 Wilder E04B 1/7076
227/68
3,159,943 A * 12/1964 Sugar E04F 13/0864
174/2
3,248,835 A 5/1966 Westlind
3,485,004 A * 12/1969 Mattes E04F 13/0864
52/520
3,520,099 A 7/1970 Mattes
4,187,661 A * 2/1980 Poiry E04G 23/02
52/514
4,274,236 A * 6/1981 Kessler E04C 2/205
428/159
4,506,486 A 3/1985 Culpepper, Jr. et al.
4,598,522 A 7/1986 Hoofe, III
4,782,638 A 11/1988 Hovind
4,864,787 A * 9/1989 Bukowski E04F 13/0864
52/284
4,864,788 A 9/1989 Tippmann
5,150,555 A 9/1992 Wood
5,363,623 A 11/1994 King
5,465,543 A 11/1995 Seifert
5,475,963 A 12/1995 Chelednik
5,548,940 A 8/1996 Baldock
5,575,127 A 11/1996 O'Neal
5,651,227 A 7/1997 Anderson
5,661,939 A 9/1997 Coulis et al.
5,768,844 A 6/1998 Grace, Sr. et al.
5,857,303 A 1/1999 Beck et al.
6,029,415 A 2/2000 Culpepper et al.
6,065,260 A 5/2000 Dickey et al.
D448,865 S 10/2001 Manning
D450,138 S 11/2001 Barber
6,321,500 B1 11/2001 Manning et al.
D452,334 S * 12/2001 Gilbert D25/143
6,341,464 B1 1/2002 Dickey et al.
6,431,463 B2 1/2002 Dickey et al.
6,415,574 B2 * 7/2002 Beck B29C 47/0019
52/518

D471,292 S 3/2003 Barber
6,526,718 B2 * 3/2003 Manning E04F 13/0864
52/309.8
6,907,702 B2 6/2005 Gilbert et al.
6,971,211 B1 12/2005 Zehner
7,040,067 B2 5/2006 Mowery et al.
D530,833 S 10/2006 Robertson et al.
7,186,457 B1 3/2007 Zehner et al.
7,188,454 B2 3/2007 Mowery et al.
7,685,787 B1 3/2010 Mollinger et al.
7,712,276 B2 5/2010 Gilbert et al.
7,739,847 B2 6/2010 Griman
7,779,594 B2 8/2010 Mowery et al.
7,908,814 B2 3/2011 Wilson et al.
7,934,352 B1 5/2011 Mollinger et al.
7,984,597 B2 7/2011 Mollinger et al.
8,006,455 B1 8/2011 Mollinger et al.
8,069,629 B2 12/2011 Rockwell et al.
8,091,313 B2 1/2012 Wilson et al.
8,225,567 B1 7/2012 Mollinger et al.
8,225,568 B1 7/2012 Mollinger et al.
8,225,573 B2 * 7/2012 Wilson E04F 13/0864
52/309.8
8,336,269 B1 * 12/2012 Mollinger E04F 13/007
428/167
8,381,472 B1 2/2013 Fleenor
8,458,978 B2 * 6/2013 Mahaffey E04F 13/0864
52/309.4
8,511,030 B2 8/2013 Wilson et al.
8,621,811 B2 * 1/2014 Hartman B29C 47/908
52/309.8
8,756,892 B2 6/2014 Wilson et al.
9,267,289 B2 2/2016 Vander Laan et al.
9,428,910 B2 * 8/2016 Olvey E04C 2/292
D768,883 S * 10/2016 Wade D25/141
D818,151 S 5/2018 Sexton et al.
D831,233 S * 10/2018 Anderson D25/141
2012/0251227 A1 10/2012 Owens
2012/0285109 A1 11/2012 Mollinger et al.
2016/0047128 A1 2/2016 Yoder et al.
2018/0202167 A1 * 7/2018 Culpepper E04F 13/075

OTHER PUBLICATIONS

Insulated Siding Colors and Styles / CertainTeed (on-line). <https://www.certainteed.com/siding/insulated-sliding-colors-styles>.

* cited by examiner

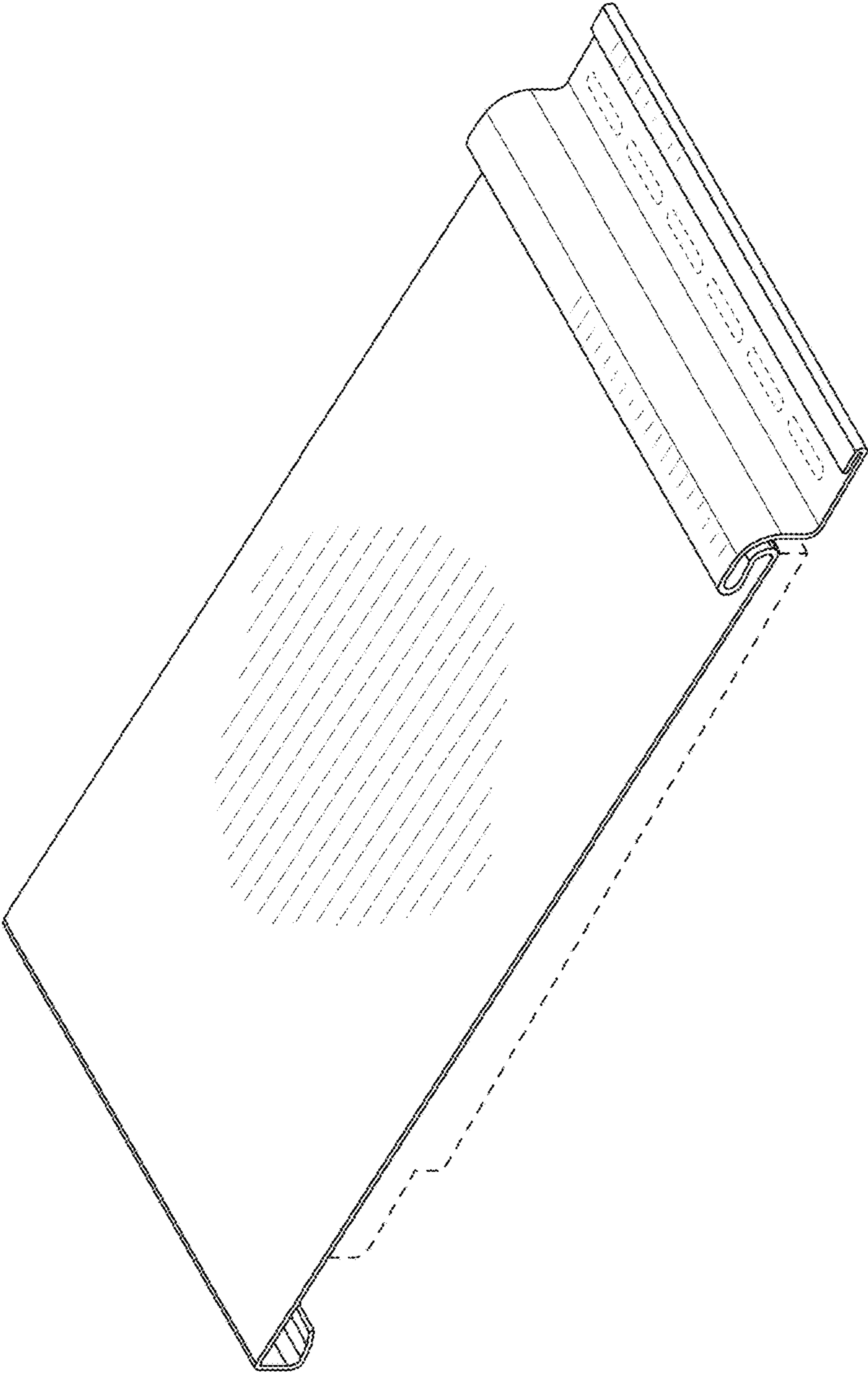


FIG. 1

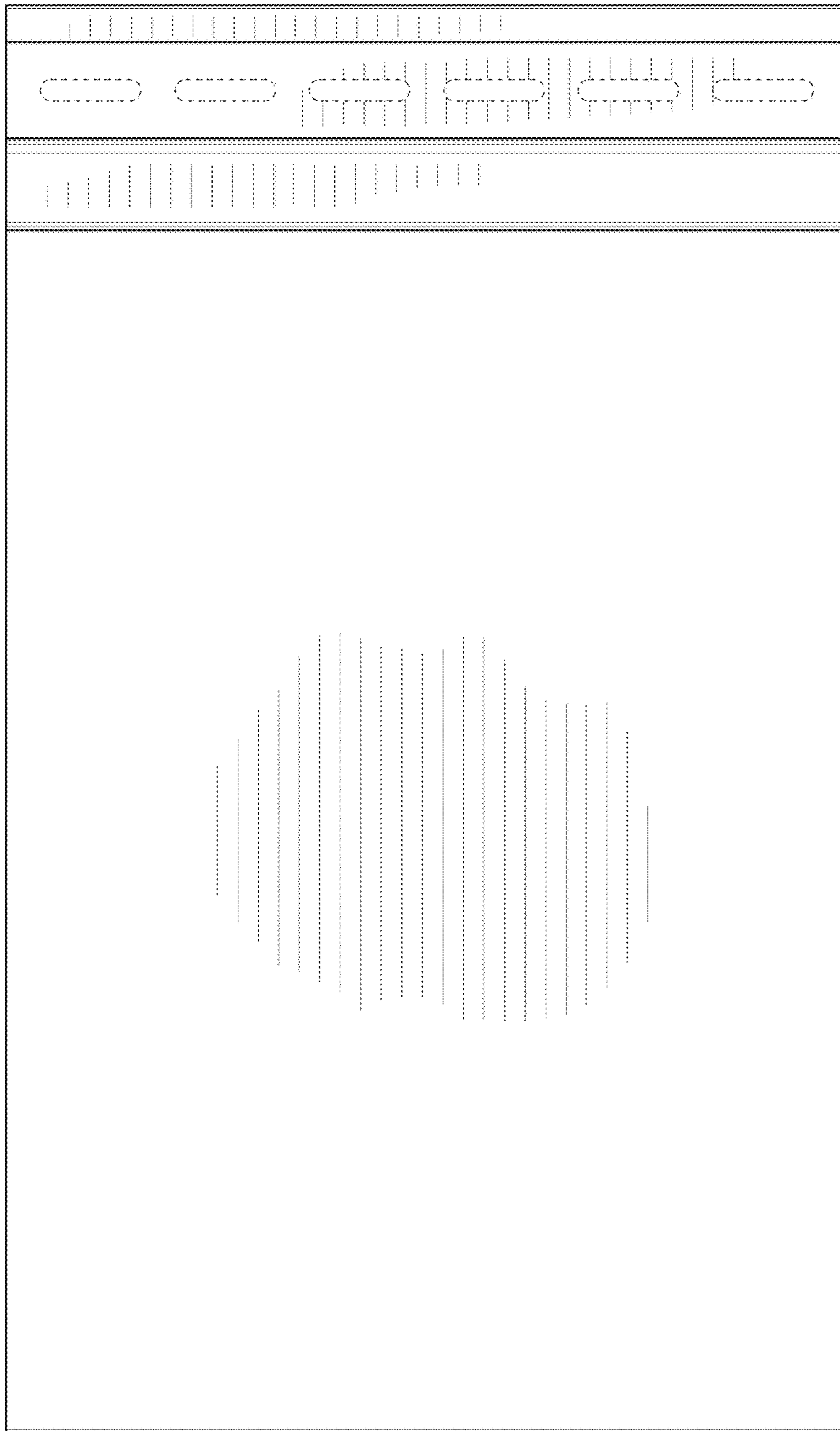


FIG. 2



FIG. 3

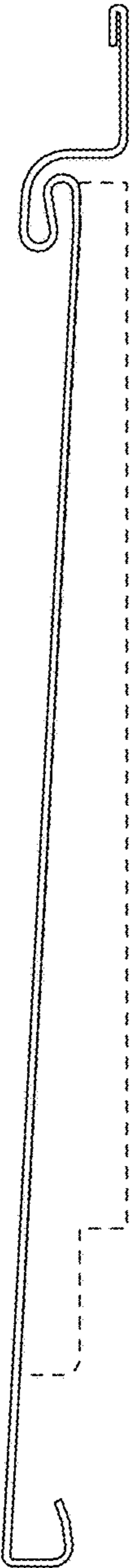


FIG. 4

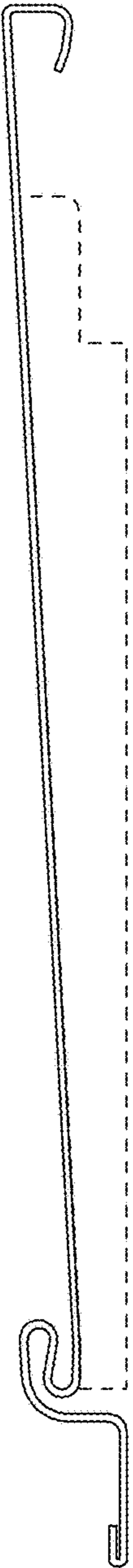


FIG. 5

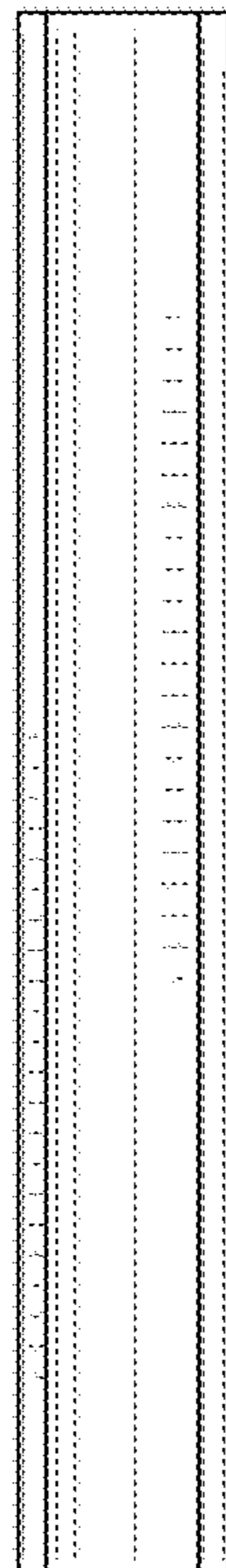


FIG. 6

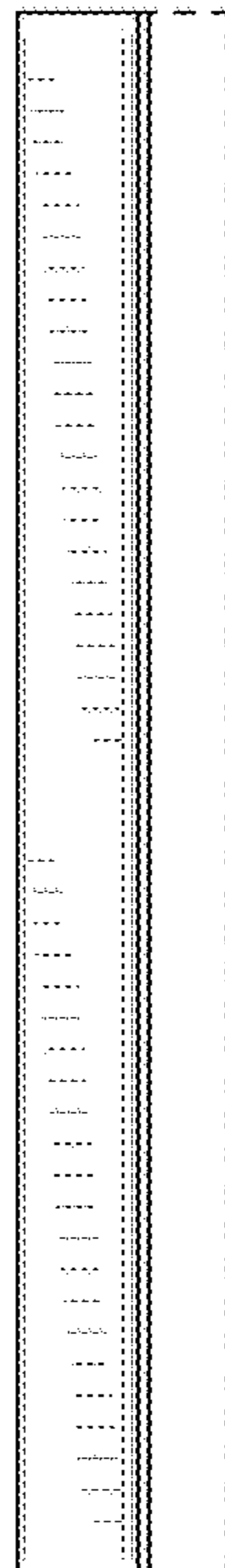


FIG. 7