



US00D863600S

(12) **United States Design Patent**
Chao

(10) **Patent No.:** **US D863,600 S**

(45) **Date of Patent:** **** Oct. 15, 2019**

- (54) **MOSAIC TILE WITH NOTCH**
- (71) Applicant: **Cersai Building Material Co., Ltd., Nanjing (CN)**
- (72) Inventor: **Kuo Chiang Chao, Shanghai (TW)**
- (73) Assignee: **CERSAI BUILDING MATERIAL CO., LTD., Nanjing (CN)**
- (**) Term: **15 Years**
- (21) Appl. No.: **29/654,554**
- (22) Filed: **Jun. 26, 2018**

- 2,633,662 A * 4/1953 Nelson A63H 33/06
446/114
- 3,564,758 A * 2/1971 Willis A63H 33/06
446/109
- D227,023 S * 5/1973 Baker D21/484
- 3,855,748 A * 12/1974 Thomas A63B 9/00
52/578
- D236,222 S * 8/1975 McAllister et al. D21/489
- 4,065,220 A * 12/1977 Ruga E04B 1/1903
403/169
- D258,744 S * 3/1981 Ruga D21/484
- 4,635,351 A * 1/1987 Koch B21D 35/00
29/598
- D297,303 S * 8/1988 Finklestein D21/489
- 5,102,129 A * 4/1992 Roberts A63B 5/22
273/239

(Continued)

(30) **Foreign Application Priority Data**

Mar. 27, 2018 (CN) 2018 3 0117008

(51) **LOC (12) Cl.** **25-01**

(52) **U.S. Cl.**
USPC **D25/138**

(58) **Field of Classification Search**

USPC D25/103, 106, 109, 110, 111, 112, 138,
D25/140, 149, 151, 157, 158, 159, 160,
D25/161, 162, 163; 52/311.1, 311.2, 314,
52/596; 428/44, 49, 50, 51; D5/43, 44,
D5/53, 58; D21/386, 390, 484, 502;
D20/22; 446/105, 109, 114, 116, 125
CPC . E04F 13/0871; E04F 13/0873; E04F 13/105;
E04F 13/123; E04F 13/145; E04F 13/165;
E04F 13/185; E04B 5/08; E04B 5/44;
A63F 9/00

See application file for complete search history.

(56) **References Cited**

U.S. PATENT DOCUMENTS

- 2,027,885 A * 1/1936 Schwarzbach A63H 33/06
446/105
- D136,394 S * 9/1943 Cooper D21/386
- 2,489,613 A * 11/1949 Beswick F16B 37/0864
411/433

OTHER PUBLICATIONS

Hexagon Solid Aluminum Mosaic Products Cersai Building Material Co. (on-line), no date available. Retrieved from Internet Aug. 1, 2019, URL: <https://www.cersai.com.cn/nav/34.html> (2 pages).*

Primary Examiner — Vy N Koenig

Assistant Examiner — Kimberly Barnes

(74) *Attorney, Agent, or Firm* — Gokalp Bayramoglu

(57) **CLAIM**

The ornamental design for a mosaic tile with notch, as shown and describe.

DESCRIPTION

FIG. 1 is a front view of a mosaic tile with notch showing the new design;

FIG. 2 is a rear view thereof;

FIG. 3 is a left side view thereof;

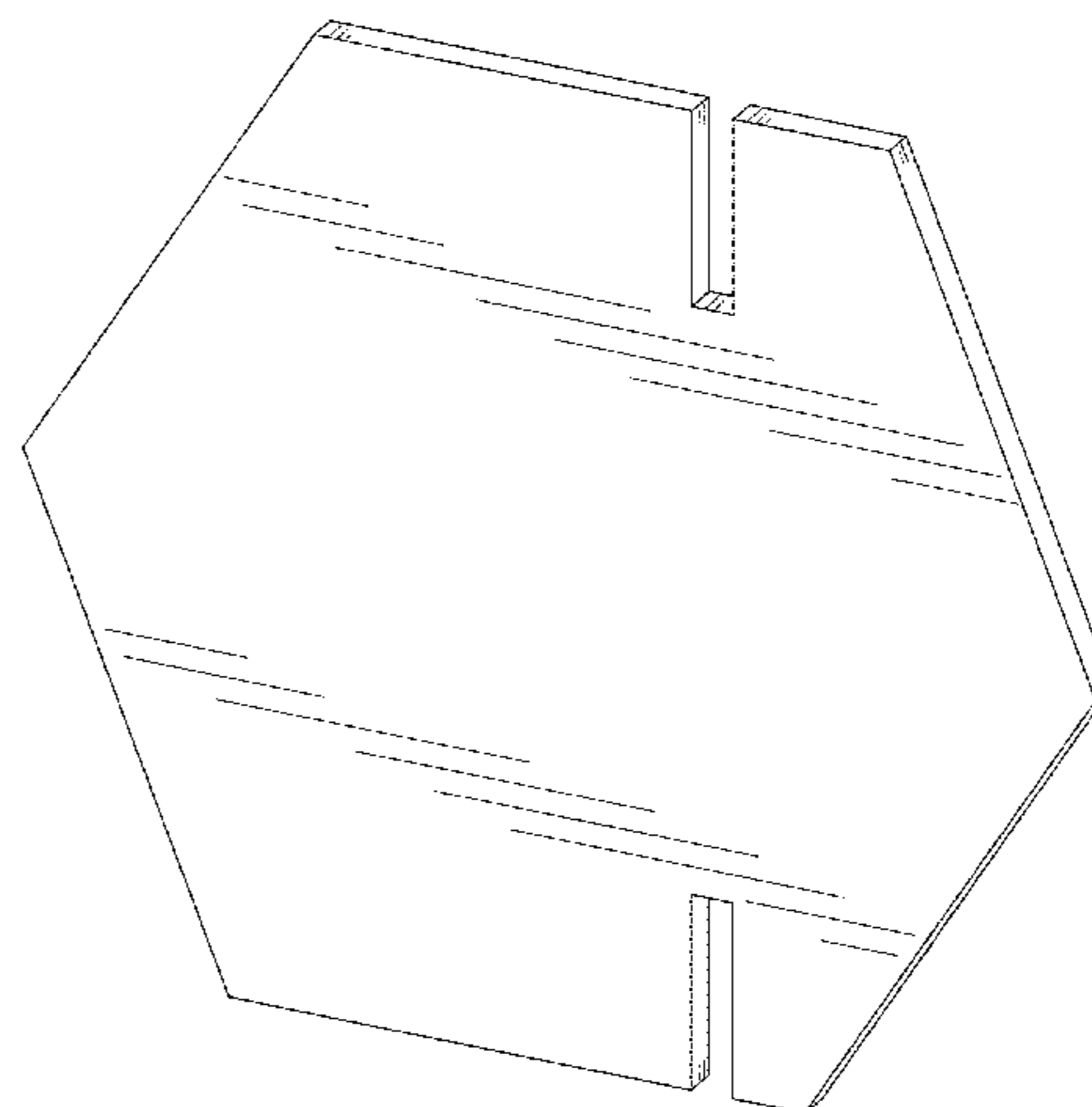
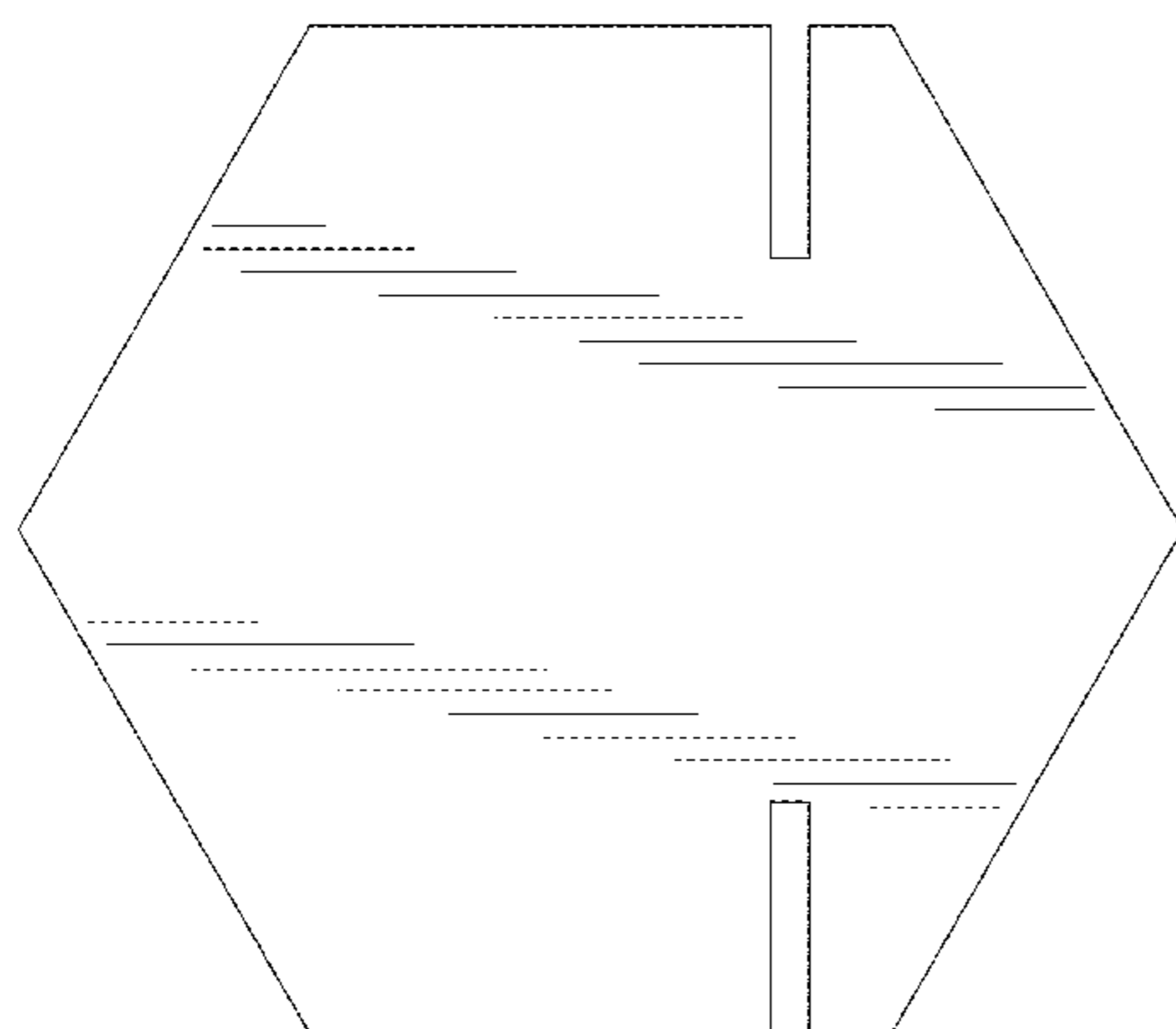
FIG. 4 is a right side view thereof;

FIG. 5 is a top view thereof;

FIG. 6 is a bottom view thereof; and,

FIG. 7 is a perspective view thereof.

1 Claim, 5 Drawing Sheets



(56)

References Cited

U.S. PATENT DOCUMENTS

5,593,337 A * 1/1997 Lapointe A63H 33/084
446/125
5,628,666 A * 5/1997 Tomczyk A63F 9/1288
446/114
D437,423 S * 2/2001 Lin D25/114
D509,604 S * 9/2005 Zarifian D25/158
7,182,989 B2 * 2/2007 Higgins A47G 27/0293
428/51
7,273,404 B2 * 9/2007 Kowalski A63H 33/046
446/114
D577,332 S * 9/2008 Moore D13/102
D588,208 S * 3/2009 Sinisi D21/502
D605,236 S * 12/2009 Sinisi D21/502
D723,629 S * 3/2015 Kanbar D21/484
D773,565 S * 12/2016 Waldeck D21/386
D802,680 S * 11/2017 Moscatelli D21/386
10,272,322 B2 * 4/2019 Kim A63F 3/0423

* cited by examiner

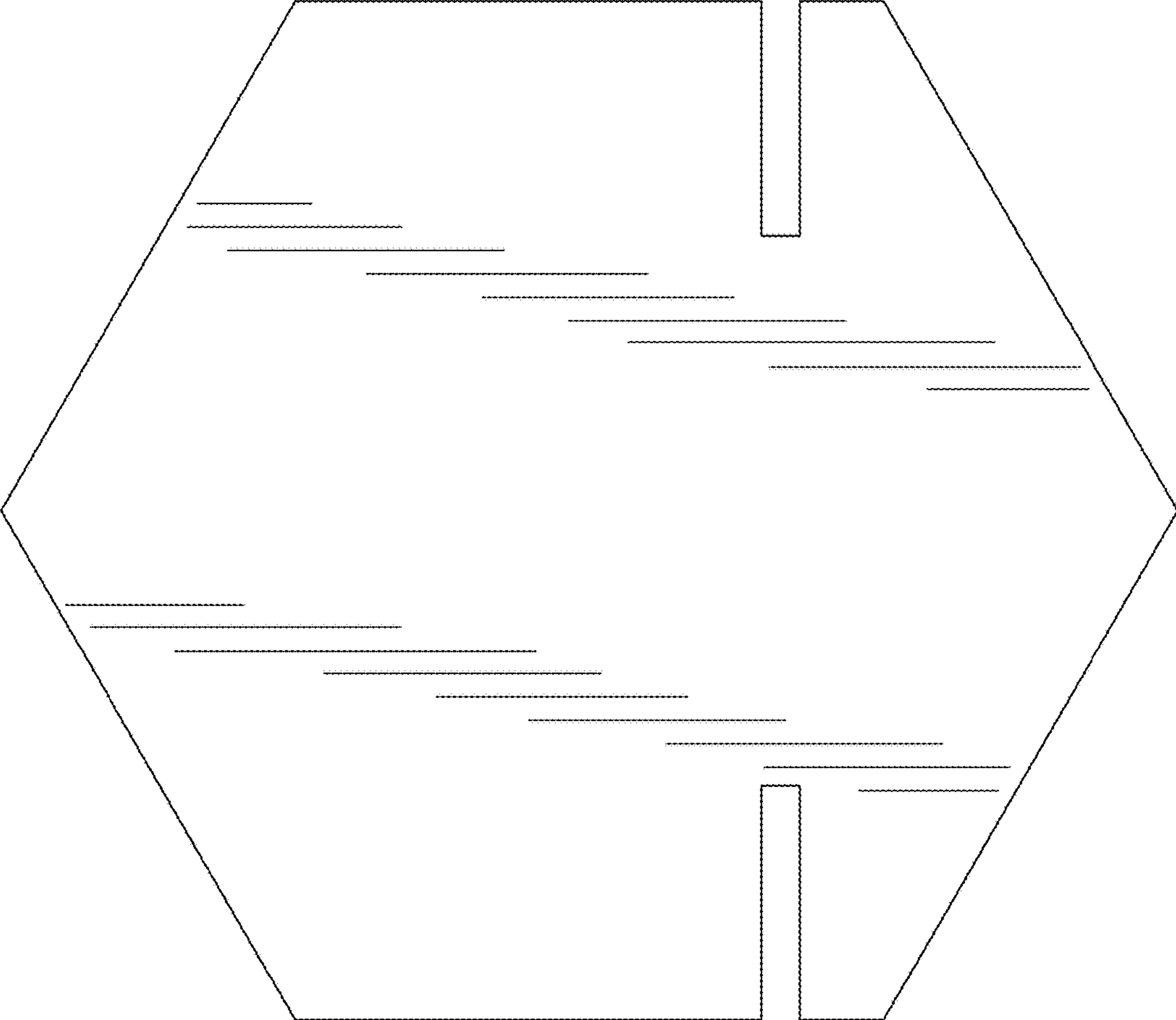


Fig. 1

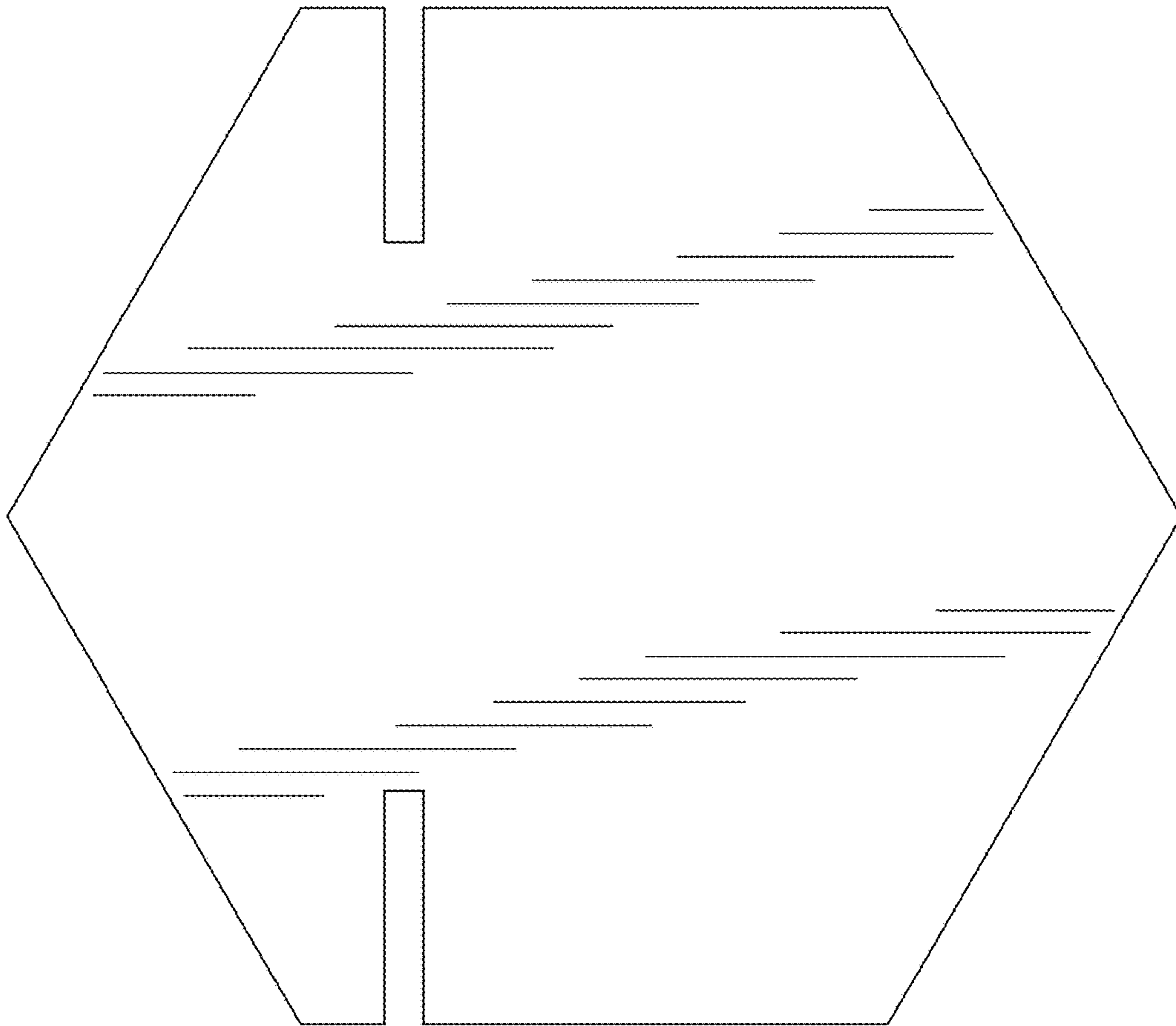


Fig. 2

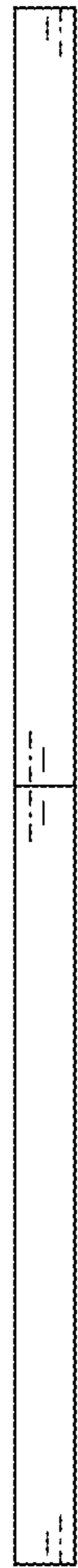


Fig. 3



Fig. 4



Fig. 5



Fig. 6

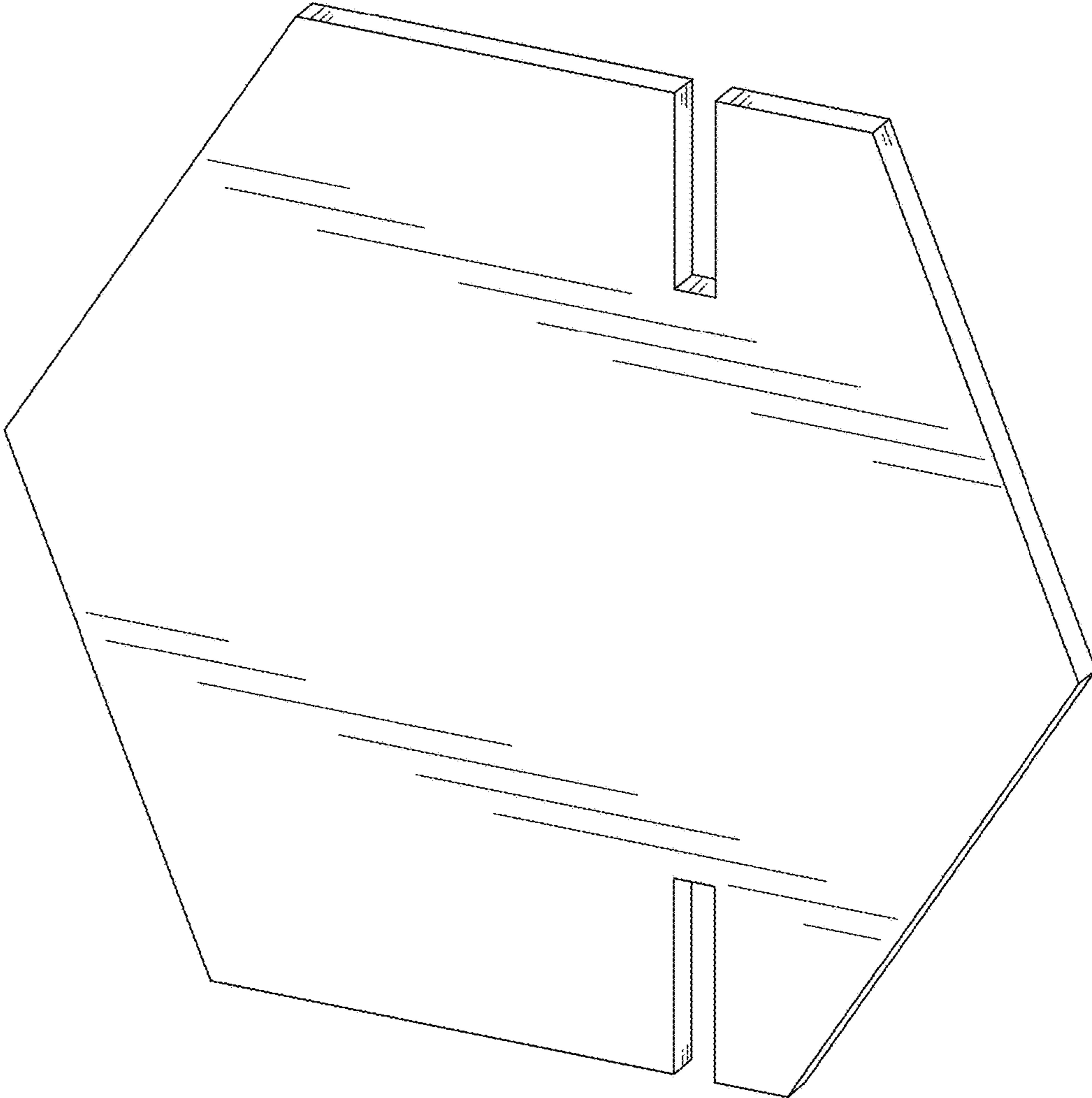


Fig. 7