



US00D863595S

(12) **United States Design Patent** (10) **Patent No.:** **US D863,595 S**
Liao et al. (45) **Date of Patent:** **** Oct. 15, 2019**

(54) **LIGHT STRIP**

(71) Applicant: **Weijun Liao**, Ganzhou, Jiangxi Province (CN)

(72) Inventors: **Weijun Liao**, Ganzhou (CN); **Long Gao**, Ganzhou (CN); **Wanfen Lin**, Jinjiang (CN)

(73) Assignee: **Weijun Liao**, Ganzhou, Jiangxi Province (CN)

(**) Term: **15 Years**

(21) Appl. No.: **29/633,072**

(22) Filed: **Jan. 12, 2018**

(30) **Foreign Application Priority Data**

Dec. 19, 2017 (CN) 2017 3 0652395

(51) **LOC (12) Cl.** **26-05**

(52) **U.S. Cl.**
USPC **D25/25**; D26/80

(58) **Field of Classification Search**
USPC D26/42, 58, 72, 75, 76, 80, 81, 86, 90, D26/102, 25, 83; D10/106.6, 106.8
CPC F21V 7/005; F21V 7/0008; F21V 7/0016; F21V 21/00; F21V 21/005; F21V 21/008; F21V 21/35; F21S 8/031; F21S 8/038; F21S 8/04; F21S 8/06; F21S 8/063; F21S 8/066; F21S 4/00; F21S 4/28; F21Y 2101/00; F21Y 2103/00; F21Y 2103/10
See application file for complete search history.

(56) **References Cited**

U.S. PATENT DOCUMENTS

D148,251 S * 12/1947 Pretzer et al. D26/78
3,748,463 A * 7/1973 Trassinelli F21S 6/005
362/269
D510,452 S * 10/2005 Porter D26/80

D577,858 S * 9/2008 Chetcuti D26/142
D620,174 S * 7/2010 Sabernig D26/83
D655,447 S * 3/2012 Sabernig D26/113
D656,653 S * 3/2012 Sabernig D26/83
D826,461 S * 8/2018 Sonneman D26/90
D841,876 S * 2/2019 Huang D26/138
2005/0157506 A1 * 7/2005 Chen F21S 6/002
362/391
2008/0068830 A1 * 3/2008 Sharma F21L 4/00
362/147
2009/0279298 A1 * 11/2009 Mier-Langner F21V 21/096
362/235
2010/0181922 A1 * 7/2010 Noll F21V 21/35
315/178
2010/0271834 A1 * 10/2010 Muessli F21V 21/35
362/398
2016/0033098 A1 * 2/2016 Bergman H02G 3/20
362/418

* cited by examiner

Primary Examiner — Cathron C Brooks

(74) *Attorney, Agent, or Firm* — Li & Cai Intellectual Property Office

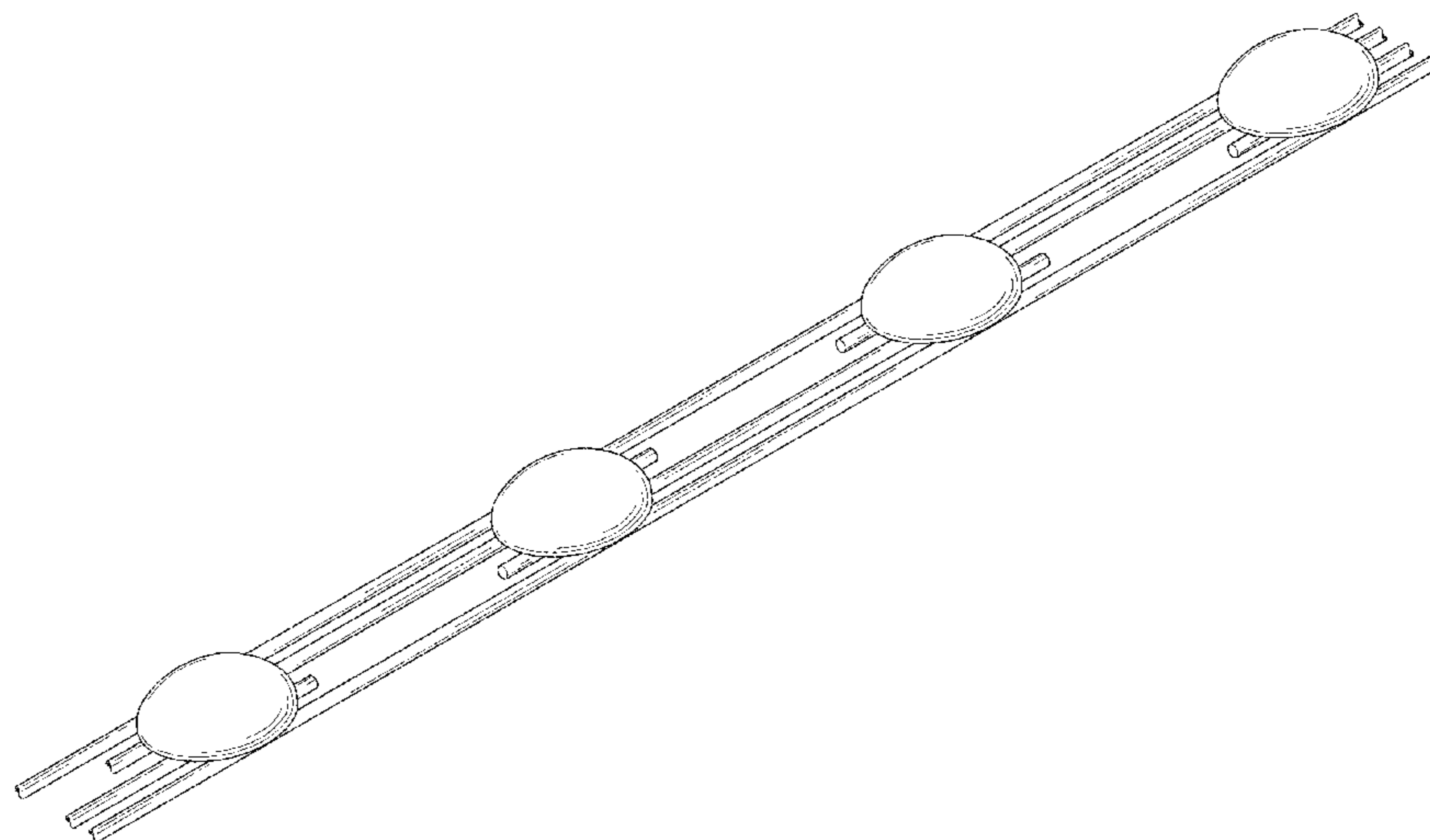
(57) **CLAIM**

The ornamental design for a “light strip”, as shown and described.

DESCRIPTION

FIG. 1 is a front, right and top perspective view of a light strip showing our new design;
FIG. 2 is a front elevational view thereof;
FIG. 3 is a rear elevational view thereof;
FIG. 4 is a left side elevational view thereof;
FIG. 5 is a right side elevational view thereof;
FIG. 6 is a top view plan thereof;
FIG. 7 is a bottom plan view thereof; and,
FIG. 8 is a rear, left and bottom perspective view thereof.
The broken lines in FIGS. 7 and 8 illustrate portions of the light strip that form no part of the claimed design.

1 Claim, 5 Drawing Sheets



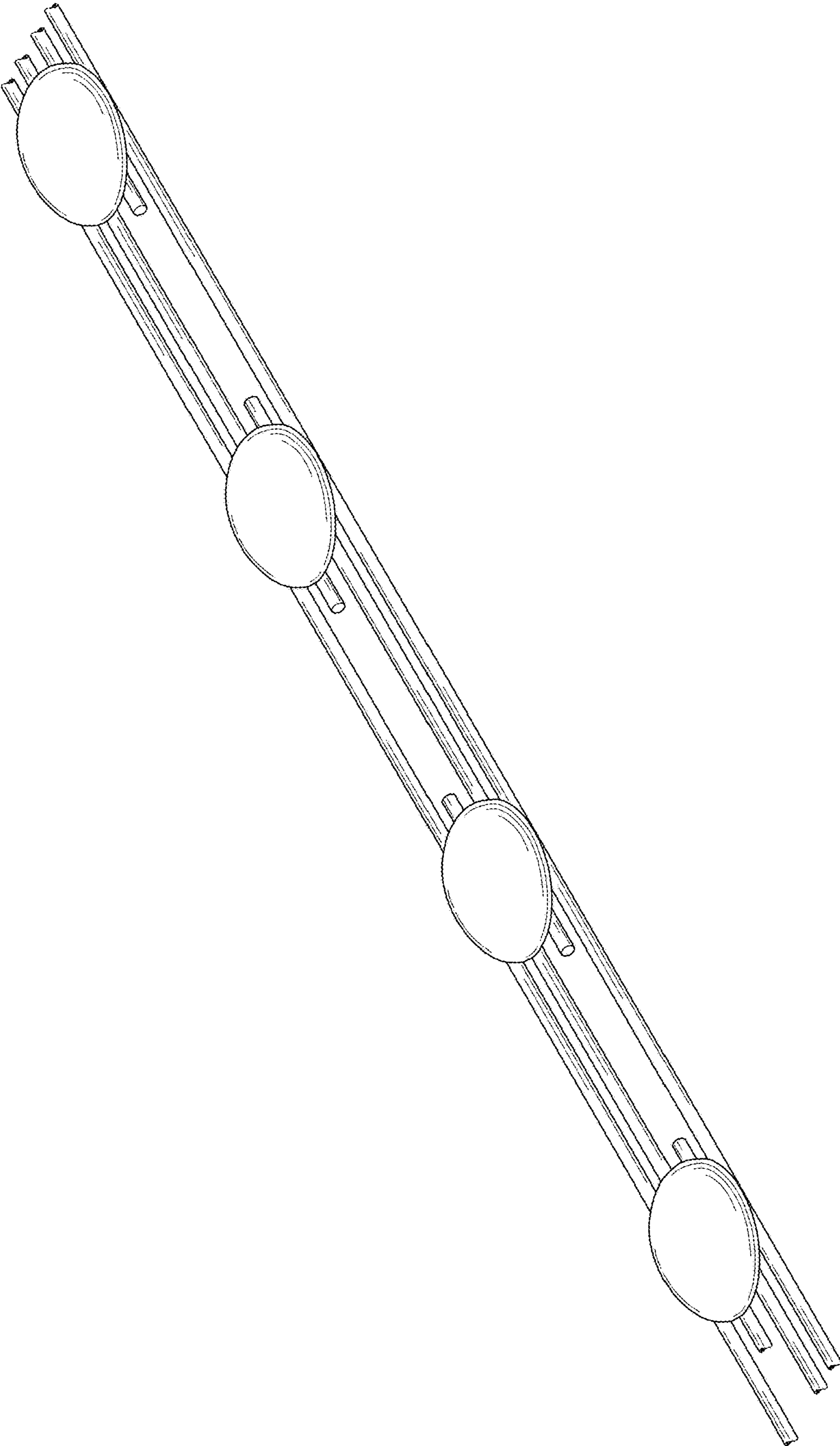


FIG. 1

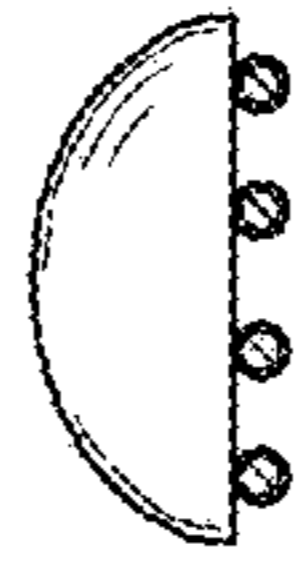


FIG. 3

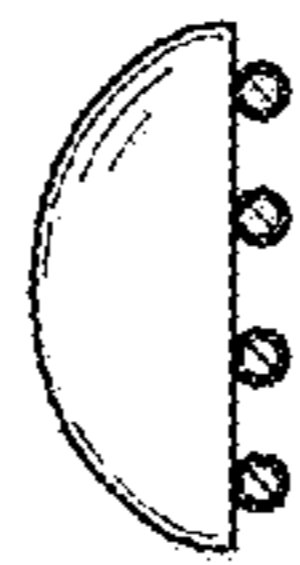


FIG. 2



FIG. 4

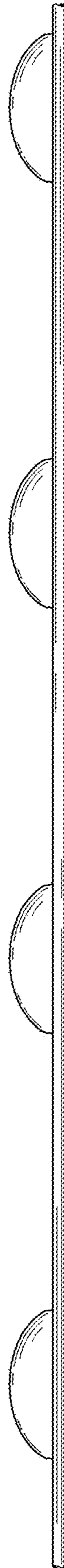


FIG. 5

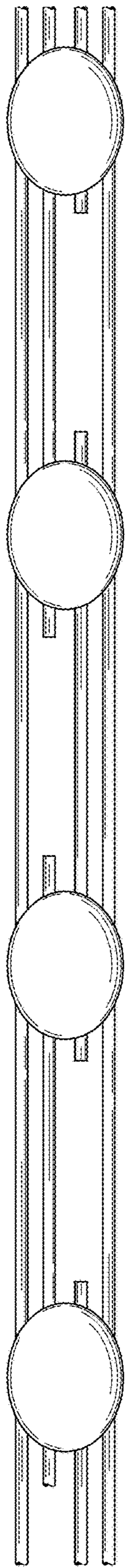


FIG. 6

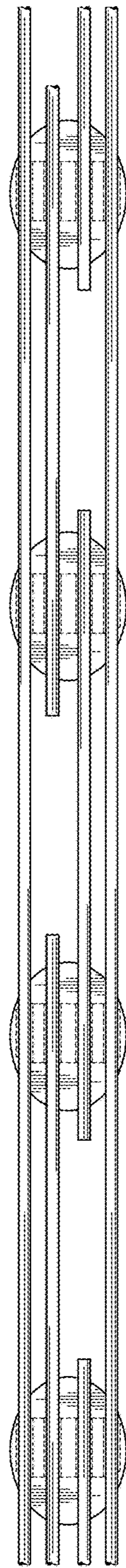


FIG. 7

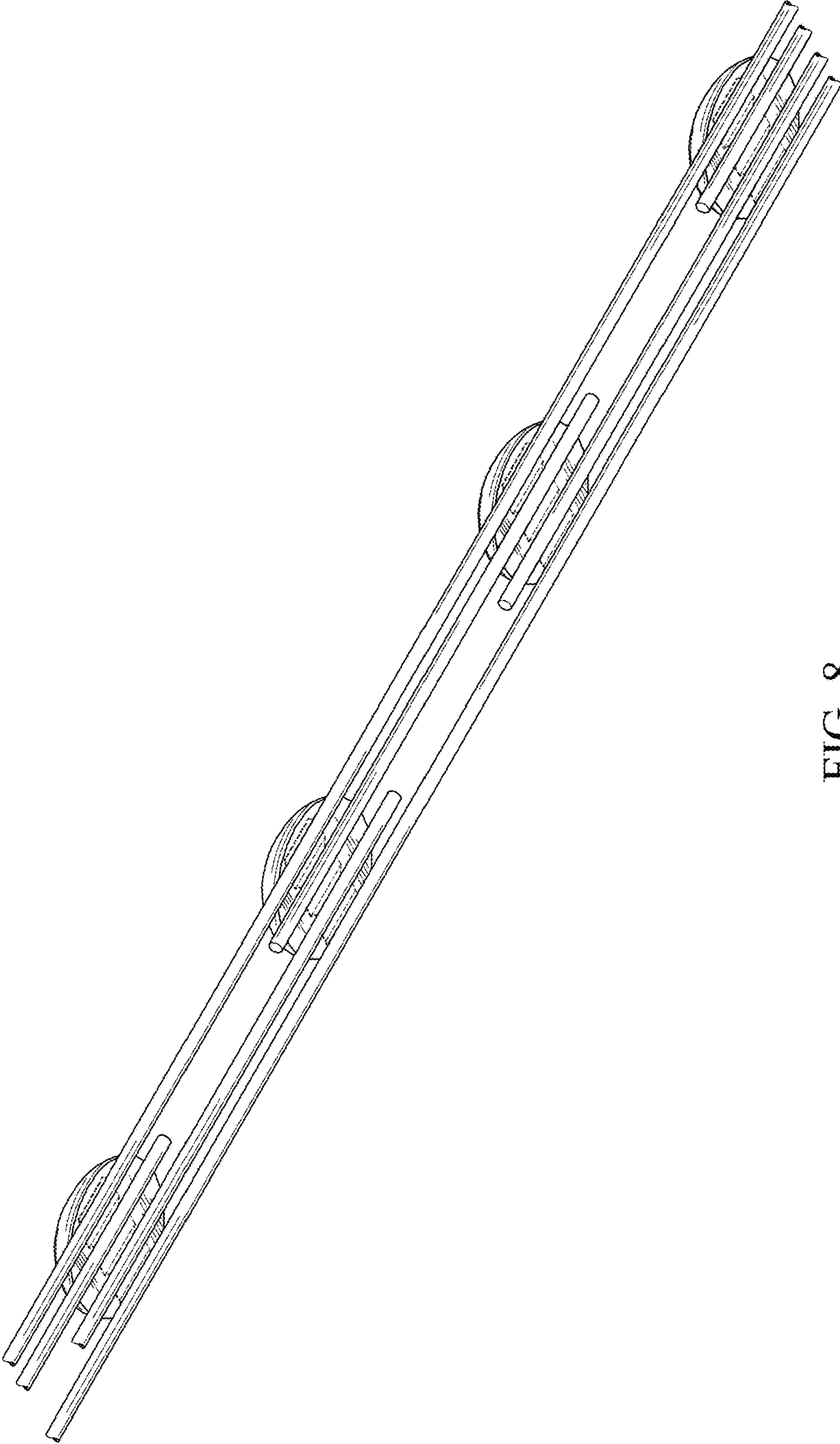


FIG. 8