



US00D863594S

(12) **United States Design Patent** (10) **Patent No.:** **US D863,594 S**
Brazier et al. (45) **Date of Patent:** **** Oct. 15, 2019**

(54) **ADD-ON ENCLOSURE FOR OUTDOOR BOILER**

6,029,648 A 2/2000 Willis
6,115,971 A * 9/2000 Loebertmann E04H 1/1216
4/449

(71) Applicant: **Central Boiler, Inc.**, Greenbush, MN (US)

D437,942 S * 2/2001 Hampel D25/22
(Continued)

(72) Inventors: **Dennis Brazier**, Greenbush, MN (US);
Mark Reese, Roseau, MN (US)

FOREIGN PATENT DOCUMENTS

CH 566529 A5 9/1975
DE 3545862 A1 6/1987

(73) Assignee: **CENTRAL BOILER, INC.**,
Greenbush, MN (US)

(Continued)

(**) Term: **15 Years**

OTHER PUBLICATIONS

(21) Appl. No.: **29/580,471**

Kingdom Biofuel, Energy Sheds, Website printout retrieved on May 4, 2016 from: <http://kingdombiofuel.com/outdoor-wood-furnace-pellet-boiler-pellet-energy-sheds/>, three pages.

(22) Filed: **Oct. 10, 2016**

(Continued)

(51) **LOC (12) Cl.** **25-03**

Primary Examiner — Brett Miller

(52) **U.S. Cl.**
USPC **D25/24; D23/319**

(74) *Attorney, Agent, or Firm* — Lowe Graham Jones PLLC

(58) **Field of Classification Search**
USPC D25/1, 3-35, 55-59, 61; 52/79.1-79.9;
D23/329, 319-320

CPC E04H 1/00-1277; E04H 1/14; E04H 3/00-04; E04H 2001/1283-1294; E04B 1/34823; E04B 1/3483; E04B 1/3444; E04B 1/3431; E04B 1/343; E04B 1/34869; E04B 1/34321

See application file for complete search history.

(57) **CLAIM**

We claim the ornamental design for the add-on enclosure for outdoor boiler, as shown and described.

DESCRIPTION

FIG. 1 is an isometric view of the add-on enclosure for outdoor boiler, showing our new design; FIG. 2 is a front-elevational view thereof; FIG. 3 is a right side-elevational view thereof; FIG. 4 is a top view thereof; FIG. 5 is a left side-elevational view thereof; FIG. 6 is a rear-elevational view thereof; and, FIG. 7 is a bottom view thereof.

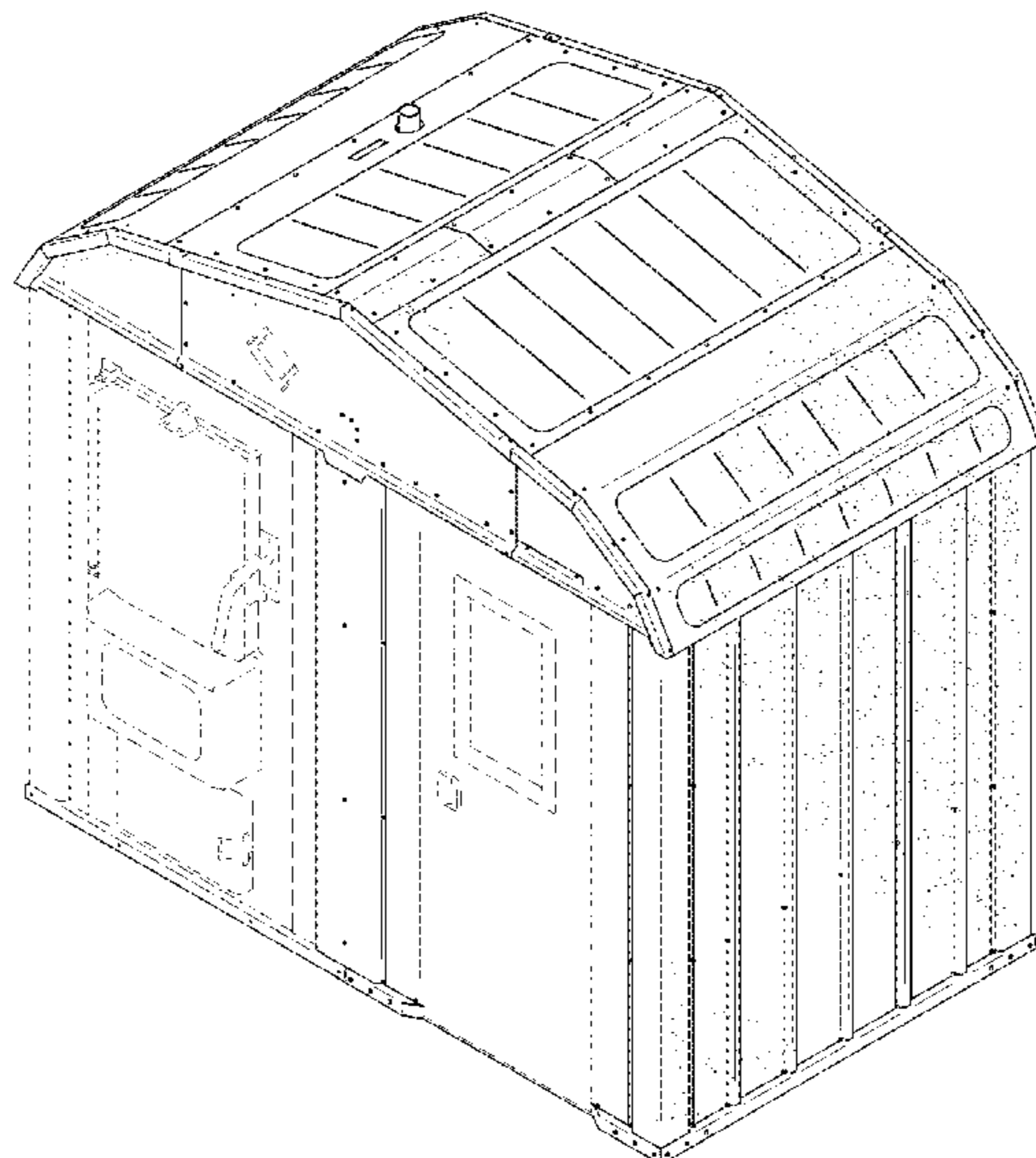
The broken lines in the figures are for illustrative purposes only and form no part of the claimed design. Instead, the claimed design extends to the broken lines yet does not include the broken lines.

(56) **References Cited**

U.S. PATENT DOCUMENTS

4,333,574 A 6/1982 Christy, Sr.
4,497,262 A 2/1985 Nordine
4,549,526 A 10/1985 Lunde
4,785,792 A 11/1988 Saint Laurent
D302,309 S * 7/1989 Fudge D25/22
4,893,609 A 1/1990 Giordani et al.
D384,751 S * 10/1997 Tagg D25/1
5,778,604 A 7/1998 Snow

1 Claim, 7 Drawing Sheets



(56)

References Cited

U.S. PATENT DOCUMENTS

D440,663 S * 4/2001 Hampel D25/22
6,403,922 B1 6/2002 Hawks et al.
6,488,024 B2 12/2002 Champion
6,581,337 B1 6/2003 Skov et al.
D484,612 S * 12/2003 Greene D25/15
D529,186 S * 9/2006 Fullelove D25/33
D541,428 S * 4/2007 Whalen D25/18
8,511,001 B2 * 8/2013 Uffner E04B 1/34321
52/64
8,888,199 B2 11/2014 Vogl et al.
D797,306 S * 9/2017 Ohanesian D25/33
2004/0187400 A1 * 9/2004 Anderson E04B 1/34321
52/79.1
2005/0284744 A1 12/2005 Penner et al.

FOREIGN PATENT DOCUMENTS

EP 2 336 651 A2 6/2011
FR 2 269 037 A1 11/1975
GB 2 408 519 A 6/2005

OTHER PUBLICATIONS

Obadiah's Woodstoves, Where to install your wood boiler?, Website printout retrieved on May 4, 2016 from: <http://woodstoves.net/blog/post/where-to-install-your-wood-boiler>, three pages.

* cited by examiner

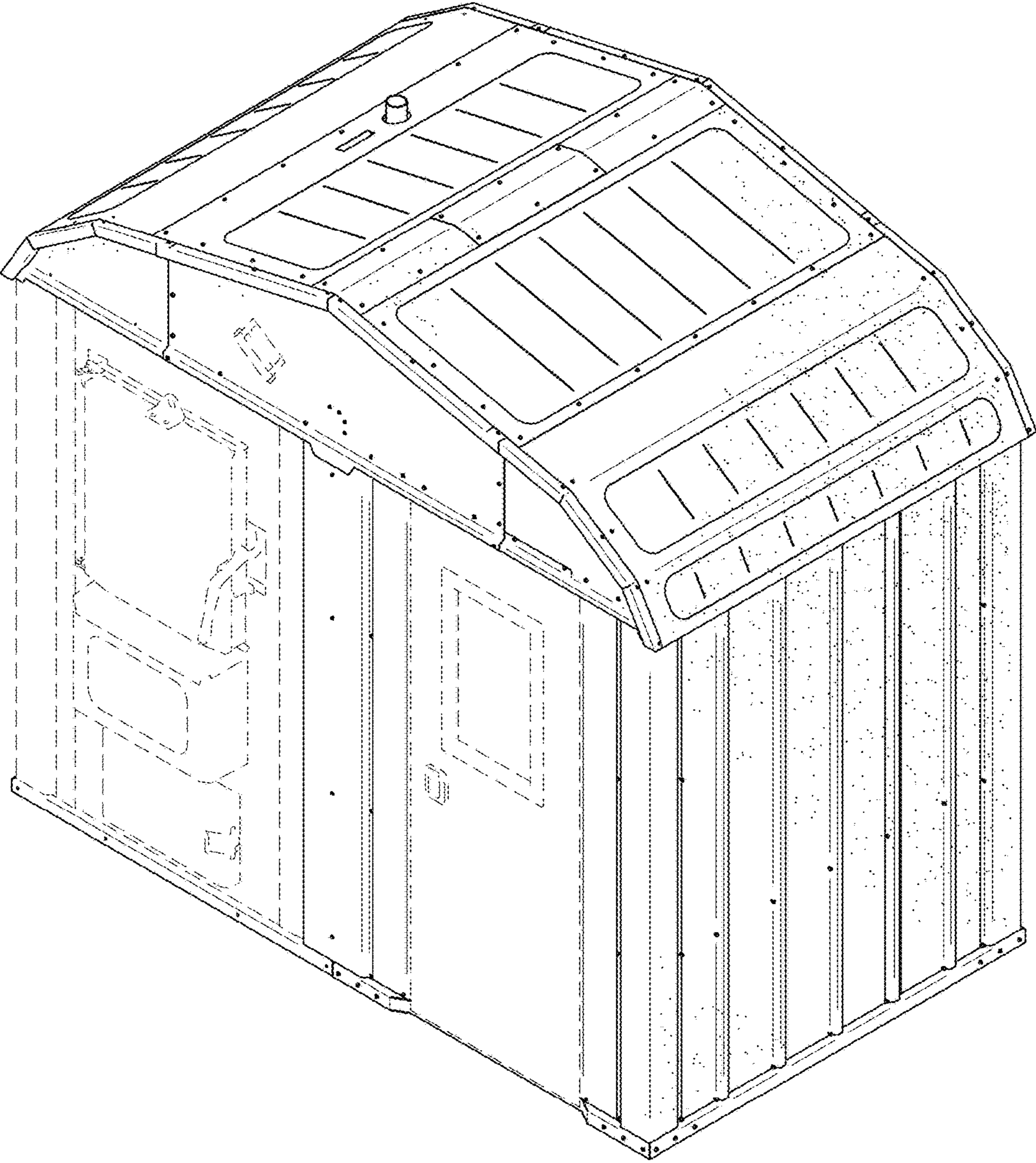


FIG. 1

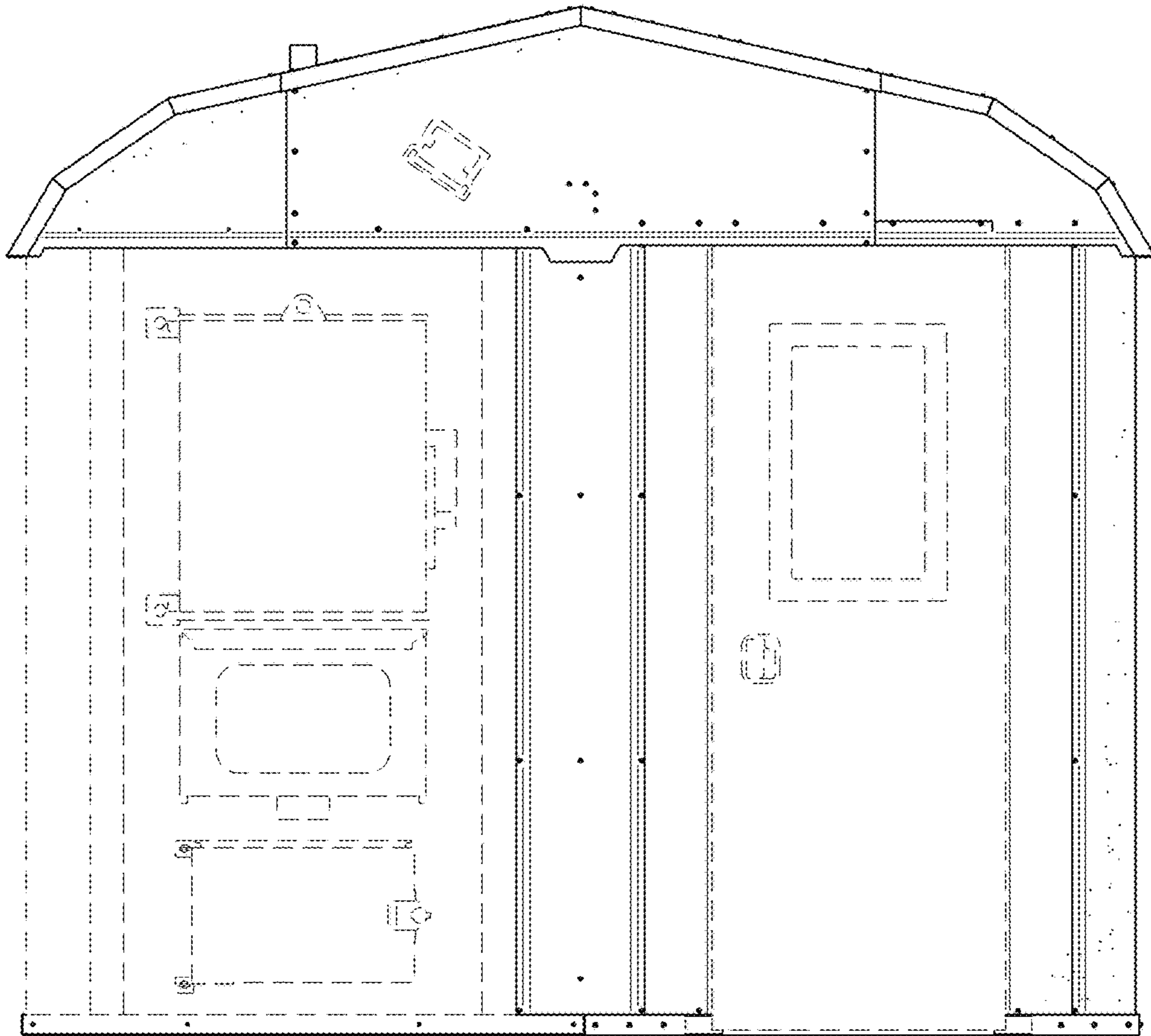


FIG. 2

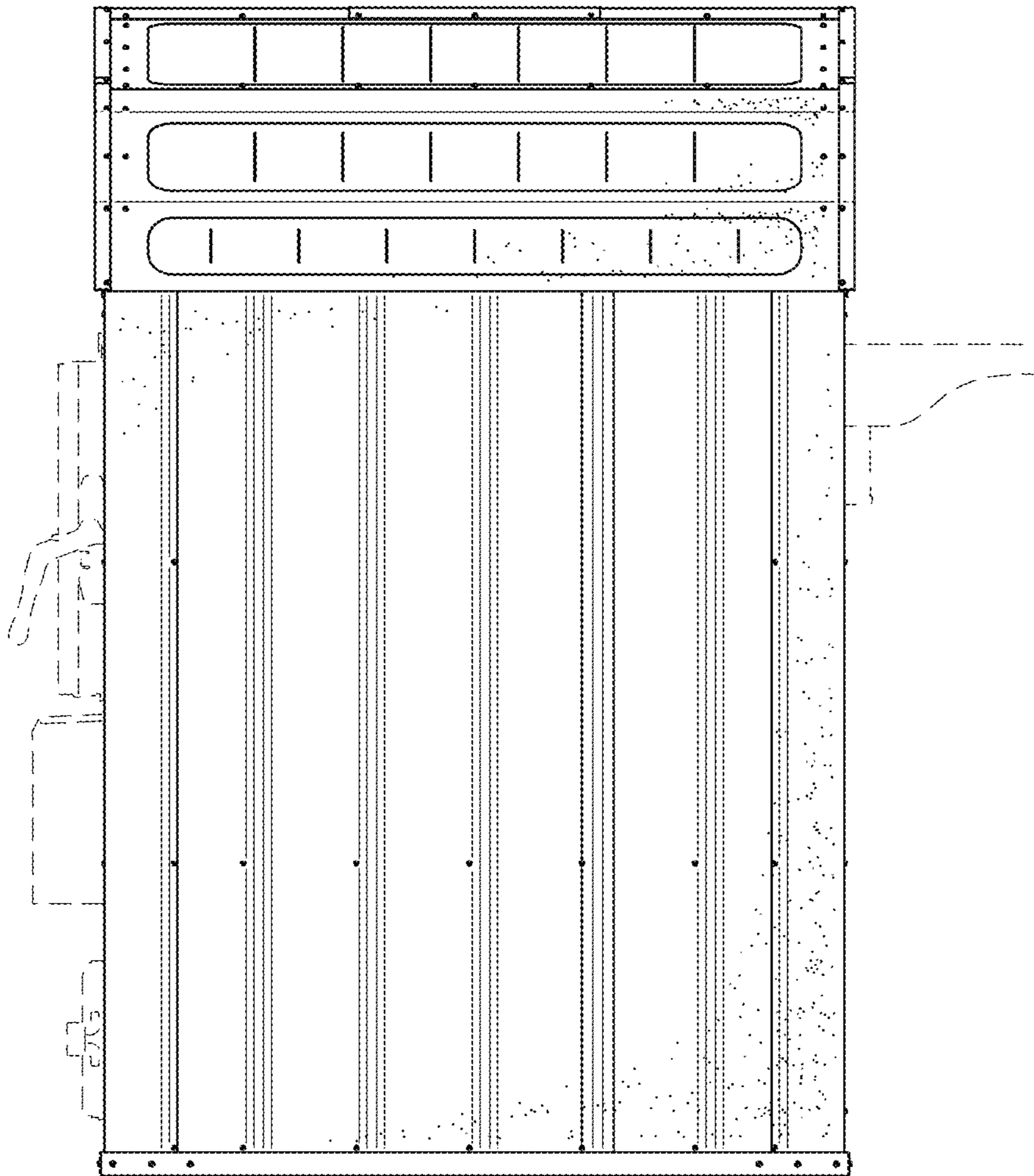


FIG. 3

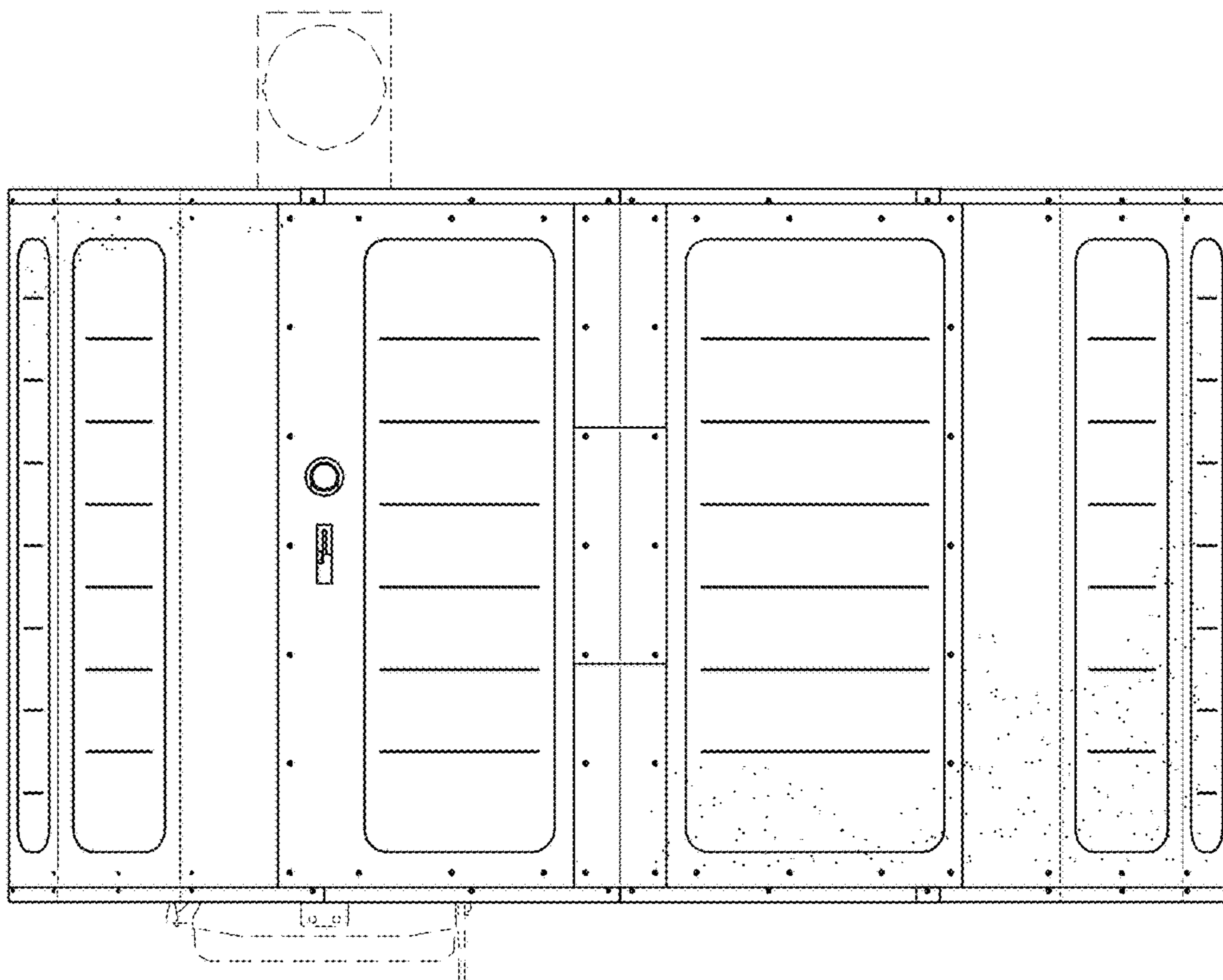


FIG. 4

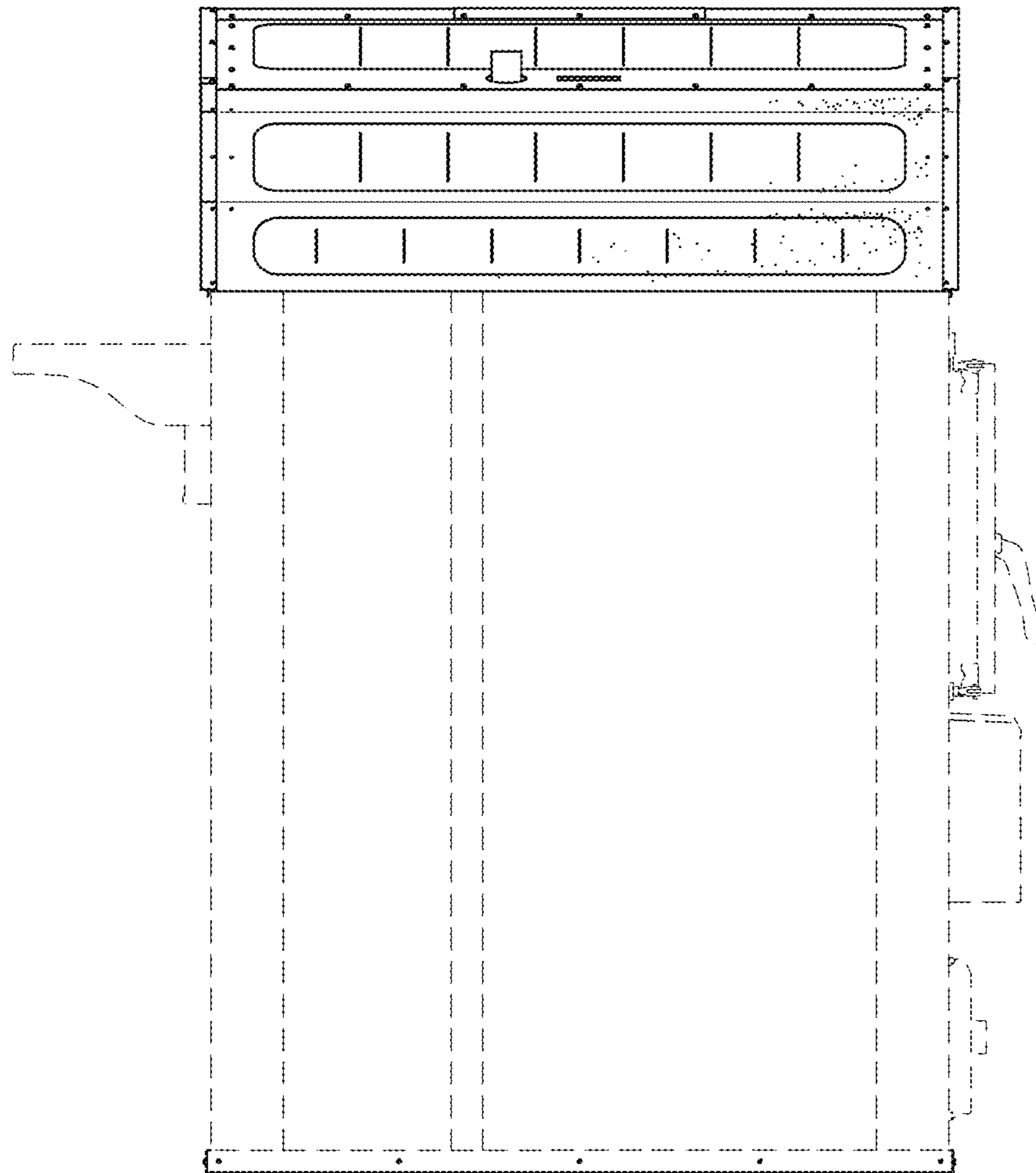


FIG. 5

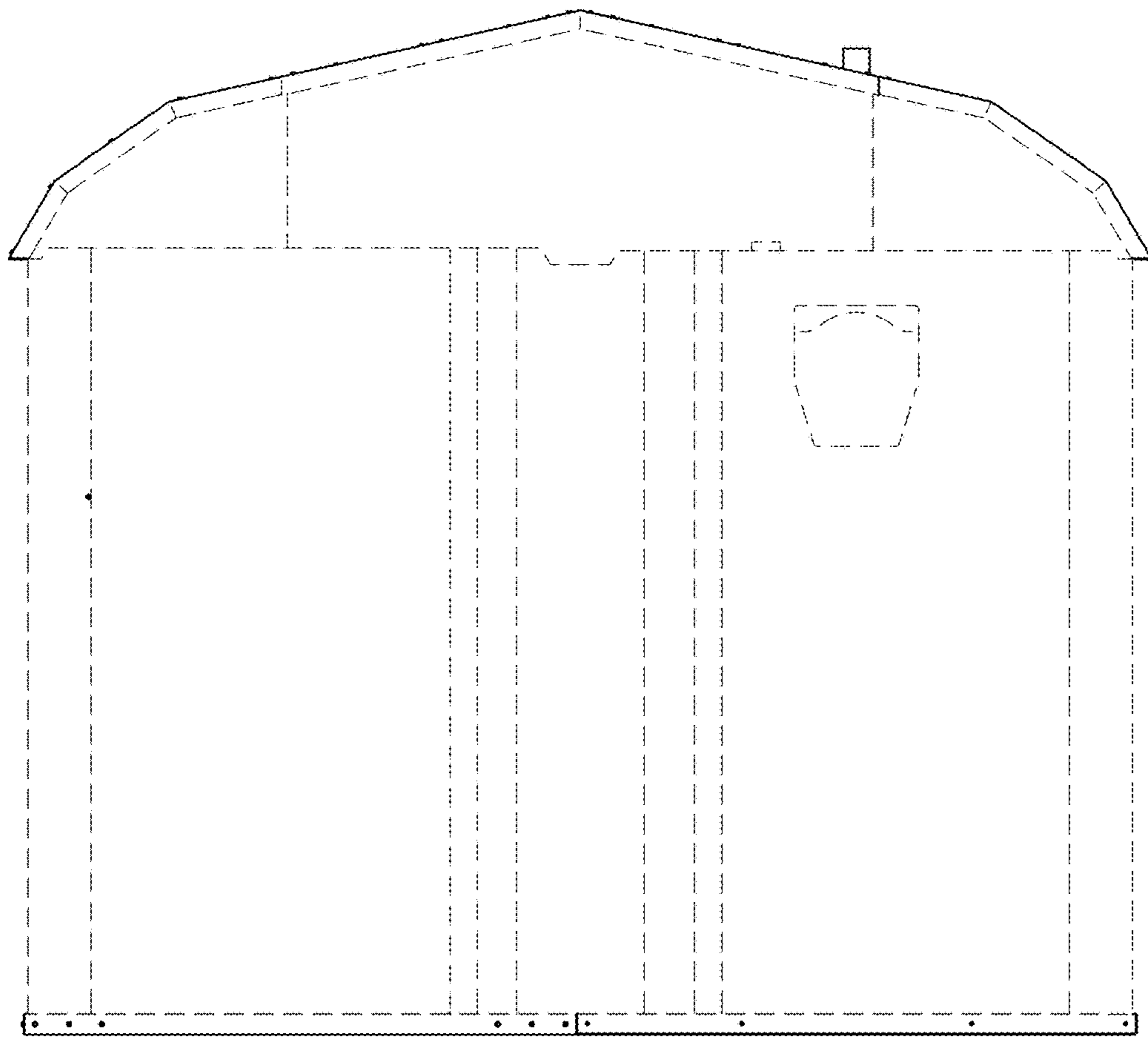


FIG. 6

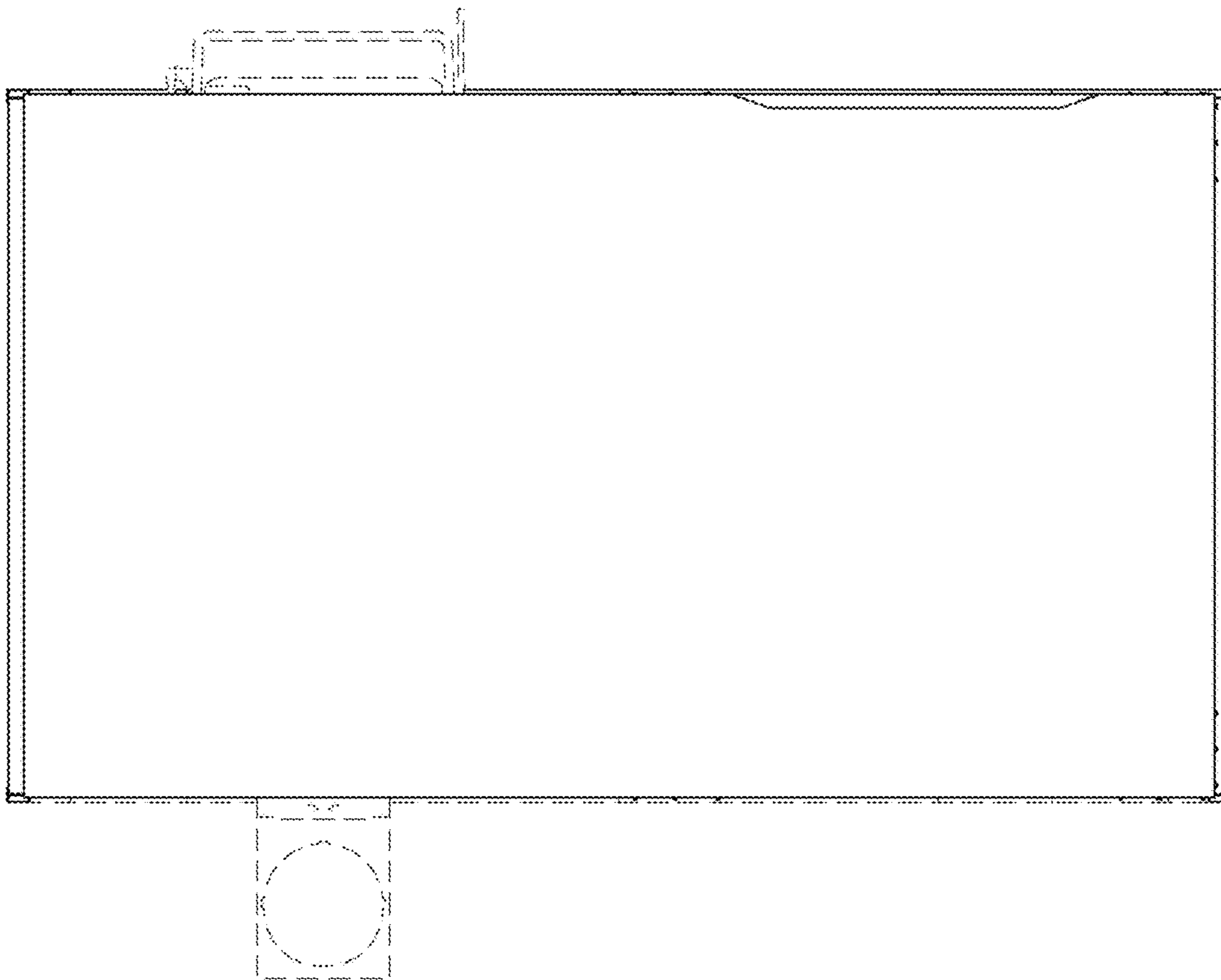


FIG. 7