



US00D863583S

(12) **United States Design Patent**
Carpinello

(10) **Patent No.:** **US D863,583 S**

(45) **Date of Patent:** **** Oct. 15, 2019**

(54) **MESSAGE ROLLER**

D448,646 S 10/2001 Sargentelli
6,398,694 B1 6/2002 Bountourakis
D475,464 S 6/2003 Chen

(Continued)

(71) Applicant: **Implus Footcare LLC**, Durham, NC
(US)

(72) Inventor: **Angelo Carpinello**, Morrisville, NC
(US)

FOREIGN PATENT DOCUMENTS

CA 2 964 387 A1 5/2015
CN 105764466 A 7/2016

(Continued)

(73) Assignee: **IMPLUS FOOTCARE, LLC**, Durham,
NC (US)

(**) Term: **15 Years**

OTHER PUBLICATIONS

(21) Appl. No.: **29/650,753**

Amazon, "TriggerPoint Charge Ridged Foam Roller", Nov. 26, 2018. https://www.amazon.com/TriggerPoint-CHARGE-Ridged-Foam-Roller/dp/B07GG37GWJ/ref=cm_cr_ar_p_d_product_top?ie=UTF8. Shown on p. 1. (Year: 2018).*

(22) Filed: **Jun. 8, 2018**

(51) **LOC (12) Cl.** **28-03**

(52) **U.S. Cl.**
USPC **D24/213; D24/211**

(58) **Field of Classification Search**
USPC 601/99, 114, 118, 120, 121, 124, 125,
601/130, 131, 134, 135, 136, 137;
D24/200, 211, 212, 213, 214, 215;
D12/114, 178; D8/303; D21/803
CPC A61H 2015/0014; A61H 15/00; A63B
2023/006; A63B 21/4033

See application file for complete search history.

Primary Examiner — Cynthia Ramirez

Assistant Examiner — Michael A Maharajh

(74) *Attorney, Agent, or Firm* — Buchanan Ingersoll & Rooney PC

(57) **CLAIM**

The ornamental design for a massage roller, as shown and described.

DESCRIPTION

(56) **References Cited**

U.S. PATENT DOCUMENTS

D101,862 S	11/1936	Fehn et al.
2,446,099 A	7/1948	Niblack
3,419,268 A	12/1968	Bellet
D228,967 S	10/1973	Holladay
D253,373 S	11/1979	Celeste
D274,468 S	6/1984	Perry
D279,406 S	6/1985	Shiu
D281,816 S	12/1985	Conn, Sr. et al.
5,143,056 A	9/1992	Yih-Jong
D361,132 S	8/1995	Lee
D396,111 S	7/1998	Chien
D417,319 S	11/1999	Weiss, Jr.
6,129,687 A	10/2000	Powell et al.

FIG. 1 is a perspective view of a massage roller showing my new design.

FIG. 2 is a front elevational view thereof.

FIG. 3 is rear elevational view thereof.

FIG. 4 is a top plan view thereof.

FIG. 5 is a bottom plan view thereof.

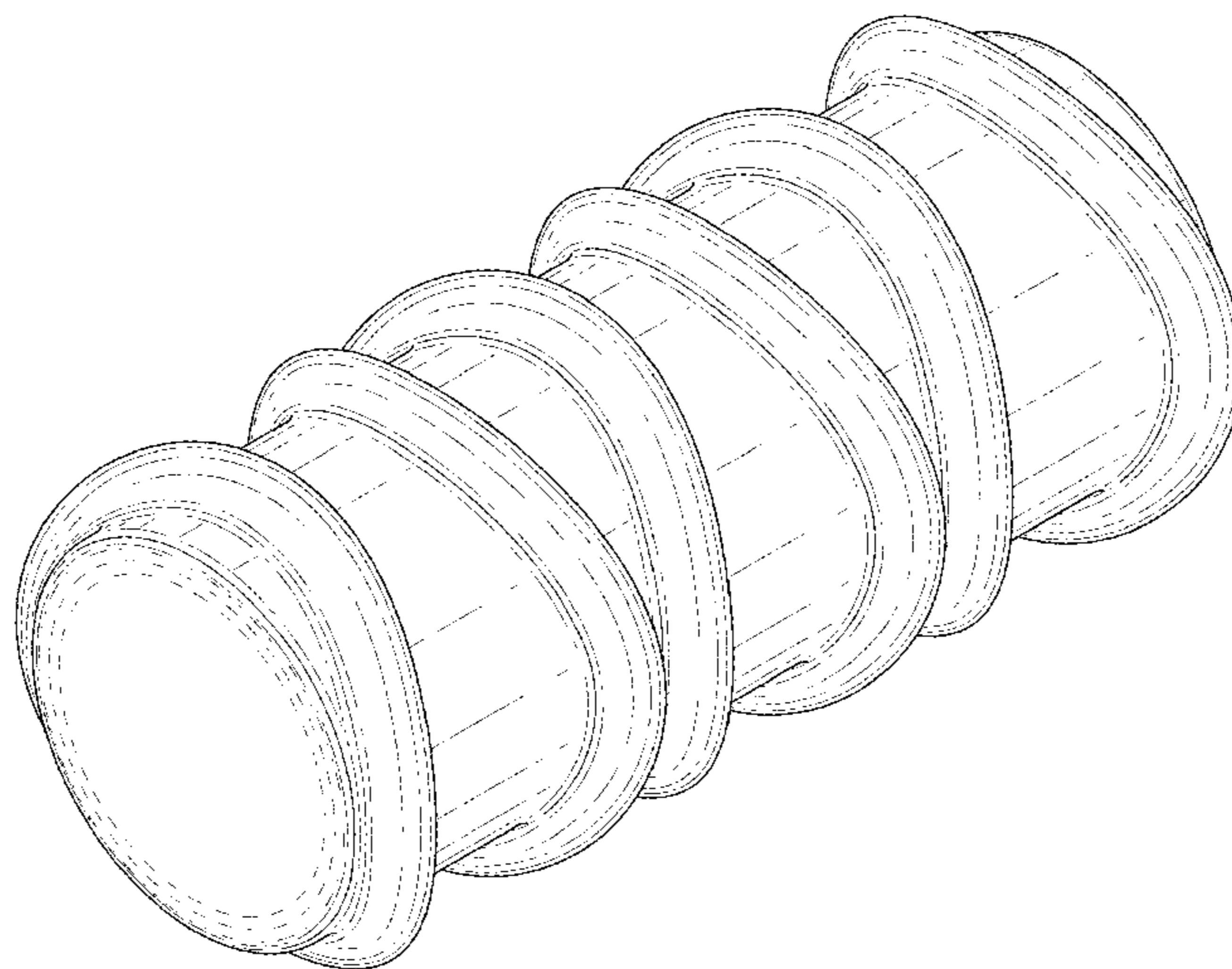
FIG. 6 is a right end elevational view thereof; and,

FIG. 7 is a left end elevational view thereof.

The use of broken lines in the drawings illustrate environmental structure that forms no part of the claimed design.

The dot-dot dash lines shown in the drawings illustrate boundary lines, which form no part of the claimed design.

1 Claim, 6 Drawing Sheets



(56)

References Cited

U.S. PATENT DOCUMENTS

D477,414 S 7/2003 Chen
 D527,830 S 9/2006 Chien
 D637,244 S 5/2011 Davis et al.
 D643,540 S * 8/2011 Jian D24/211
 D654,970 S 2/2012 Daves
 D660,450 S 5/2012 Johnson
 D676,140 S 2/2013 Feightner
 D689,155 S 9/2013 Jahns
 D692,569 S * 10/2013 Samurin D24/214
 D693,934 S 11/2013 Lin
 D698,453 S 1/2014 Tai
 D700,349 S * 2/2014 Tai D24/215
 D700,709 S * 3/2014 Khodabakhshian D24/211
 D713,050 S 9/2014 Kao
 9,039,640 B2 5/2015 Crowell et al.
 D734,480 S 7/2015 Jones
 D736,398 S 8/2015 Kwon
 D737,456 S * 8/2015 McDonough A61H 15/0092
 D24/211

9,144,701 B2 * 9/2015 Chen A63B 21/00047
 D764,066 S 8/2016 Somjee
 9,539,197 B2 1/2017 Dye
 D788,313 S 5/2017 Lawrie
 9,668,933 B1 6/2017 Johnson
 D805,649 S * 12/2017 Mizelle D24/211
 9,855,185 B2 * 1/2018 Chen A61H 15/00
 D810,885 S 2/2018 Bahler
 D829,920 S * 10/2018 Carpinelli D24/211
 2008/0090707 A1 4/2008 Dye
 2008/0255484 A1 10/2008 Gueret
 2012/0065557 A1 3/2012 Phillips
 2013/0261517 A1 10/2013 Rodgers
 2016/0279009 A1 9/2016 Somjee

FOREIGN PATENT DOCUMENTS

JP H02-136629 U 11/1990
 JP 2012-135555 A 7/2012
 WO 2015/066772 A1 5/2015

* cited by examiner

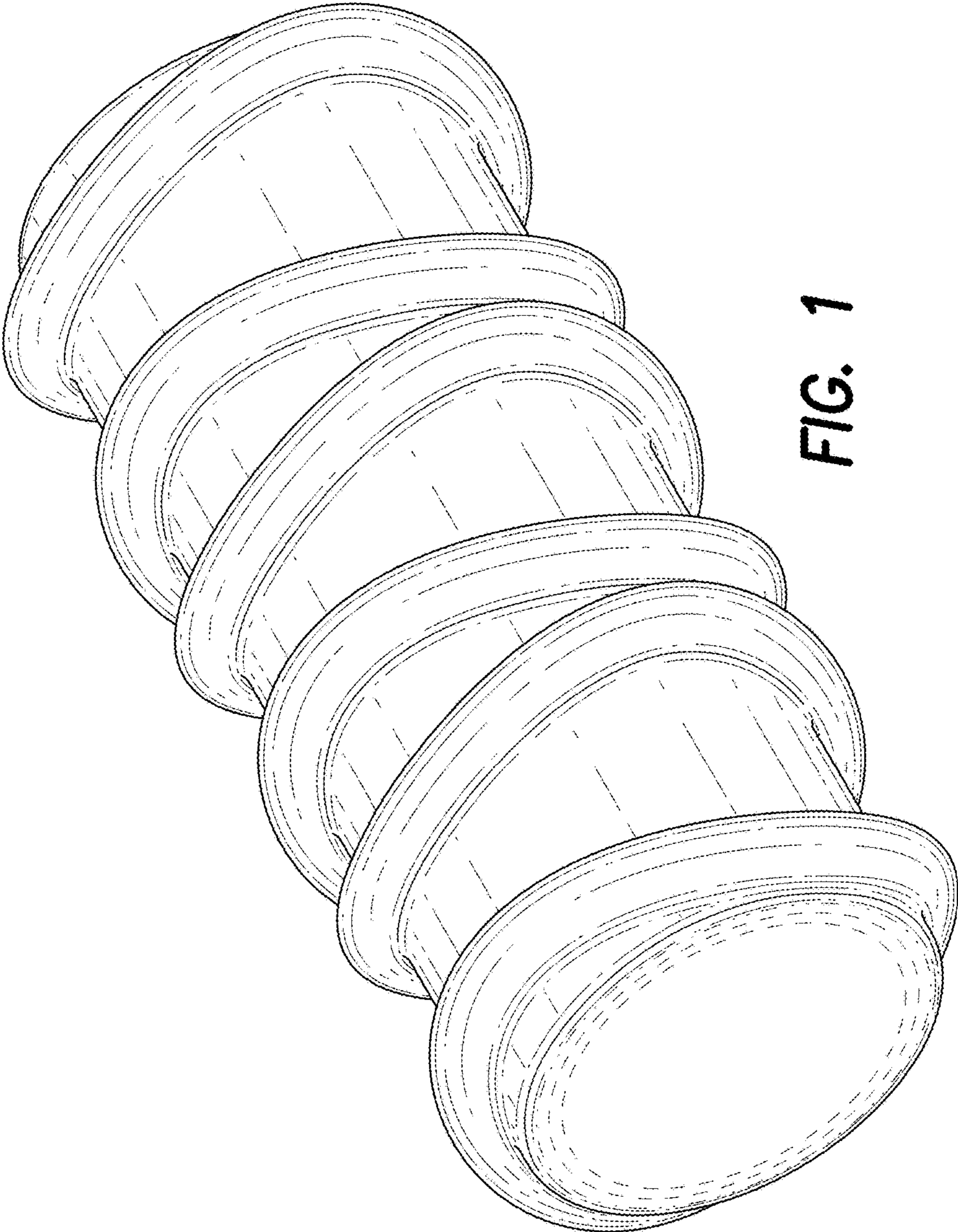


FIG. 1

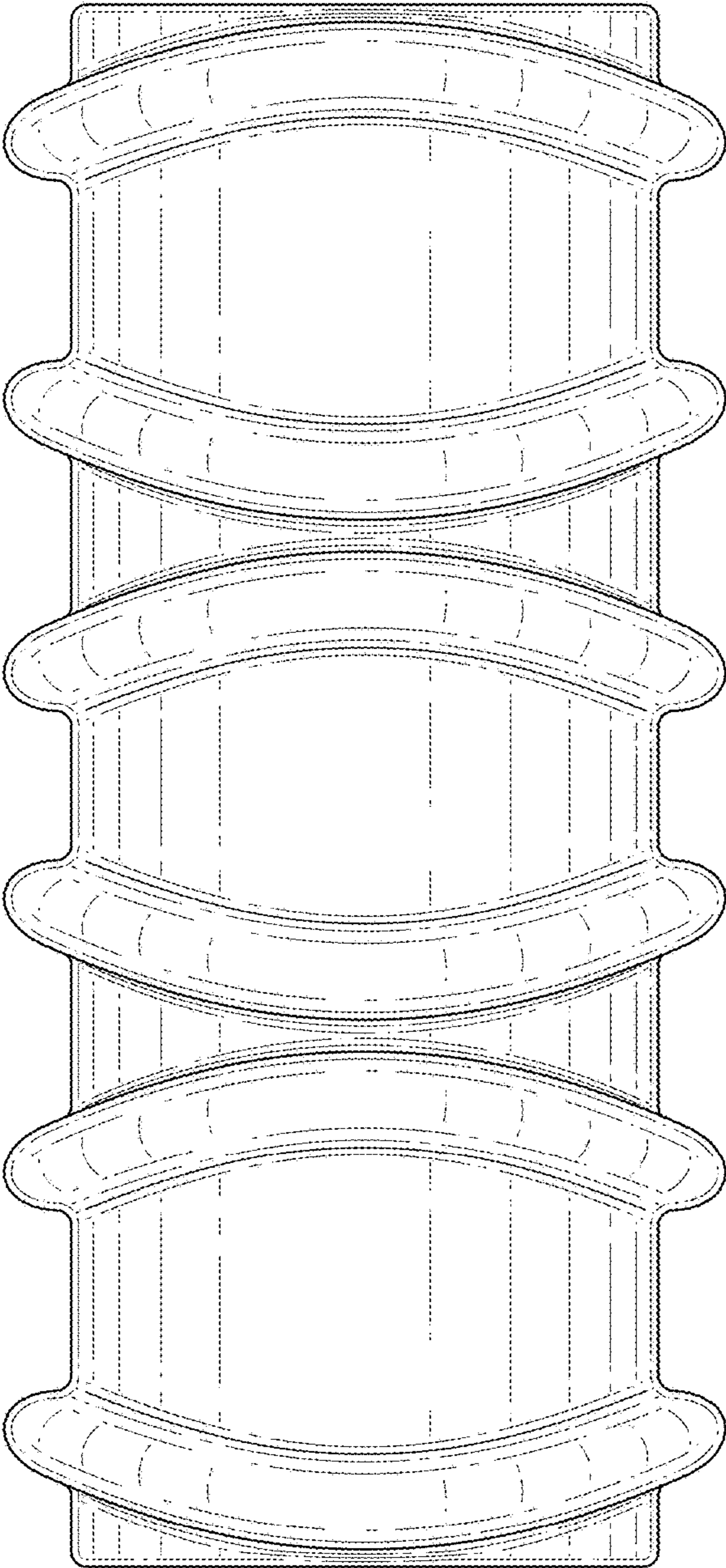


FIG. 2

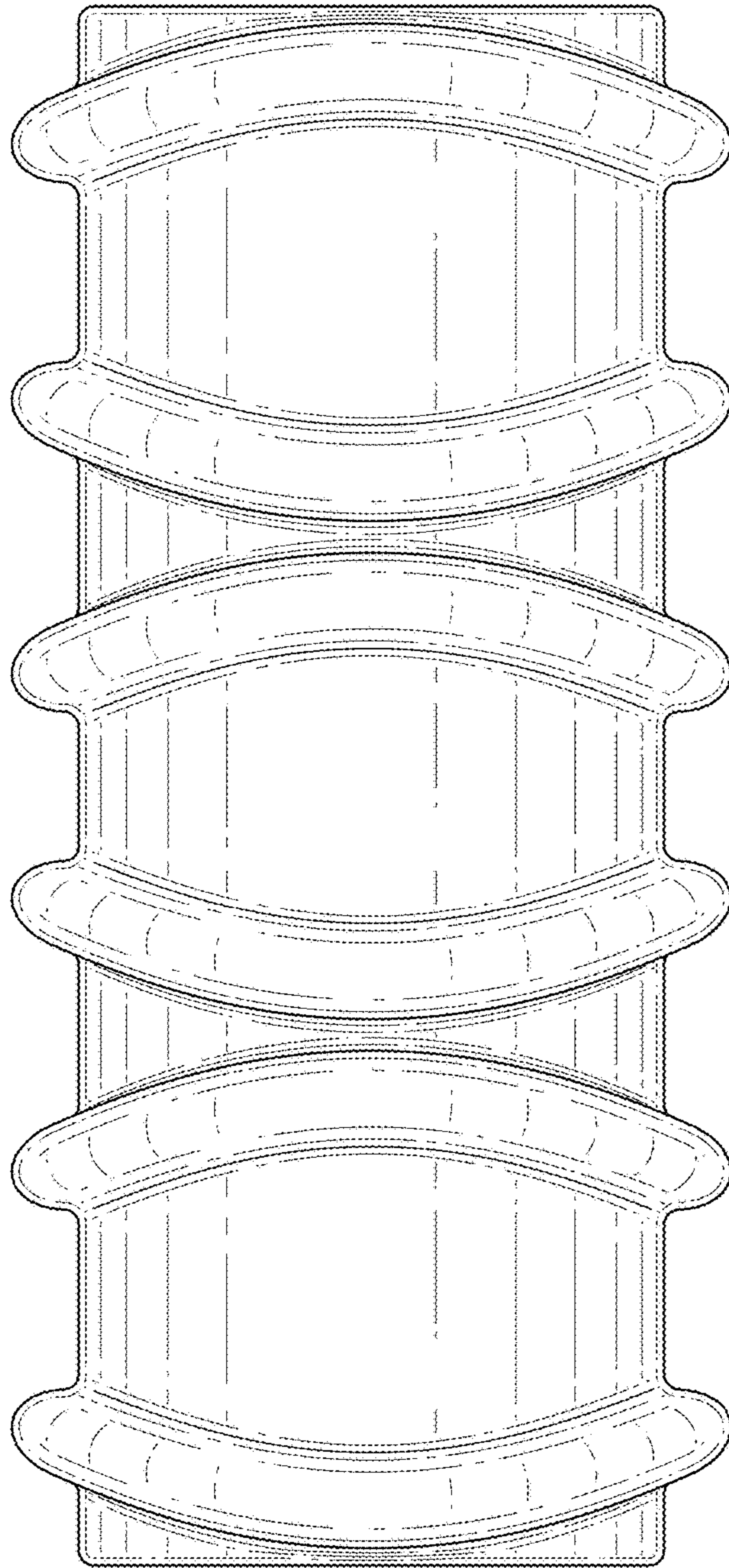


FIG. 3

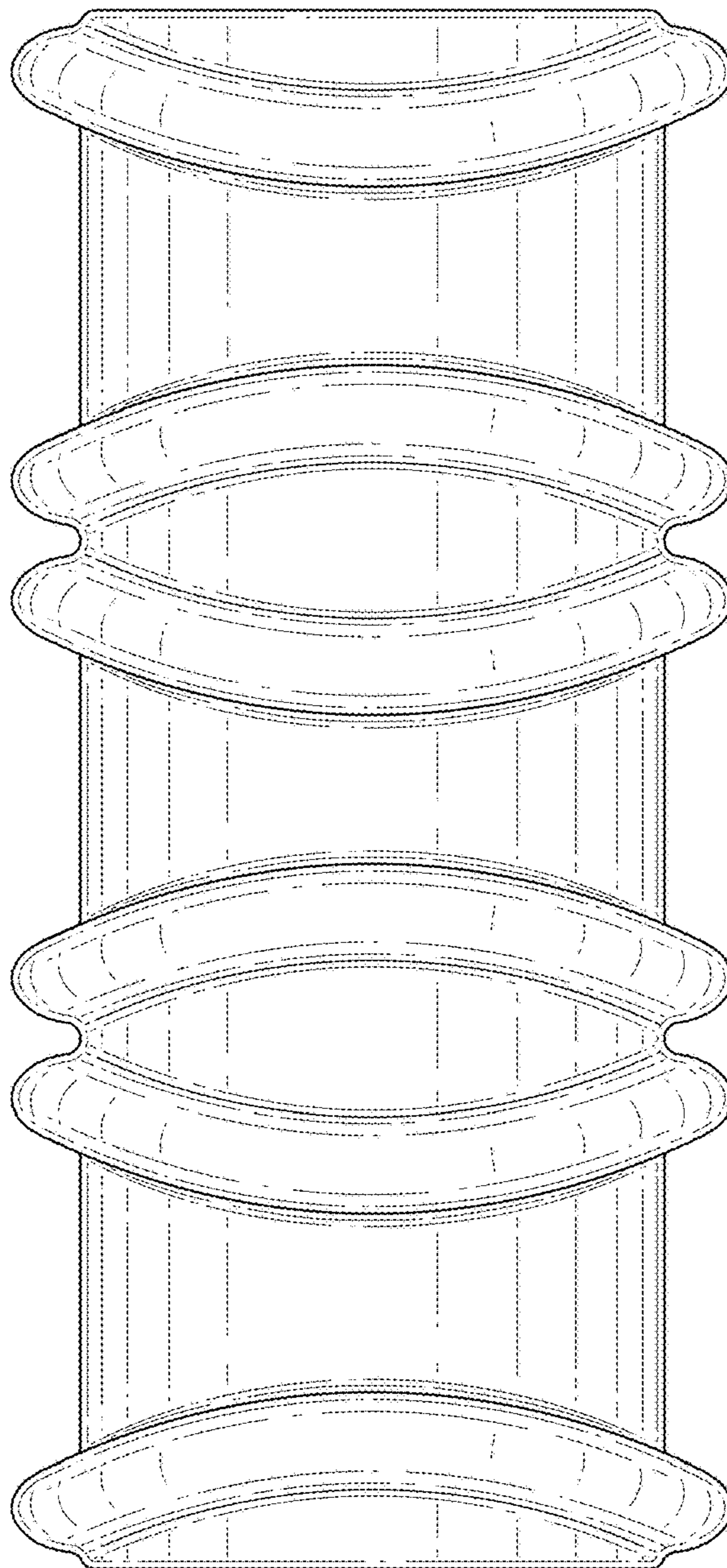


FIG. 4

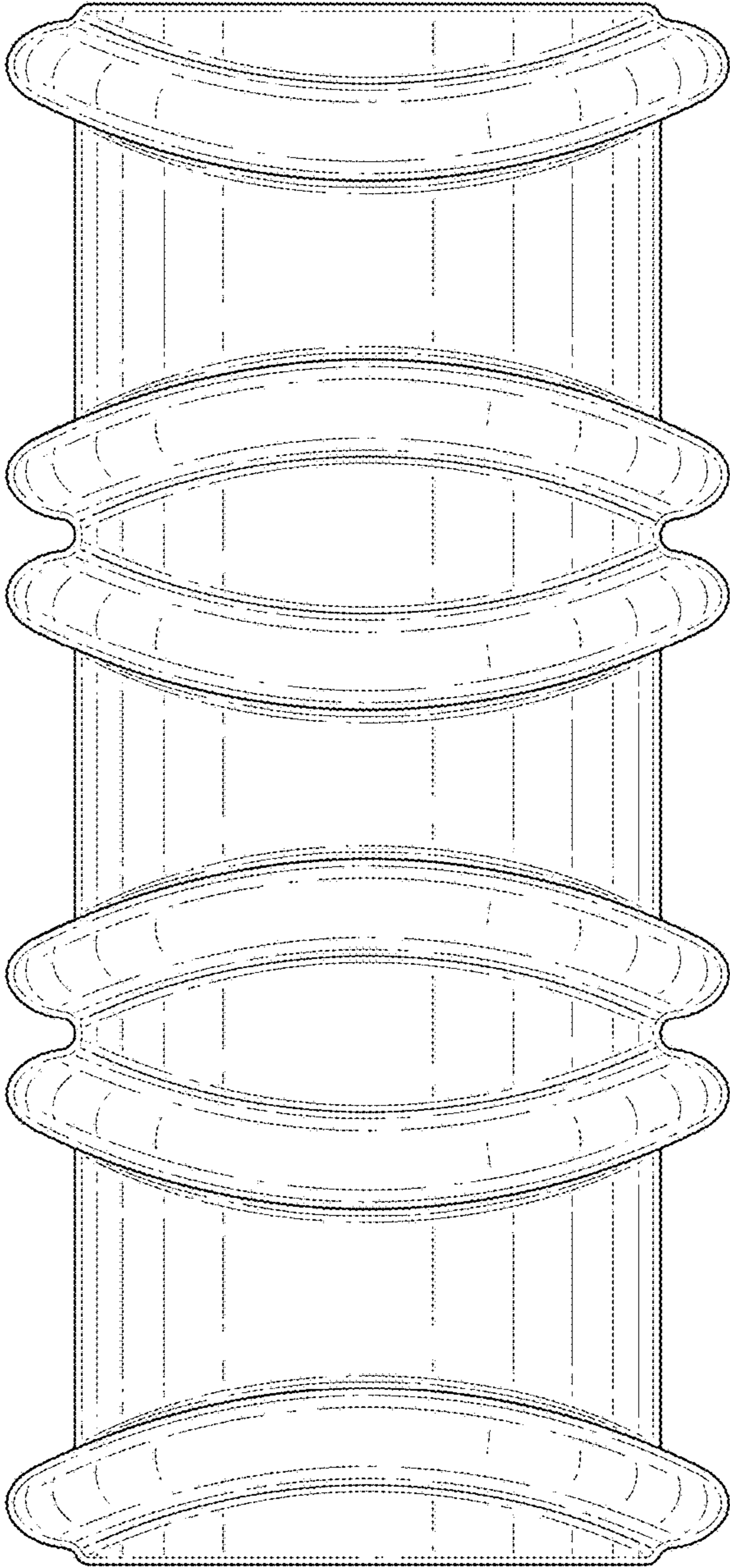


FIG. 5

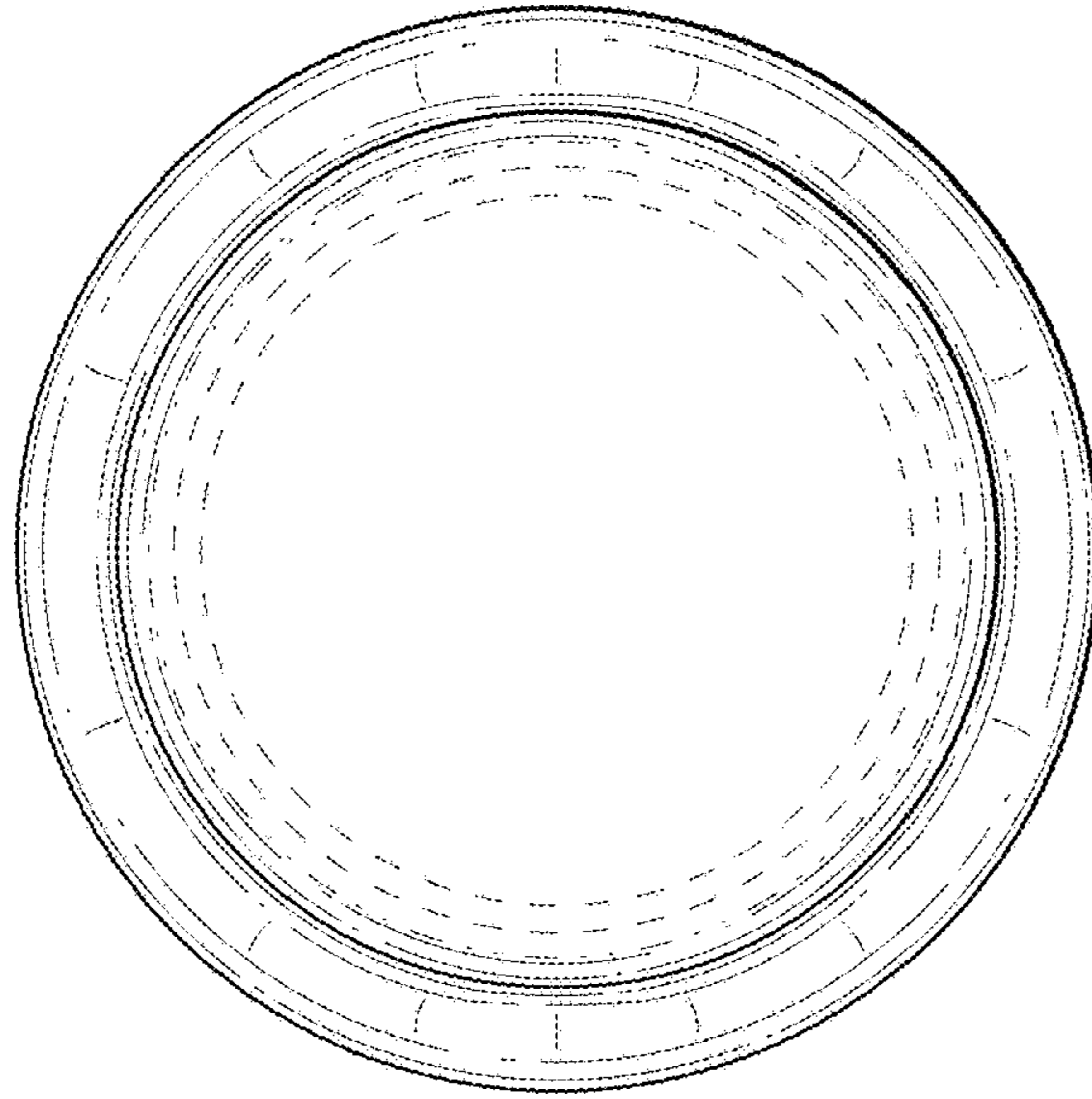


FIG. 7

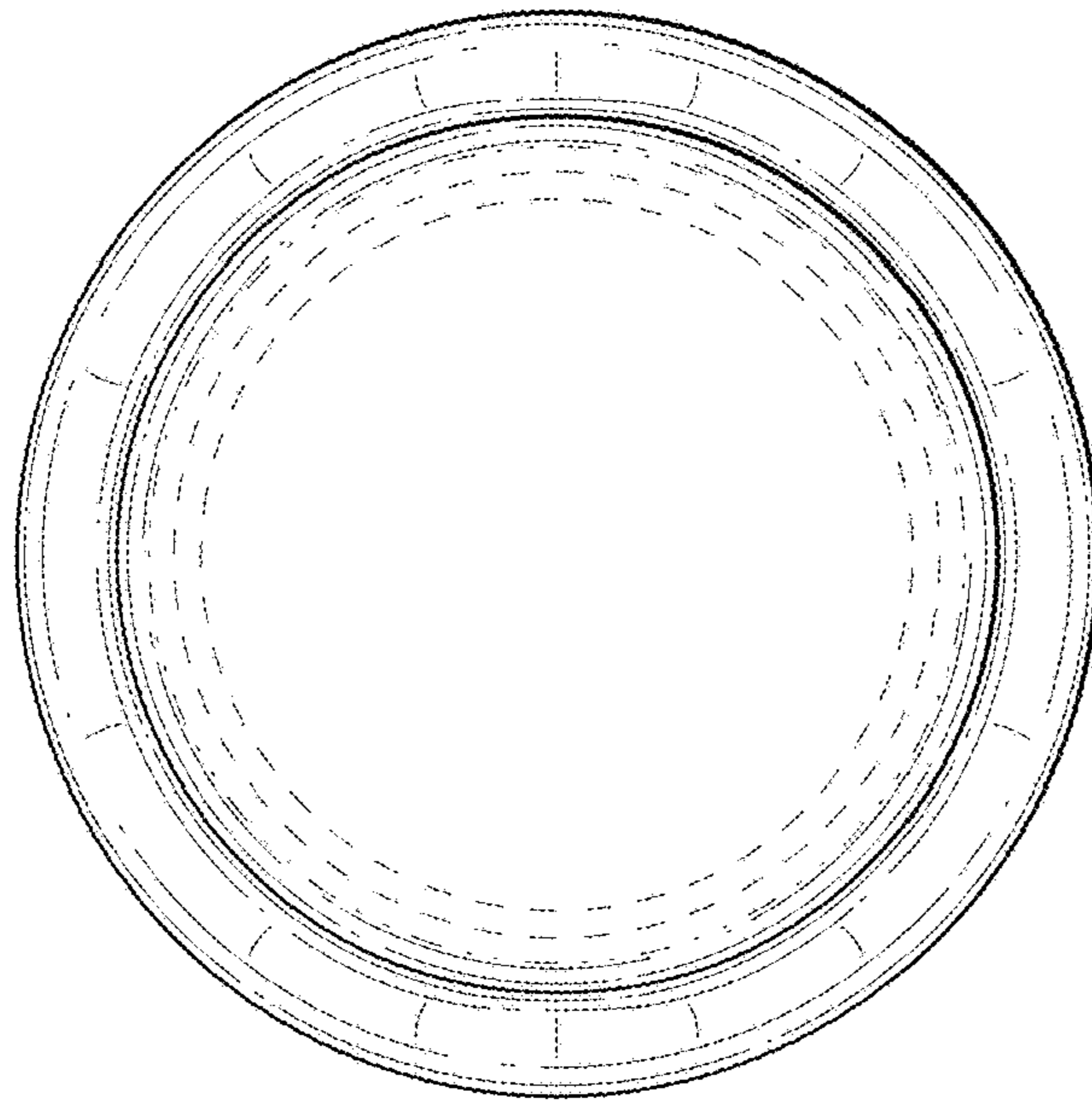


FIG. 6

UNITED STATES PATENT AND TRADEMARK OFFICE
CERTIFICATE OF CORRECTION

PATENT NO. : D863,583 S
APPLICATION NO. : 29/650753
DATED : October 15, 2019
INVENTOR(S) : Angelo Carpinelli

Page 1 of 1

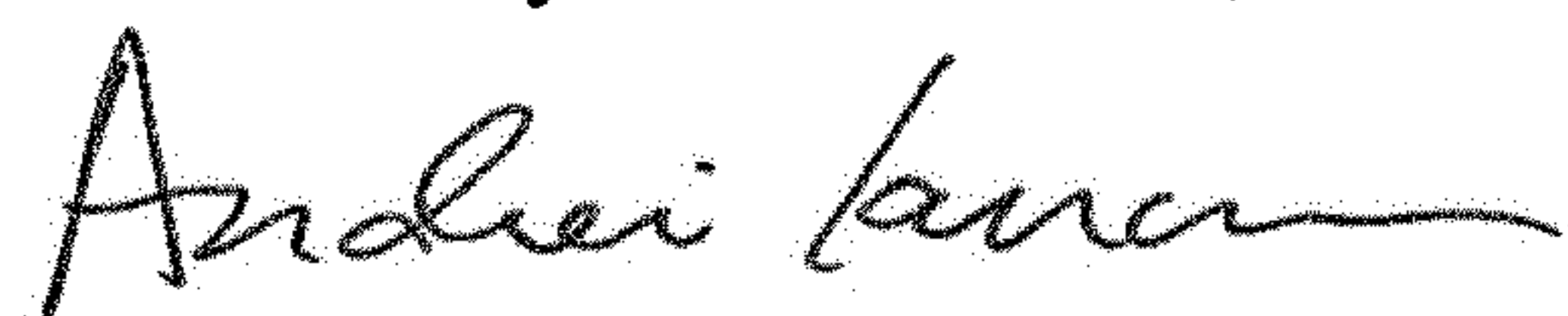
It is certified that error appears in the above-identified patent and that said Letters Patent is hereby corrected as shown below:

On the Title Page

Item (12) should read: Carpinelli

Item (72) Inventors: change "Angelo Carpinello" to --Angelo Carpinelli--.

Signed and Sealed this
Tenth Day of December, 2019



Andrei Iancu
Director of the United States Patent and Trademark Office