



US00D863582S

(12) **United States Design Patent**
Wise

(10) **Patent No.:** **US D863,582 S**
(45) **Date of Patent:** **** Oct. 15, 2019**

(54) **TRIGGER POINT THERAPY DEVICE**
(71) Applicant: **NEW PELVIC PAIN TECHNOLOGIES INC.**, San Francisco, CA (US)
(72) Inventor: **David Wise**, San Francisco, CA (US)
(73) Assignee: **New Pelvic Pain Technologies Inc.**, San Francisco, CA (US)

4,031,655 A * 6/1977 Ponciano A63H 33/18 446/47
4,233,966 A * 11/1980 Takahashi A61H 39/04 601/134
D286,182 S * 10/1986 Hilman D24/211
5,256,127 A * 10/1993 Yeh A63B 22/14 482/146
5,352,188 A 10/1994 Vitko
D373,195 S * 8/1996 Hoff D24/211

(**) Term: **15 Years**
(21) Appl. No.: **29/682,677**
(22) Filed: **Mar. 7, 2019**

(Continued)
Primary Examiner — Cynthia Ramirez
Assistant Examiner — Michael A Maharajh
(74) *Attorney, Agent, or Firm* — Young Basile Hanlon & MacFarlane, P.C.

Related U.S. Application Data

(62) Division of application No. 29/597,899, filed on Mar. 21, 2017, now Pat. No. Des. 844,796.
(51) **LOC (12) Cl.** **28-03**
(52) **U.S. Cl.**
USPC **D24/211**
(58) **Field of Classification Search**
USPC 482/92, 142, 145, 146, 148; 601/5, 18, 601/23, 84, 85, 118, 134; D21/399, 412, D21/443, 671, 686; D24/107, 171, 185, D24/186, 187, 188, 189, 190, 191, 192, D24/200, 206, 211, 231; D30/160
CPC A61H 2201/1284; A61H 2203/0425; A63B 21/4043; A63B 21/4033
See application file for complete search history.

(57) **CLAIM**

The ornamental design for a trigger point therapy device, as shown and described.

DESCRIPTION

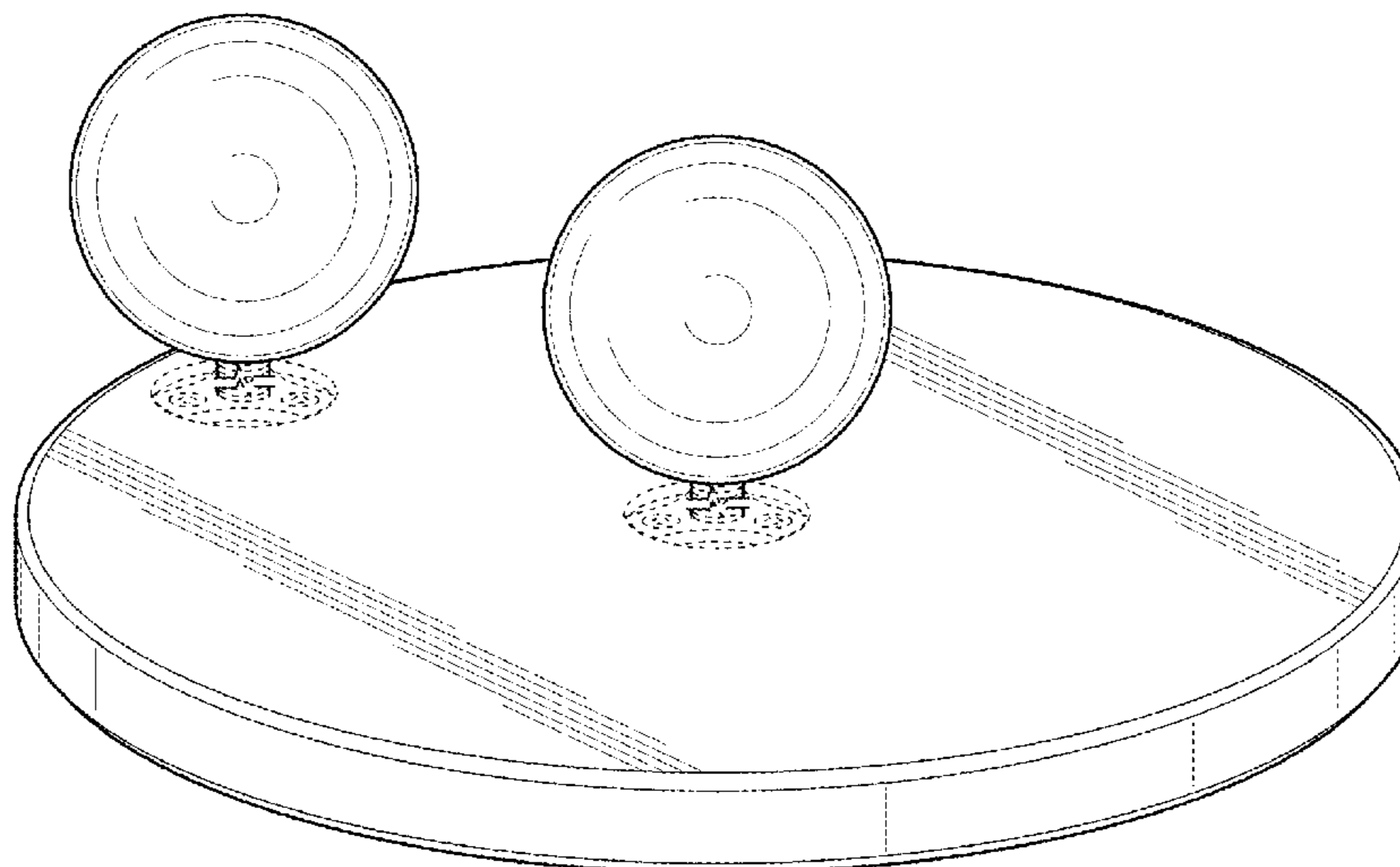
FIG. 1 is a perspective view of a trigger point therapy device showing my new design.
FIG. 2 is a top view of the trigger point therapy device of FIG. 1.
FIG. 3 is a bottom view of the trigger point therapy device of FIG. 1.
FIG. 4 is a front side view of the trigger point therapy device of FIG. 1, the rear side view being the same as the front side view; and,
FIG. 5 is a left side view of the trigger point therapy device of FIG. 1, the right side view being the same as the left side view.
The broken lines in the drawings are for the purposes of illustrating portions of the trigger point therapy device, which form no part of the claimed design. The trigger point therapy device is shown with a symbolic break in its length. The appearance of any portion of the article between the break lines forms no part of the claimed design.

(56) **References Cited**

U.S. PATENT DOCUMENTS

2,017,400 A * 10/1935 Hoyer A61H 7/00 601/118
3,636,946 A * 1/1972 Hardy A61H 15/00 482/123
3,866,910 A * 2/1975 Herring A63B 21/0608 273/DIG. 17

1 Claim, 2 Drawing Sheets



(56)

References Cited

U.S. PATENT DOCUMENTS

D405,563 S * 2/1999 Baiera D30/160
 5,913,839 A 6/1999 Wincek
 6,093,159 A * 7/2000 Racoosin A61H 15/0092
 601/118
 6,109,999 A * 8/2000 Kuo A63B 19/00
 446/236
 6,146,343 A * 11/2000 Stewart A61H 15/00
 601/118
 6,309,331 B1 * 10/2001 Raymond A61H 15/00
 482/132
 6,390,997 B1 5/2002 Vitko
 D491,271 S * 6/2004 Siegfried D24/211
 D491,671 S * 6/2004 Kim D24/211
 7,458,945 B2 12/2008 Zemont
 D609,802 S * 2/2010 Harren D24/108
 8,224,464 B2 7/2012 Wise
 8,337,435 B2 12/2012 Wise
 D691,279 S * 10/2013 Hane-Karr D24/211
 8,632,482 B2 1/2014 Wise
 D709,136 S * 7/2014 Goldman D21/412

D709,137 S * 7/2014 Goldman D21/412
 D721,819 S * 1/2015 Lethorn D24/211
 8,998,832 B2 * 4/2015 Almeida A61H 9/0078
 601/134
 9,079,072 B2 * 7/2015 Agostini A63B 22/18
 D740,432 S * 10/2015 Wu D24/211
 9,387,363 B1 * 7/2016 Polinsky A63B 26/003
 D791,247 S * 7/2017 O'Brien D21/412
 D822,221 S * 7/2018 Huth D24/211
 D832,452 S * 10/2018 Adams D24/211
 D838,861 S * 1/2019 Smith D24/215
 10,207,150 B2 * 2/2019 Noorzai A63B 26/003
 D843,002 S * 3/2019 Yarborough D24/211
 D844,796 S * 4/2019 Wise D24/211
 2009/0210027 A1 8/2009 Wise
 2011/0071446 A1 3/2011 Citrin
 2012/0059405 A1 3/2012 Reynolds et al.
 2012/0253379 A1 10/2012 Wise
 2013/0116600 A1 5/2013 Wise
 2015/0238793 A1 * 8/2015 Kramer A63C 17/0093
 482/142
 2017/0273850 A1 9/2017 Wise

* cited by examiner

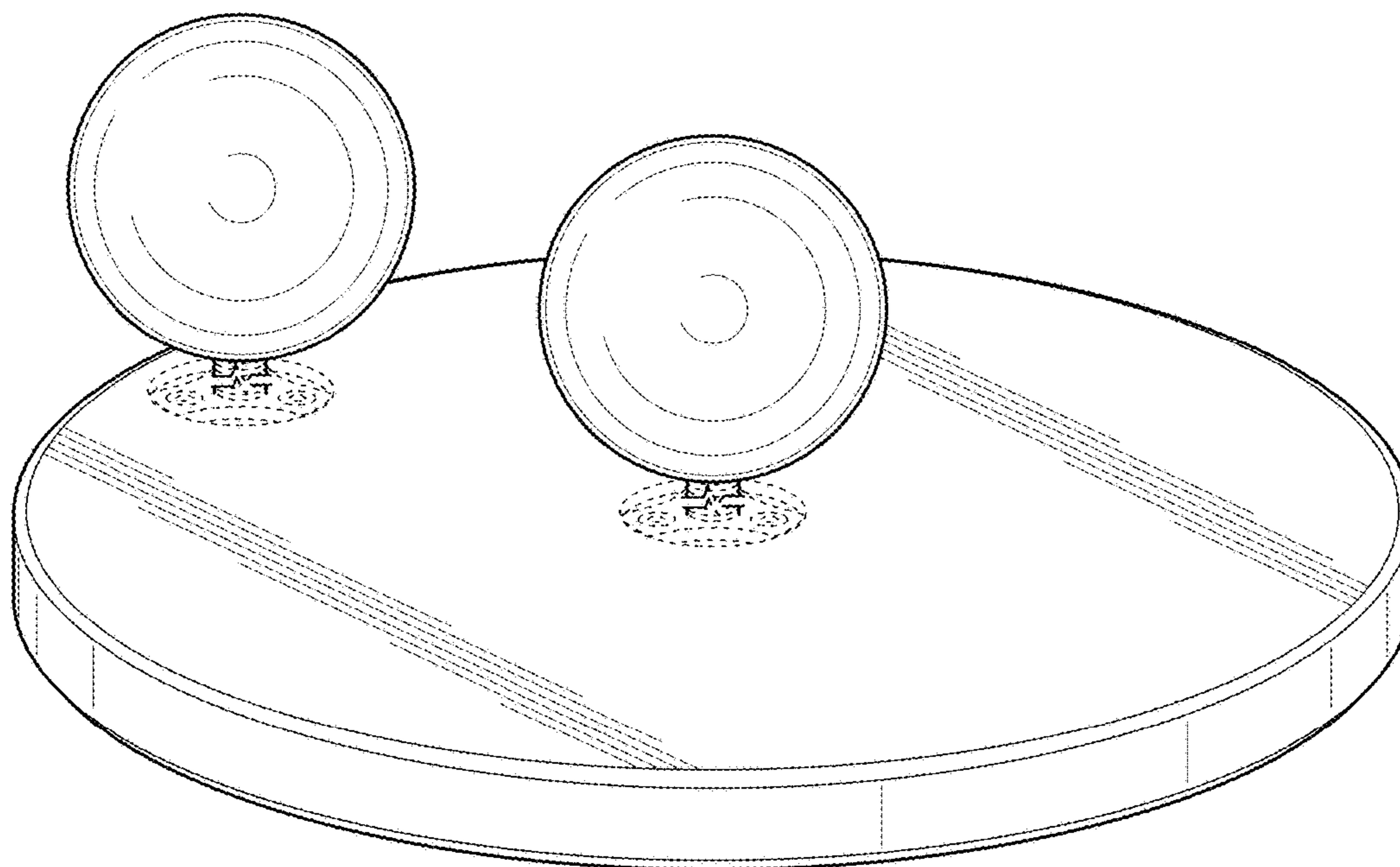


FIG. 1

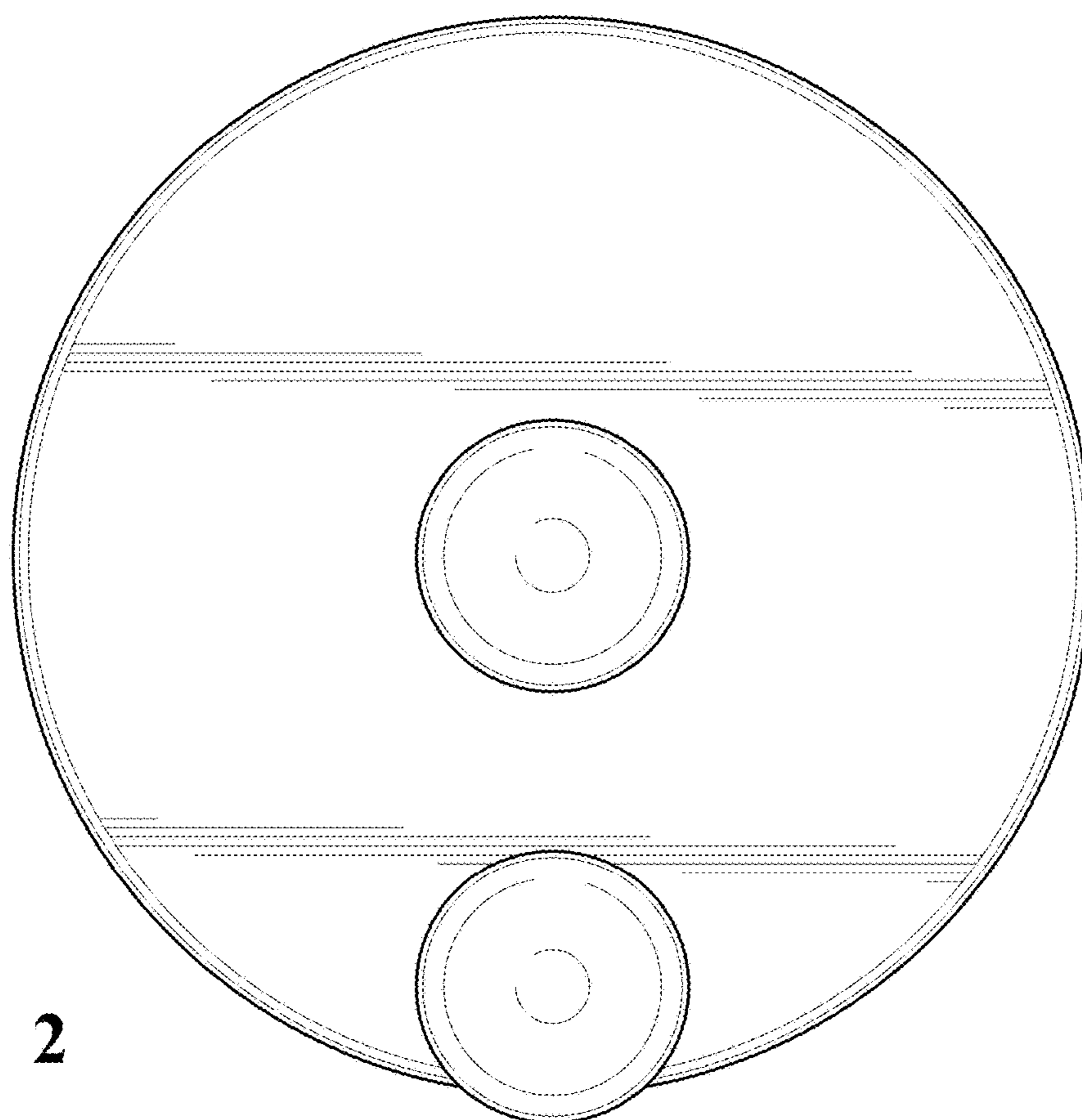


FIG. 2

FIG. 3

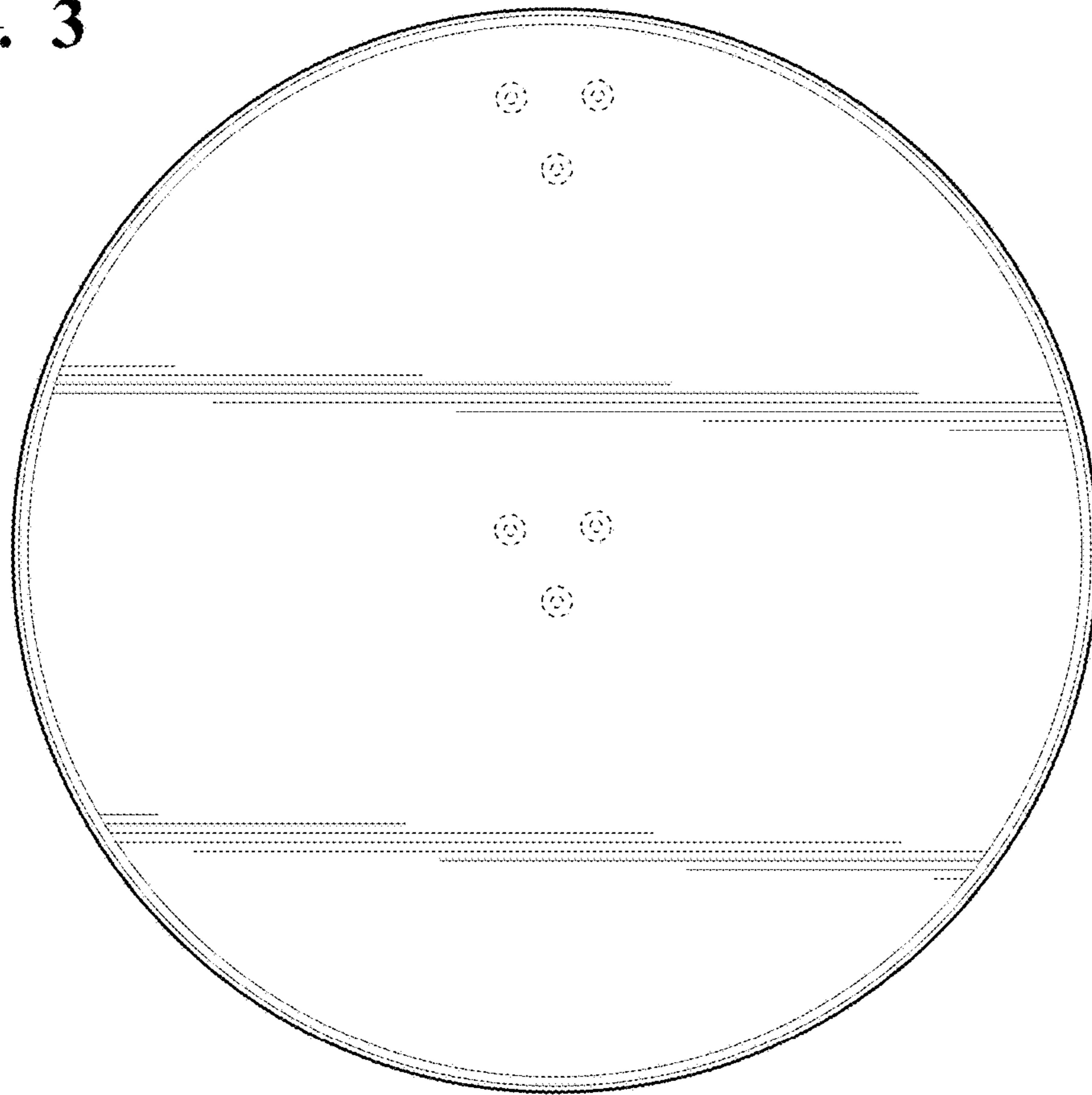


FIG. 4

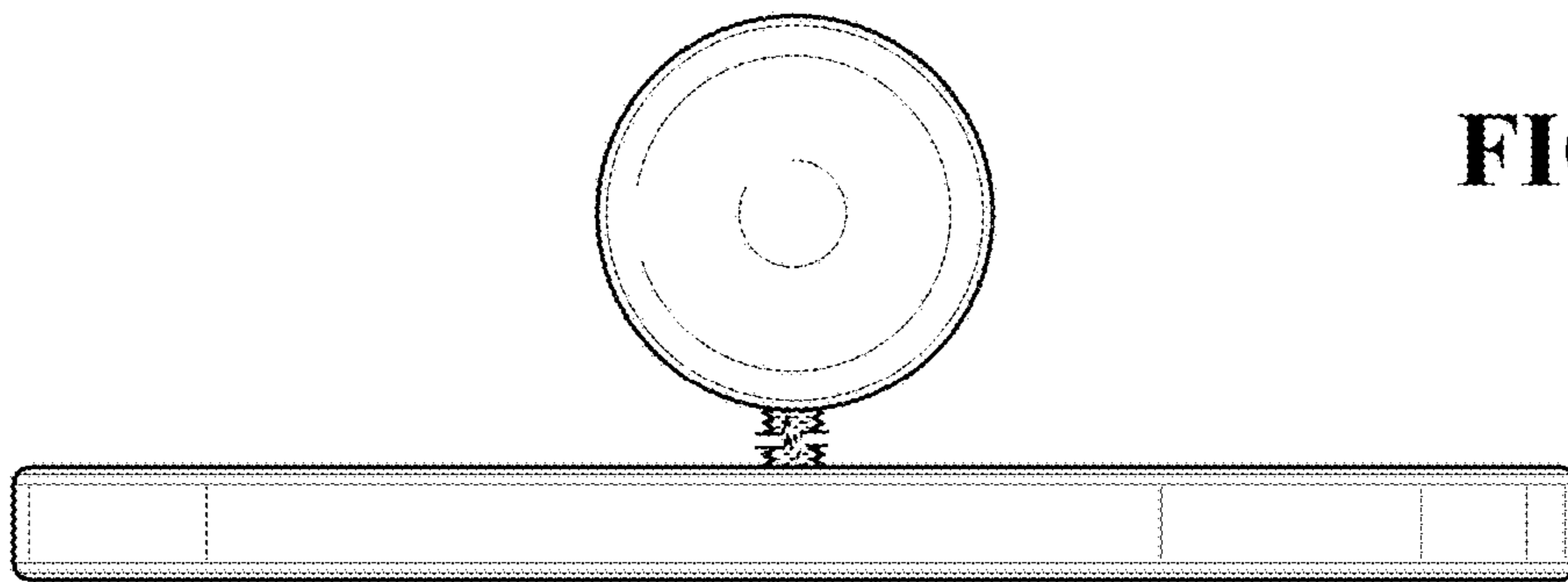


FIG. 5

