



US00D863576S

(12) **United States Design Patent** (10) **Patent No.:** **US D863,576 S**
Taylor (45) **Date of Patent:** **** Oct. 15, 2019**

(54) **FACE SOAKING DEVICE**

FOREIGN PATENT DOCUMENTS

(71) Applicant: **John Richard Taylor**, Arp, TX (US)

EP 0930033 A1 7/1999
EP 2868218 A1 6/2015

(72) Inventor: **John Richard Taylor**, Arp, TX (US)

(Continued)

(**) Term: **15 Years**

OTHER PUBLICATIONS

(21) Appl. No.: **29/610,889**

Be26-minimal-circle-blur-art-illusion, posted at androidpapers.co, online URL: <http://androidpapers.co/be26-minimal-circle-blur-art-illustration/> (Year: 2019).

(22) Filed: **Jul. 17, 2017**

(Continued)

Related U.S. Application Data

(63) Continuation-in-part of application No. 14/877,856, filed on Oct. 7, 2015, and a continuation-in-part of application No. 14/964,552, filed on Dec. 9, 2015, and a continuation-in-part of application No. 15/581,919, filed on Apr. 28, 2017, and a

(Continued)

Primary Examiner — Barbara Fox
Assistant Examiner — Mary Shannon Malley
(74) *Attorney, Agent, or Firm* — Eric Kelly

(51) **LOC (12) Cl.** **24-01**

(57) **CLAIM**

(52) **U.S. Cl.**
USPC **D24/205**

The ornamental design for a face soaking device, as shown and described.

(58) **Field of Classification Search**

USPC D24/201–205, 213, 206, 200;
D23/276–278, 280.1–280.3; D6/360,
D6/336, 338, 364, 365, 708, 708.17,
D6/708.18, 716, 716.1; D28/56, 61;
4/557, 558
CPC A61H 33/6005; A61H 33/6021; A61H
33/6089; A61H 33/6094; A61H 2035/004;
A61H 35/006; A61H 35/00; A61H
35/008; A61H 35/02; A61H 35/04; A47K
3/022; A47K 3/062; A47K 1/04; A61M
2210/0606; A61M 2202/04; A61N 5/0616

See application file for complete search history.

DESCRIPTION

FIG. 1 depicts a perspective view of a face soaking device; FIG. 2 depicts a front view of the face soaking device of FIG. 1; FIG. 3 depicts a back view of the face soaking device of FIG. 1; FIG. 4 depicts a left-side view of the face soaking device of FIG. 1; FIG. 5 depicts a right-side view of the face soaking device of FIG. 1; FIG. 6 depicts a top view of the face soaking device of FIG. 1; and, FIG. 7 depicts a bottom view of the face soaking device of FIG. 1.

The broken lines in the figures depict portions of the face soaking device that form no part of the claimed design.

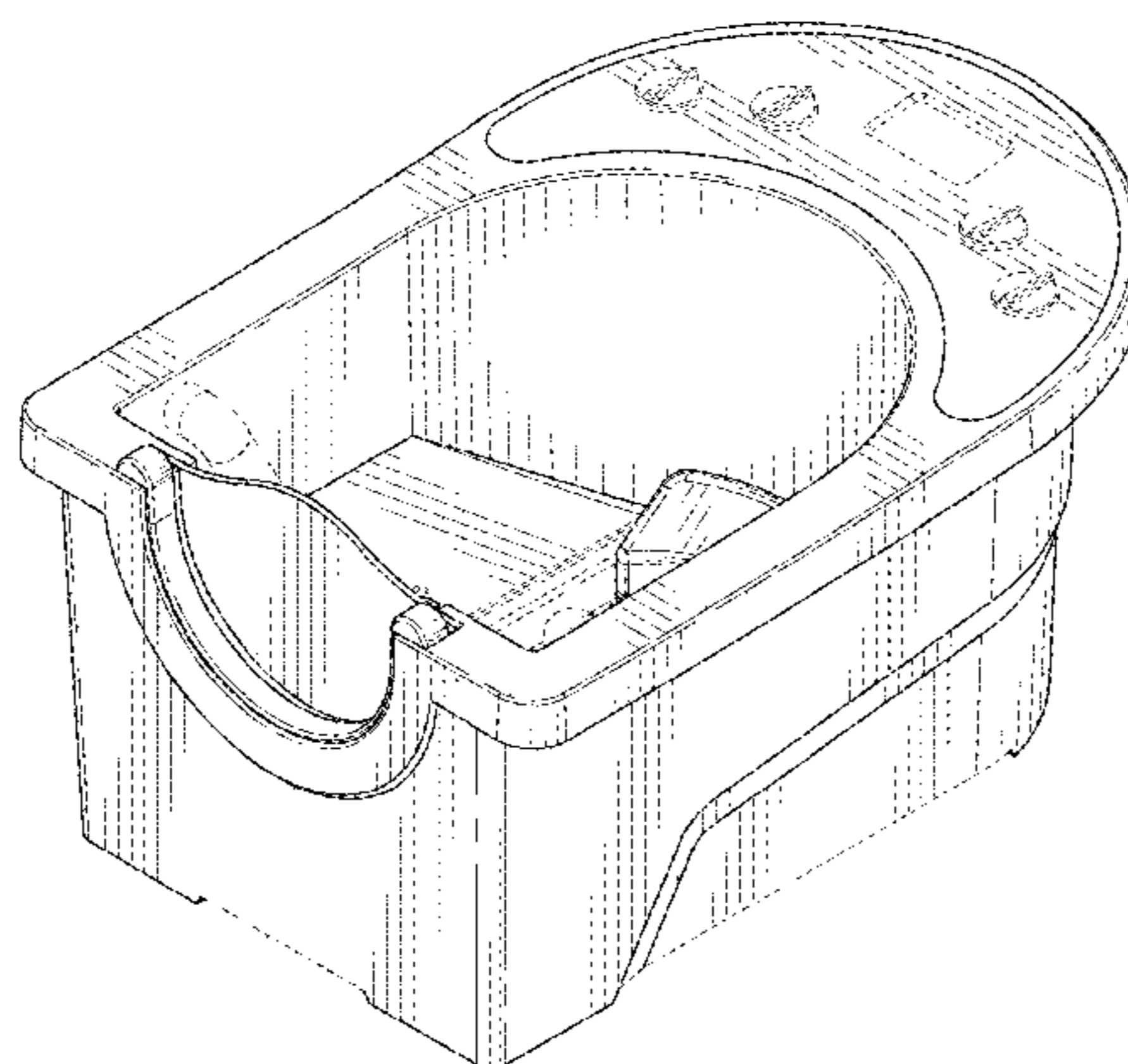
(56) **References Cited**

U.S. PATENT DOCUMENTS

1,446,841 A 2/1923 Dietsche
2,475,259 A 4/1945 Singleton
3,465,370 A 9/1969 Chernick

(Continued)

1 Claim, 7 Drawing Sheets



Related U.S. Application Data

continuation-in-part of application No. 29/606,781,
filed on Jun. 7, 2017.

(56)

References Cited

U.S. PATENT DOCUMENTS

3,733,620	A	5/1973	Glantz	
4,004,302	A	1/1977	Hori	
D249,278	S	9/1978	Milligan	
4,152,792	A	5/1979	Glantz	
4,281,423	A	8/1981	Fukunaga	
4,546,504	A	10/1985	Vars	
4,561,979	A	12/1985	Harms	
4,649,580	A	3/1987	Bastien	
4,864,667	A	9/1989	Adams	
5,245,713	A	9/1993	Tickle	
5,381,562	A	1/1995	Holloway	
D396,982	S	8/1998	Harris	
D398,075	S	9/1998	Book	
6,328,031	B1	12/2001	Tischer	
6,405,389	B1	6/2002	Harty	
D461,278	S	8/2002	Takechi	
6,558,344	B2	5/2003	McKinnon	
6,609,257	B1	8/2003	O'Geary	
D483,493	S *	12/2003	Lie	D24/203
D491,670	S *	6/2004	Leung	D24/203
D495,059	S *	8/2004	Lie	D24/203
D500,893	S	1/2005	Chang	
D522,174	S	5/2006	Jackel-Marken	
D551,513	S	9/2007	Fiorella	
D566,246	S *	4/2008	Cunningham	D23/277
D573,260	S	7/2008	Dunshee	
7,448,093	B1	11/2008	Ruck	
D583,958	S	12/2008	Usui	
7,641,835	B2	1/2010	Ramsey	
D621,927	S	8/2010	Dominguez	
7,785,303	B2	8/2010	Tapadiya	
D632,798	S *	2/2011	Tran	D24/204
7,931,157	B1	4/2011	Palumbo	
D638,170	S	5/2011	Chen	
D672,086	S	12/2012	Tai	
8,375,478	B2	2/2013	Luo	
D692,149	S	10/2013	Uematsu	
D707,997	S	7/2014	English	
D712,558	S	9/2014	Ledbetter	

D715,002	S	10/2014	Chang	
D716,958	S	11/2014	Thomas	
D736,939	S *	8/2015	McKay	D24/204
D736,940	S *	8/2015	McKay	D24/204
D757,280	S	5/2016	Ogaki	
D757,282	S	5/2016	Loyd	
D767,154	S	9/2016	Bromilow	
9,669,519	B2	6/2017	Wunderlich	
D809,804	S	2/2018	Tai	
D831,838	S *	10/2018	Koifman	D24/209
D837,542	S	1/2019	Nicoll	
2002/0146955	A1	10/2002	Levine	
2004/0025243	A1	2/2004	Chien	
2004/0225265	A1	11/2004	Tapadiya	
2008/0234610	A1	9/2008	Summers	
2010/0006467	A1	1/2010	Joseph	
2011/0225726	A1	9/2011	Dominguez	
2012/0222210	A1	9/2012	Wiggins	
2012/0227177	A1	9/2012	Kiser	
2013/0053737	A1	2/2013	Scerbo	
2014/0073996	A1	3/2014	Jaguan	
2015/0305573	A1	10/2015	Stafford	
2015/0328393	A1	11/2015	Stephens	
2016/0213562	A1 *	7/2016	Gathers	A61H 35/00

FOREIGN PATENT DOCUMENTS

FR	2637180	A1	6/1990
JP	558358	S	4/1981
JP	1367329		8/2009
JP	1367331		8/2009
WO	2009094601	A2	7/2009

OTHER PUBLICATIONS

CNBTR 5PCS 88mm Universal HCS Flat Semicircle Saw Blades Black, posted at aliexpress.com, online, URL:<https://www.aliexpress.com/item/CNBTR-5PCS-88mm-Universal-HCS-Flat-Semicircle-Saw-Blades-Black/32777274663.html> (Years: 2019).

Find the area of shaded region in FIG. 12.48, where arc(APD, AQB, BRC, and CSD) are semicircles, posted Feb. 8, 2018, posted at sarthaks.com, online, URL:<https://www.sarthaks.com/32495/find-the-area-of-the-shaded-region-in-fig-12-48-where-arc-apd-brc-and-csd-are-semicircles> (Year: 2018).

* cited by examiner

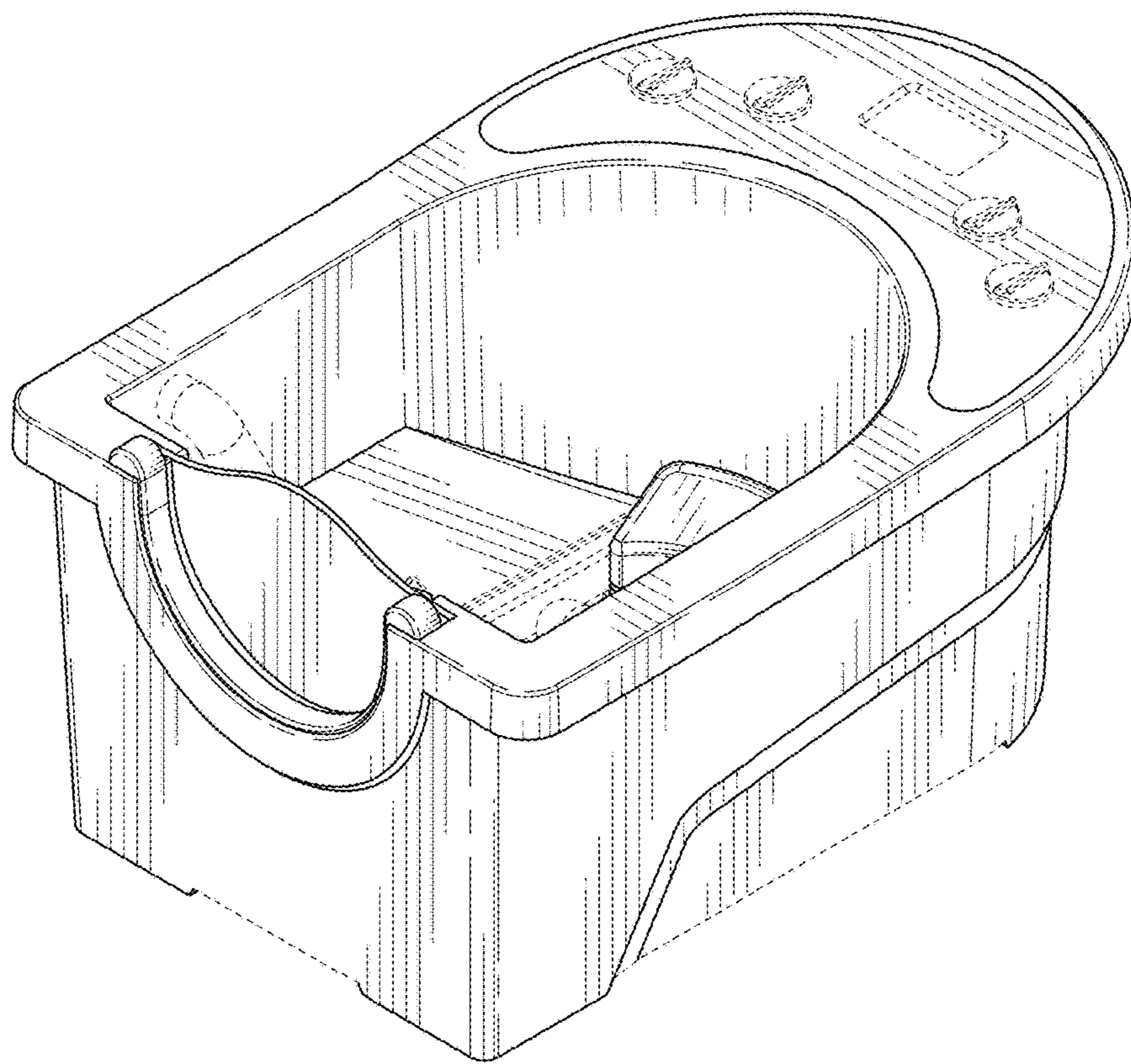


FIG. 1

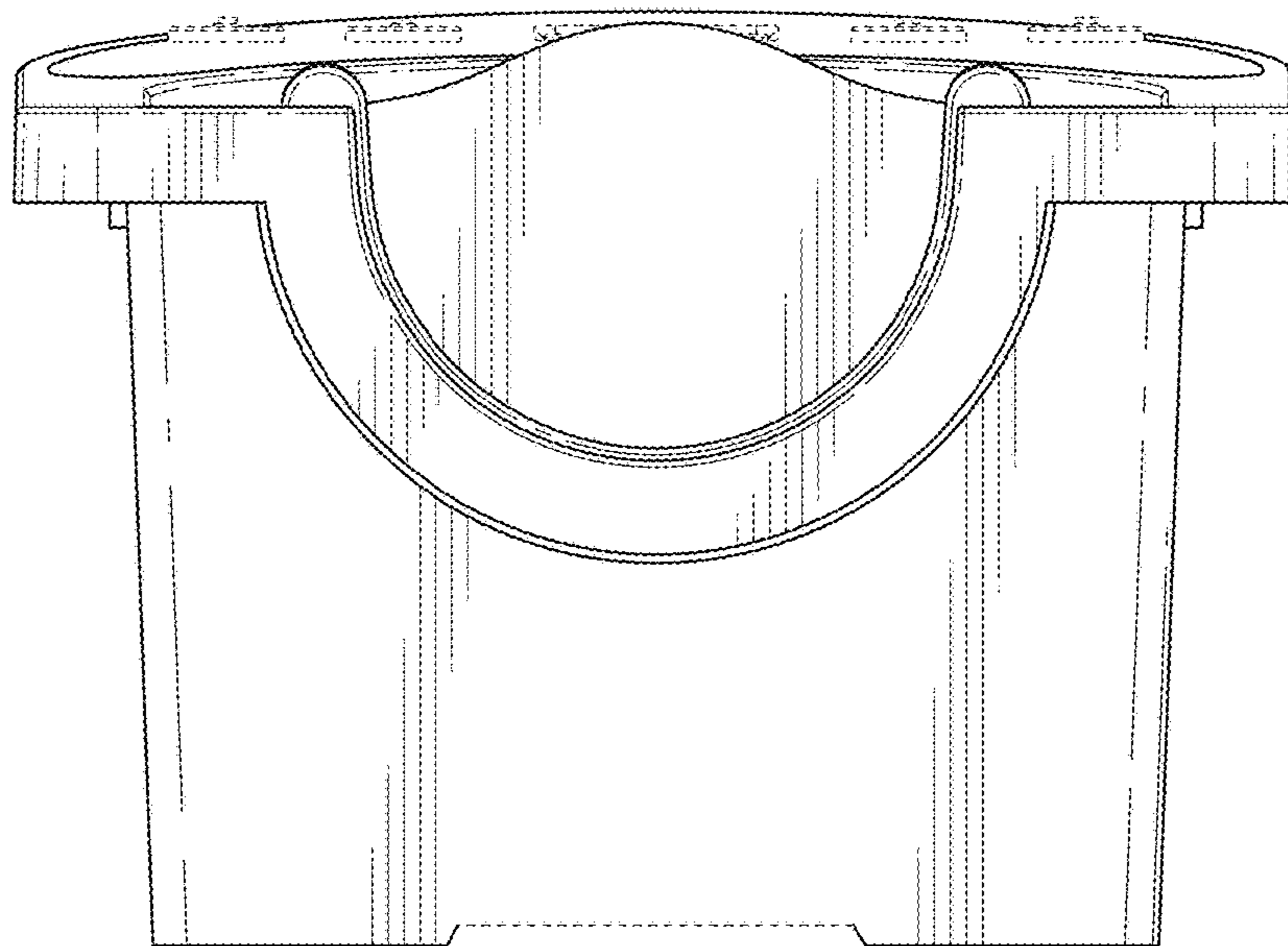


FIG. 2

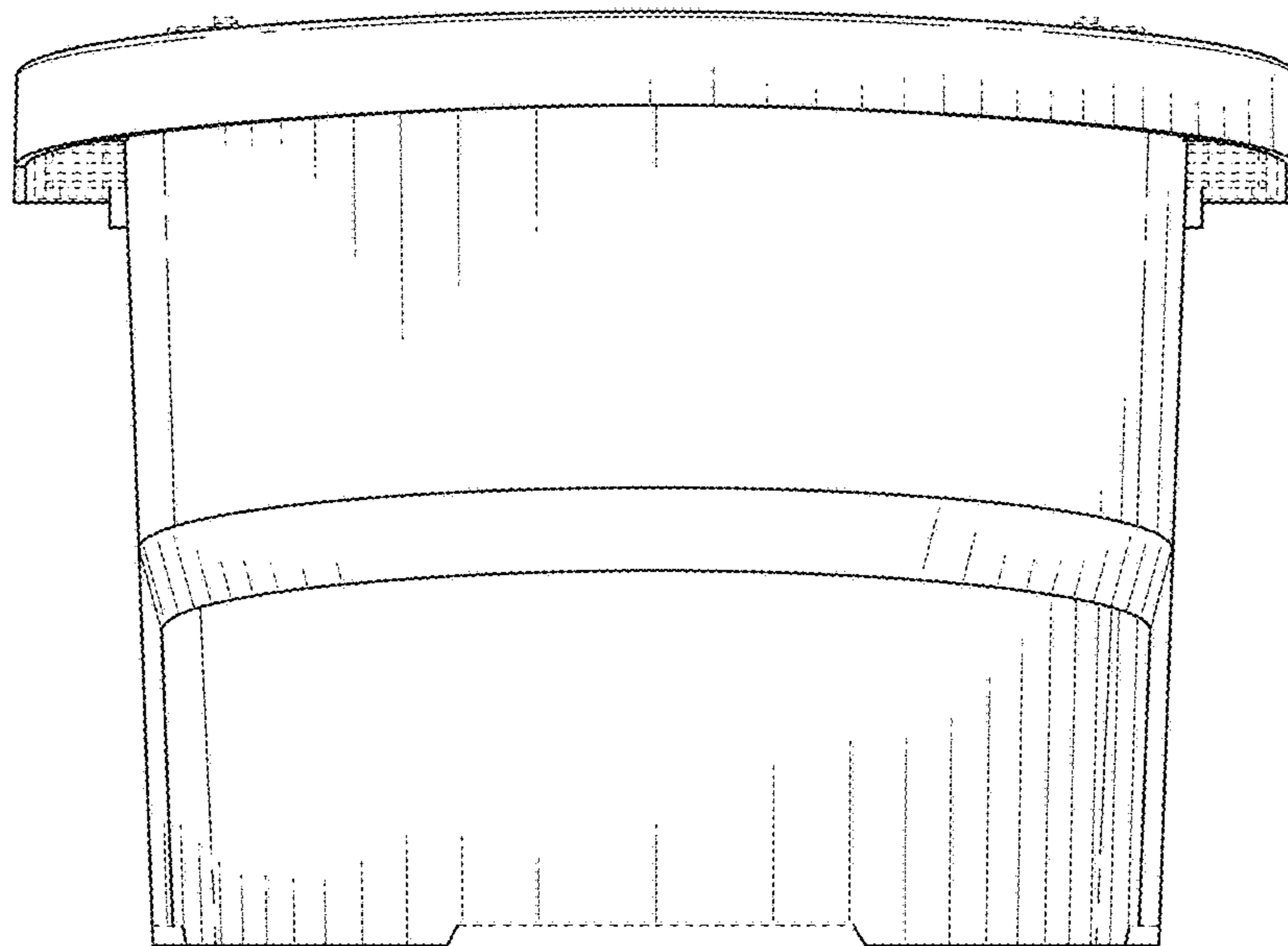


FIG. 3

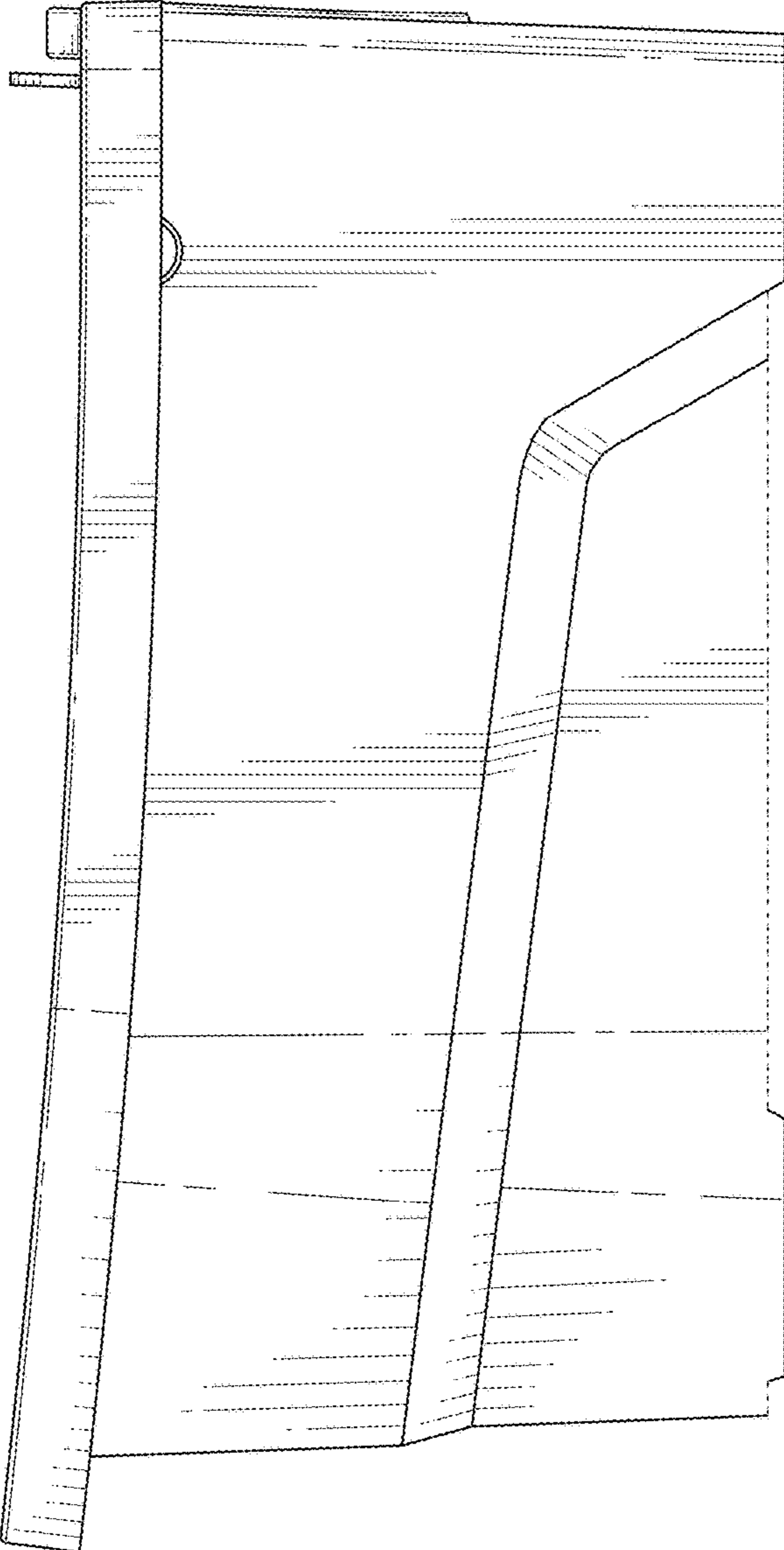


FIG. 4

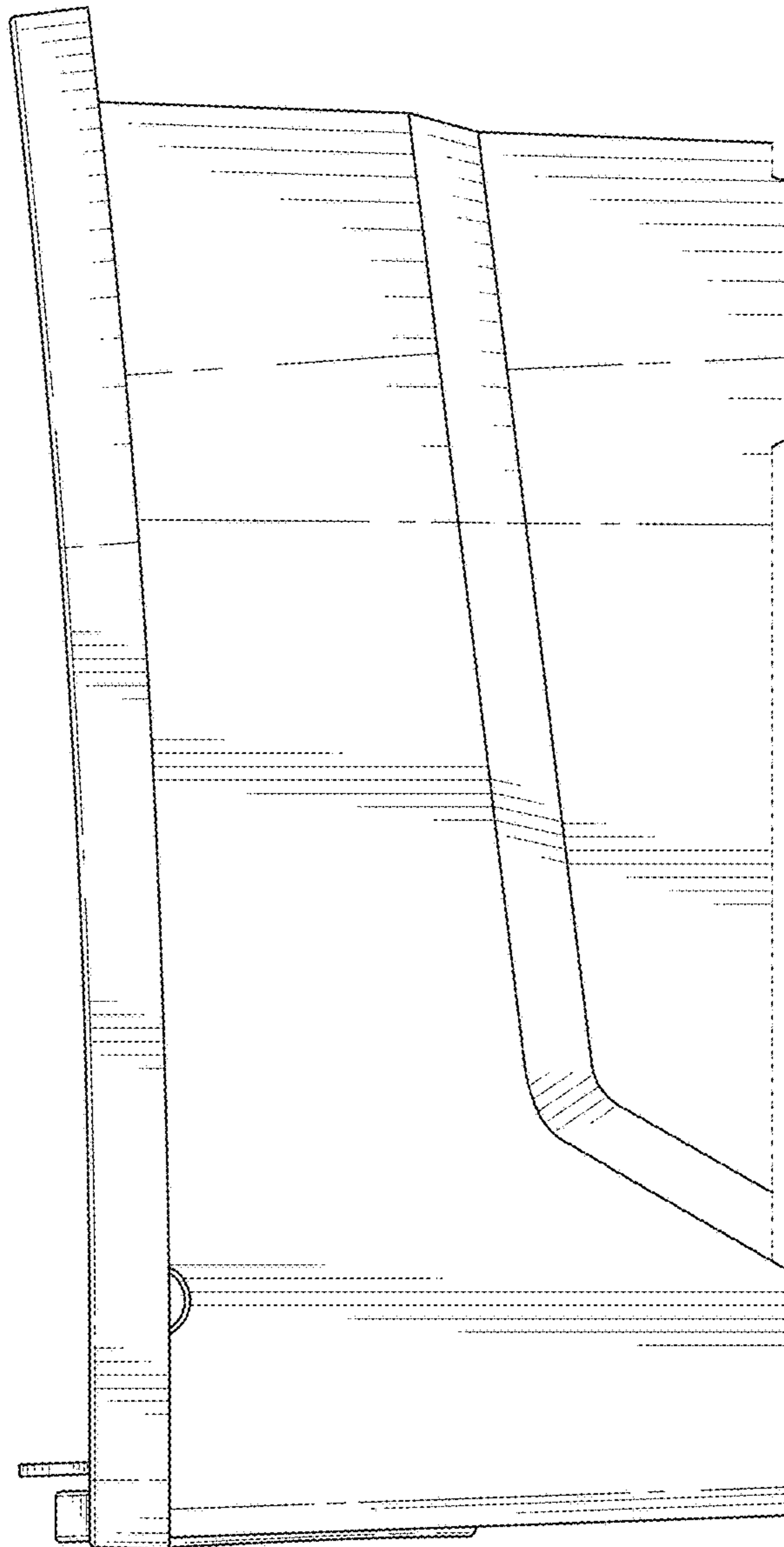


FIG. 5

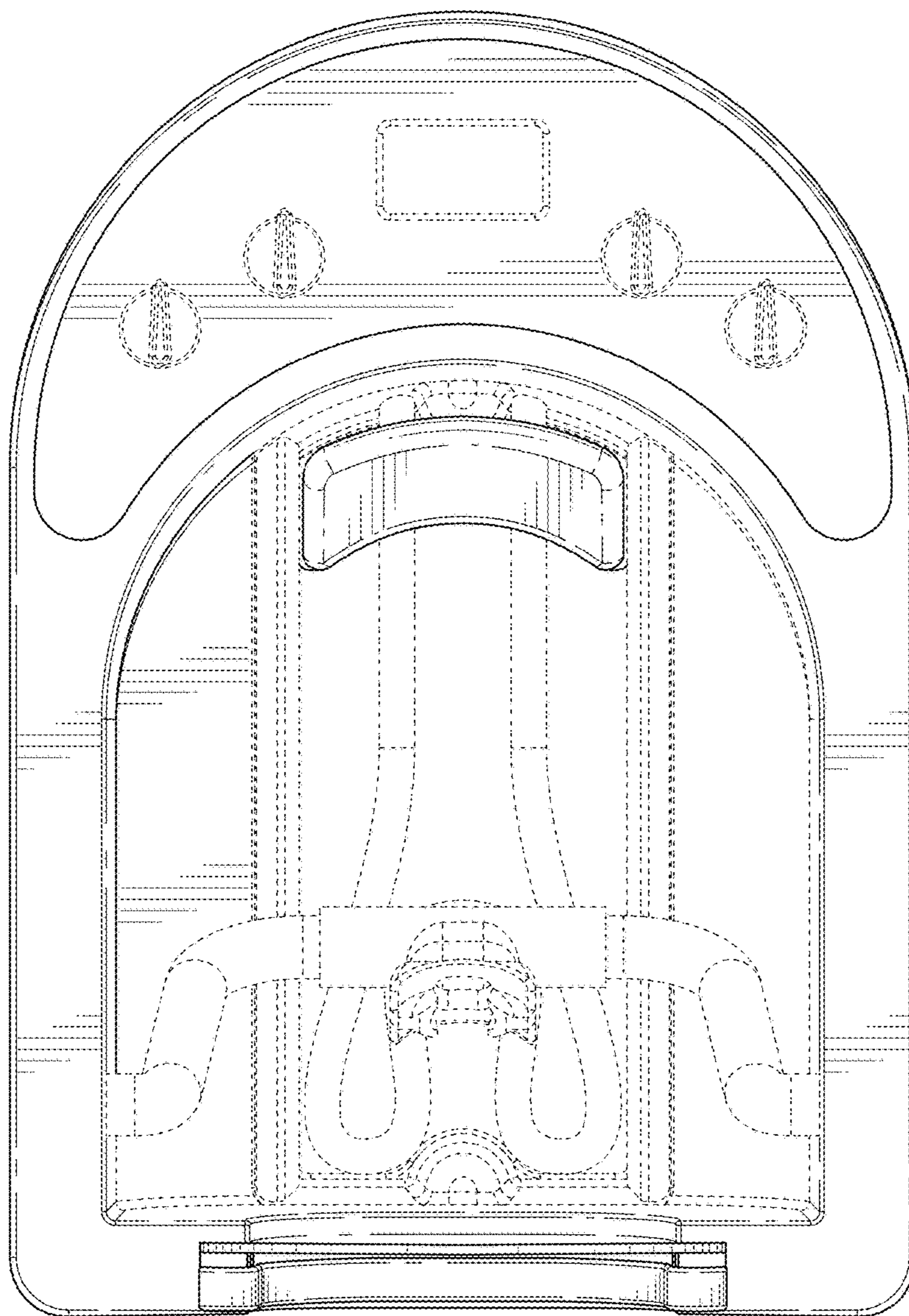


FIG. 6

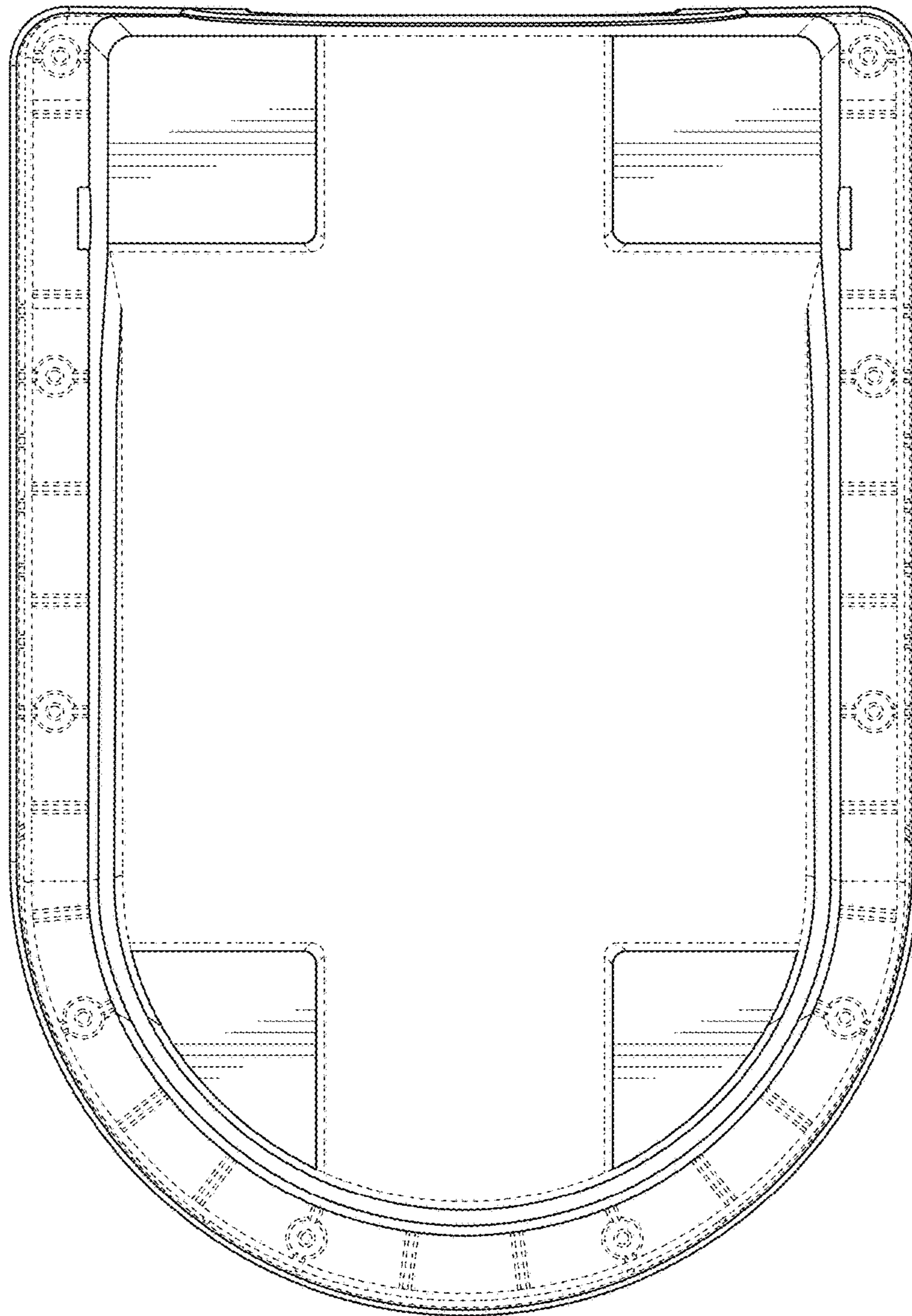


FIG. 7