



US00D863574S

(12) **United States Design Patent**
Yan et al.

(10) **Patent No.:** **US D863,574 S**
(45) **Date of Patent:** **** Oct. 15, 2019**

(54) **SKIN CARE DEVICE**

(71) Applicant: **Guangdong Roman Technology Co., Ltd.**, Dongguan (CN)

(72) Inventors: **Youchun Yan**, Dongguan (CN);
Yongjun Deng, Dongguan (CN)

(73) Assignee: **Guangdong Roman Technology Co., Ltd.**, Dongguan (CN)

(**) Term: **15 Years**

(21) Appl. No.: **29/645,233**

(22) Filed: **Apr. 24, 2018**

(30) **Foreign Application Priority Data**

Dec. 1, 2017 (CN) 2017 3 0605713

(51) **LOC (12) Cl.** **28-03**

(52) **U.S. Cl.**
USPC **D24/200**

(58) **Field of Classification Search**
USPC D24/200, 211, 214–215
CPC A61H 7/00; A61H 7/001; A61H 7/002;
A61H 7/003; A61H 7/004; A61H 7/005;
A61H 15/00; A61H 15/0078; A61H
15/0085; A61H 15/0092; A61H
2015/0007; A61H 2015/0021; A61H
2015/0042; A61H 2015/005; A61H
2015/0072; A61H 2205/00; A61H
2205/022; A61H 23/0263; A61H 7/007
See application file for complete search history.

(56) **References Cited**

U.S. PATENT DOCUMENTS

D403,075 S * 12/1998 Lie D24/200
D629,118 S * 12/2010 Yeo D24/214
8,620,421 B2 * 12/2013 Yeo A61H 7/005
604/20

D759,831 S * 6/2016 Levi D24/200
9,615,646 B2 * 4/2017 Geva A61H 7/003
D819,221 S * 5/2018 Lei D24/200
10,080,428 B2 * 9/2018 Kern A61H 7/003

FOREIGN PATENT DOCUMENTS

JP D1486046 * 3/2013
JP D1613528 * 4/2018

OTHER PUBLICATIONS

RF skin care device. Retrieved May 14, 2019. Retrieved from the Internet: <https://www.amassagermall.com/product/rf-skin-care-device-face-lift/>.*

RF with EMS Skin Care Device. Retrieved May 14, 2019. Retrieved from the Internet: <https://www.norlanya.com/product/rf-with-ems-skin-care-device/>.*

* cited by examiner

Primary Examiner — Wan Laymon

(74) *Attorney, Agent, or Firm* — Wang Law Firm, Inc.

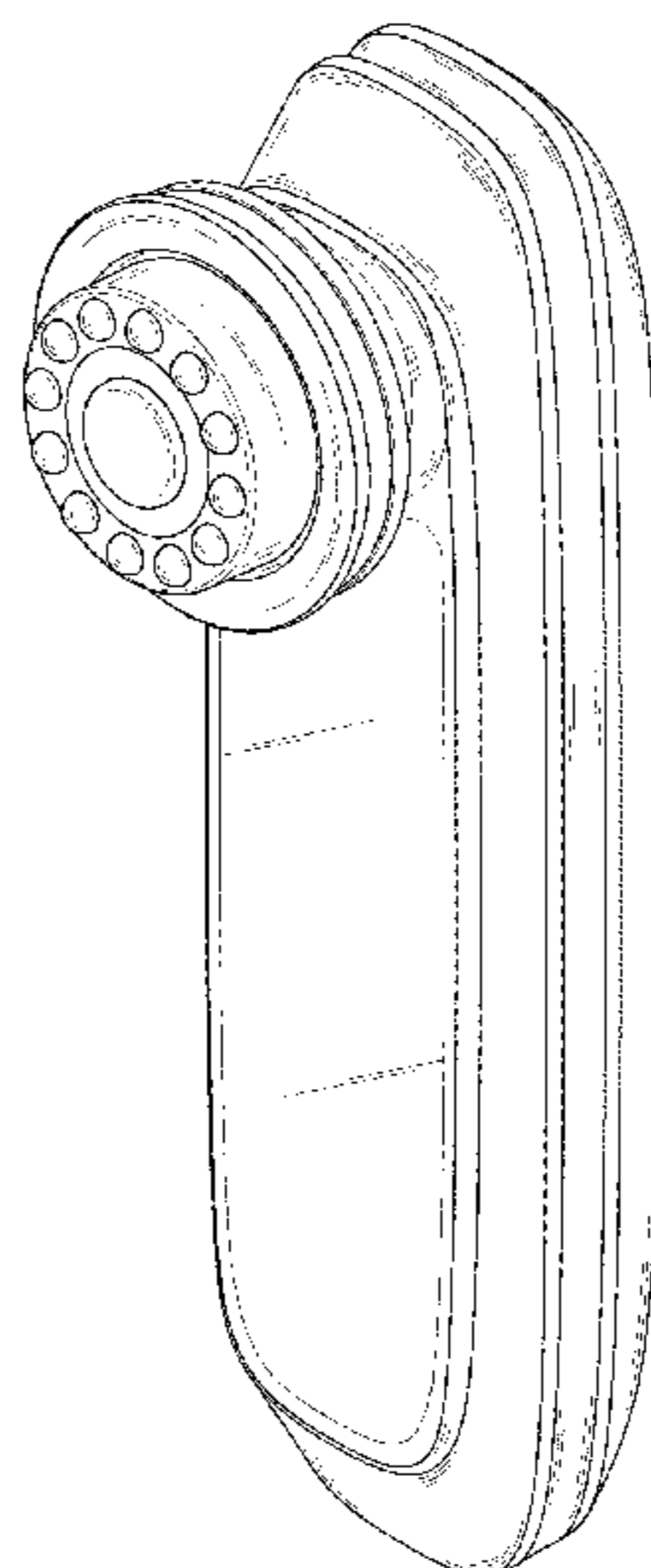
(57) **CLAIM**

The ornamental design for a skin care device, as shown and described.

DESCRIPTION

FIG. 1 is a perspective view of the skin care device showing my new design;
FIG. 2 is a front elevation view thereof;
FIG. 3 is a rear elevation view thereof;
FIG. 4 is a left side elevation view thereof;
FIG. 5 is a top plan view thereof; and,
FIG. 6 is a bottom plan view thereof.
The broken lines shown in the figures are included for the purpose of illustrating portions of the skin care device and form no part of the claimed design.

1 Claim, 6 Drawing Sheets



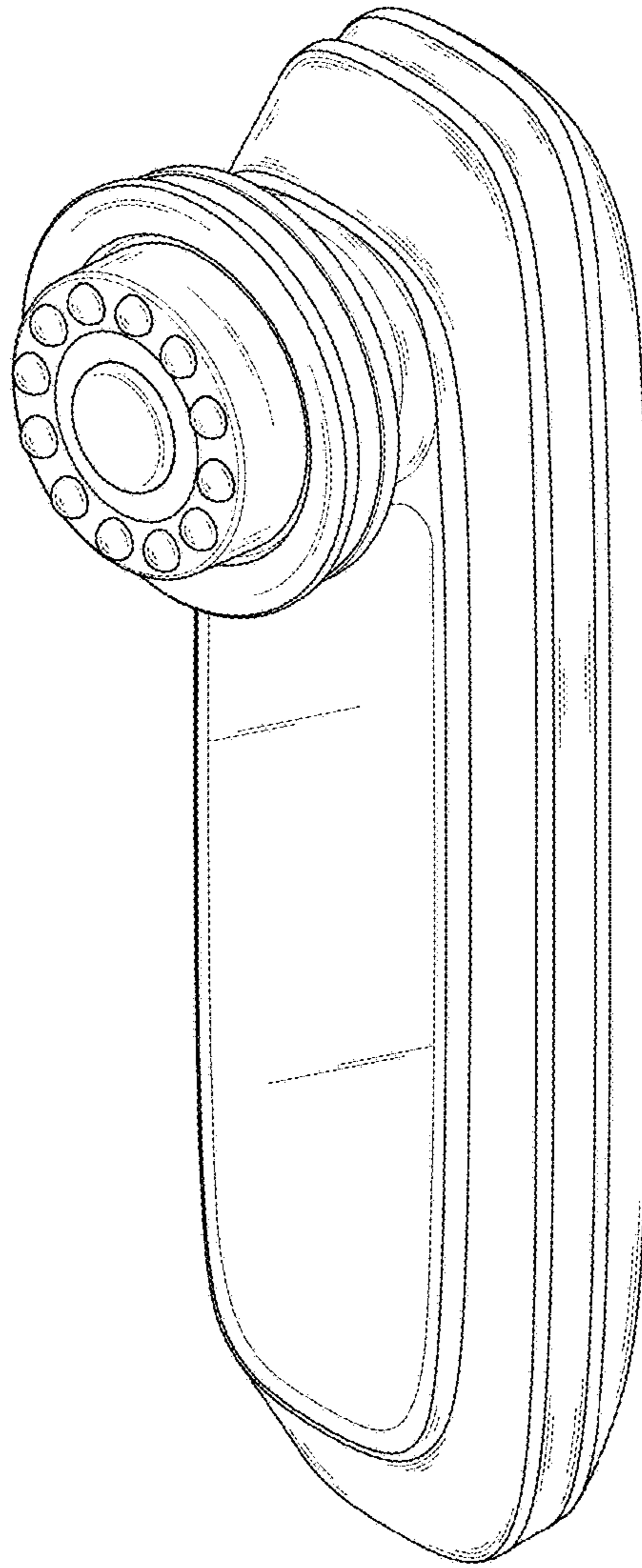


FIG.1

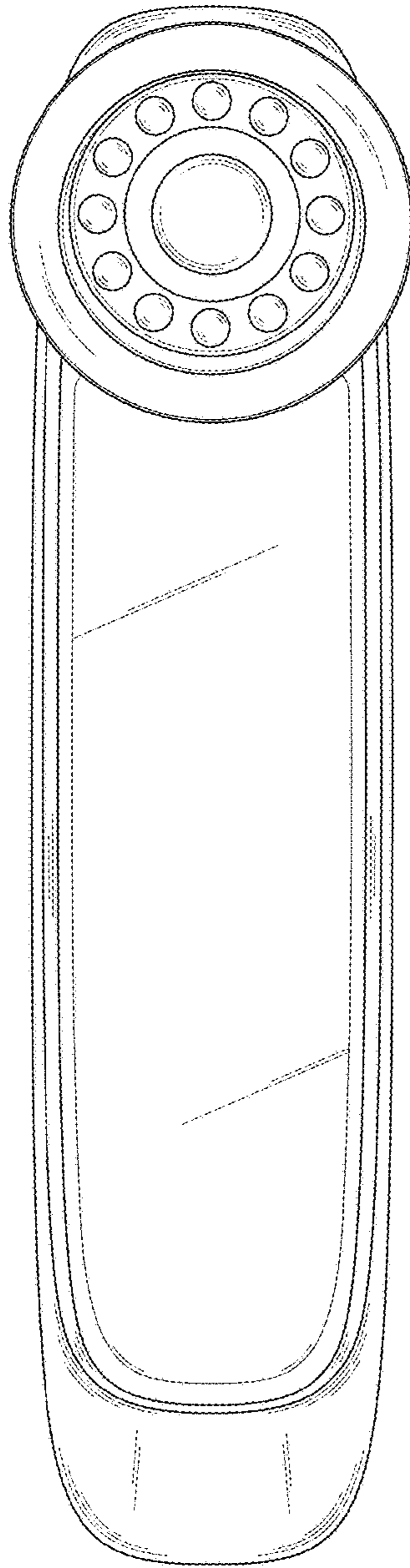


FIG.2

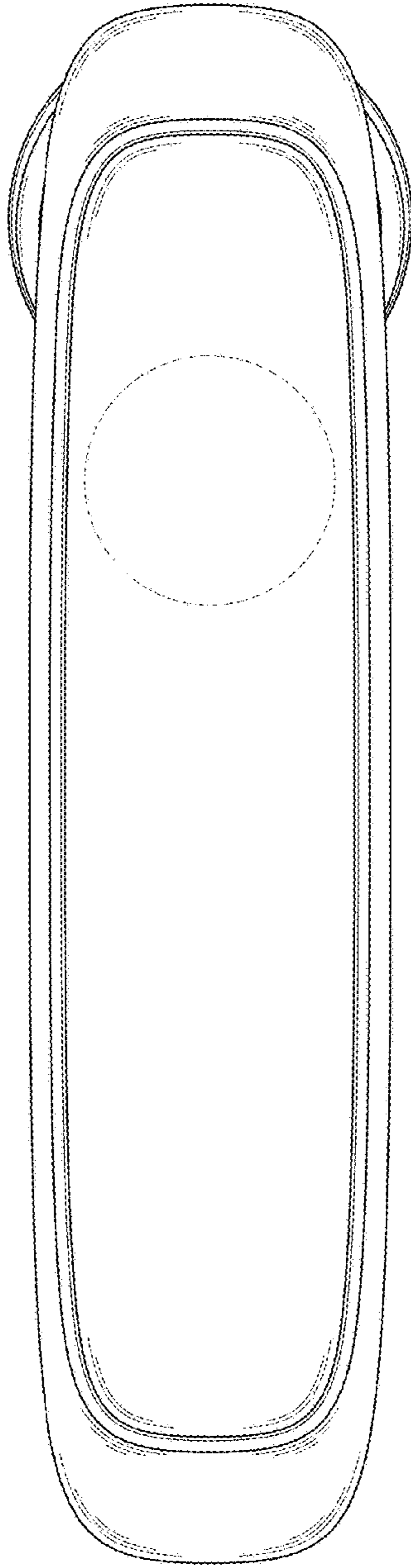


FIG.3

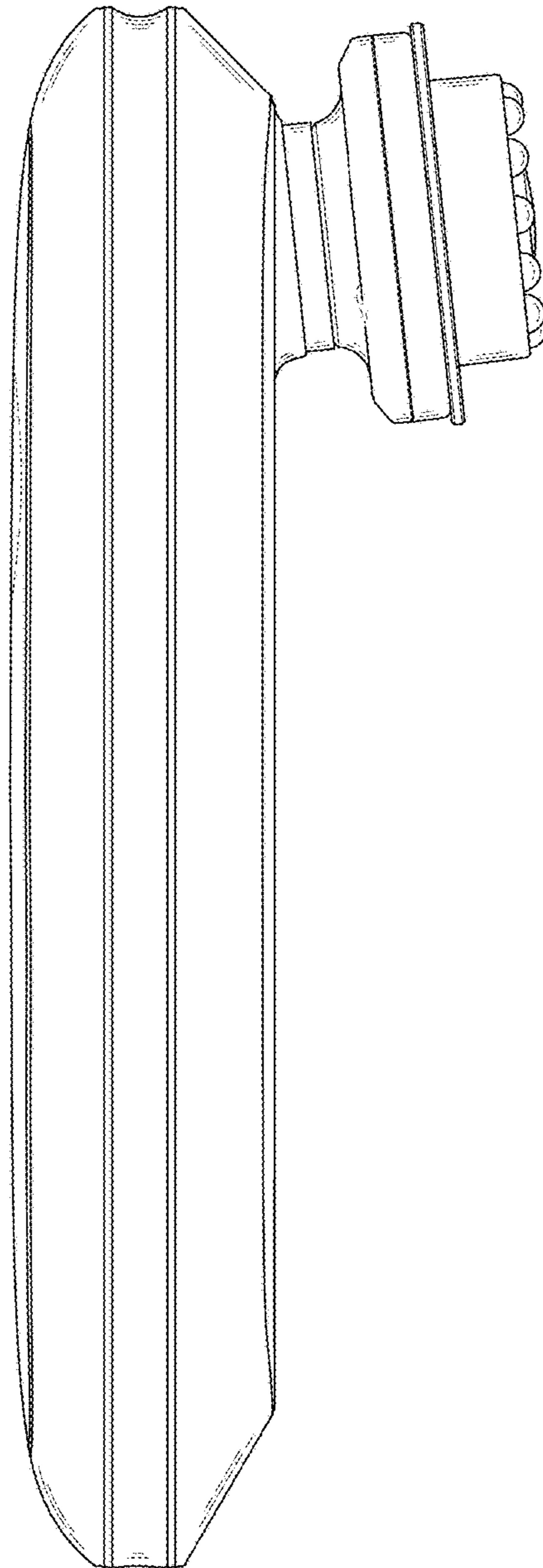


FIG.4

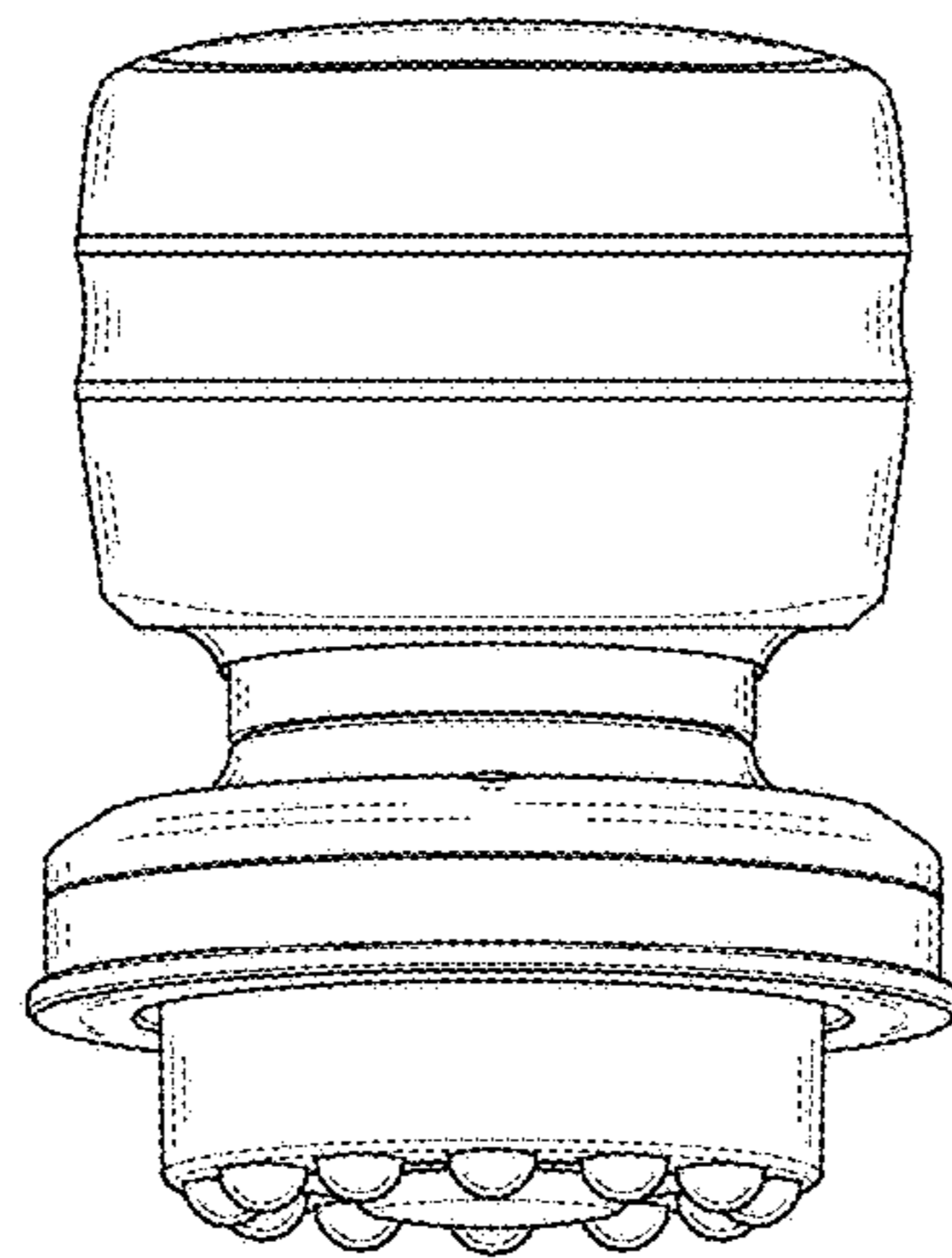


FIG.5

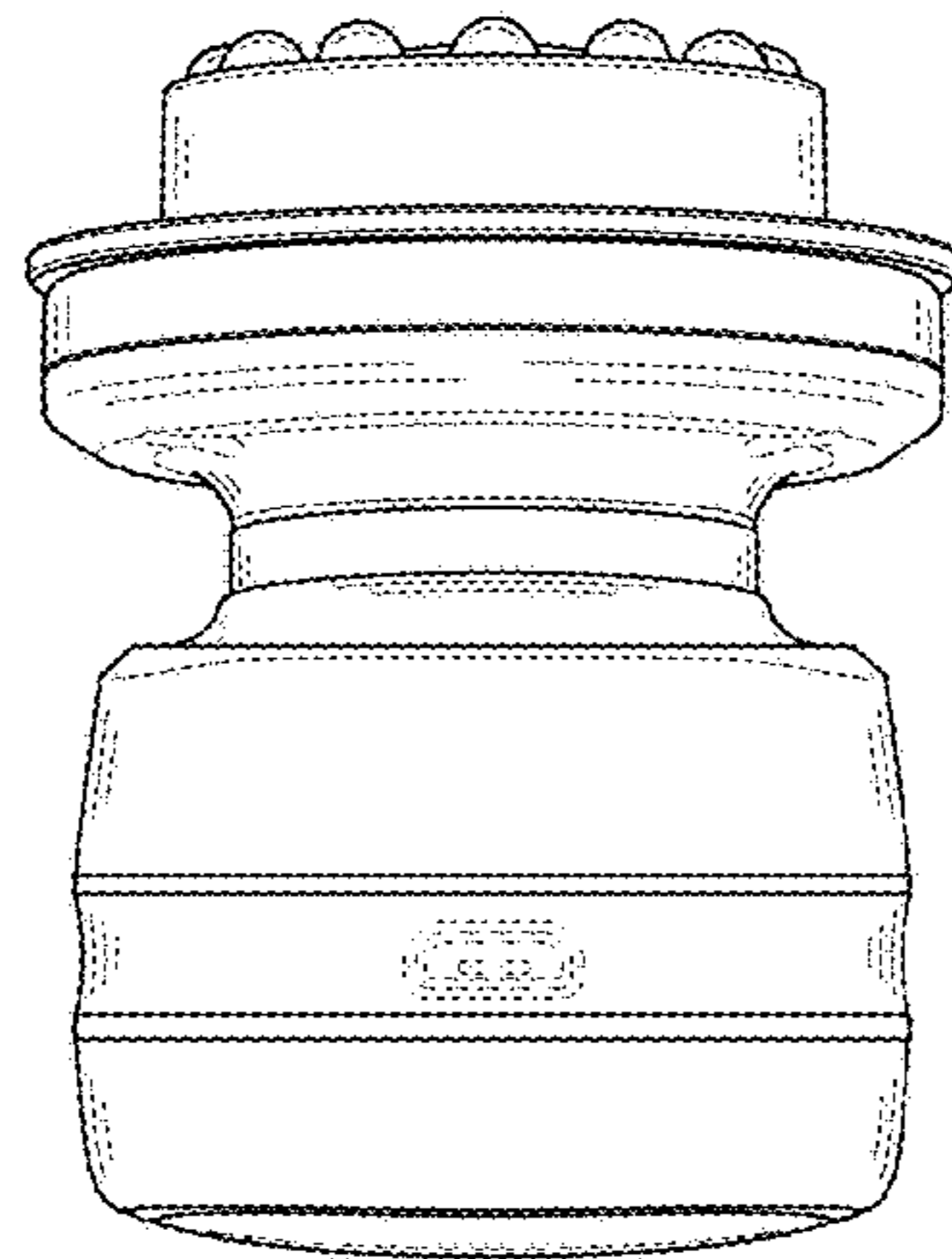


FIG.6