



US00D863572S

(12) **United States Design Patent**
Thomas et al.

(10) **Patent No.:** **US D863,572 S**
(45) **Date of Patent:** **** Oct. 15, 2019**

- (54) **TENS DEVICE**
- (71) Applicant: **HOLLYWOG**, Chattanooga, TN (US)
- (72) Inventors: **Charles M. Thomas**, Hixson, TN (US);
D. Keith Hagy, Hixson, TN (US);
Michael W. Treas, Chattanooga, TN (US);
Jeffrey J. Chu, Norwich, VT (US);
Mike Ewaschuk, Hartford, VT (US);
Josh Page; **Dave Eypper**, Fairlee, VT (US)
- (73) Assignee: **HOLLYWOG**, Chattanooga, TN (US)
- (**) Term: **15 Years**
- (21) Appl. No.: **29/625,500**
- (22) Filed: **Nov. 9, 2017**
- (51) **LOC (12) Cl.** **28-03**
- (52) **U.S. Cl.**
USPC **D24/200**
- (58) **Field of Classification Search**
USPC D24/200, 215, 185–186, 211, 214;
607/46, 15, 80; 601/135, 137
CPC A61N 1/36021; A61N 1/36; A61N 1/0456
See application file for complete search history.

(56) **References Cited**
U.S. PATENT DOCUMENTS

D442,694 S *	5/2001	Cheng	D24/200
D466,217 S *	11/2002	Harris	D24/215
D486,234 S *	2/2004	Chernyshev	D24/200
D523,561 S *	6/2006	Telford	D24/215
D539,917 S *	4/2007	Park	D24/215
D546,958 S *	7/2007	Kim	D24/214
D597,211 S *	7/2009	Ewing	D24/187

8,260,439 B2 *	9/2012	DiUbaldi	A61N 1/0456 607/145
D704,848 S *	5/2014	Thomas	D24/200
D712,052 S *	8/2014	Thomas	D24/200
D764,677 S *	8/2016	Mason	D24/215
9,764,133 B2 *	9/2017	Thomas	A61N 1/36021

* cited by examiner

Primary Examiner — Wan Laymon
(74) *Attorney, Agent, or Firm* — Cantor Colburn LLP

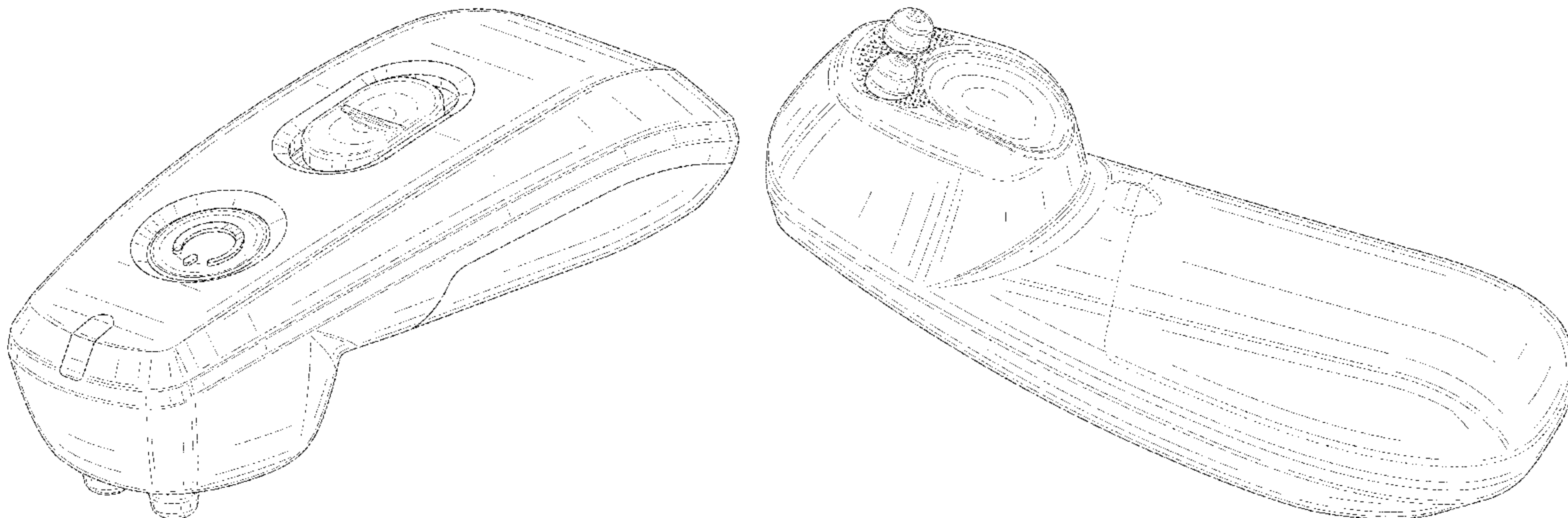
(57) **CLAIM**

The ornamental design for a TENS device, as shown and described.

DESCRIPTION

FIG. 1 is a perspective view of a TENS device design of an embodiment of the present disclosure;
 FIG. 2 is another perspective view thereof;
 FIG. 3 is a top plan view thereof;
 FIG. 4 is a bottom plan view thereof;
 FIG. 5 is a left side view thereof;
 FIG. 6 is a right side view thereof;
 FIG. 7 is a front elevational view thereof;
 FIG. 8 is a rear elevational view thereof.
 FIG. 9 is a perspective view of a TENS device design of yet another embodiment of the present disclosure;
 FIG. 10 is another perspective view thereof;
 FIG. 11 is a top plan view thereof;
 FIG. 12 is a bottom plan view thereof;
 FIG. 13 is a left side view thereof;
 FIG. 14 is a right side view thereof;
 FIG. 15 is a front elevational view thereof; and,
 FIG. 16 is a rear elevational view thereof.
 The broken lines shown represent unclaimed subject matter and form no part of the claimed design.

1 Claim, 14 Drawing Sheets



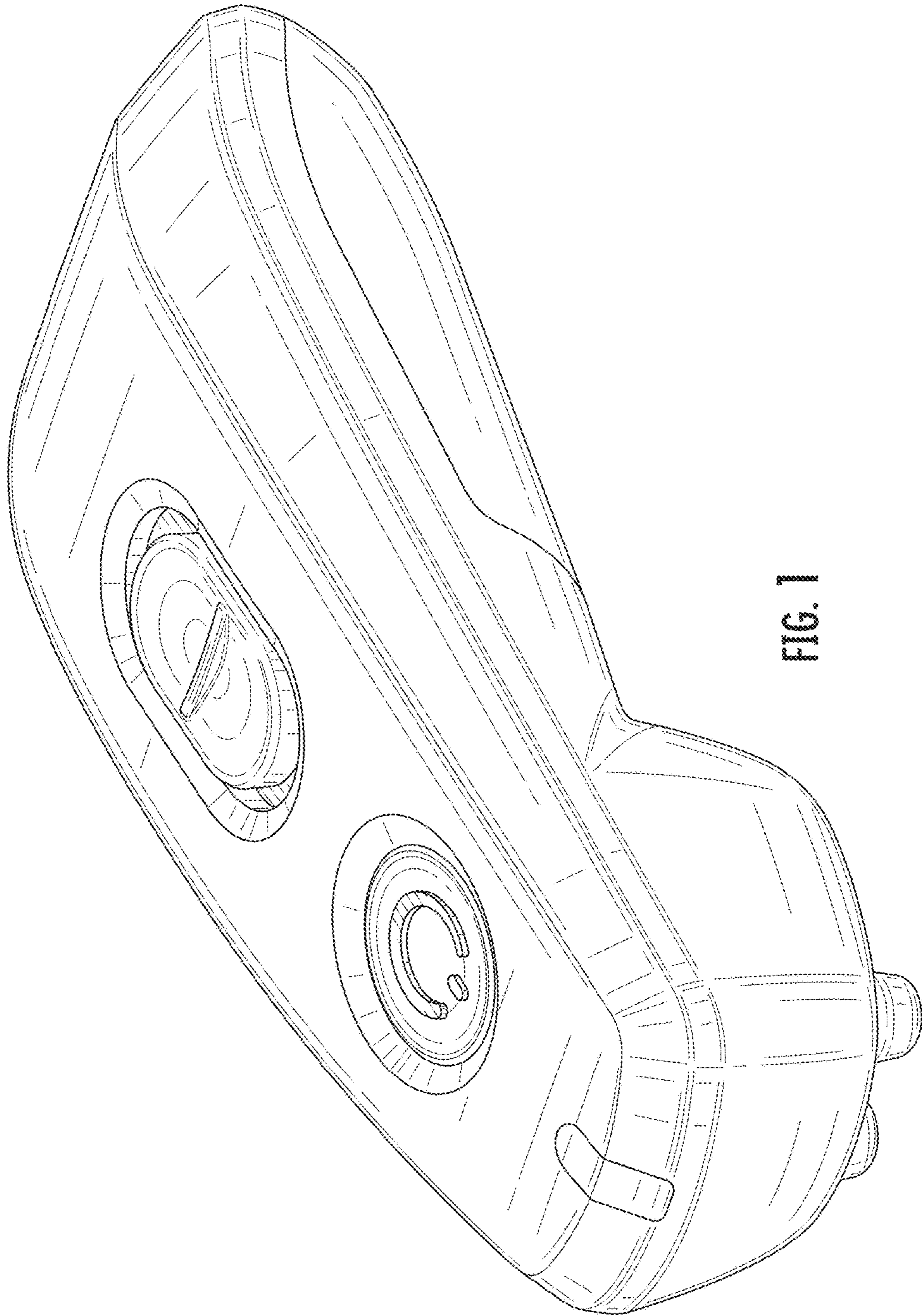


FIG. 1

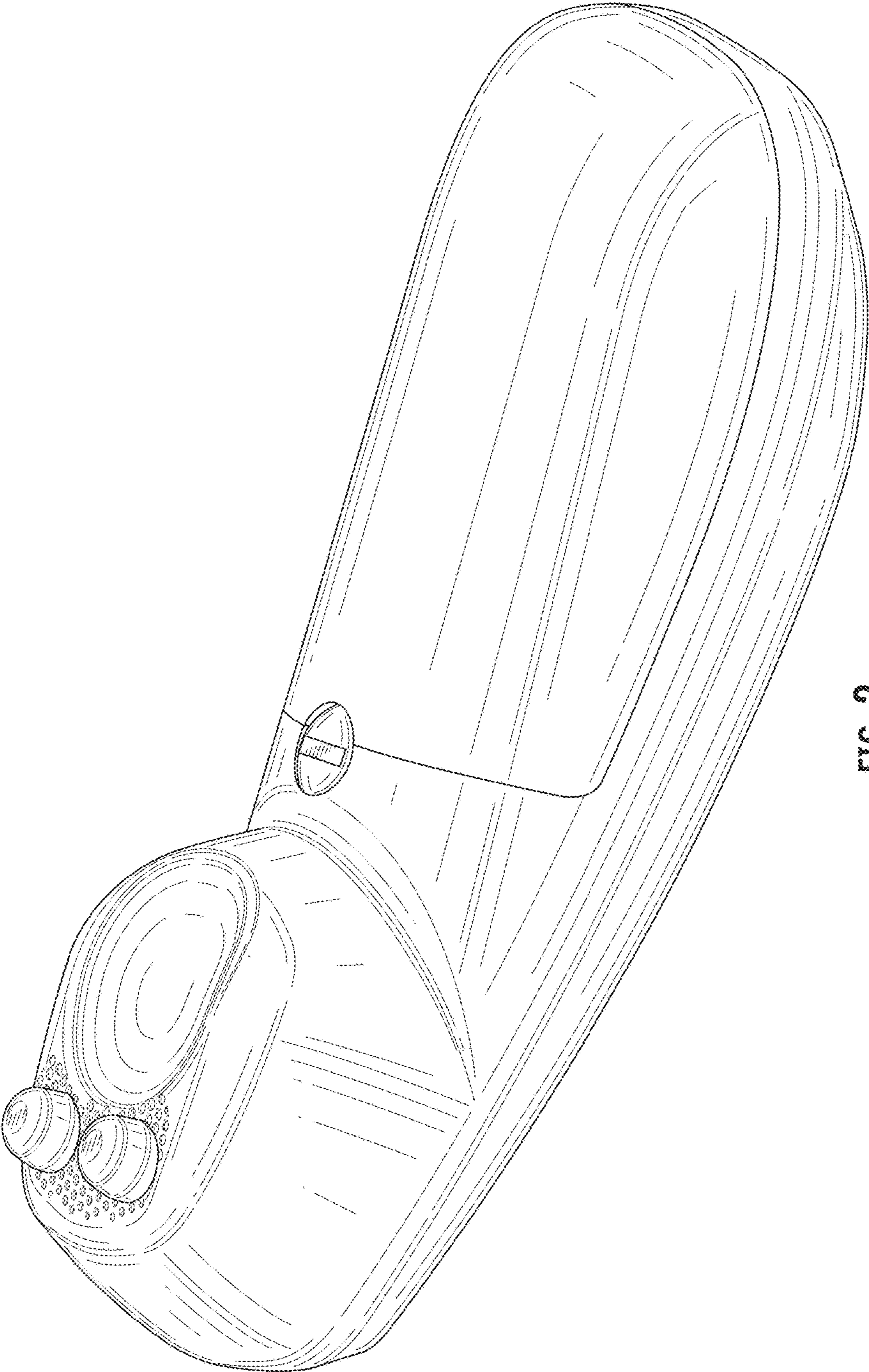


FIG. 2

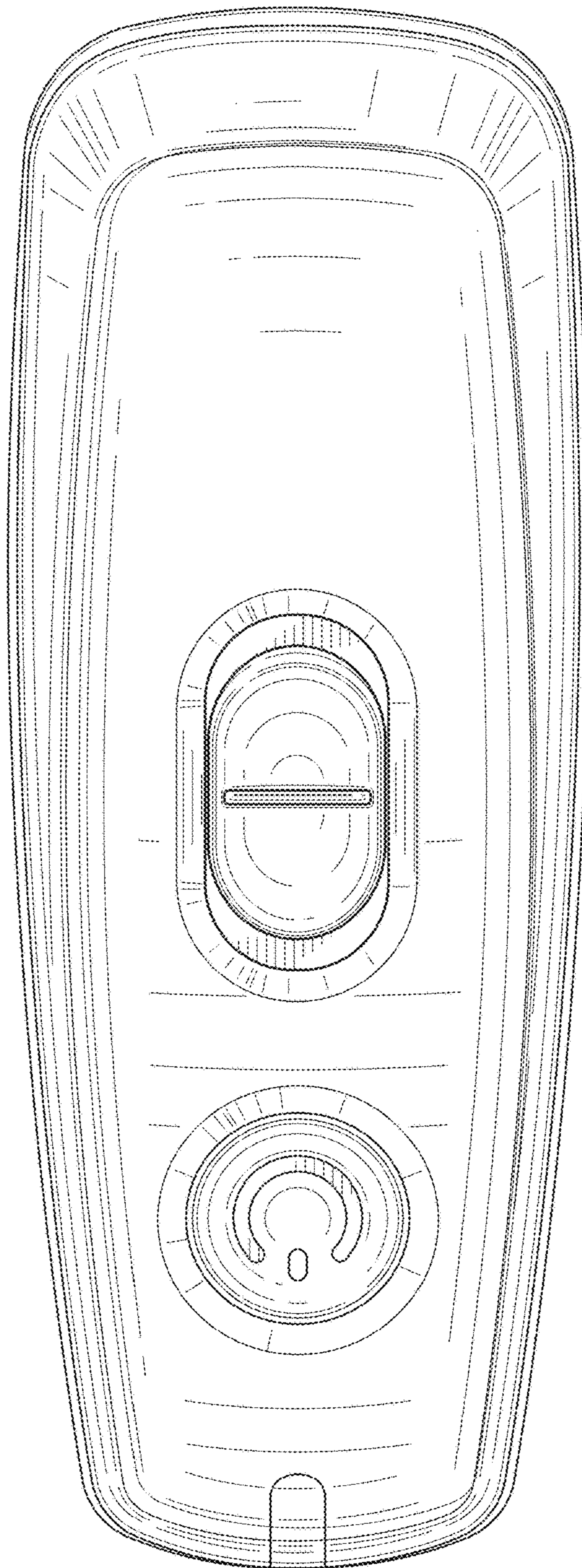


FIG. 3

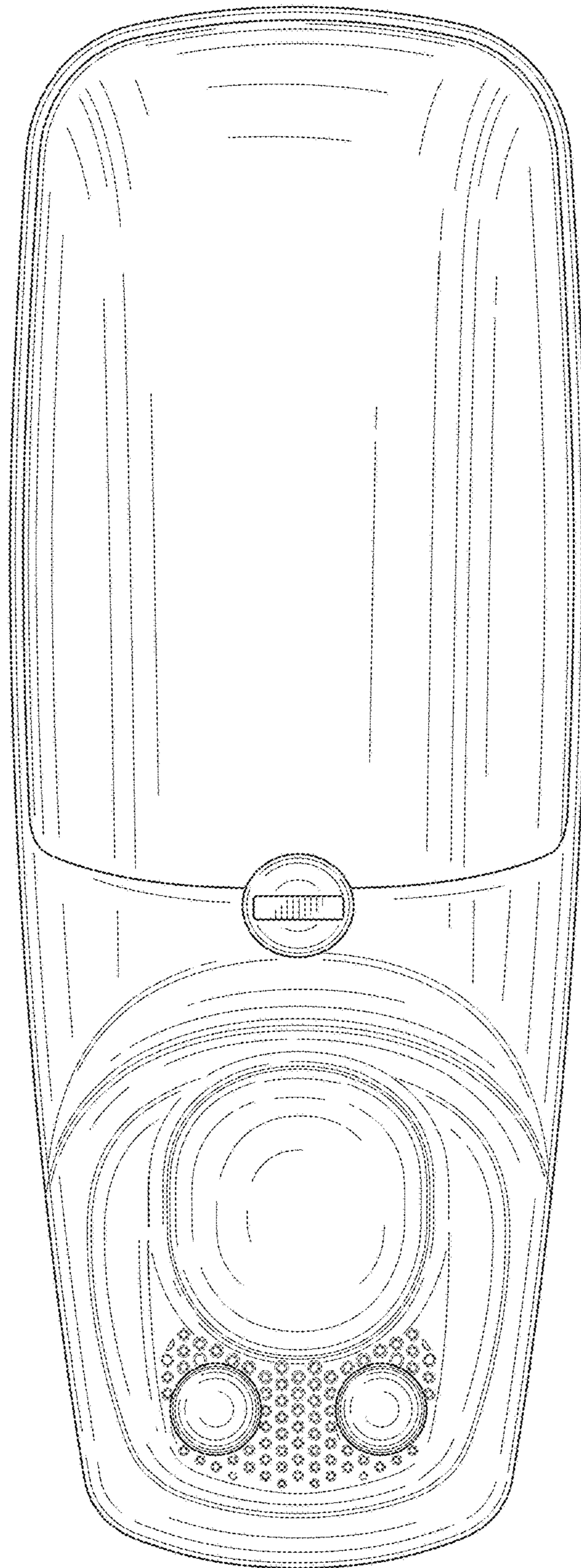


FIG. 4

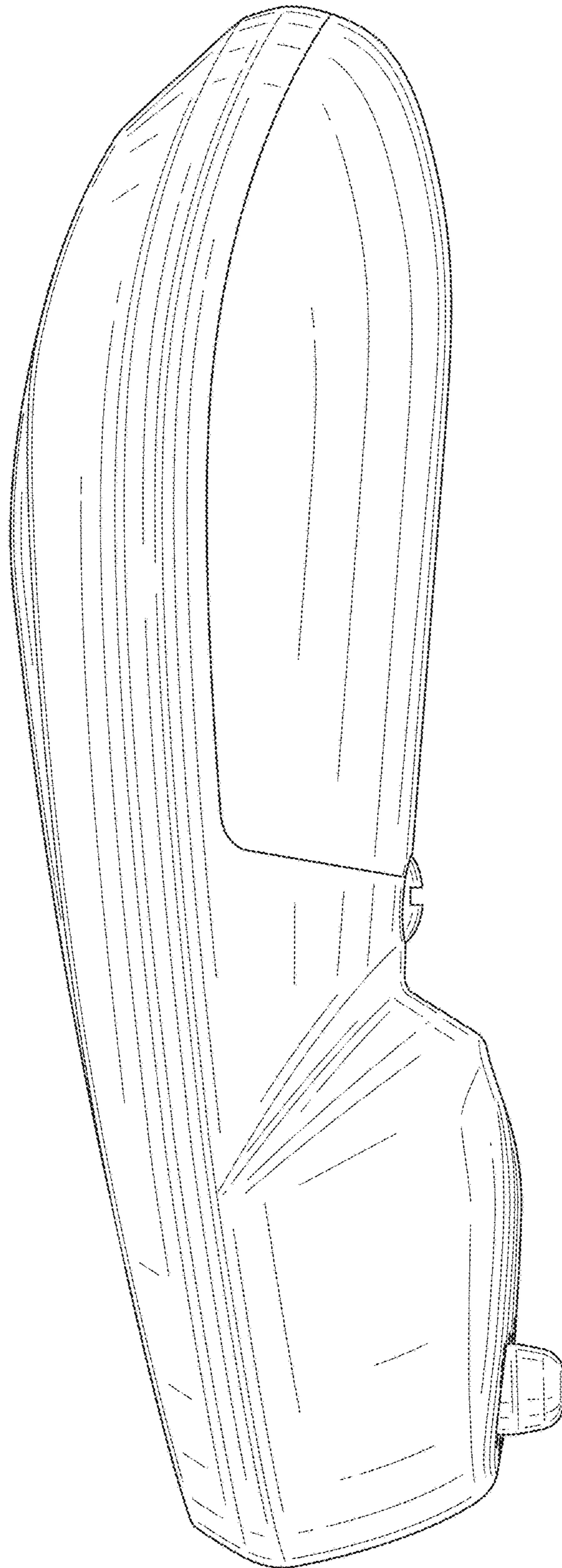


FIG. 5

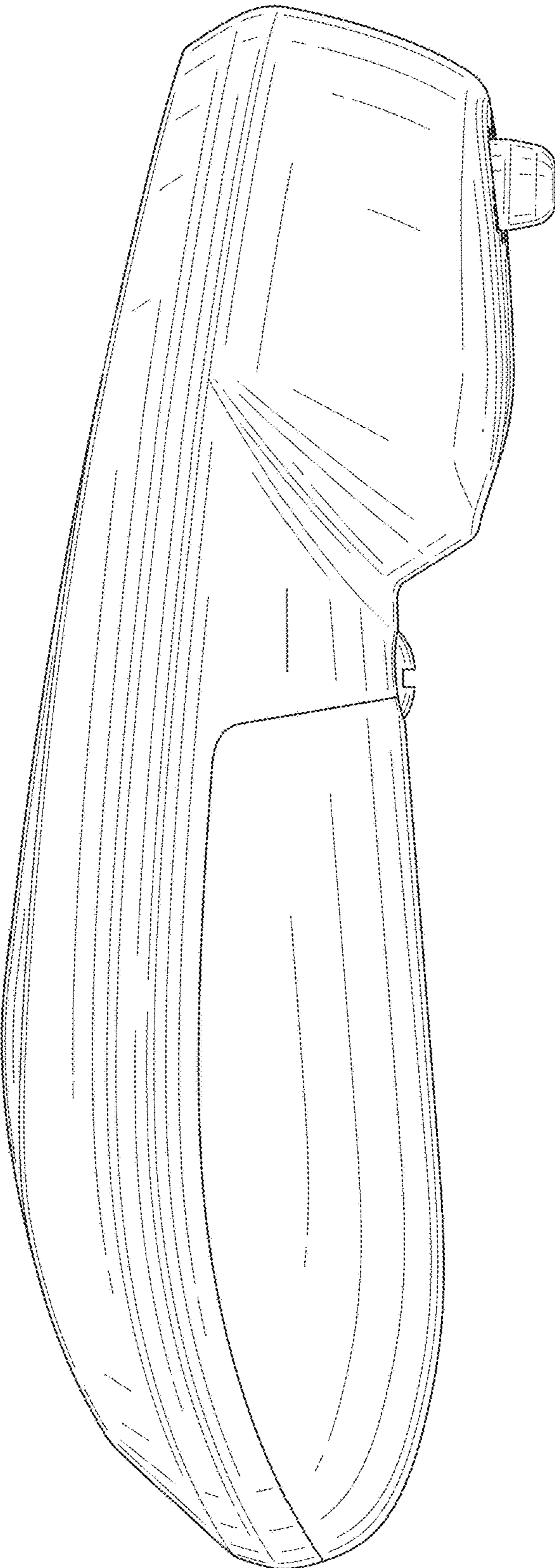


FIG. 6

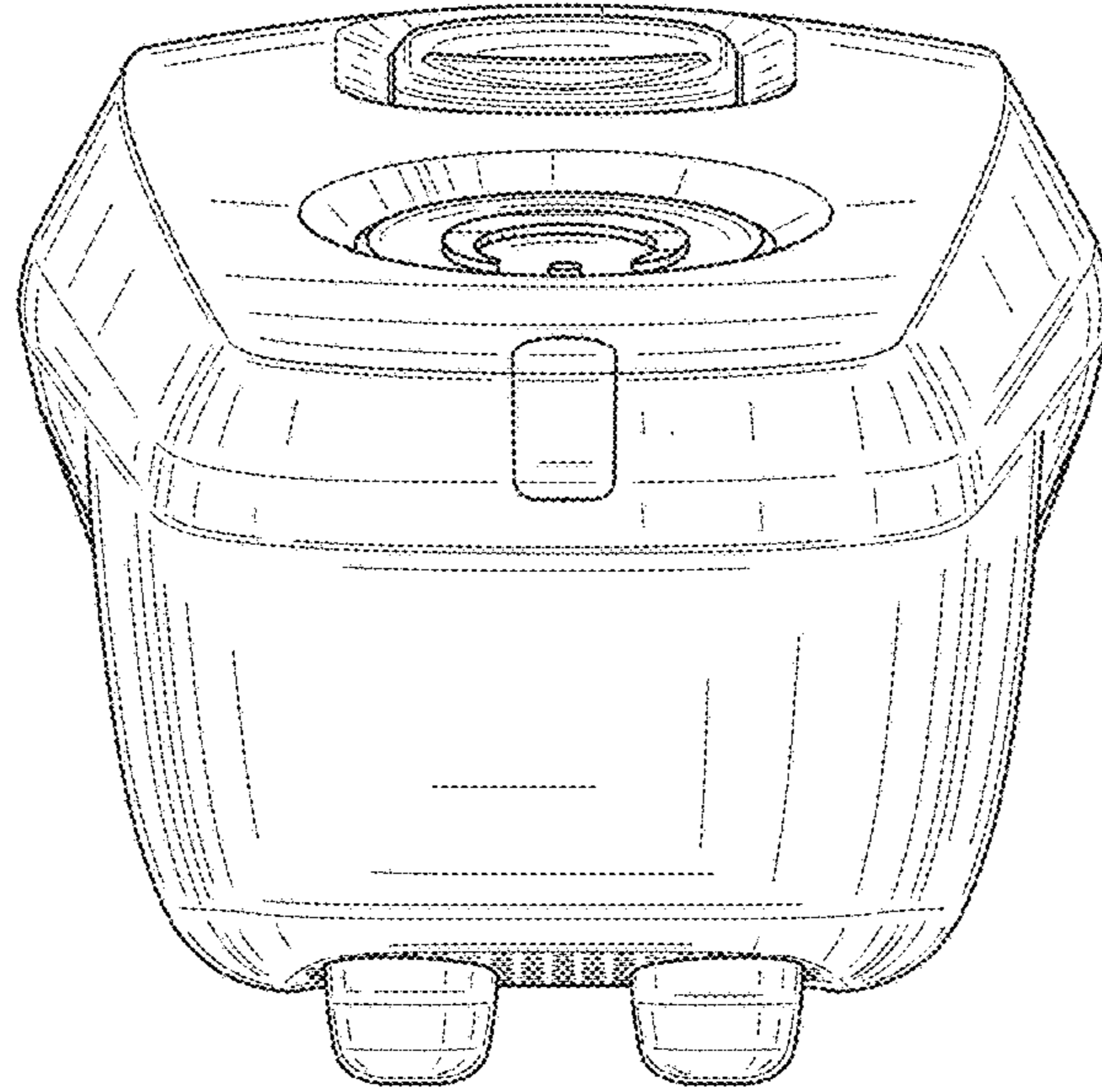


FIG. 7

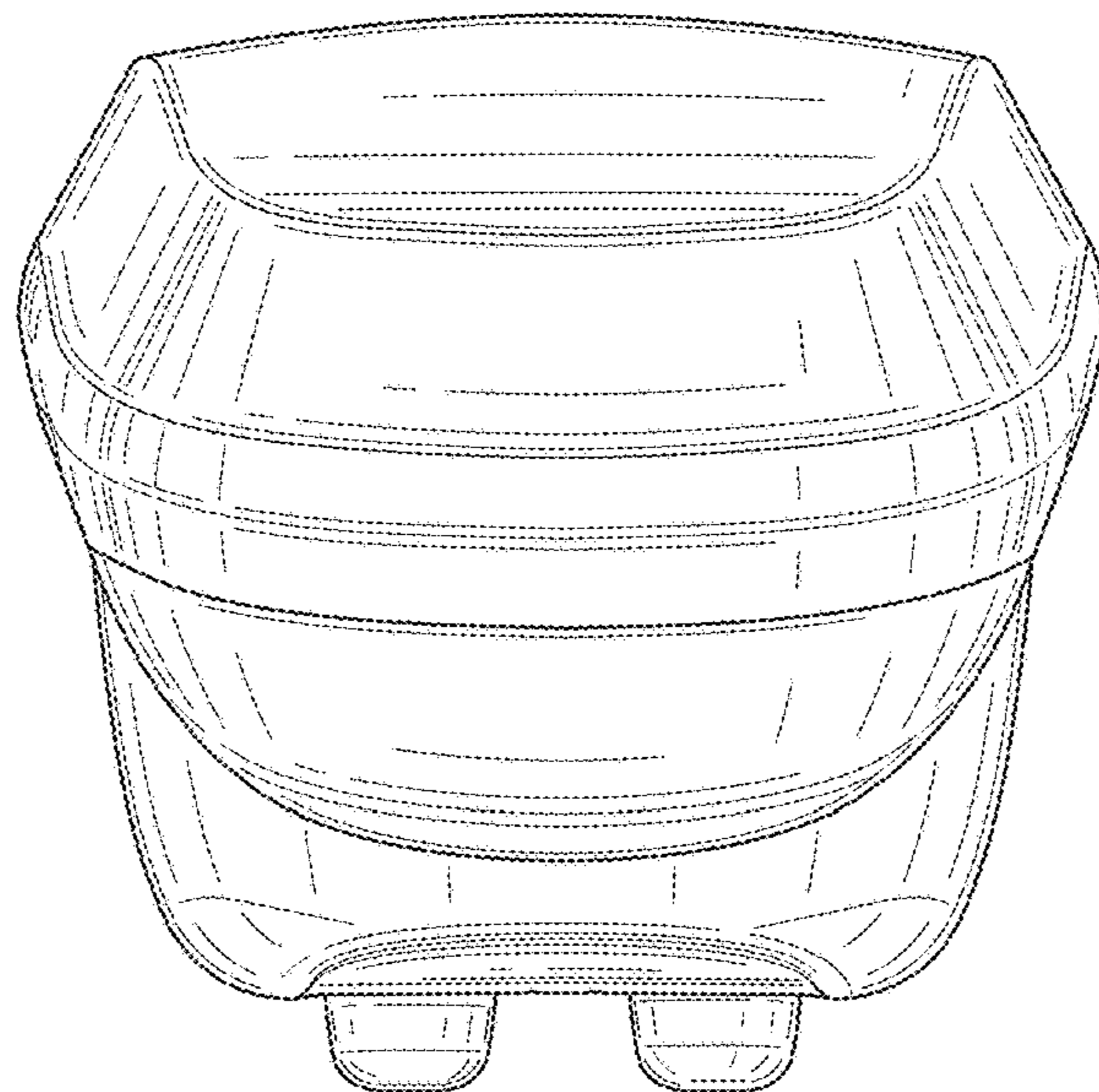


FIG. 8

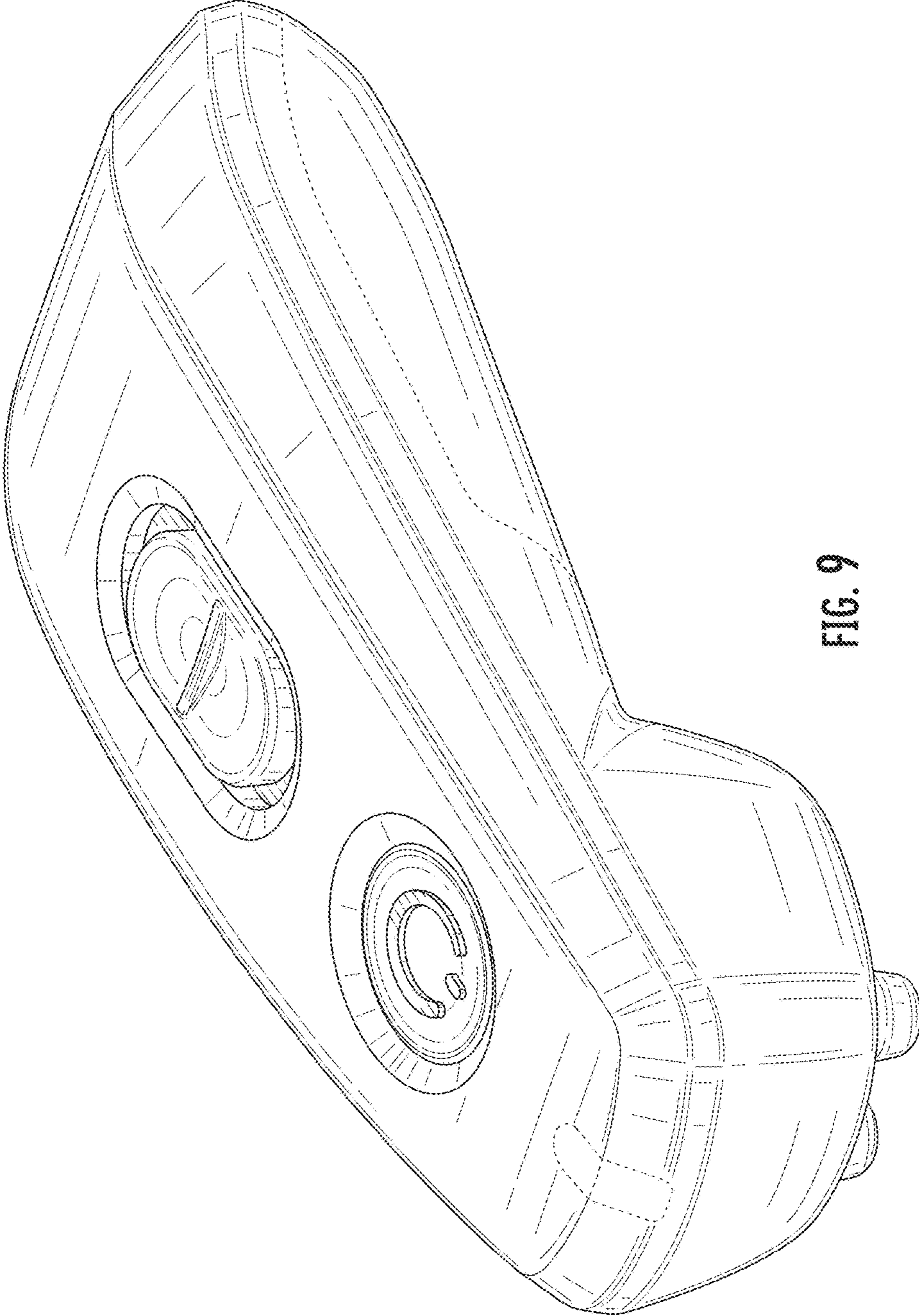


FIG. 9

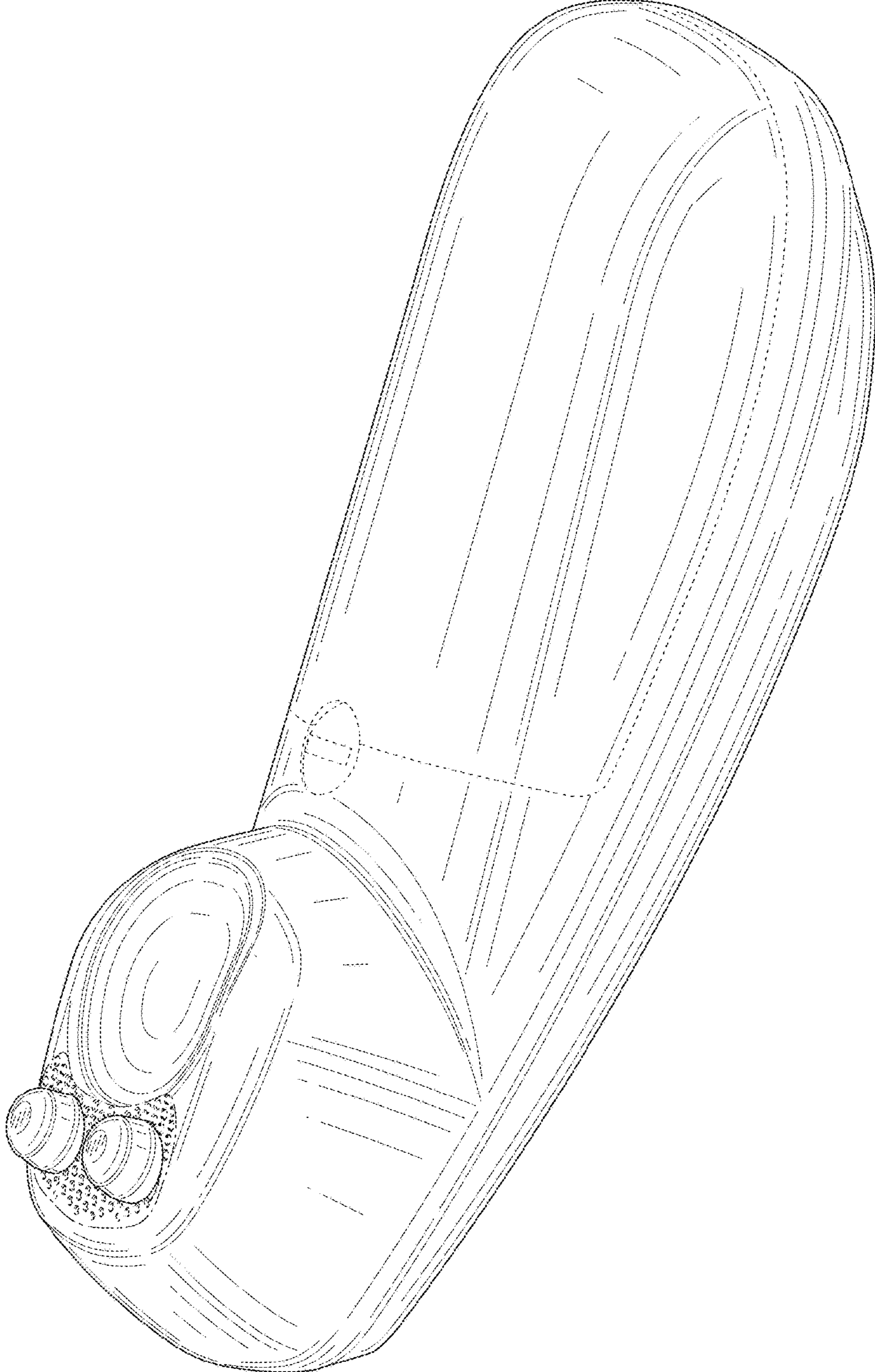


FIG. 10

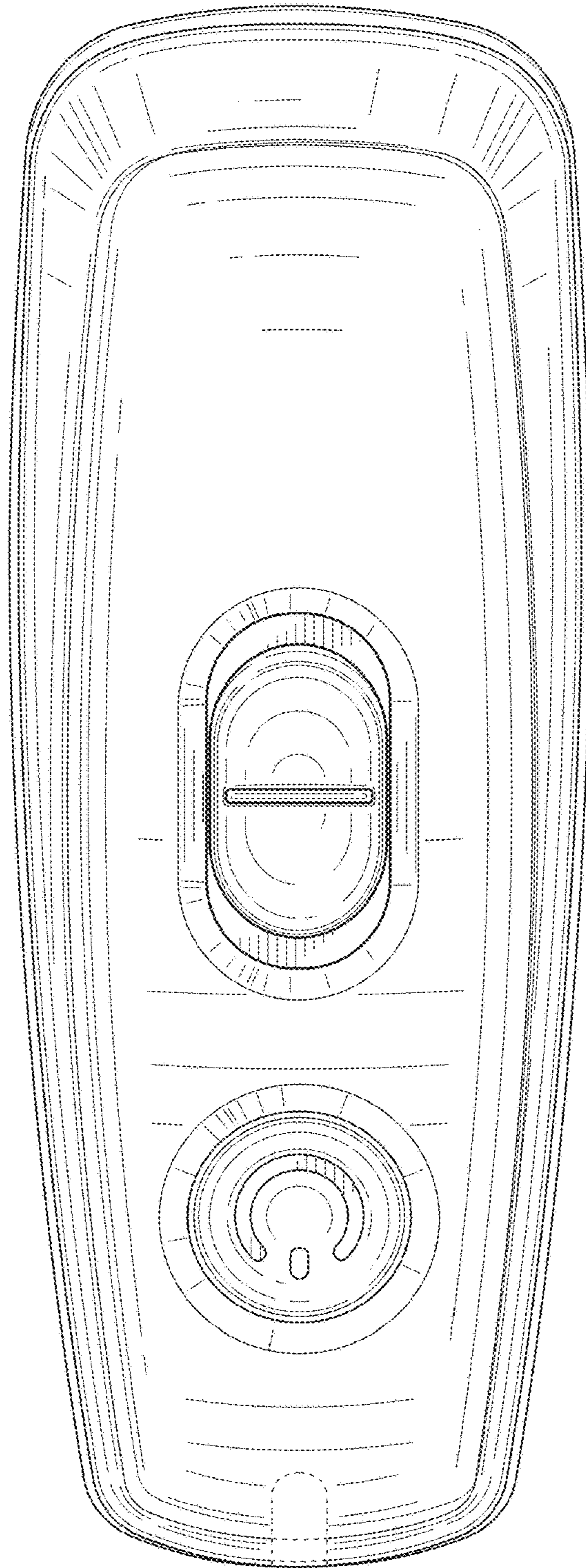


FIG. 11

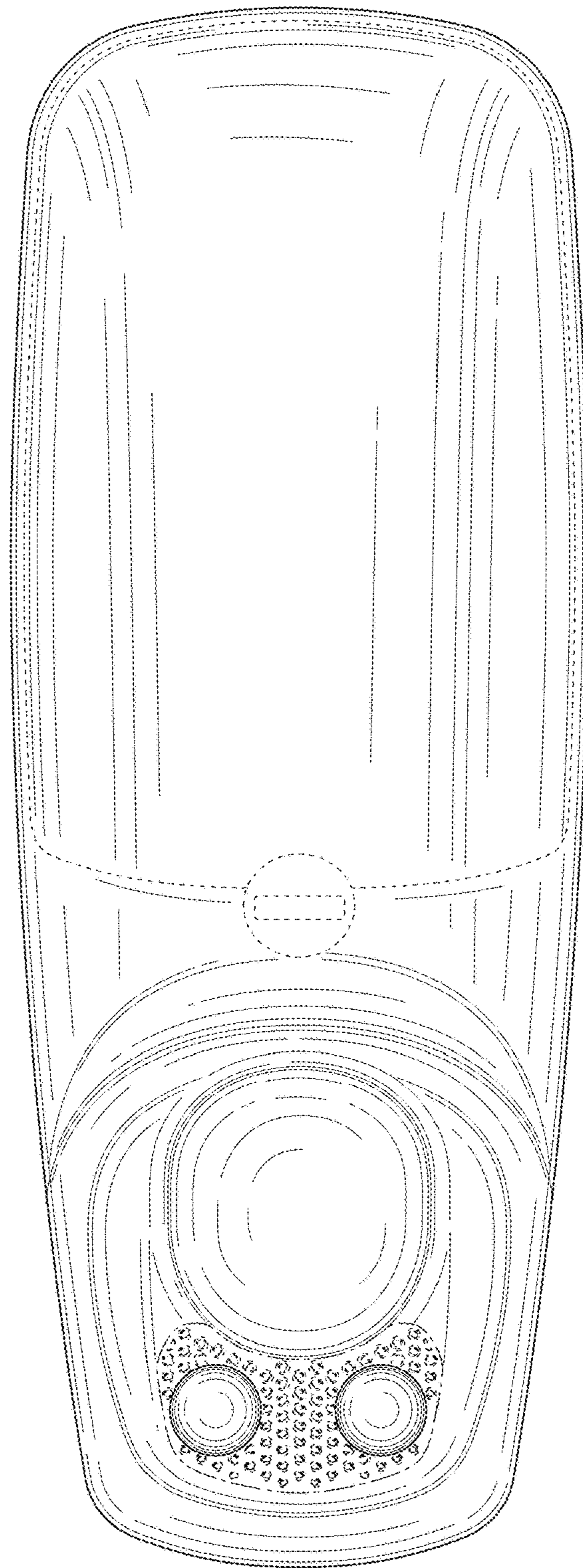


FIG. 12

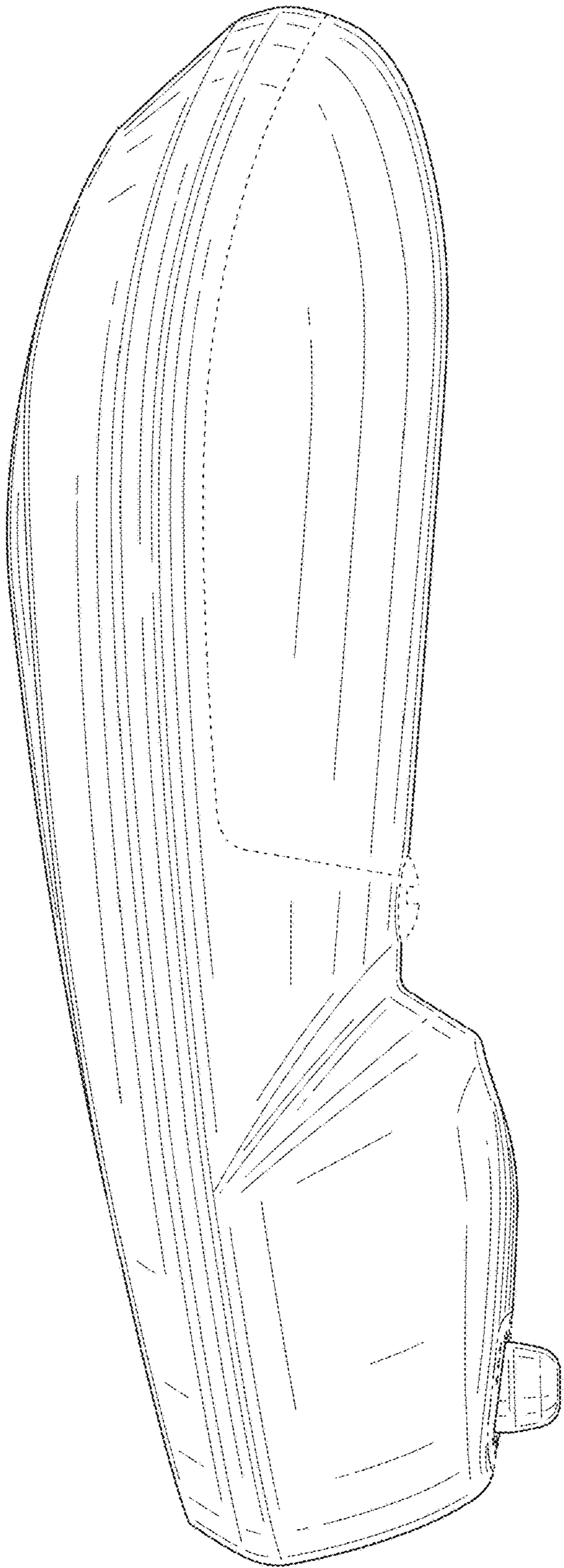


FIG. 13

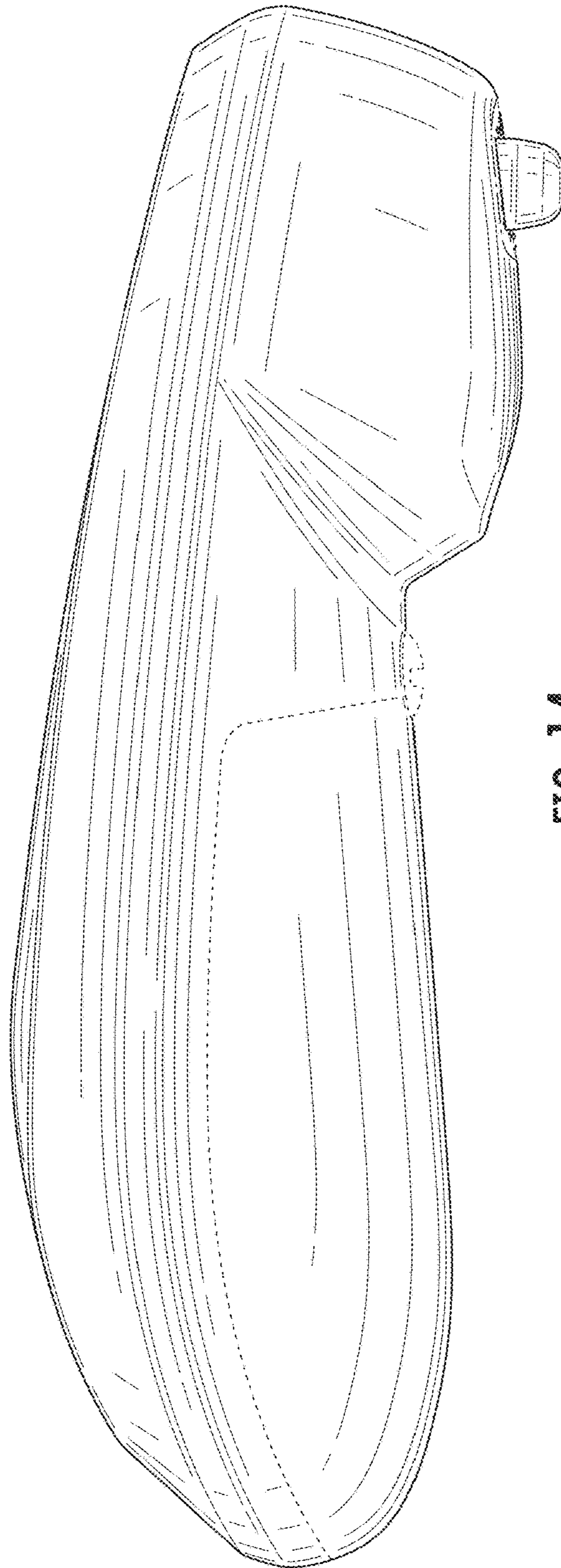


FIG. 14

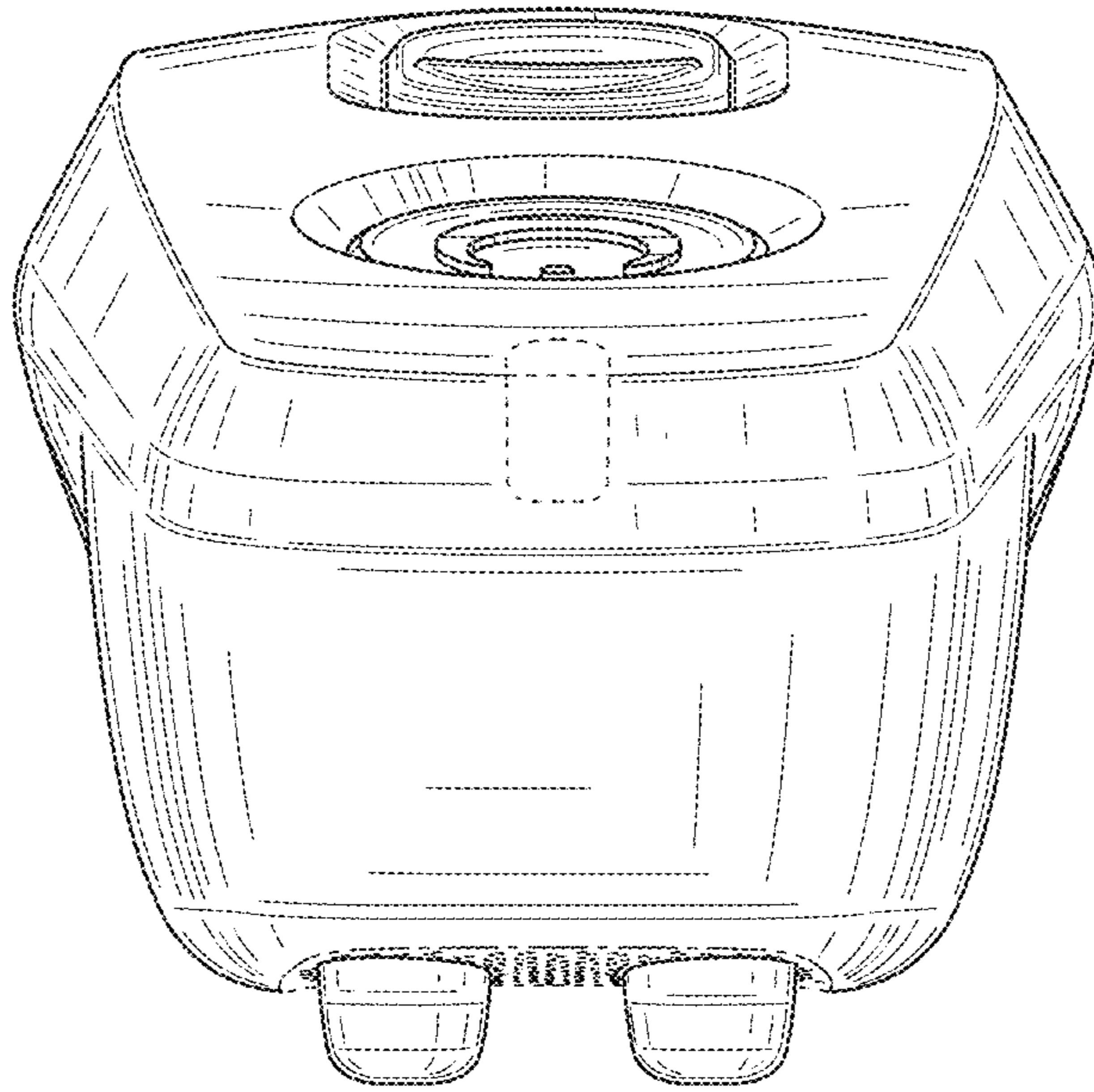


FIG. 15

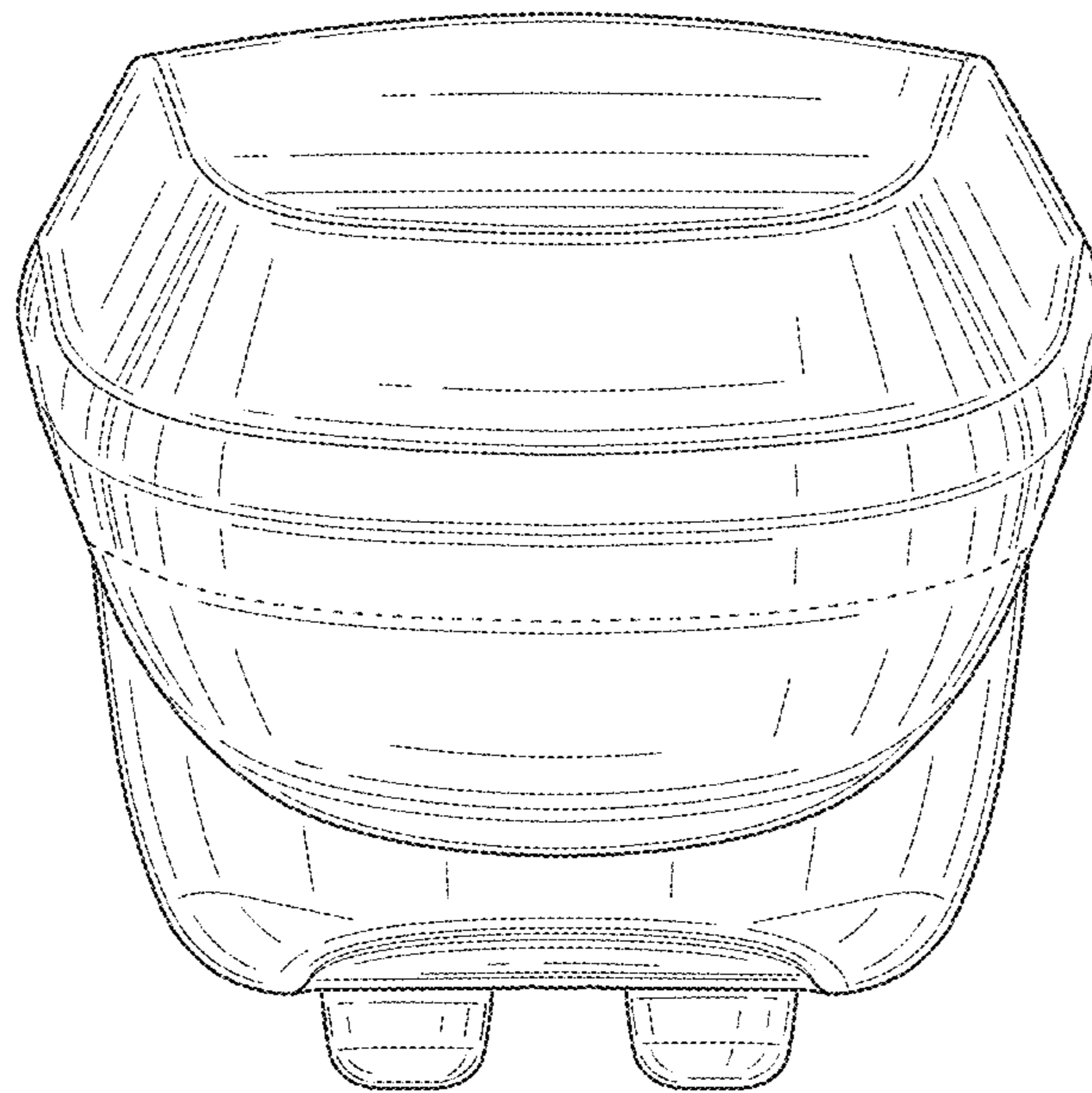


FIG. 16