



US00D863570S

(12) **United States Design Patent**
Luntz et al.

(10) **Patent No.:** **US D863,570 S**

(45) **Date of Patent:** **** Oct. 15, 2019**

- (54) **TEETHER**
- (71) Applicants: **Dean Luntz**, Boca Raton, FL (US);
Jessica Luntz, Boca Raton, FL (US)
- (72) Inventors: **Dean Luntz**, Boca Raton, FL (US);
Jessica Luntz, Boca Raton, FL (US)

| | | | |
|----------------|---------|-----------------|-----------------------|
| D276,705 S * | 12/1984 | Oliveri | D10/40 |
| D331,783 S * | 12/1992 | Rodriguez | D24/194 |
| D608,826 S * | 1/2010 | Laguatan | D19/182 |
| D628,301 S * | 11/2010 | Olshansky | D24/194 |
| D651,863 S * | 1/2012 | Ehrenhaus | D7/628 |
| D692,717 S * | 11/2013 | Lai | D7/354 |
| 8,651,308 B1 * | 2/2014 | Sung | A45D 40/00 206/457 |
| D775,426 S * | 12/2016 | Huff | D28/87 |
| D787,842 S * | 5/2017 | Lenton | D6/334 |
| D797,829 S * | 9/2017 | Lv | D14/154 |
| D817,505 S * | 5/2018 | Luntz | D24/195 |

- (73) Assignee: **BABBALA LLC**, Boca Raton, FL (US)
- (**) Term: **15 Years**

* cited by examiner

(21) Appl. No.: **29/683,268**

(22) Filed: **Mar. 12, 2019**

Related U.S. Application Data

(60) Division of application No. 29/614,925, filed on Aug. 24, 2017, which is a continuation-in-part of application No. 29/574,220, filed on Aug. 12, 2016, now Pat. No. Des. 817,505.

(51) **LOC (12) Cl.** **24-04**

(52) **U.S. Cl.**
USPC **D24/195**

(58) **Field of Classification Search**
USPC D24/193, 194, 195, 214; D1/101, 104,
D1/106, 113, 115, 125, 199; D21/483,
D21/490, 496, 576, 588, 603, 609, 628,
D21/650, 684; D30/160; 606/235
CPC A61J 17/00; A61J 17/02
See application file for complete search history.

(56) **References Cited**

U.S. PATENT DOCUMENTS

| | | | |
|---------------|---------|---------------|-----------------------|
| 3,292,840 A * | 12/1966 | Schmidt | B65D 11/02 206/776 |
| 4,124,135 A * | 11/1978 | Weder | B65D 1/00 220/4.21 |

Primary Examiner — Kendra Leslie Hamilton
(74) *Attorney, Agent, or Firm* — Dunlap Bennett & Ludwig PLLC

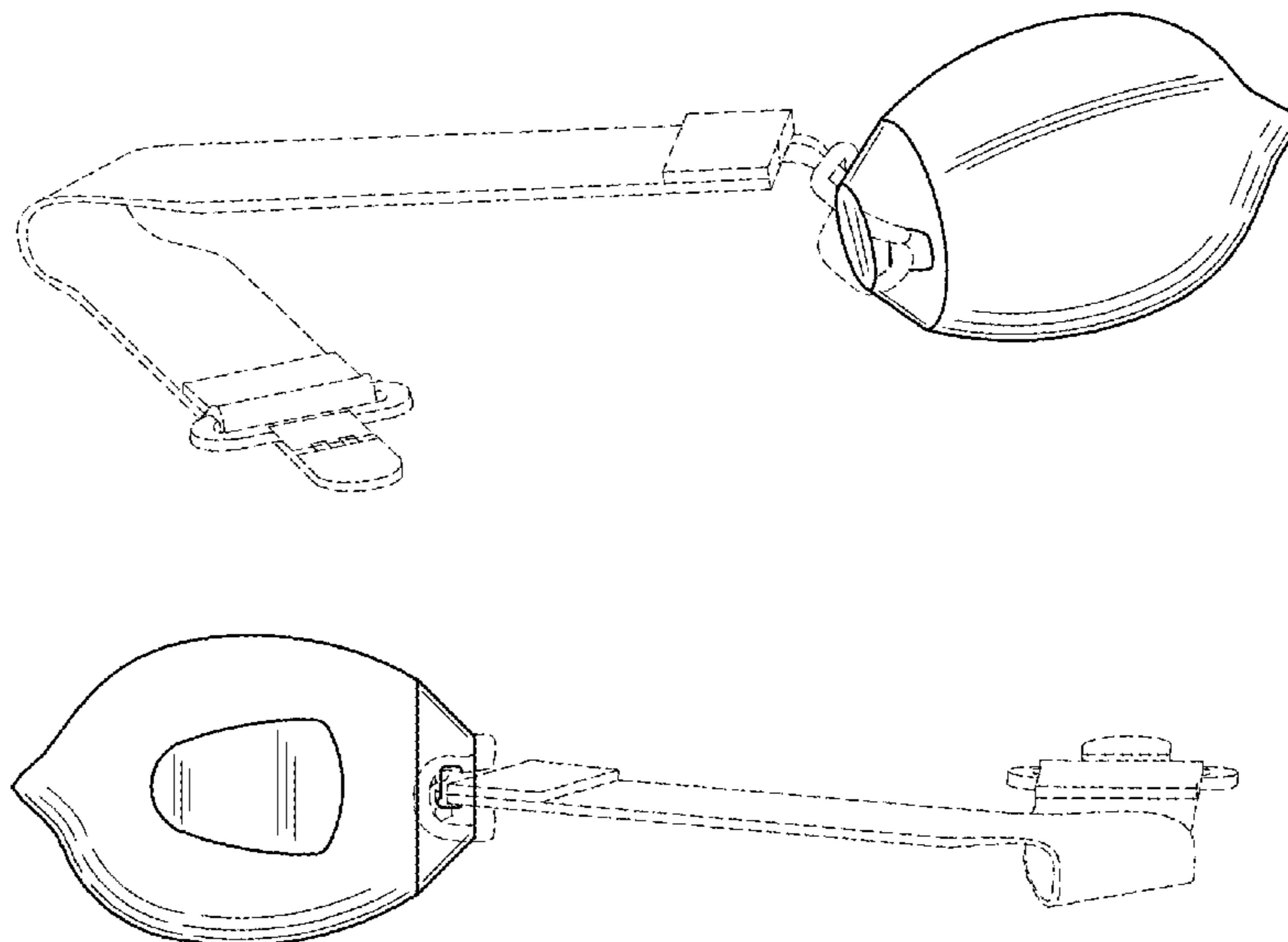
(57) **CLAIM**

The ornamental design for a teether, as shown and described.

DESCRIPTION

FIG. 1 is a perspective view of a teether;
FIG. 2 is a front elevation view thereof;
FIG. 3 is a rear elevation view thereof;
FIG. 4 is a left side elevation view thereof;
FIG. 5 is a top plan view thereof;
FIG. 6 is a right side elevation thereof; and,
FIG. 7 is a bottom plan view thereof.
The broken lines shown in the drawings illustrate portions of the teether that form no part of the claimed design.

1 Claim, 3 Drawing Sheets



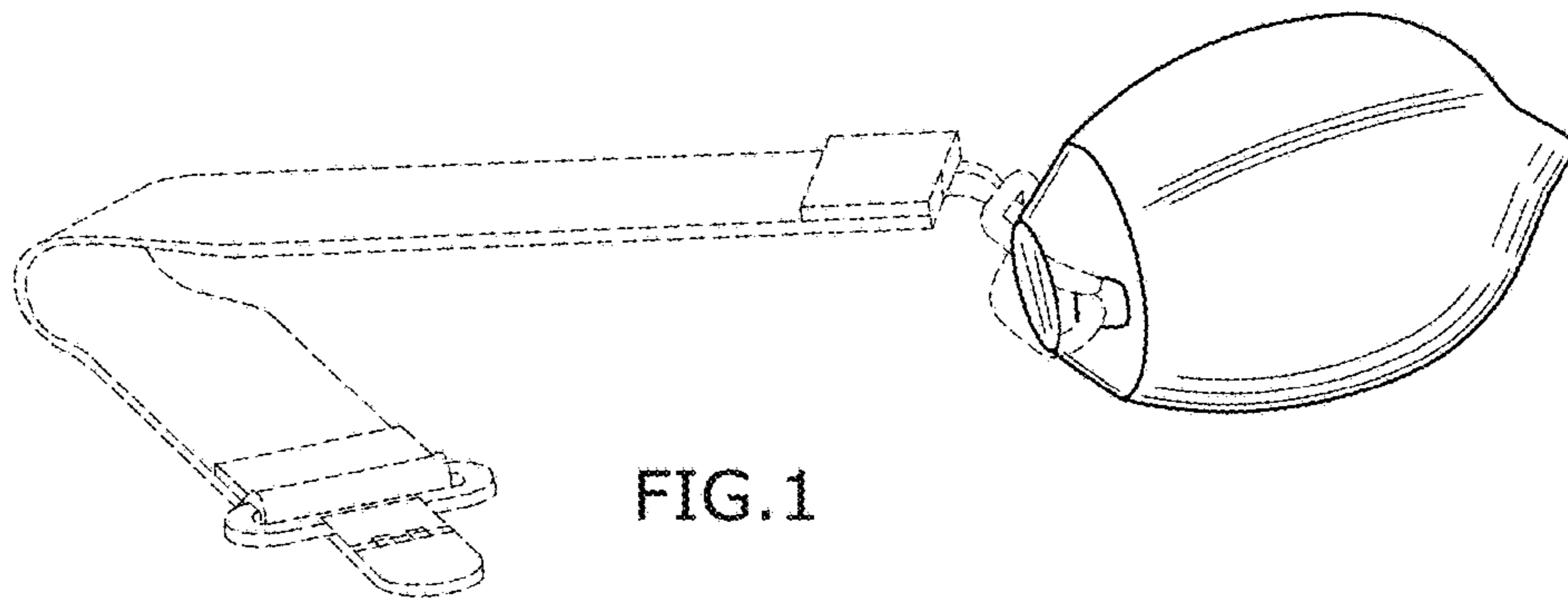


FIG. 1

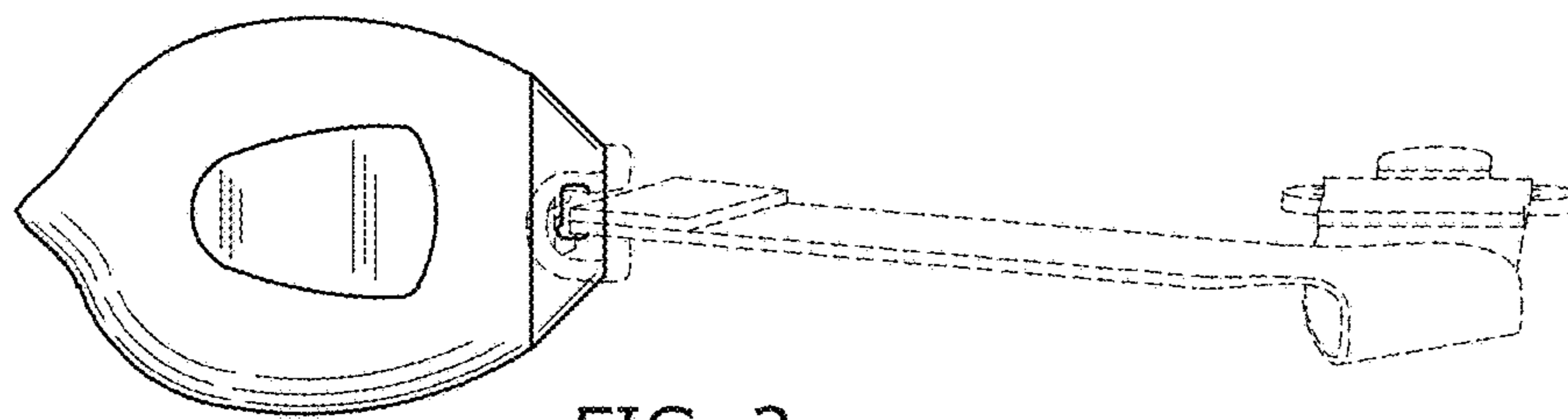


FIG. 2

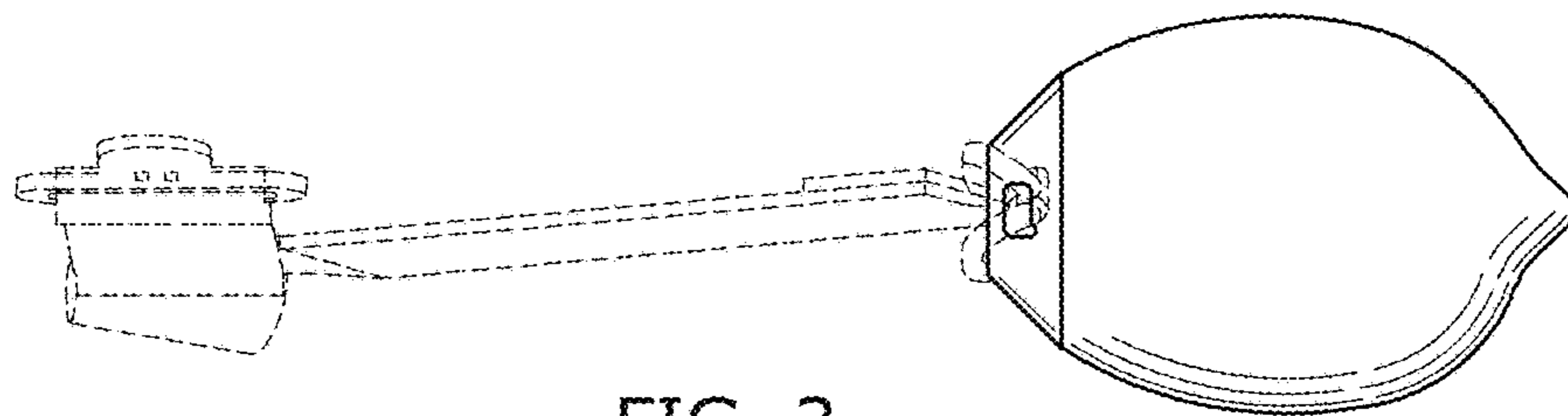
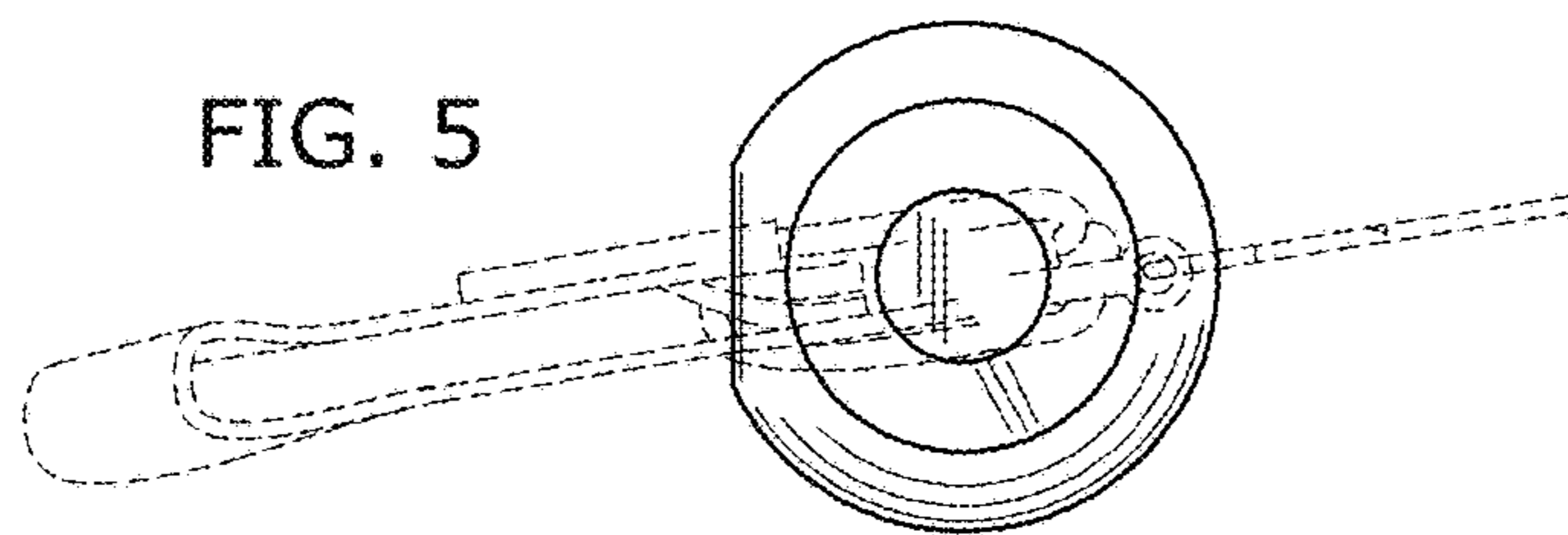
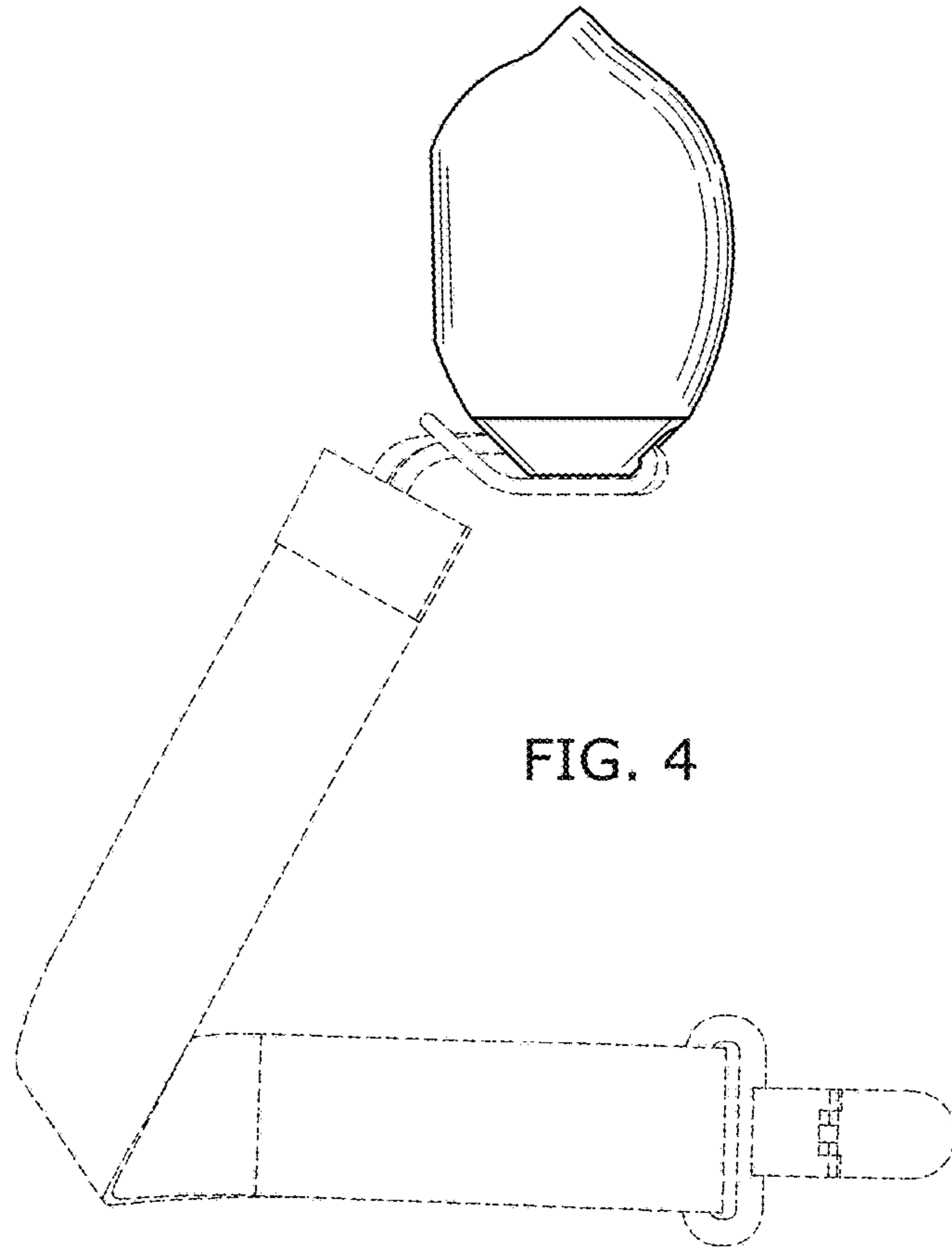


FIG. 3



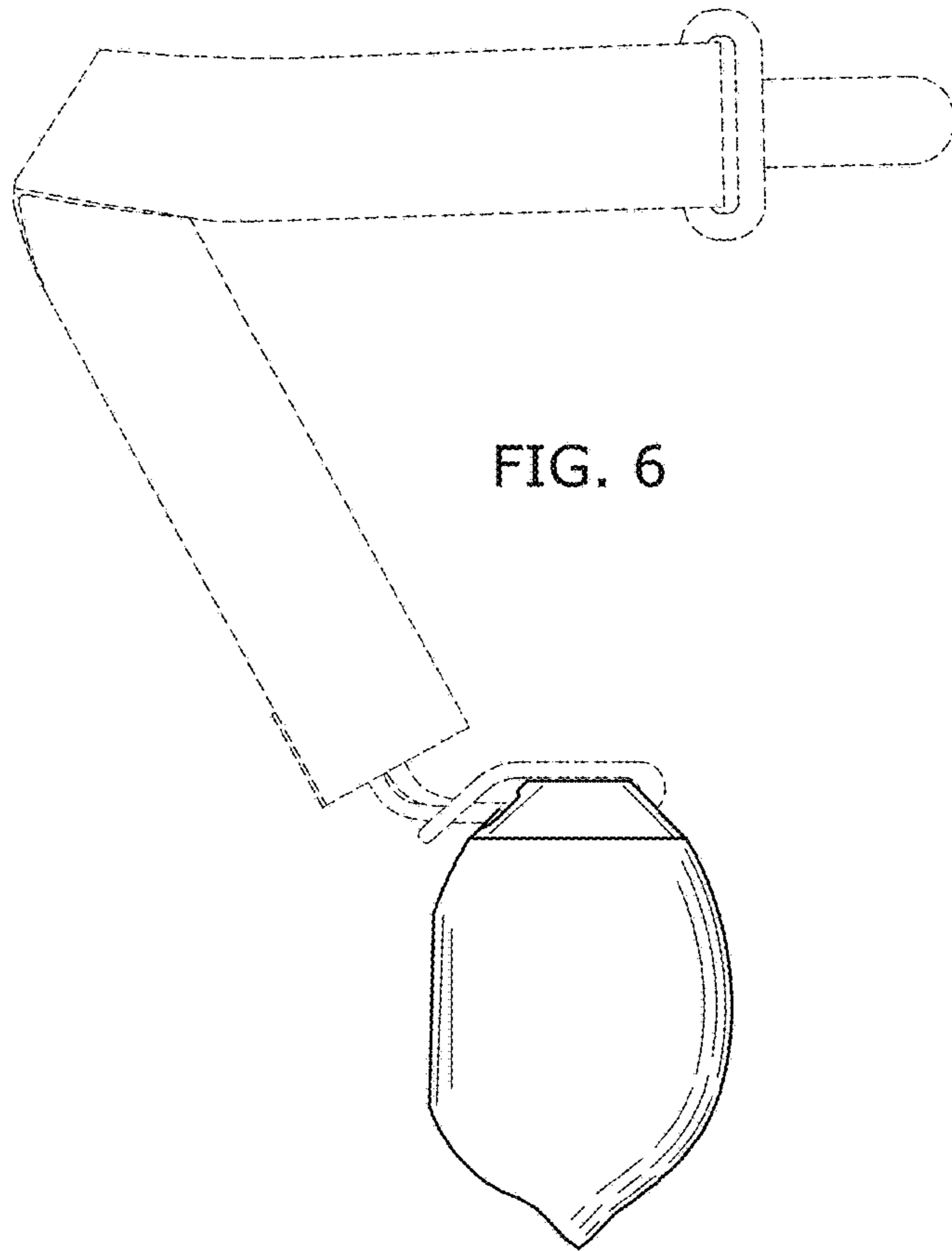


FIG. 6

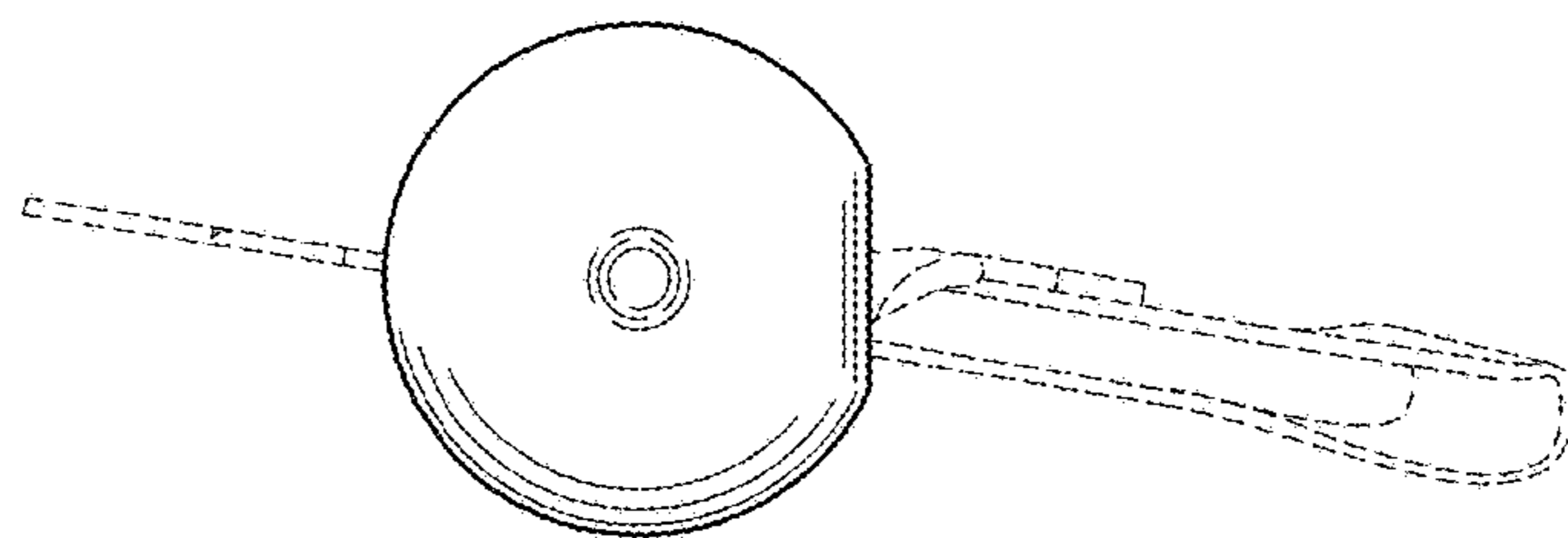


FIG. 7