



US00D863568S

(12) **United States Design Patent** (10) **Patent No.:** **US D863,568 S**
Kaal (45) **Date of Patent:** **** Oct. 15, 2019**

(54) **KNEE PROTECTOR**

(71) Applicant: **FENTO KNEE PROTECTION B.V.,**
Tijnje (NL)

(72) Inventor: **Gerardus Bernardus Kaal, Tijnje (NL)**

(73) Assignee: **Fento Knee Protection B.V. (NL)**

(**) Term: **15 Years**

(21) Appl. No.: **35/505,229**

(22) Filed: **Feb. 9, 2018**

(80) **Hague Agreement Data**

Int. Filing Date: **Feb. 9, 2018**

Int. Reg. No.: **DM/101762**

Int. Reg. Date: **Feb. 9, 2018**

Int. Reg. Pub. Date: **Jul. 6, 2018**

(51) **LOC (12) Cl.** **24-02**

(52) **U.S. Cl.**
USPC **D24/190**

(58) **Field of Classification Search**

USPC D24/190, 122, 121.1

CPC .. A41D 13/065; A41D 13/0568; A41D 13/00;

A41D 13/0153; A41D 13/0562; A41D

13/0587; A41D 13/06; A41D 2600/20;

A41D 13/015; A41D 13/0158; A41D

2300/33

See application file for complete search history.

(56) **References Cited**

U.S. PATENT DOCUMENTS

1,976,170 A * 10/1934 Hoover A47C 16/04
182/230

3,112,812 A * 12/1963 Ramon A41D 13/0568
182/230

D288,143 S * 2/1987 Scott D3/8
D353,702 S * 12/1994 Martinez D34/12
D454,231 S * 3/2002 McFarlane D29/121.1
D463,072 S * 9/2002 Munoz D29/121.1
D516,254 S * 2/2006 Shircliff D29/121.1
D559,988 S * 1/2008 Buefthorn D24/190
D602,210 S * 10/2009 Crye D29/121.1
D704,898 S * 5/2014 Kaal D29/121.1
D757,277 S * 5/2016 Chen D24/190
D763,517 S * 8/2016 Cavazos D29/121.1
D789,617 S * 6/2017 Votel D29/121.1
D837,392 S * 1/2019 Wanner D24/190
D838,054 S * 1/2019 Franson D29/121.1

* cited by examiner

Primary Examiner — Eliza Z Bennett-Hattan

(74) Attorney, Agent, or Firm — Woodard Emhardt Henry
Reeves & Wagner, LLP

(57) **CLAIM**

The ornamental design for a knee protector, as shown and
described.

DESCRIPTION

1.1 is a top perspective view of a knee protector;

1.2 is a left side view thereof;

1.3 is a front view thereof;

1.4 is a back view thereof;

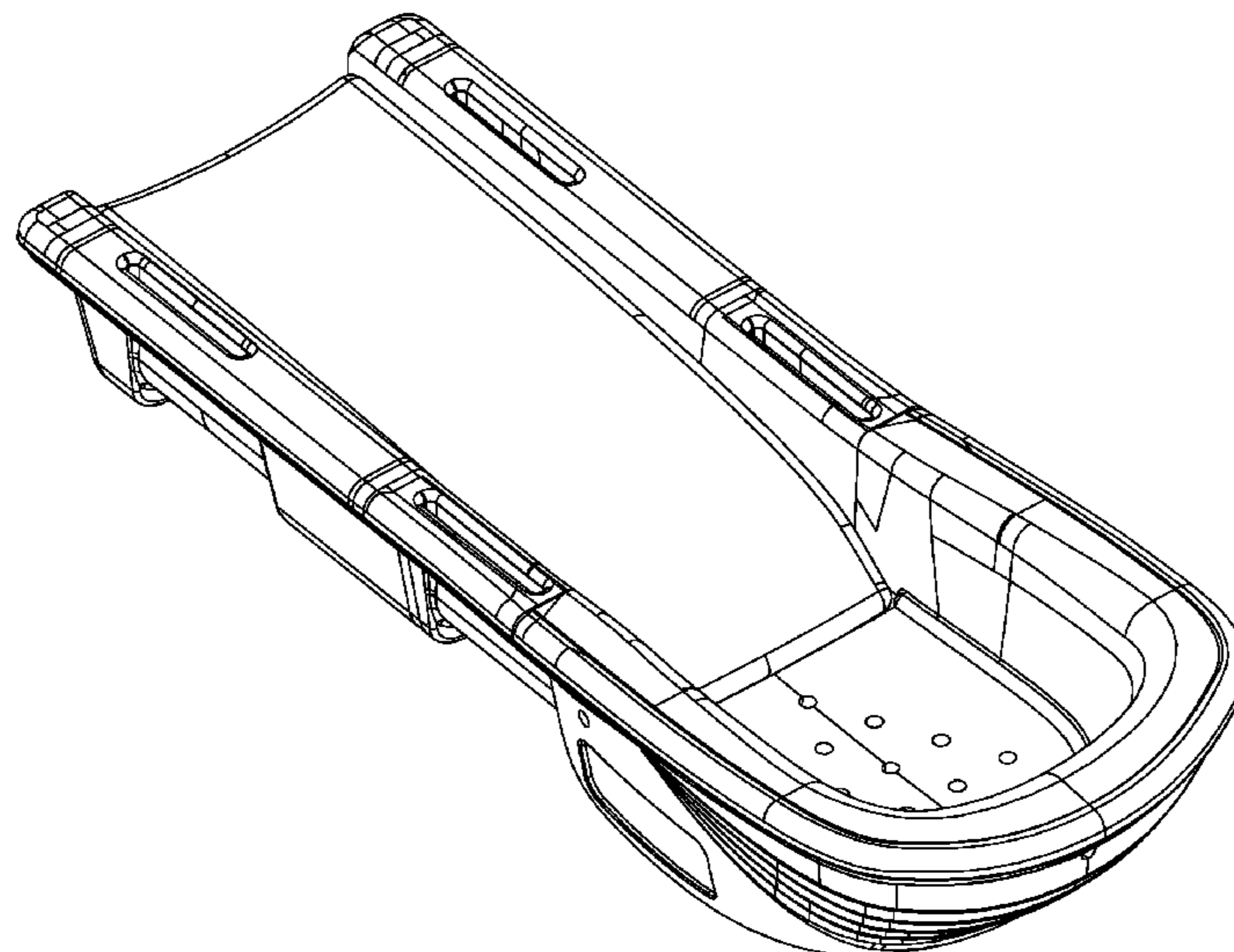
1.5 is a top view thereof;

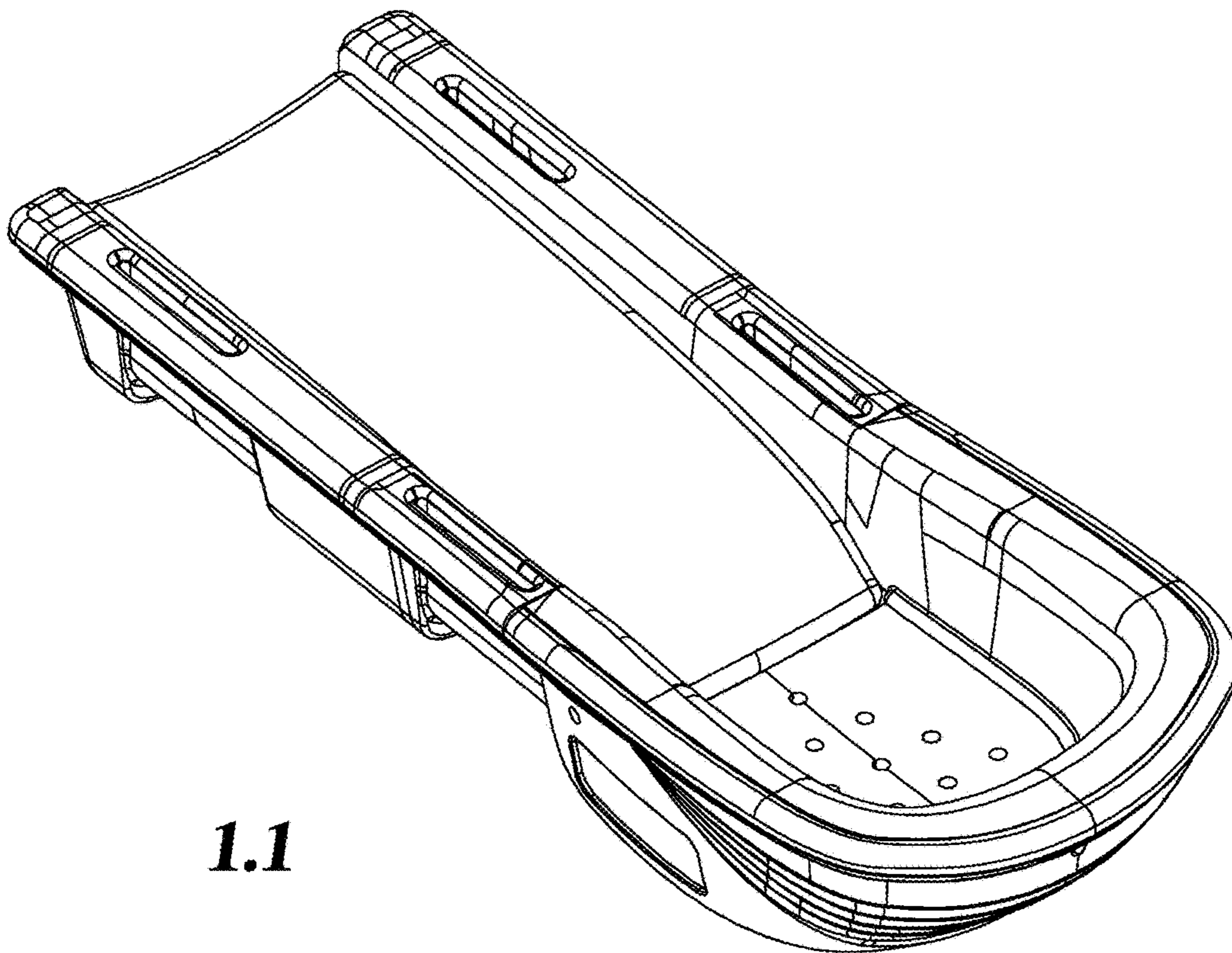
1.6 is a bottom view thereof; and,

1.7 is a cross section view taken thereof along line **1.7-1.7**
of FIG. **1.5**.

Portions of the knee protector shown in broken lines form no
part of the claimed design.

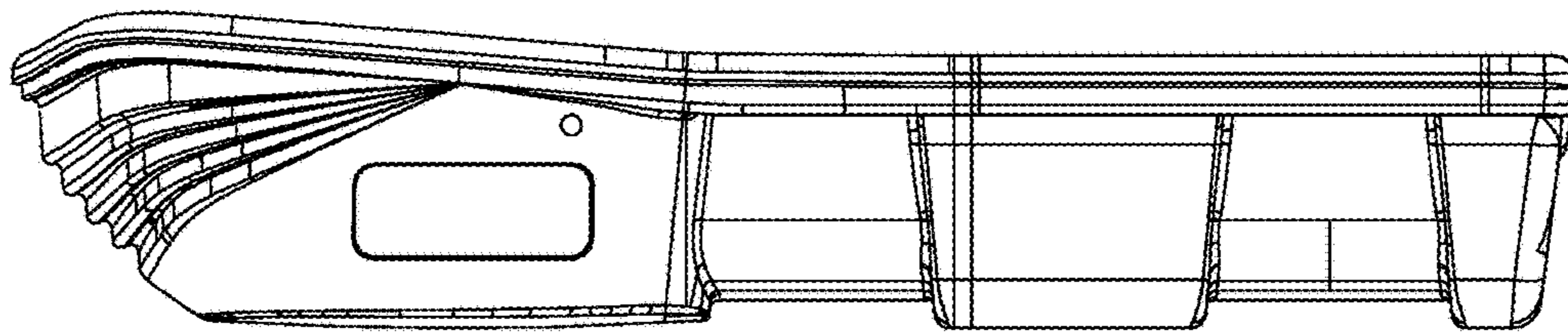
1 Claim, 7 Drawing Sheets



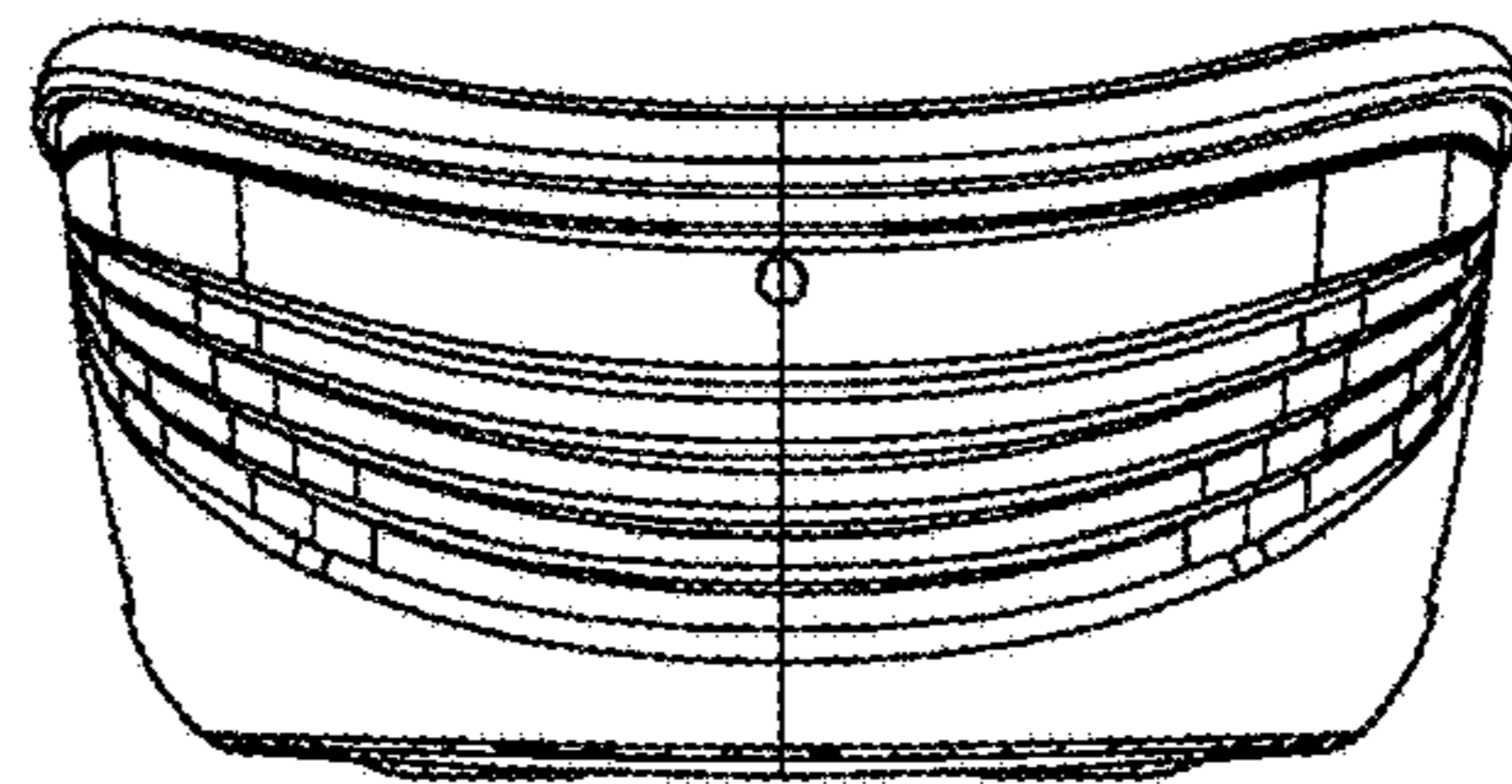


1.1

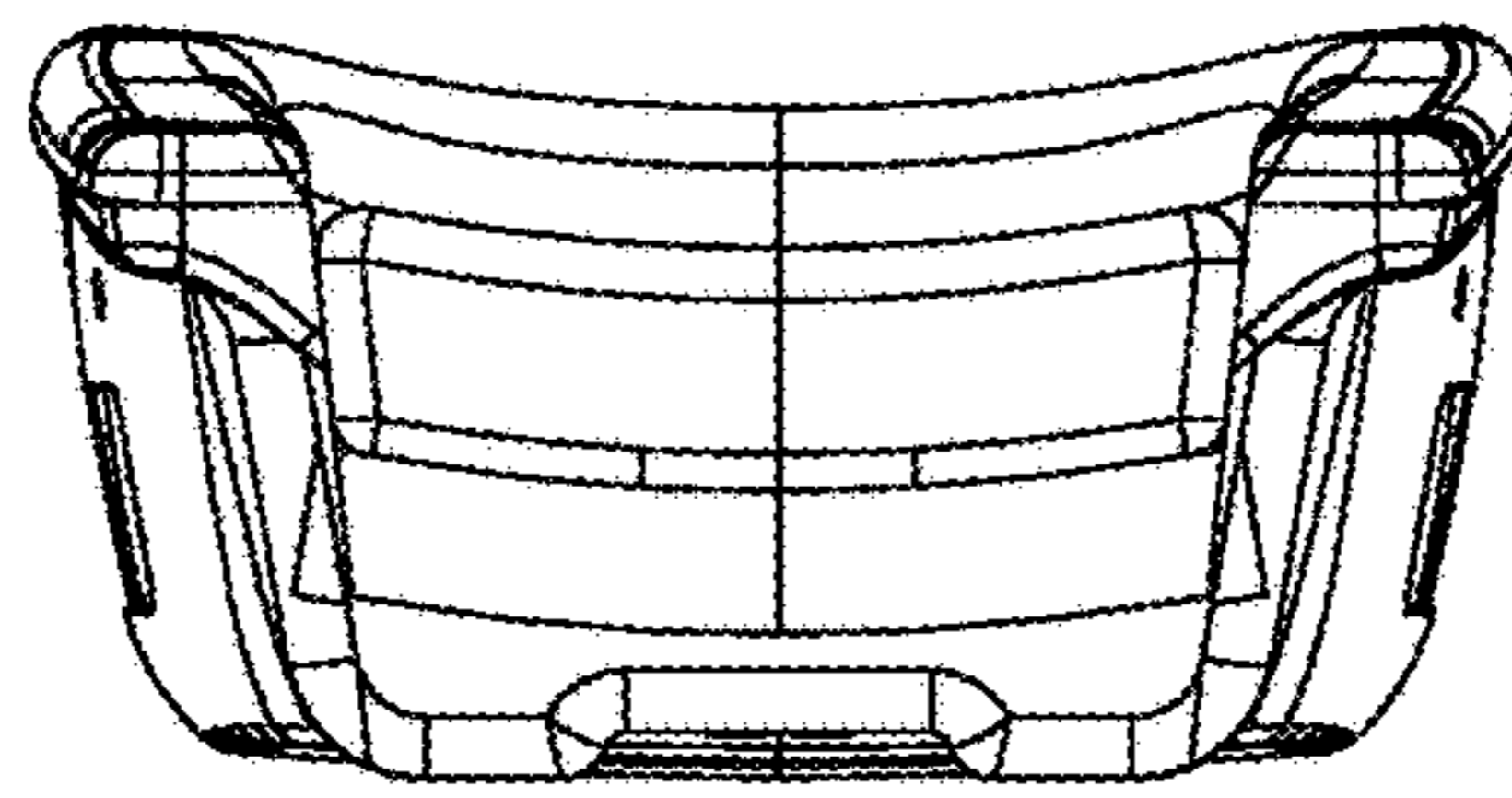
1.2



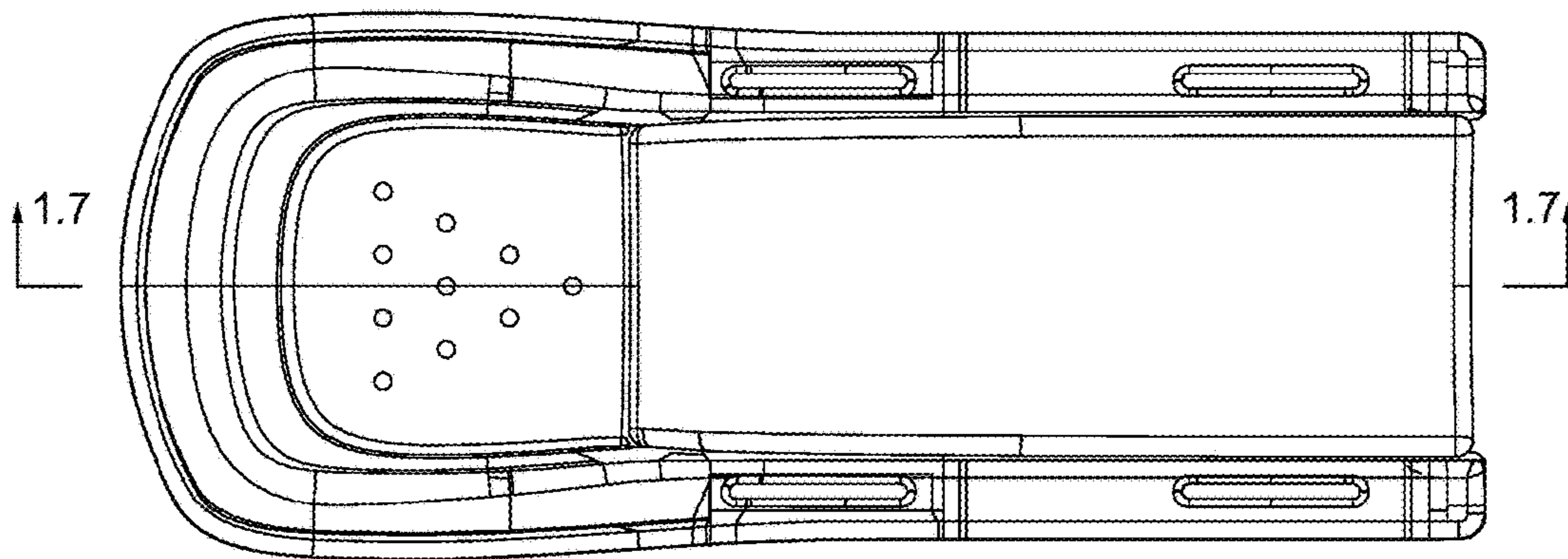
1.3



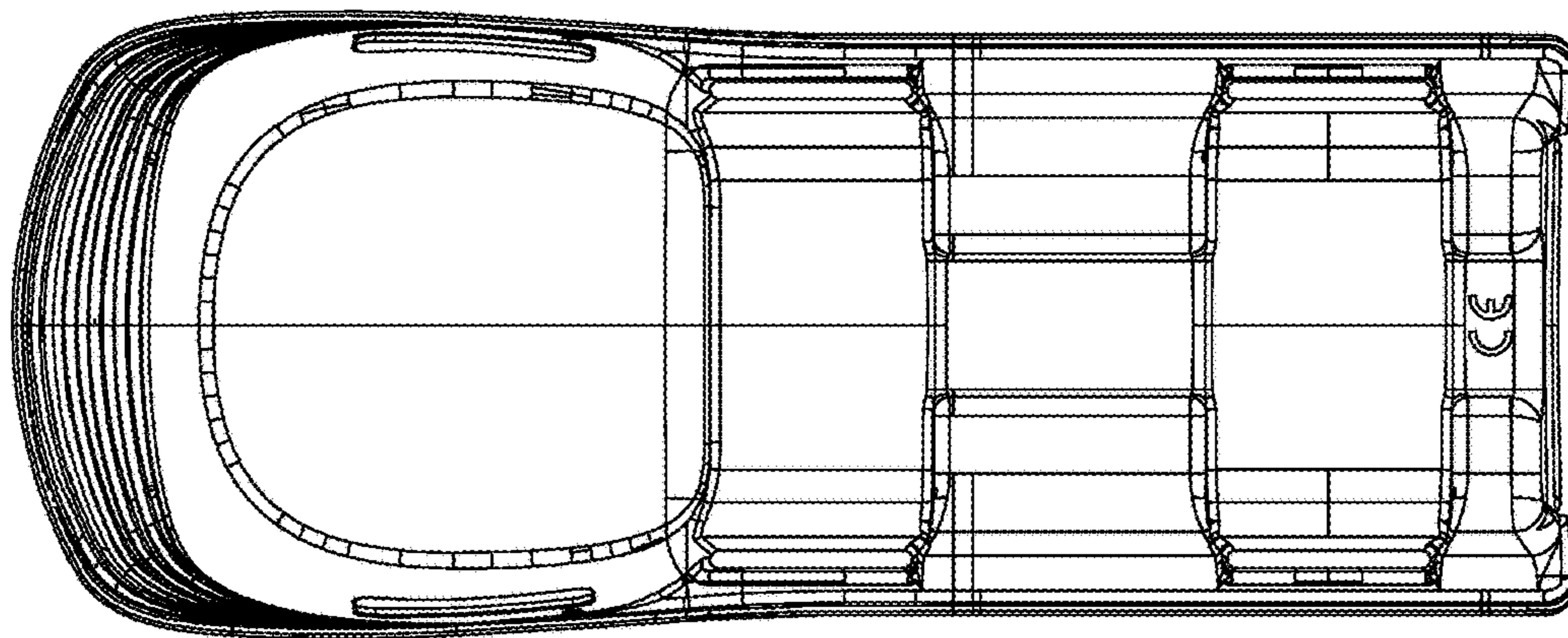
1.4



1.5



1.6



1.7

