



US00D863564S

(12) **United States Design Patent**  
**Herder et al.**

(10) **Patent No.:** **US D863,564 S**  
(45) **Date of Patent:** **\*\* Oct. 15, 2019**

- (54) **STRAPPED BANDAGE**
- (71) Applicant: **Dru-Kare LLC**, Cottage Grove, MN (US)
- (72) Inventors: **Karin M. Herder**, Cottage Grove, MN (US); **Drew J. Sanders**, Cottage Grove, MN (US)
- (73) Assignee: **Dru-Kare LLC**, Cottage Grove, MN (US)
- (\*\*) Term: **15 Years**
- (21) Appl. No.: **29/626,965**
- (22) Filed: **Nov. 21, 2017**
- (51) **LOC (12) Cl.** ..... **24-04**
- (52) **U.S. Cl.**  
USPC ..... **D24/189**
- (58) **Field of Classification Search**  
USPC ..... D24/188, 189, 191, 192, 206; D28/27, D28/39, 42, 75  
CPC ..... A61F 13/00085; A61F 13/00042; A61F 13/00063; A61F 7/08; A61F 2013/00187  
See application file for complete search history.

D667,167 S *	9/2012	Stewart	.....	D28/42
D669,634 S *	10/2012	Vergona	.....	D28/42
D671,265 S *	11/2012	Stewart	.....	D28/42
D811,609 S *	2/2018	Huff	.....	D24/189

**OTHER PUBLICATIONS**

Halyard. Hand-aid IV Wrist Support. No date specified. <https://products.halyardhealth.com/infection-prevention/patient-care/iv-therapy/hand-aid-iv-wrist-support.html> (Year: 0).\*

\* cited by examiner

*Primary Examiner* — George D. Kirschbaum  
*Assistant Examiner* — Darcey E Gottschalk  
(74) *Attorney, Agent, or Firm* — Barnes & Thornburg LLP; Jeffrey R. Stone

(57) **CLAIM**

The ornamental design for a strapped bandage, as shown and described.

**DESCRIPTION**

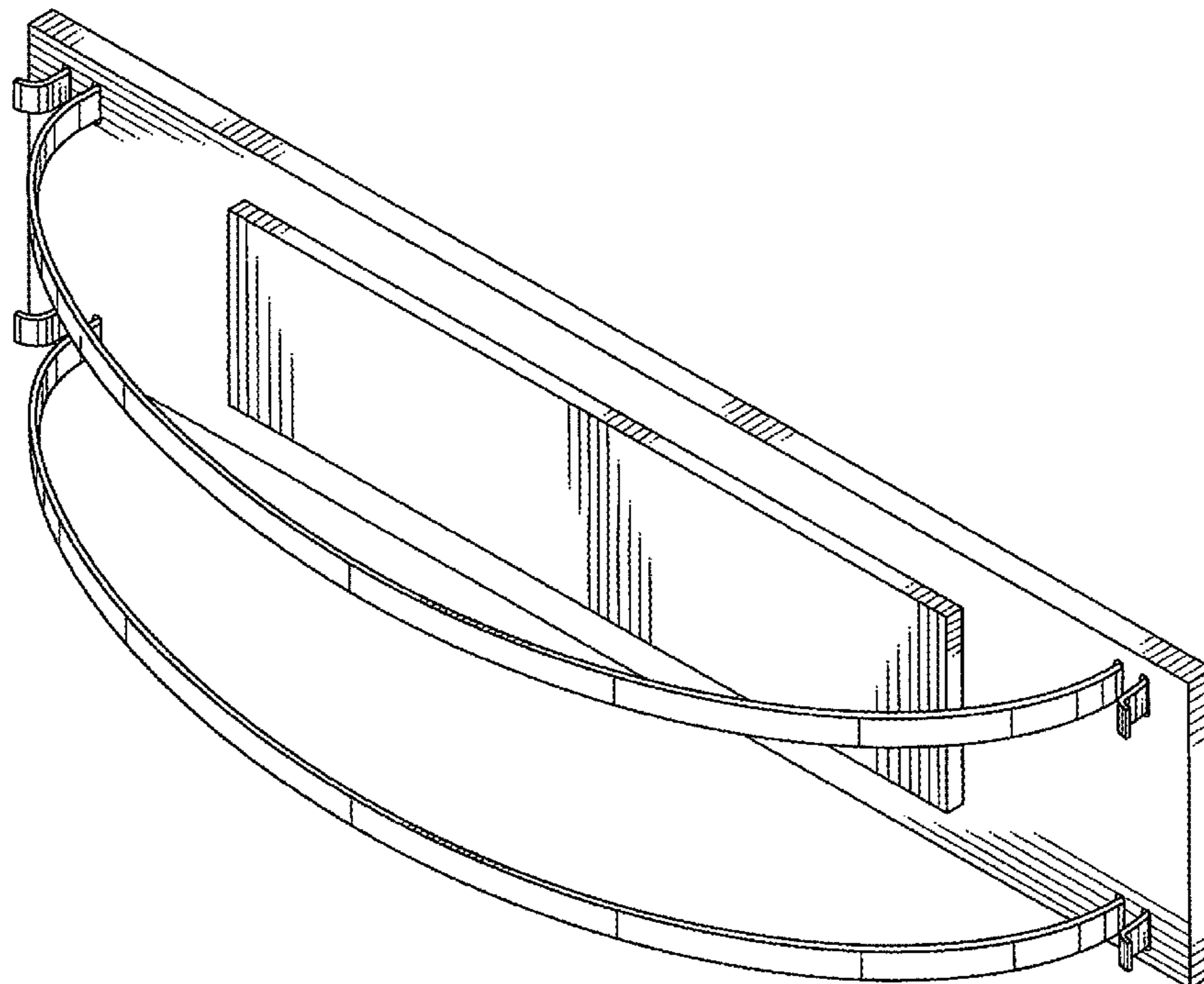
FIG. 1 is a perspective view of the strapped bandage showing the design;  
FIG. 2 is a top view thereof;  
FIG. 3 is a right side view thereof, the left side view is a mirror image thereof;  
FIG. 4 is a bottom view thereof; and,  
FIG. 5 is a right end view thereof, the left end view is a mirror image thereof.

(56) **References Cited**

**U.S. PATENT DOCUMENTS**

D78,883 S *	7/1929	Genard	.....	D28/42
D359,144 S *	6/1995	Healzer	.....	D28/42

**1 Claim, 2 Drawing Sheets**



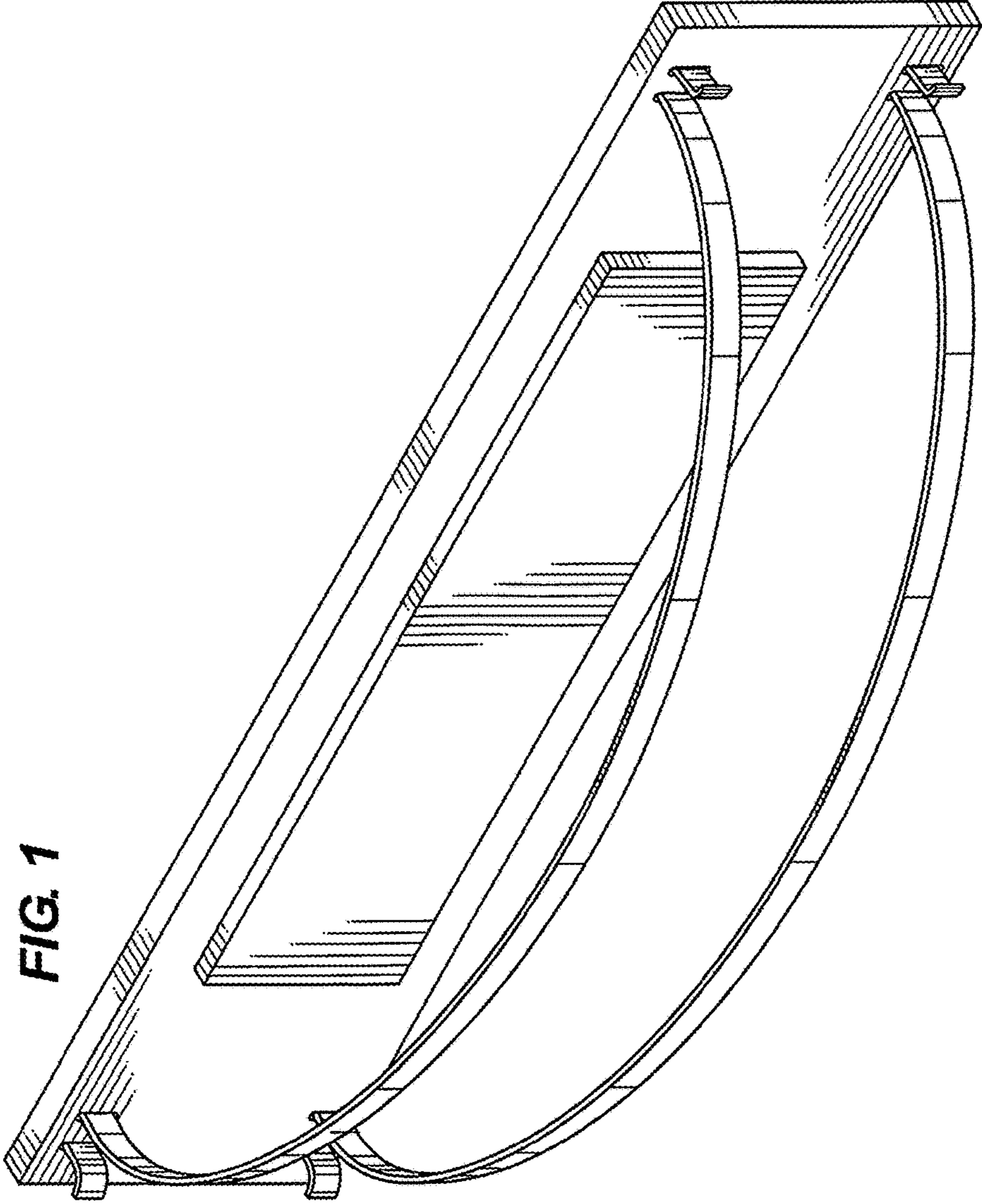
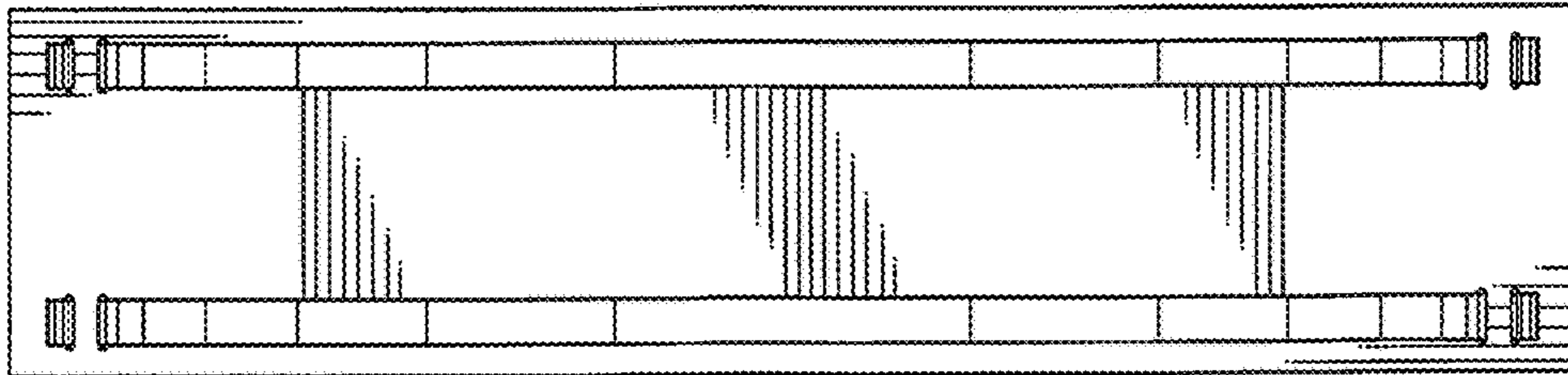
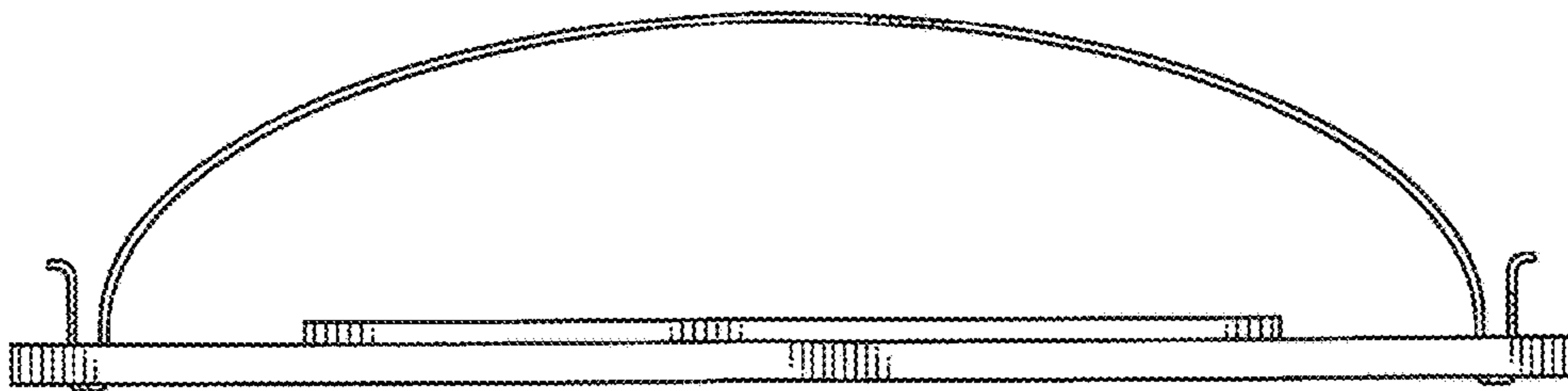


FIG. 1

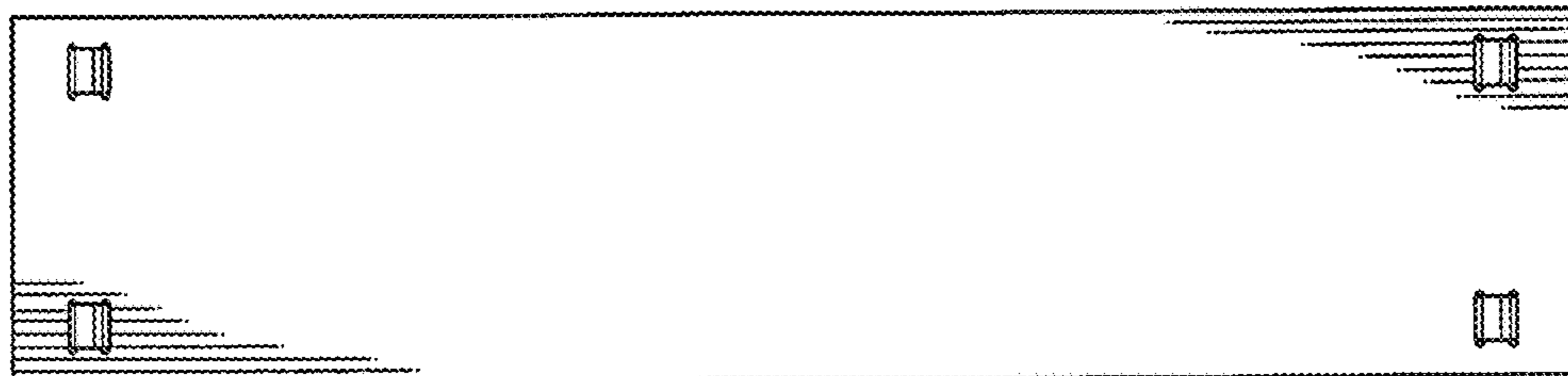
**FIG. 2**



**FIG. 3**



**FIG. 4**



**FIG. 5**

