



US00D863563S

(12) **United States Design Patent** (10) **Patent No.:** **US D863,563 S**
Herder et al. (45) **Date of Patent:** **** Oct. 15, 2019**

(54) **STRAPPED BANDAGE WITH HEATING/COOLING POCKET**

D667,167 S * 9/2012 Stewart D28/42
D669,634 S * 10/2012 Vergona D28/42
D671,265 S * 11/2012 Stewart D28/42
D811,609 S * 2/2018 Huff D24/189

(71) Applicant: **Dru-Kare LLC**, Cottage Grove, MN (US)

(72) Inventors: **Karin M. Herder**, Cottage Grove, MN (US); **Drew J. Sanders**, Cottage Grove, MN (US)

(73) Assignee: **Dru-Kare LLC**, Cottage Grove, MN (US)

(**) Term: **15 Years**

(21) Appl. No.: **29/626,957**

(22) Filed: **Nov. 21, 2017**

(51) **LOC (12) Cl.** **24-04**

(52) **U.S. Cl.**
USPC **D24/189**

(58) **Field of Classification Search**
USPC D24/188, 189, 191, 192, 206; D28/27, D28/39, 42, 75
CPC A61F 13/00085; A61F 13/00042; A61F 13/00063; A61F 7/08; A61F 2013/00187
See application file for complete search history.

(56) **References Cited**

U.S. PATENT DOCUMENTS

D78,883 S * 7/1929 Genard D28/42
D359,144 S * 6/1995 Healzer D28/42

OTHER PUBLICATIONS

Halyard. Hand-aid IV Wrist Support. No date specified. <https://products.halyardhealth.com/infection-prevention/patient-care/iv-therapy/hand-aid-iv-wrist-support.html> (Year: 0).*

* cited by examiner

Primary Examiner — George D. Kirschbaum
Assistant Examiner — Darcey E Gottschalk
(74) *Attorney, Agent, or Firm* — Barnes & Thornburg LLP; Jeffrey R. Stone

(57) **CLAIM**

The ornamental design for a strapped bandage with heating/cooling pocket, as shown and described.

DESCRIPTION

FIG. 1 is a perspective view of the strapped bandage with heating/cooling pocket showing the design; FIG. 2 is a top view thereof; FIG. 3 is a right side view thereof, the left side view is a mirror image thereof; FIG. 4 is a bottom view thereof; FIG. 5 is a right end view thereof; and, FIG. 6 is a left end view thereof.

1 Claim, 3 Drawing Sheets

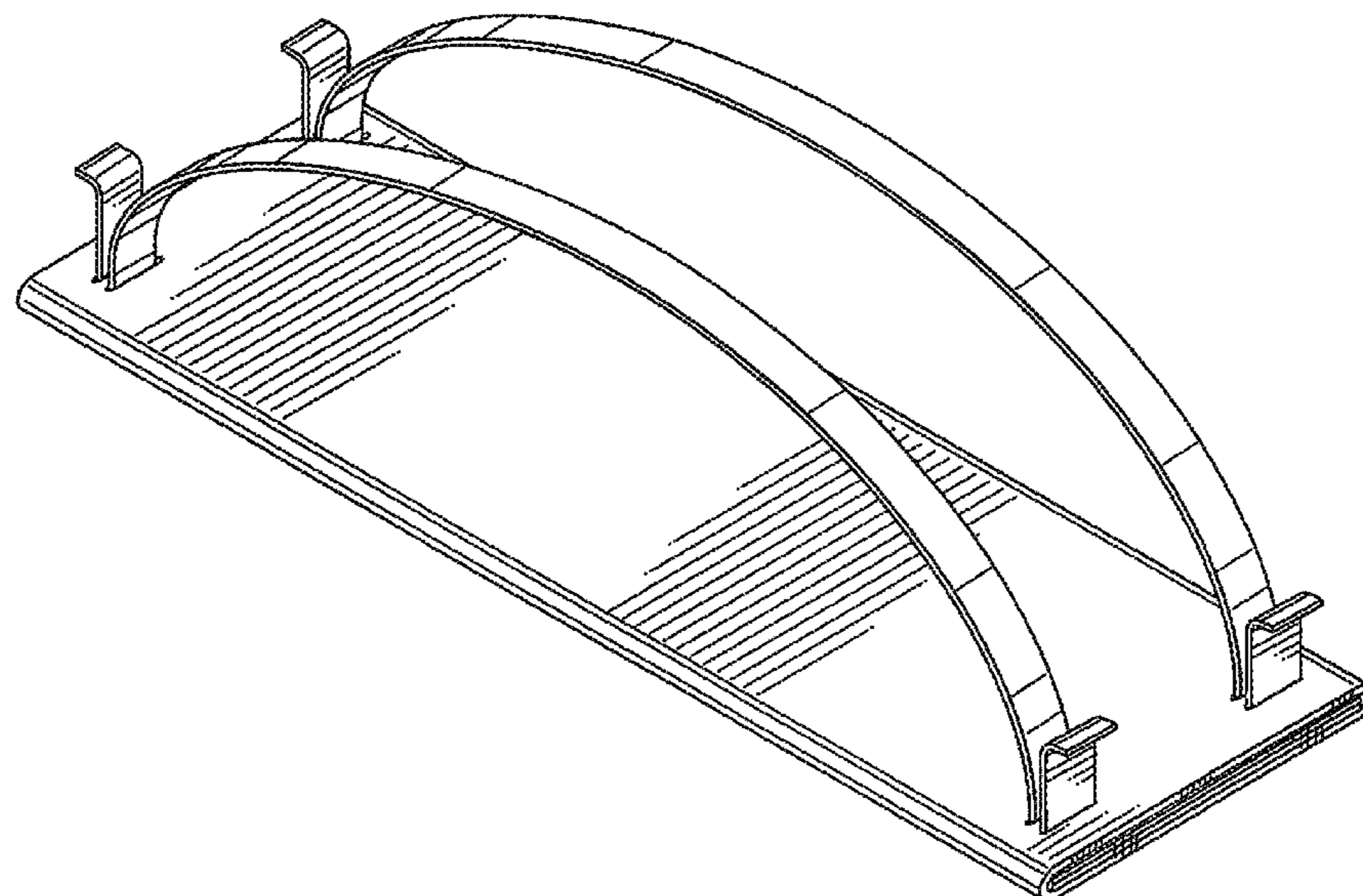


FIG. 1

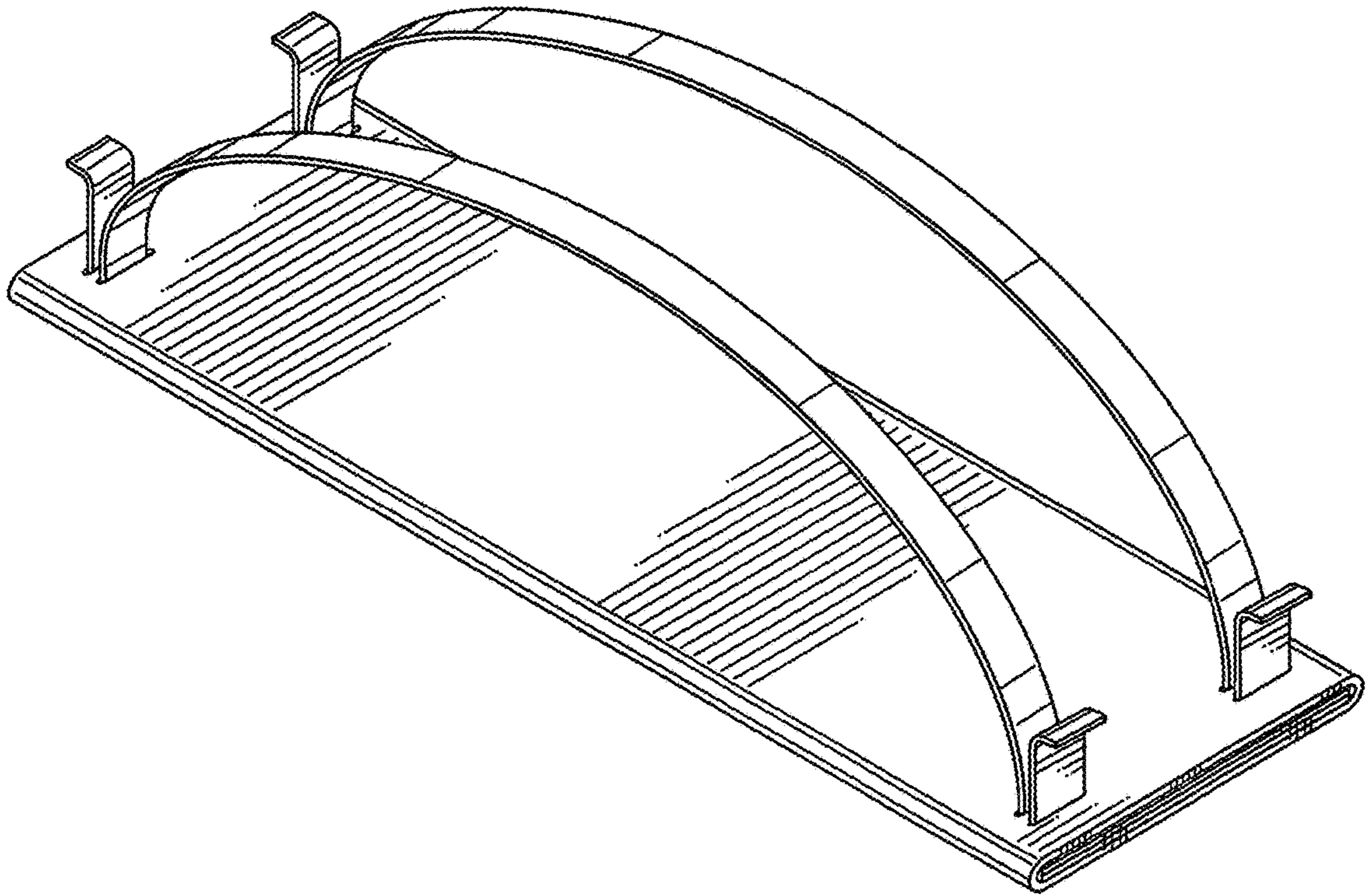


FIG. 2

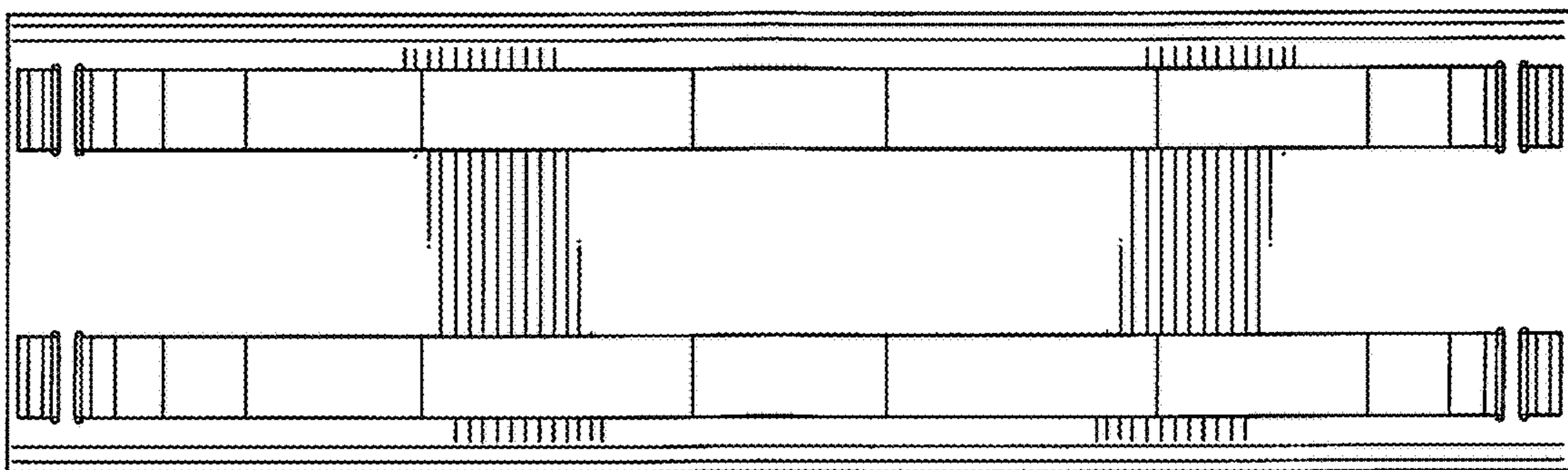


FIG. 3

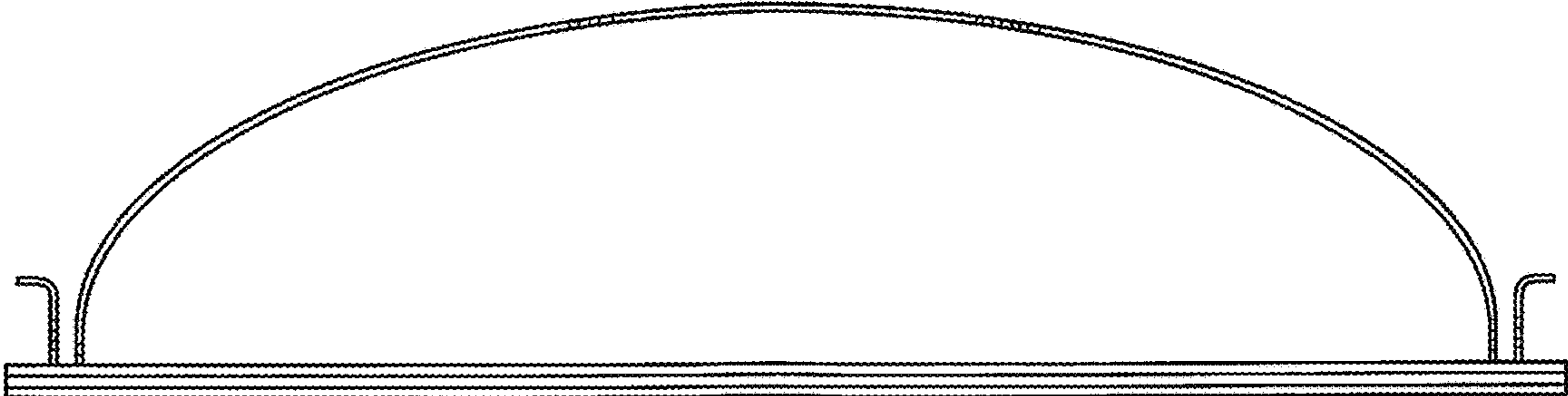


FIG. 4

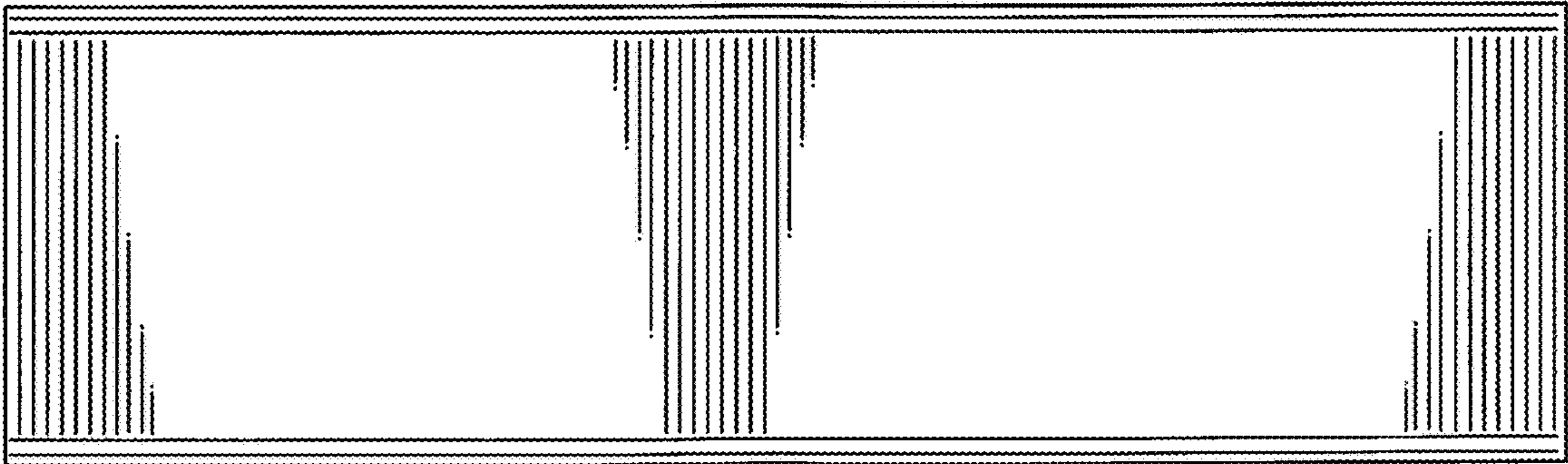


FIG. 5

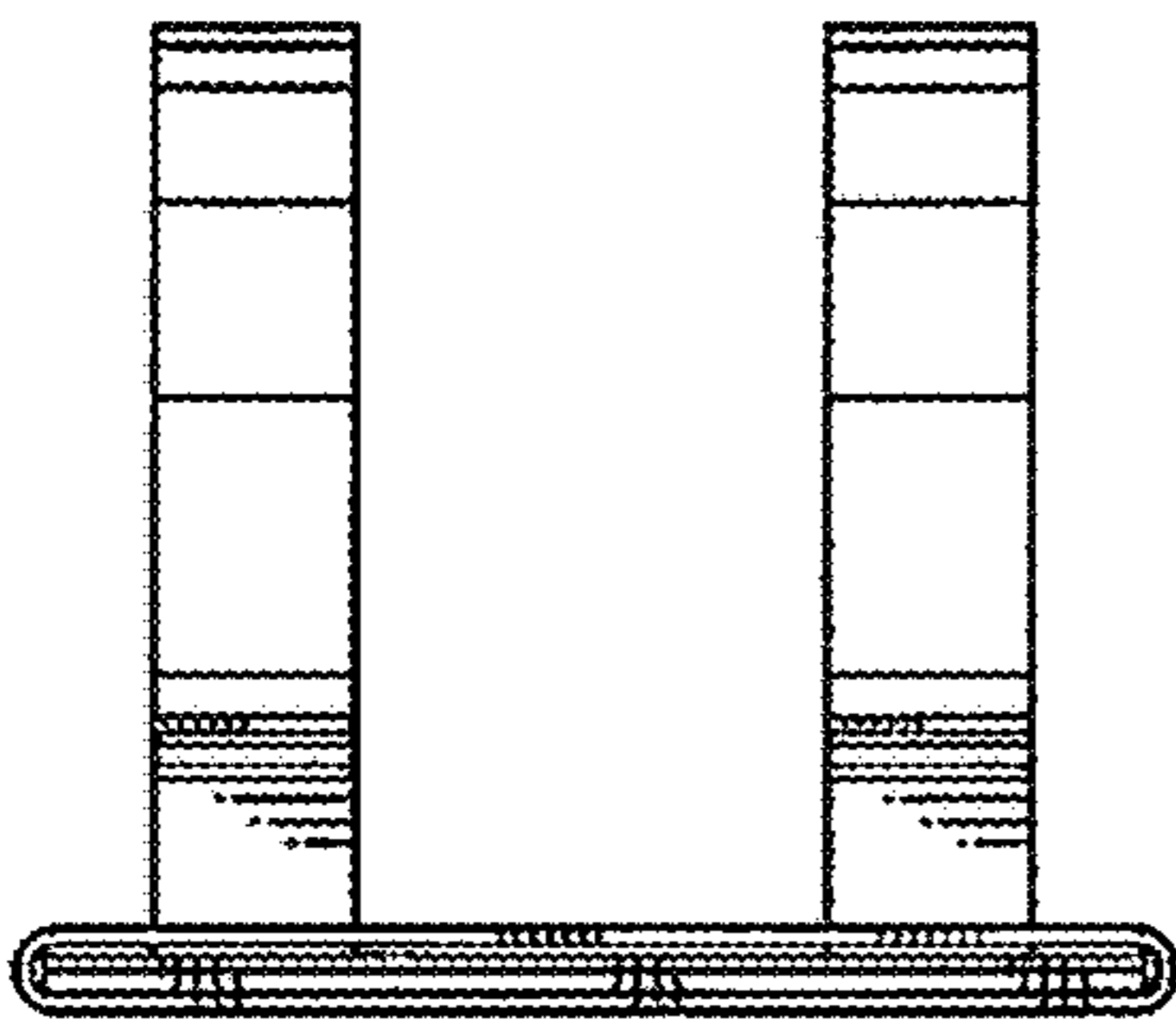


FIG. 6

