



US00D863560S

(12) **United States Design Patent**  
**Hansen et al.**

(10) **Patent No.:** **US D863,560 S**  
(45) **Date of Patent:** **\*\* Oct. 15, 2019**

(54) **DISPLAY SCREEN WITH STAND**

- (71) Applicant: **3SHAPE A/S**, Copenhagen K (DK)
- (72) Inventors: **Eskild Hansen**, Copenhagen (DK);  
**Lars Henriksen**, Copenhagen K (DK);  
**Mads Groenlund**, Copenhagen K (DK);  
**Mikael Nielsen**, Copenhagen (DK);  
**Ole Noerklit**, Copenhagen K (DK);  
**Sindri Sighvatsson**, København Ø (DK)
- (73) Assignee: **3SHAPE A/S**, Copenhagen K (DK)
- (\*\*) Term: **15 Years**
- (21) Appl. No.: **35/504,998**
- (22) Filed: **Feb. 21, 2018**
- (80) **Hague Agreement Data**  
Int. Filing Date: **Feb. 21, 2018**  
Int. Reg. No.: **DM/101060**  
Int. Reg. Date: **Feb. 21, 2018**  
Int. Reg. Pub. Date: **May 25, 2018**

- (51) **LOC (12) Cl.** ..... **24-02**
- (52) **U.S. Cl.**  
USPC ..... **D24/185; D14/126**
- (58) **Field of Classification Search**  
USPC ..... D14/125–126, 371, 374–377, 447–448,  
D14/452; D21/329, 515; D6/320, 332,  
D6/515; D24/158, 185–186  
CPC ... A61B 8/4405; A61B 8/4411; A61B 8/4427;  
A61B 8/462; A61B 8/463; G06F 1/16;  
G06F 1/1601; G06F 1/1637; H04N 5/64;  
H05K 5/0017; H05K 5/0204; H05K  
5/0217

See application file for complete search history.

(56) **References Cited**

**U.S. PATENT DOCUMENTS**

- D223,779 S \* 6/1972 Abell, Jr. .... D14/129
- D393,853 S \* 4/1998 Maas ..... D14/126
- D439,225 S \* 3/2001 Kita ..... D14/126
- D459,477 S \* 6/2002 Stocks ..... D24/164

(Continued)

**OTHER PUBLICATIONS**

WO-D101060-001, posted at Orbit, publication date May 25, 2018.  
Site visited Feb. 28, 2019. Available from Internet. (Year: 2018).\*  
(Continued)

*Primary Examiner* — George D. Kirschbaum  
*Assistant Examiner* — Kathleen L Jones  
(74) *Attorney, Agent, or Firm* — Margaret Polson; Polson  
Intellectual Property Law, PC

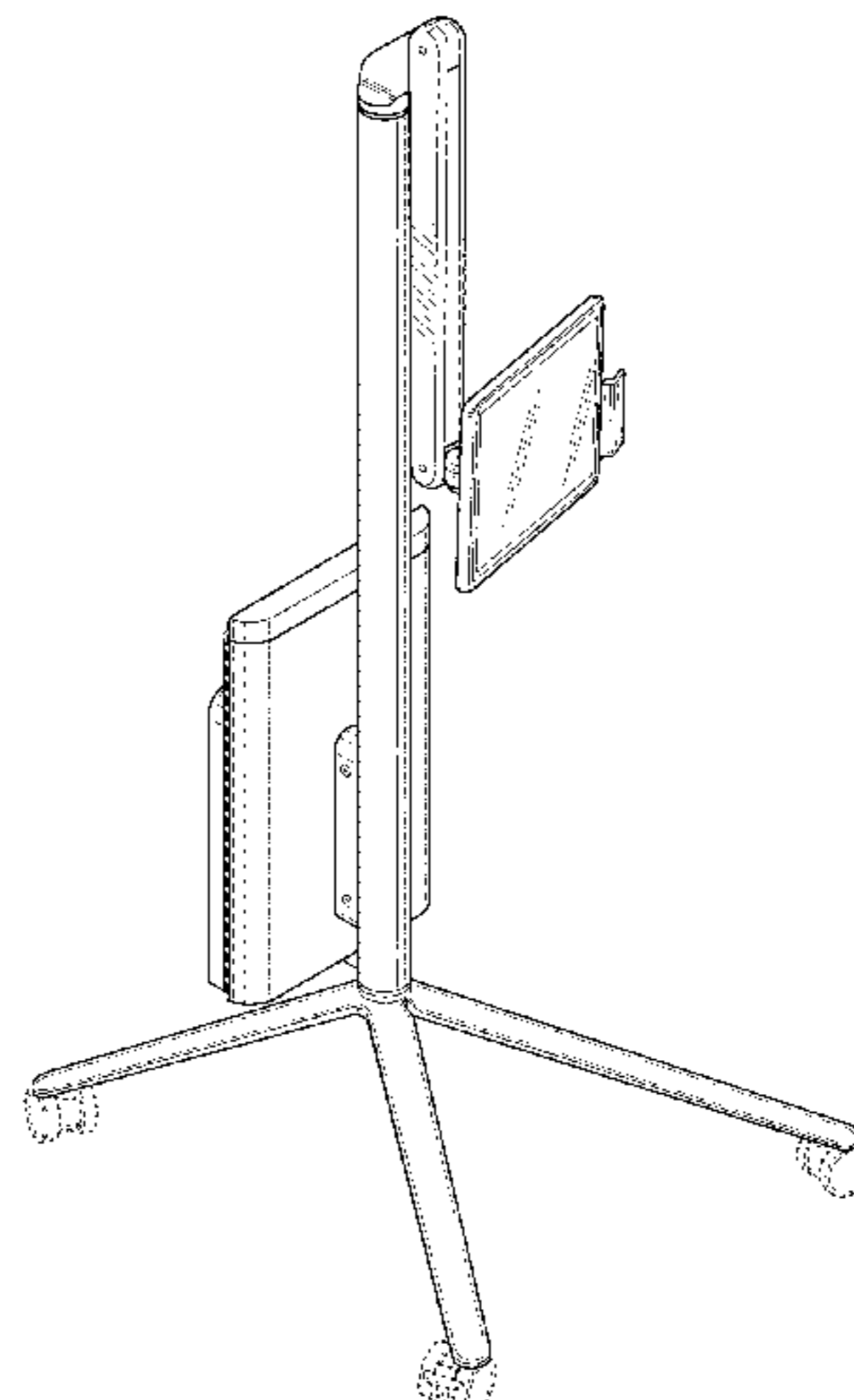
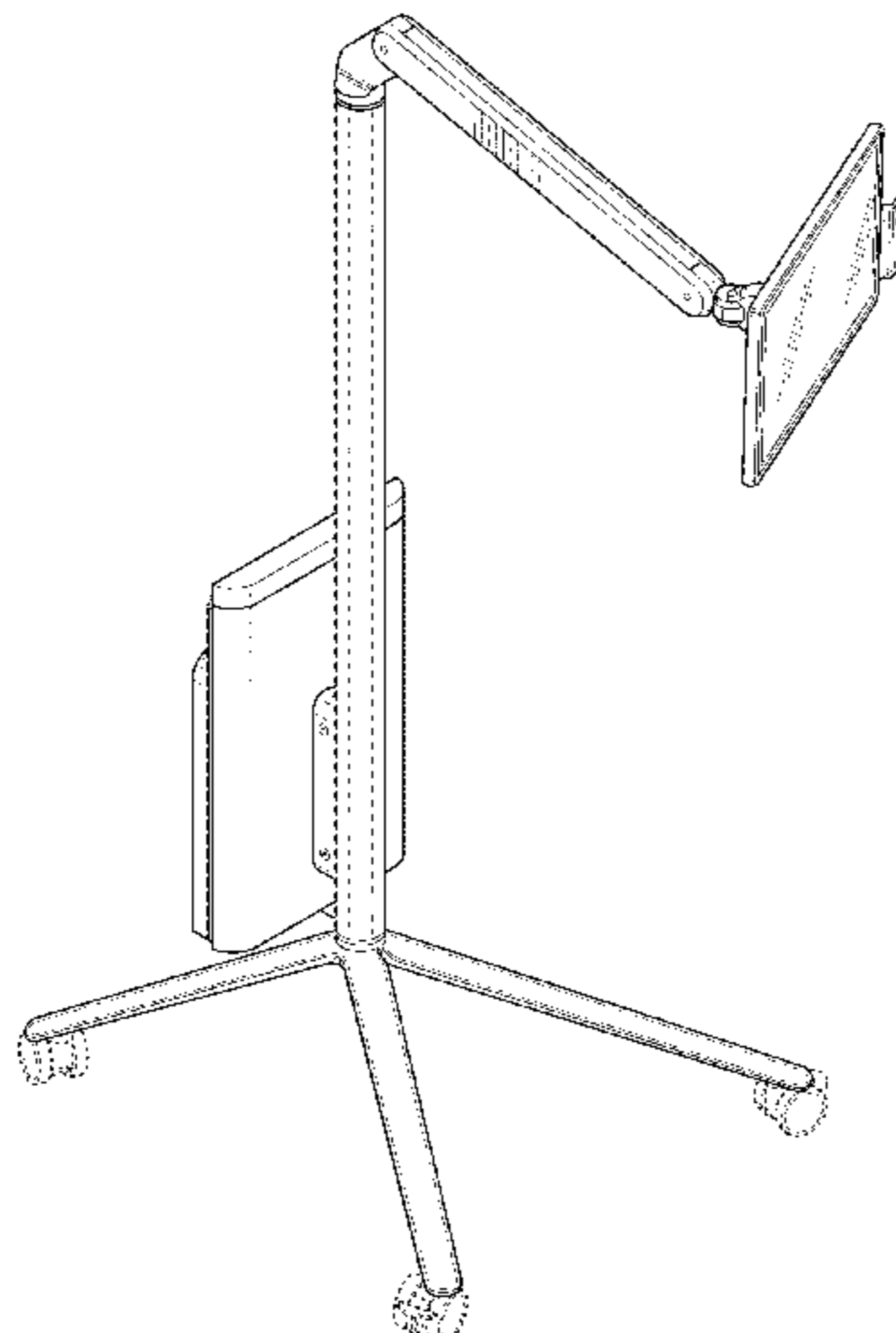
(57) **CLAIM**

The ornamental design for a display screen with stand, as shown and described.

**DESCRIPTION**

Display screen with stand  
Fig. 1.1 is a perspective view of our new design for a display screen with stand.  
Fig. 1.2 is a perspective view of the display screen with stand of Fig. 1.1 with the arm and display in a different position, all other surfaces being the same.  
Fig. 1.3 is a front side elevation view of Fig. 1.1  
Fig. 1.4 is a back side elevation view of Fig. 1.1  
Fig. 1.5 is a top plan view of Fig. 1.1  
Fig. 1.6 is a bottom plan view of Fig. 1.1  
Fig. 1.7 is a right side elevation view of Fig. 1.1  
Fig. 1.8 is a left side elevation view of Fig. 1.1  
Fig. 1.9 is a perspective view of the display screen with stand of Fig. 1.1 with the arm and display in a different position, all other surfaces being the same.  
The broken lines showing portions of the display screen with stand are included for the purpose of illustrating portions of the article and form no part of the claimed design.

**1 Claim, 8 Drawing Sheets**



(56)

References Cited

U.S. PATENT DOCUMENTS

6,447,451 B1 \* 9/2002 Wing ..... F16M 11/041  
600/437  
D486,915 S \* 2/2004 Warschewske ..... D24/185  
D648,855 S \* 11/2011 Smith ..... D24/158  
D652,936 S \* 1/2012 Ross ..... D24/185  
D657,470 S \* 4/2012 Schon ..... D24/186  
D699,852 S \* 2/2014 Chung ..... D24/158  
D712,042 S \* 8/2014 Chung ..... D24/185  
D732,496 S \* 6/2015 Melligen ..... D14/126  
D735,727 S \* 8/2015 Dugger ..... D14/447  
D739,538 S \* 9/2015 Bernal ..... D24/185  
D751,209 S \* 3/2016 DiMino ..... D24/185  
D782,492 S \* 3/2017 Cutler ..... D14/447  
D785,183 S \* 4/2017 Ogura ..... D24/158  
D805,646 S \* 12/2017 Burns ..... D24/185  
D807,880 S \* 1/2018 Varghese ..... D14/371  
D816,223 S \* 4/2018 Barak ..... D24/158  
D852,961 S \* 7/2019 Ellenz ..... D24/185  
D852,962 S \* 7/2019 Chang ..... D24/185  
2001/0034530 A1 \* 10/2001 Malackowski ..... A61B 90/36  
606/130  
2005/0288571 A1 \* 12/2005 Perkins ..... A61B 5/0002  
600/407

2010/0148458 A1 \* 6/2010 Ross ..... A61M 16/0051  
280/47.34  
2013/0345563 A1 \* 12/2013 Stuebe ..... G01S 7/52084  
600/440  
2014/0121524 A1 \* 5/2014 Chiang ..... G16H 30/20  
600/459  
2015/0087979 A1 \* 3/2015 Zhang ..... A61B 8/4494  
600/440

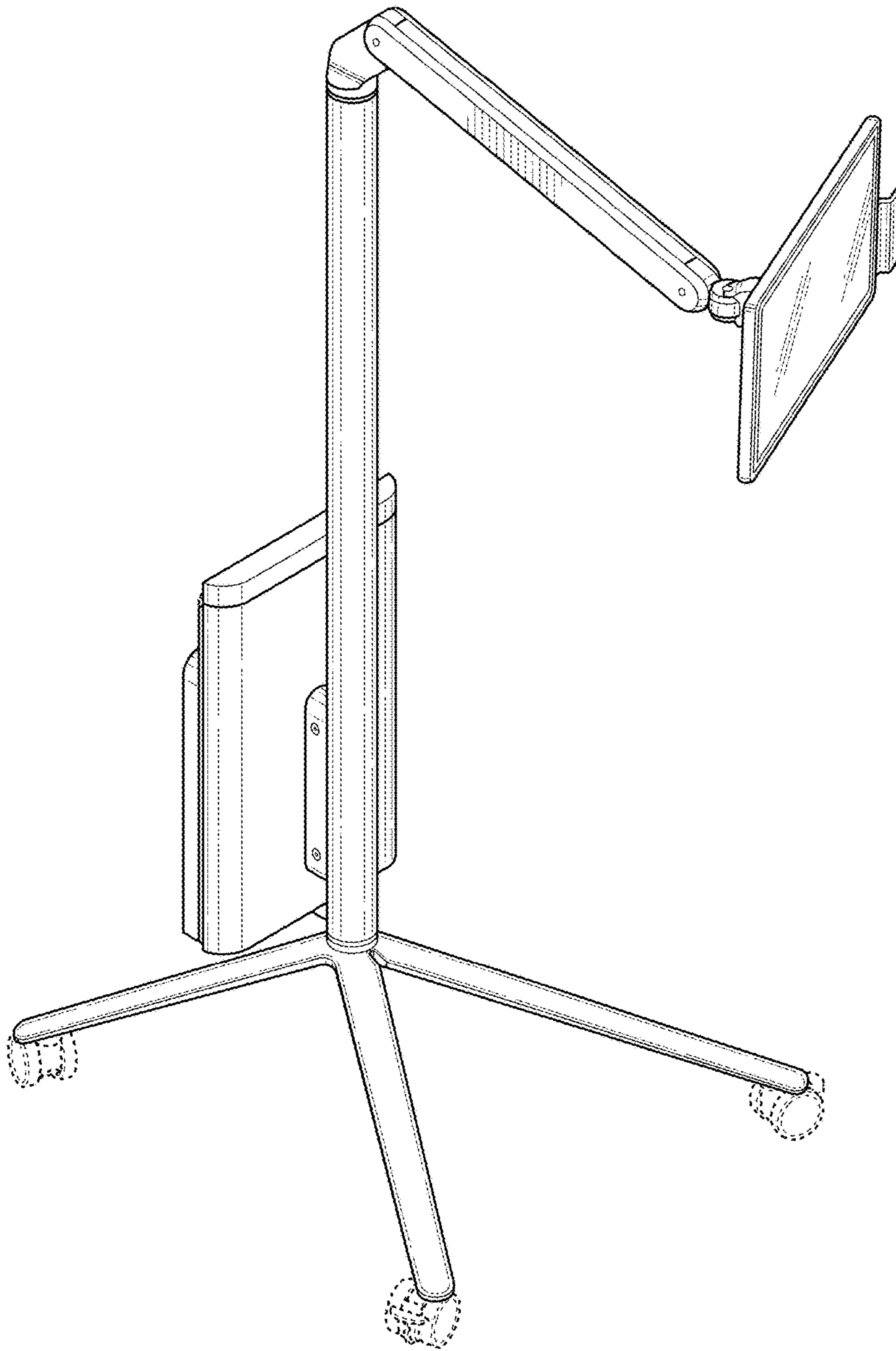
OTHER PUBLICATIONS

Dual Monitor Arm Stand Cart, posted at [afcindustries](http://www.afcindustries.com), posting date Jun. 6, 2017. Site visited Feb. 28, 2019. URL: <<https://web.archive.org/web/20170606074047/http://www.afcindustries.com/dual-monitor-stand-cart-p3515>> (Year: 2017).\*

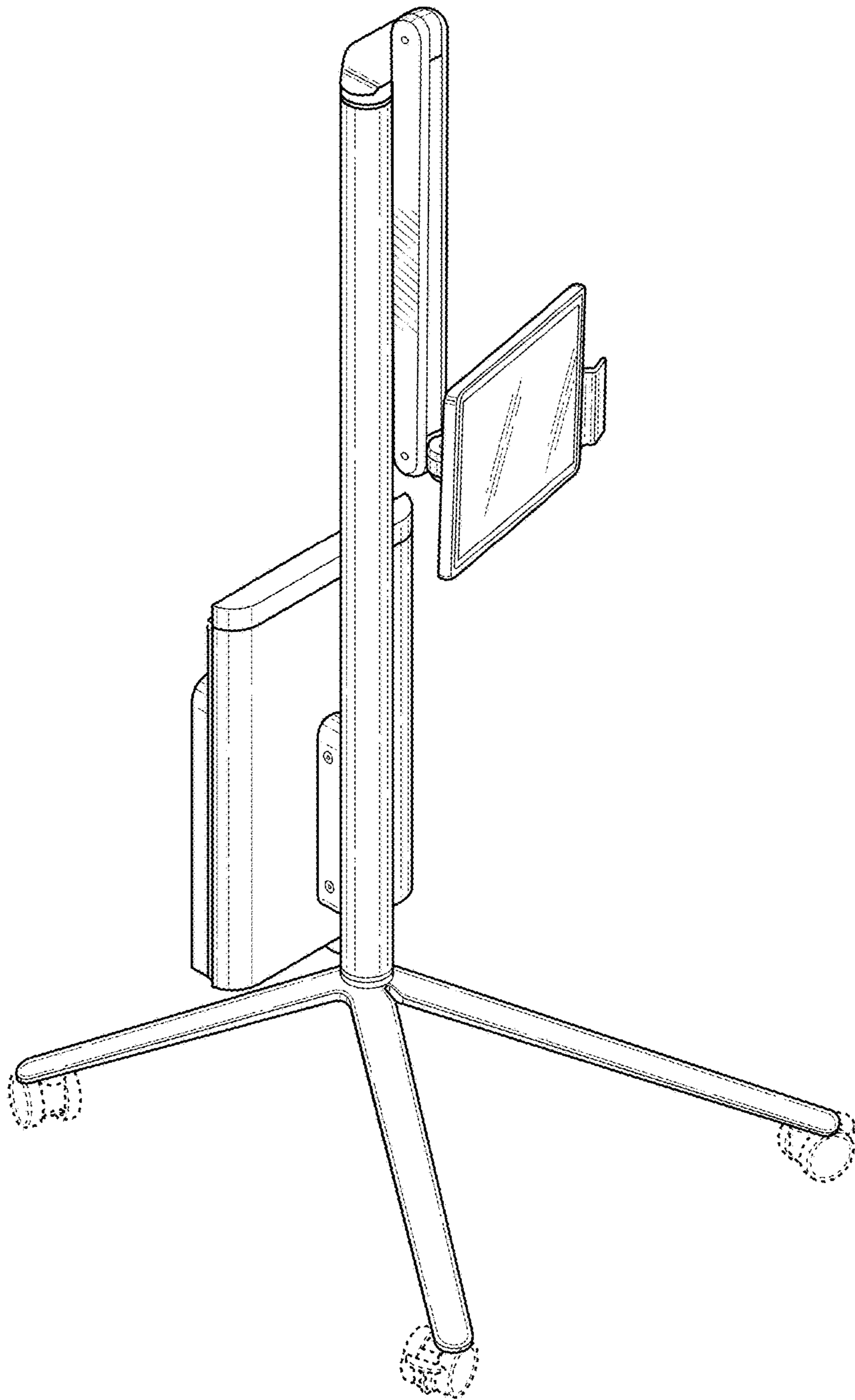
Nova Pro—Modular Medical Tablet Cart, posted at [tryten](http://www.tryten.com), posting date not available. Site visited Feb. 28, 2019. URL: <<https://www.tryten.com/nova-pro.html>>.\*

The 3Shape TRIOS 3D Scanner, posted at the dental gallery, posting date Oct. 11, 2018. Site visited Feb. 28, 2019. URL: <<https://thedentalgallery.com.au/the-3shape-trios-3d-scanner-quick-convenient-intraoral-imaging/>> (Year: 2018).\*

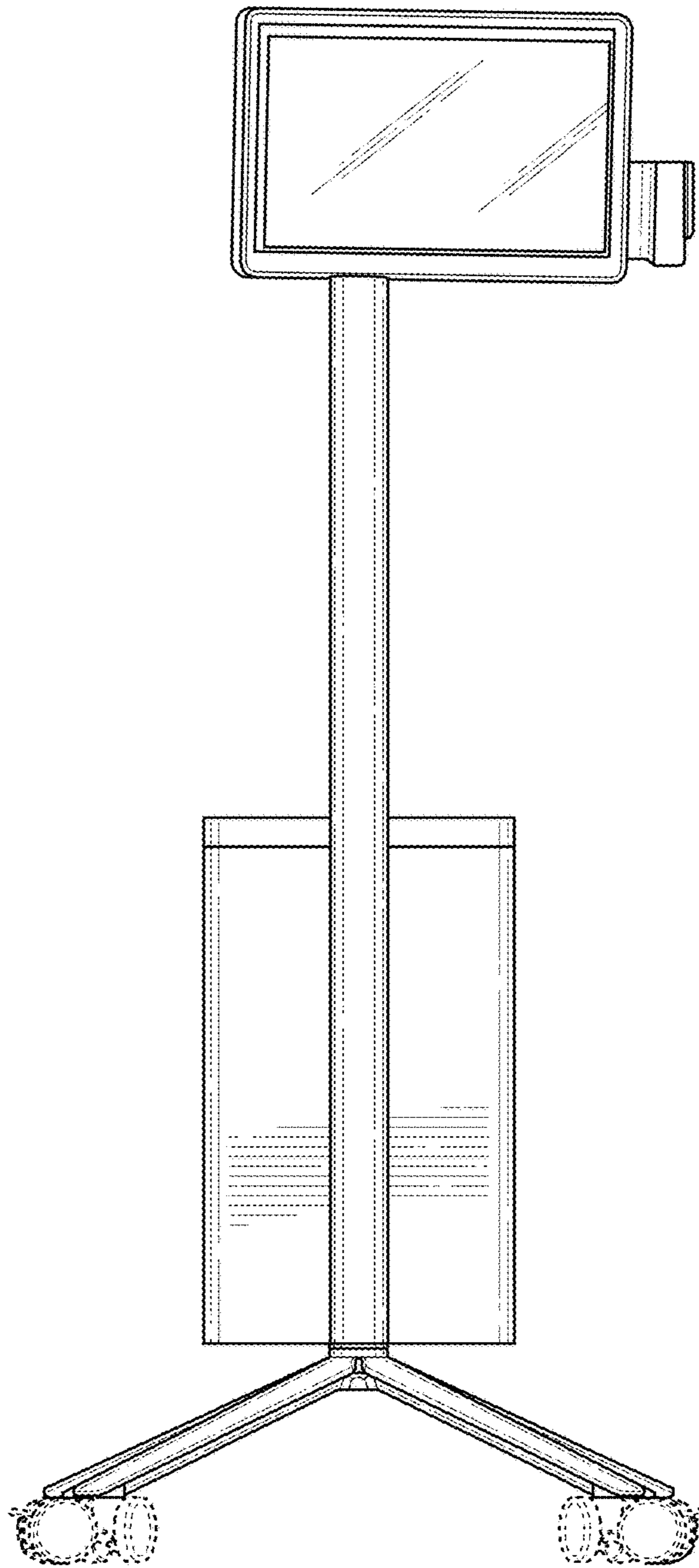
\* cited by examiner



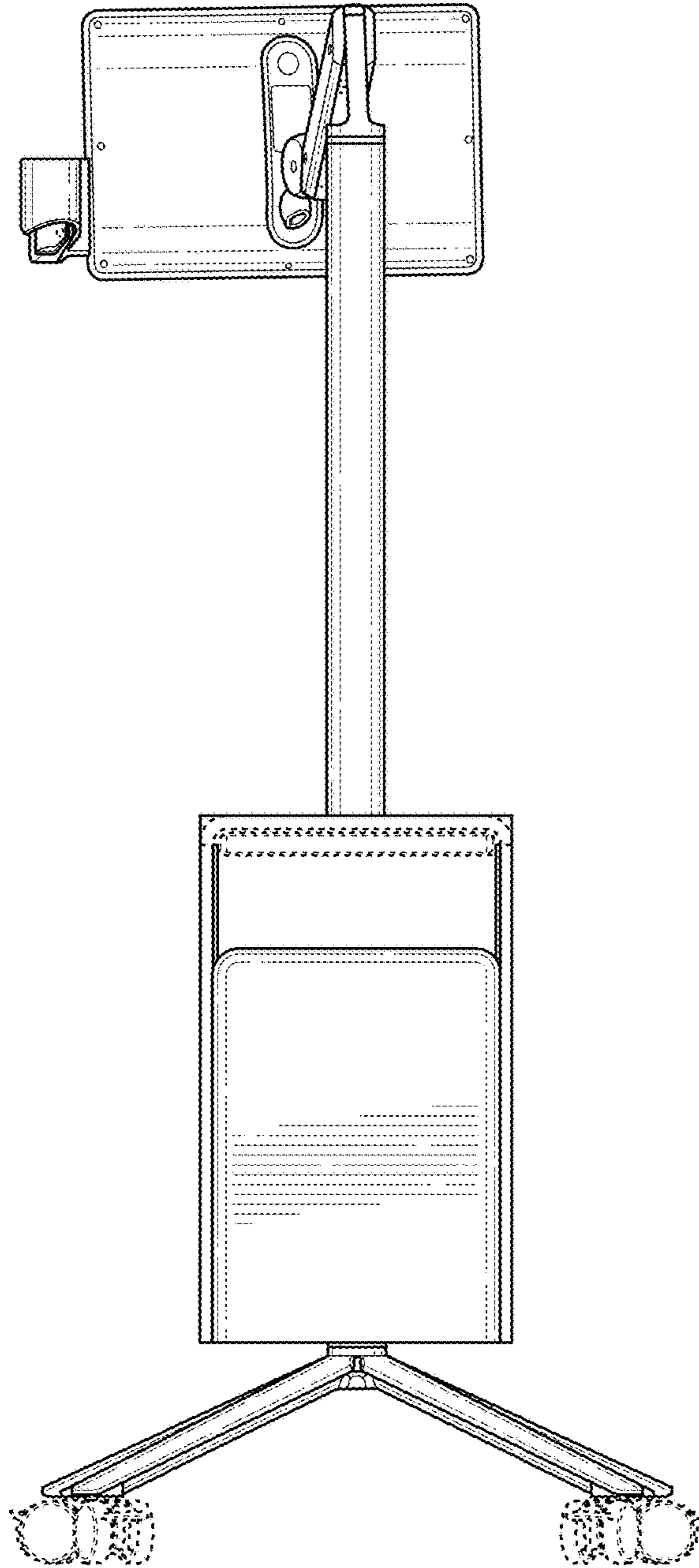
1.1



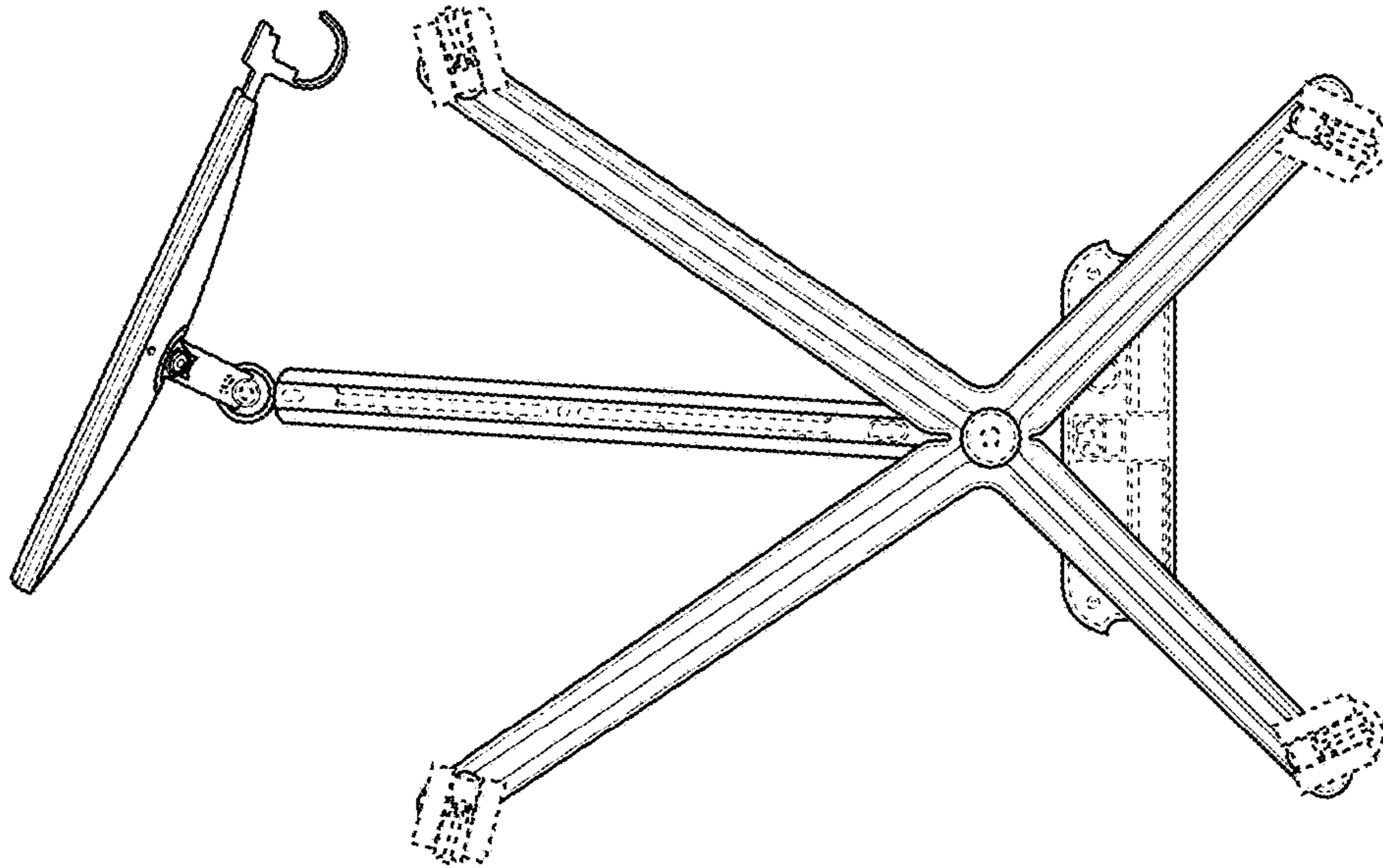
1.2



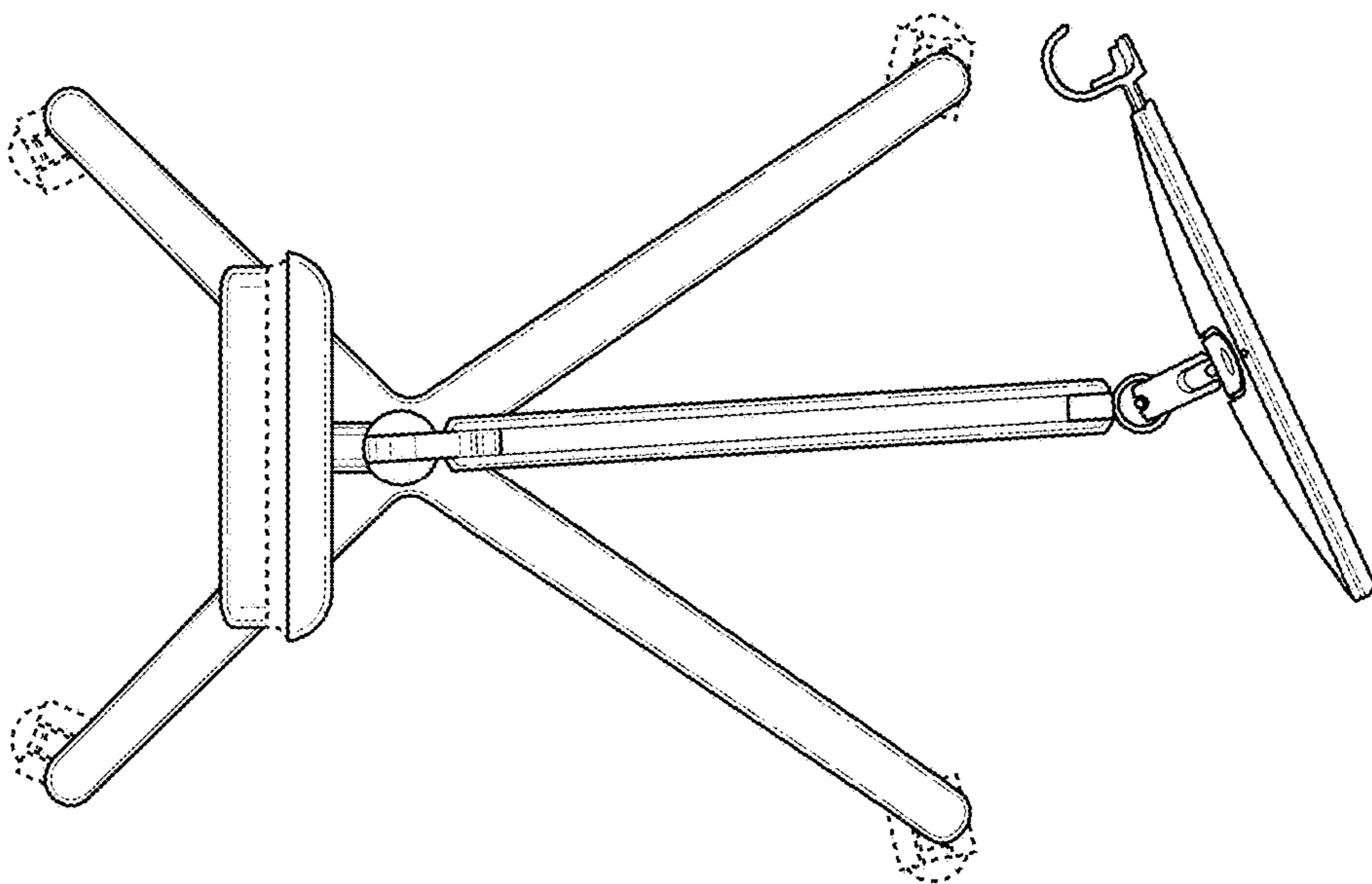
1.3



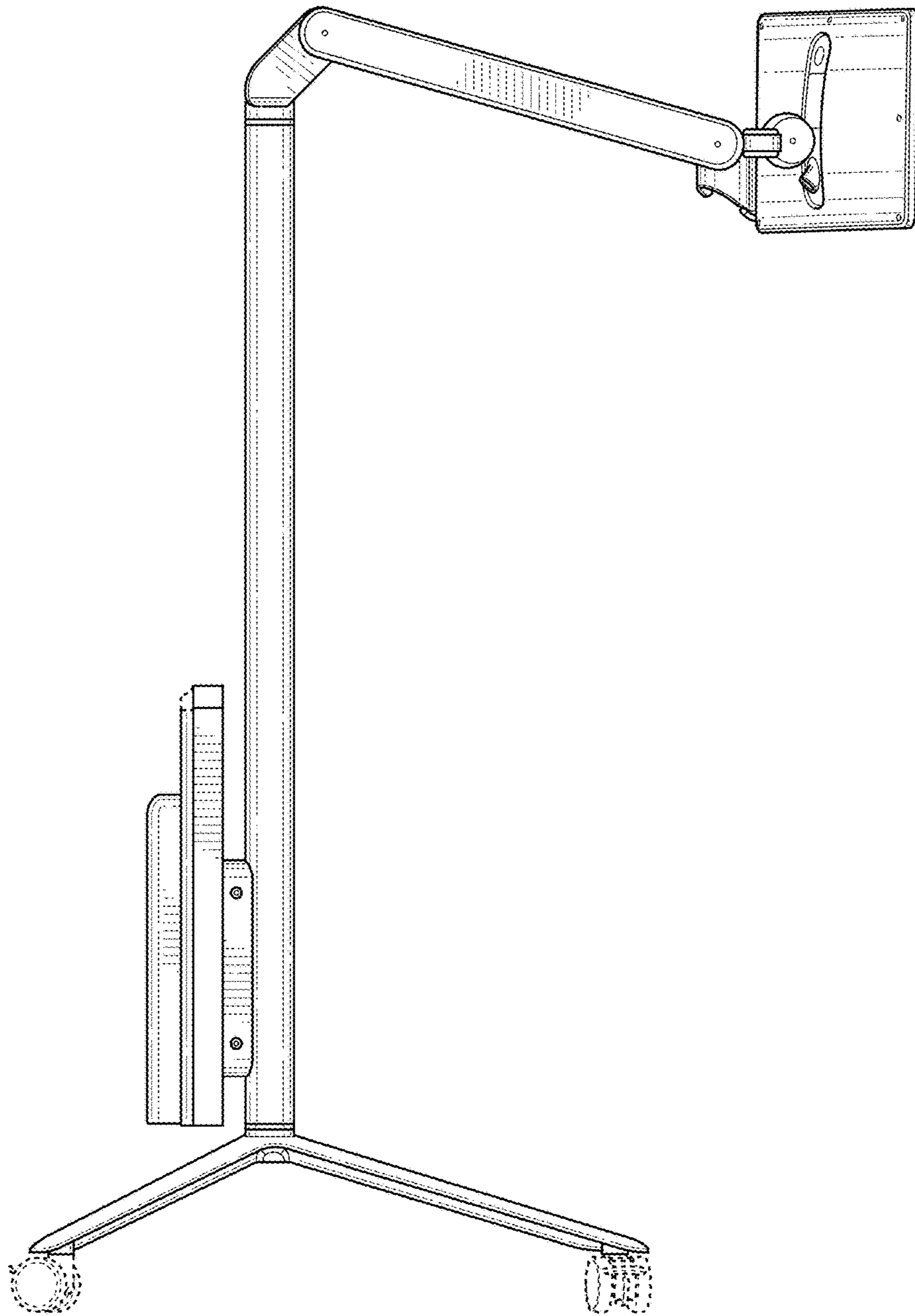
1.4



1.6

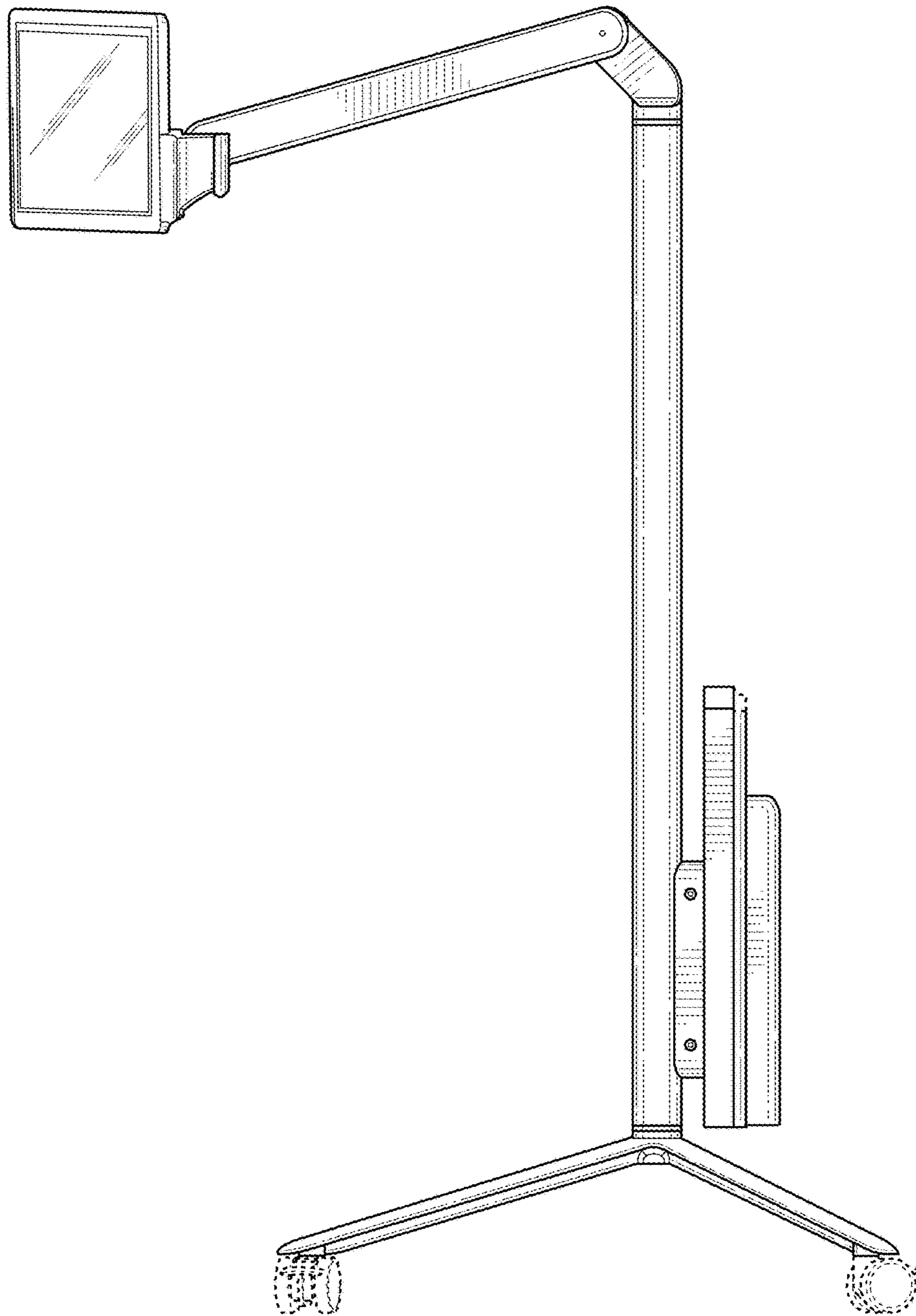


1.5

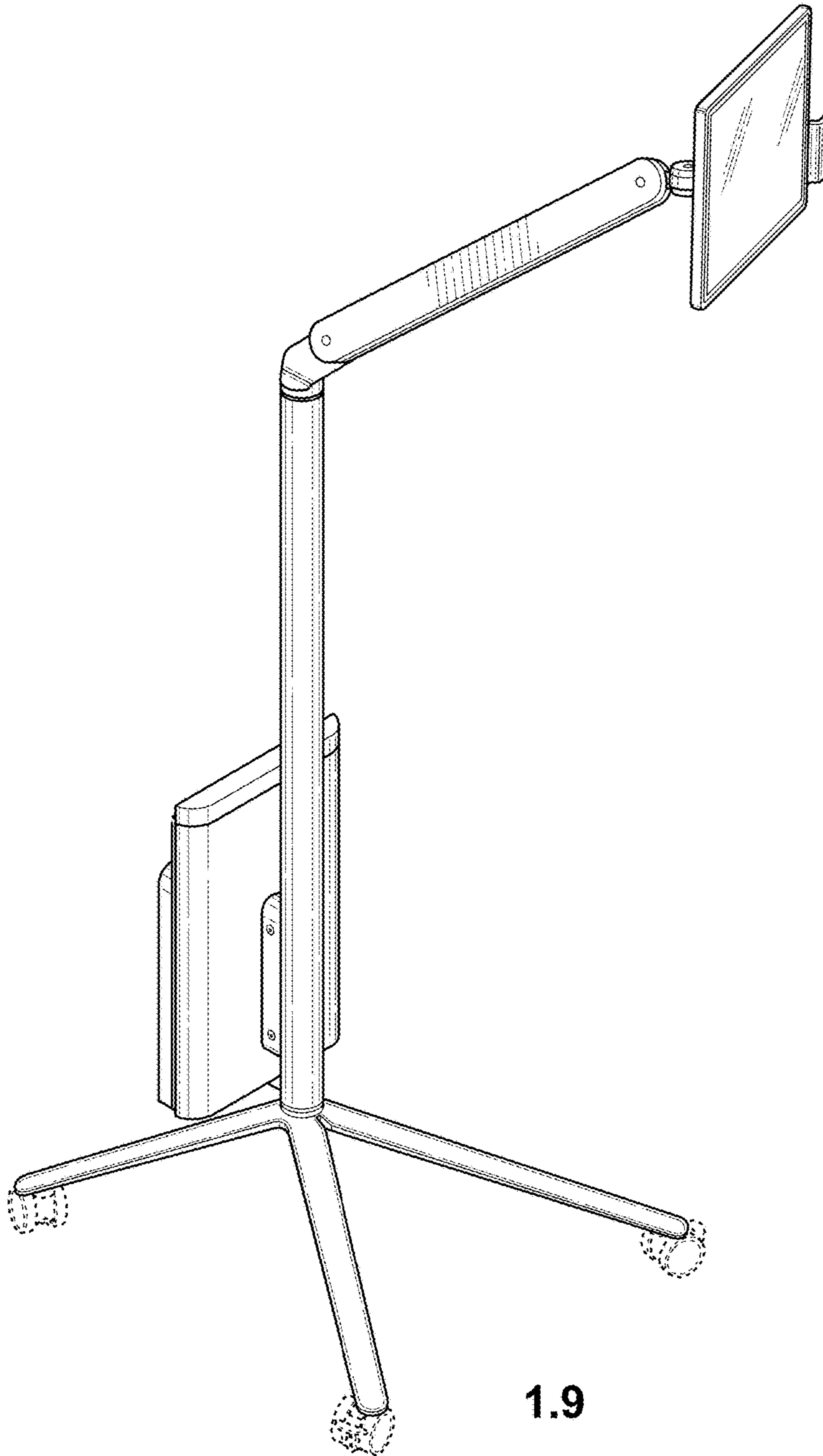


1.7





1.8



1.9