



US00D863558S

(12) **United States Design Patent**
Han

(10) **Patent No.:** **US D863,558 S**

(45) **Date of Patent:** **** Oct. 15, 2019**

(54) **KNEE REHABILITATION APPARATUS**

D725,272 S * 3/2015 Marteau D24/158
D836,206 S * 12/2018 Pettinato D24/185
2017/0259113 A1* 9/2017 Chen A63B 21/4034

(71) Applicant: **HEXAR SYSTEMS CO., LTD.**,
Gyeonggi-do (KR)

(72) Inventor: **Chang-Soo Han**, Gyeonggi-do (KR)

(73) Assignee: **Hexar Systems Co., Ltd.**, Gyeonggi-do
(KR)

(**) Term: **15 Years**

(21) Appl. No.: **29/625,938**

(22) Filed: **Nov. 14, 2017**

(51) **LOC (12) Cl.** **24-02**

(52) **U.S. Cl.**
USPC **D24/183**

(58) **Field of Classification Search**
USPC D24/127, 158, 171, 183–184, 200;
D6/335, 349; D21/668, 673, 690
CPC A61H 1/008; A61H 1/024; A63B 23/0494;
A63B 21/00185; A63B 21/04
See application file for complete search history.

(56) **References Cited**

U.S. PATENT DOCUMENTS

D375,767 S *	11/1996	Camfield	D21/668
D378,613 S *	3/1997	Sundstrom	D24/183
D378,841 S *	4/1997	Huang	D21/668
D390,664 S *	2/1998	Chun-Chung	5/929
D445,194 S *	7/2001	Chang	D24/200
D555,249 S *	11/2007	Roleder	D24/184
D598,965 S *	8/2009	Augustine	D21/673
D624,135 S *	9/2010	Tsai	D21/668
D659,250 S *	5/2012	Cottrell	D24/183
D668,770 S *	10/2012	Tucek	D24/209

OTHER PUBLICATIONS

Hexar KR40P-Hexa Systems Co. Online, published date Nov. 20, 2014. Retrieved on Dec. 23, 2018 from URL: https://www.youtube.com/watch?v=5Cy-_7KQaeo.*

* cited by examiner

Primary Examiner — Susan Bennett Hattan

Assistant Examiner — Omeed Agilee

(74) *Attorney, Agent, or Firm* — Baker & Hostetler LLP

(57) **CLAIM**

The ornamental design for a knee rehabilitation apparatus, as shown and described.

DESCRIPTION

FIG. 1 is a front top right perspective view of a knee rehabilitation apparatus showing my new design; FIG. 2 is a front elevation view thereof; FIG. 3 is a rear elevation view thereof; FIG. 4 is a left side elevation view thereof; FIG. 5 is a right side elevation view thereof; FIG. 6 is a top plan view thereof; FIG. 7 is a bottom plan view thereof; FIG. 8 is a rear top left perspective view thereof; and, FIG. 9 is a front bottom right perspective view thereof. The broken lines including the areas within them depict portions of the knee rehabilitation apparatus that form no part of the claimed design.

1 Claim, 9 Drawing Sheets

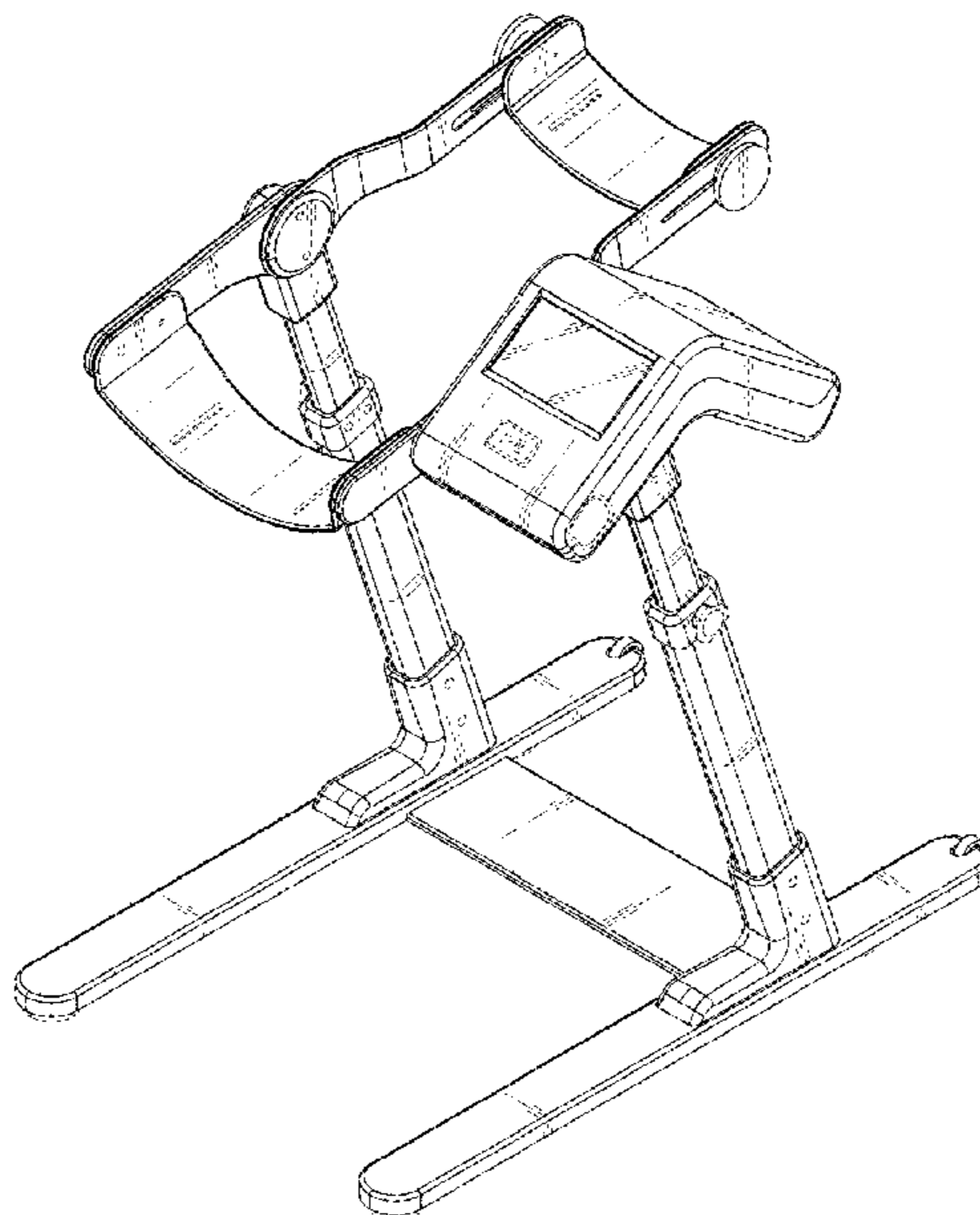


FIG. 1

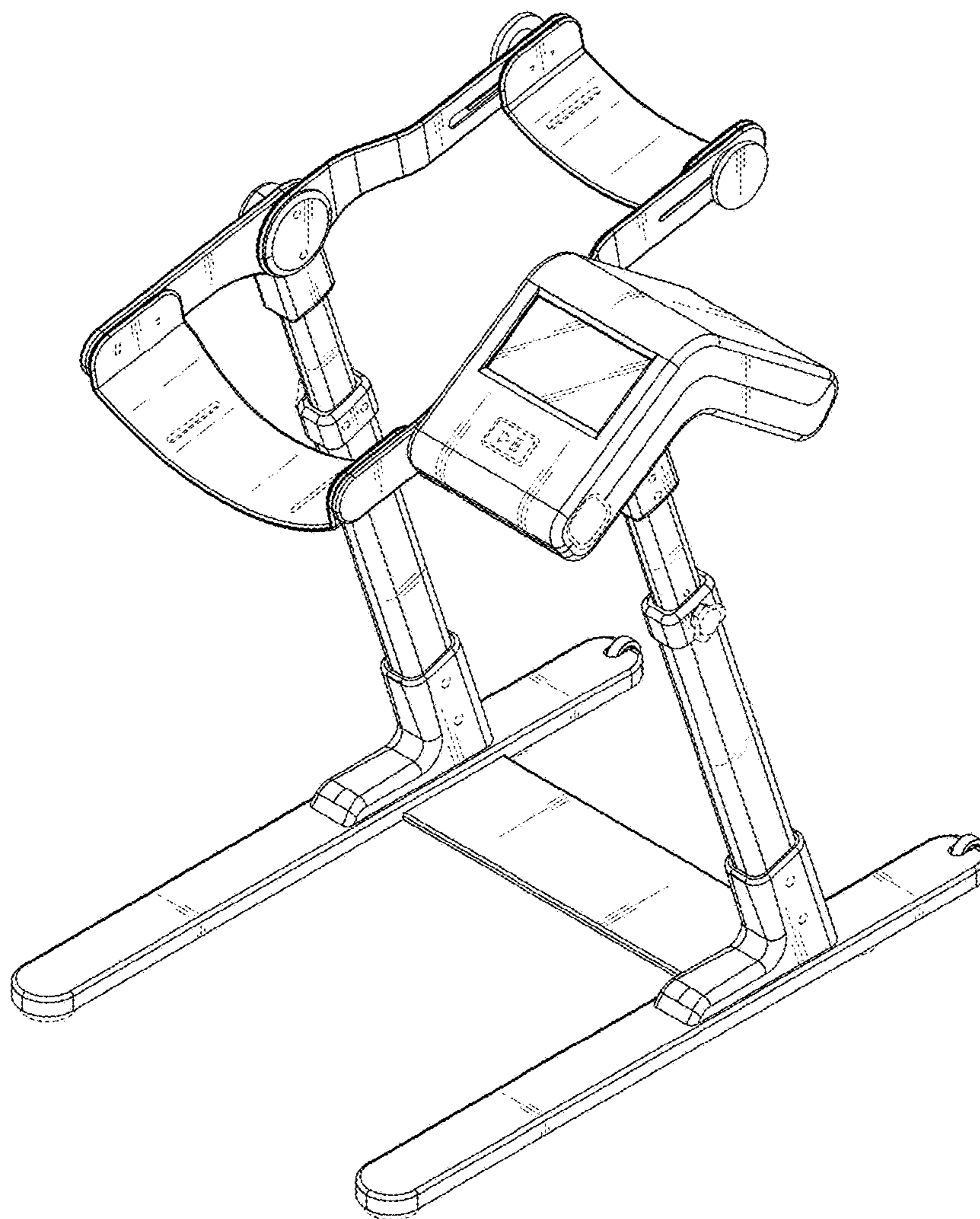


FIG. 2

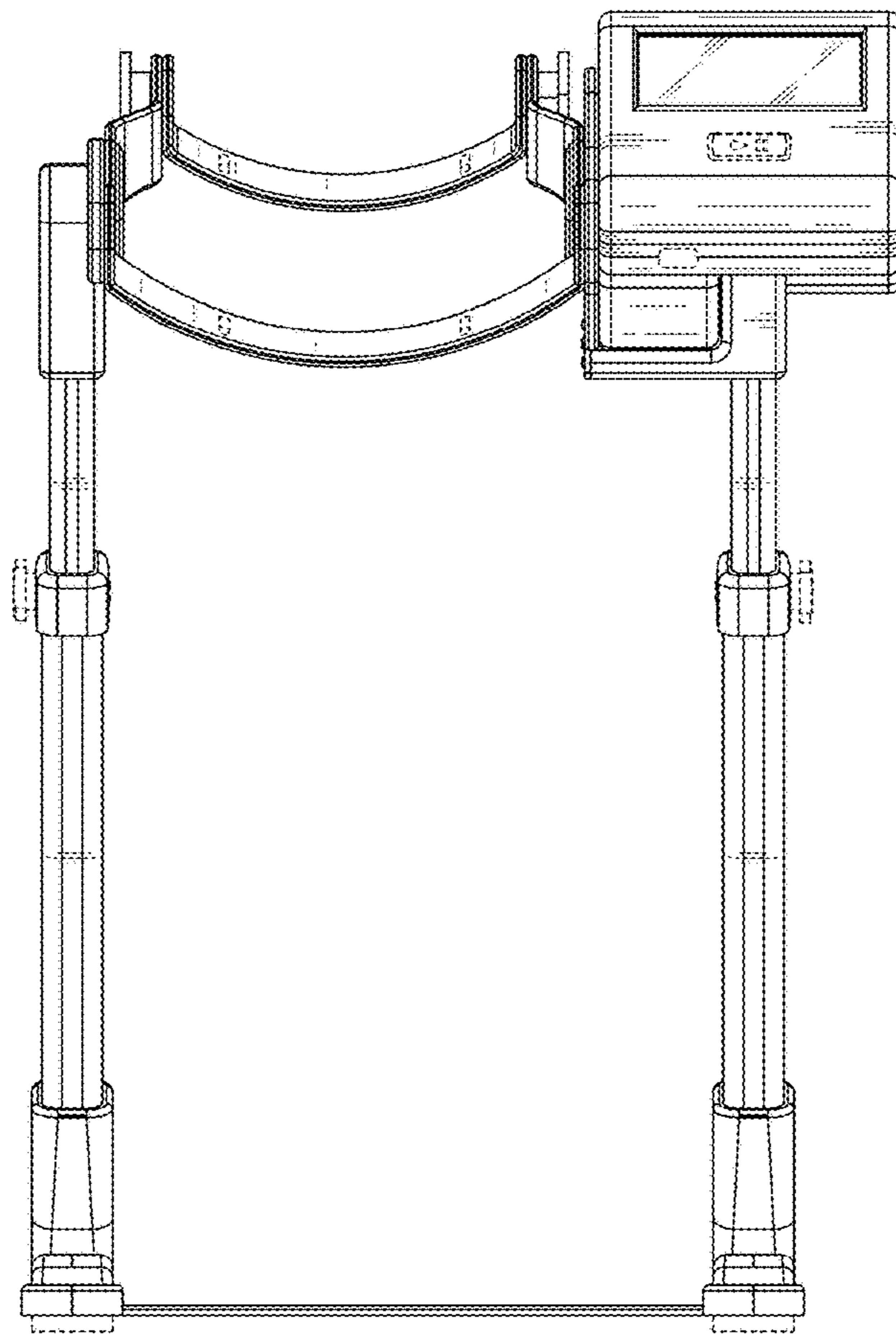


FIG. 3

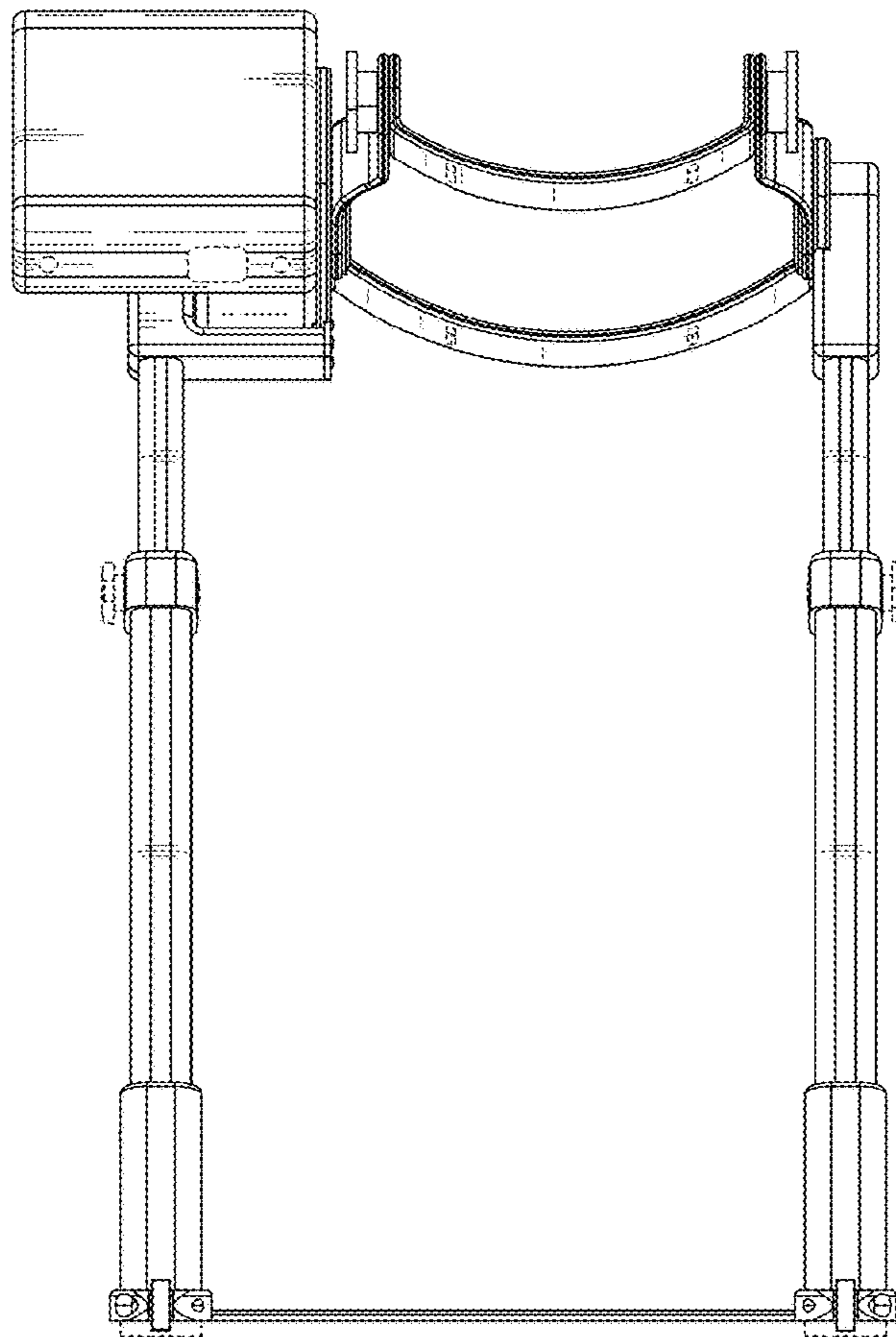


FIG. 4

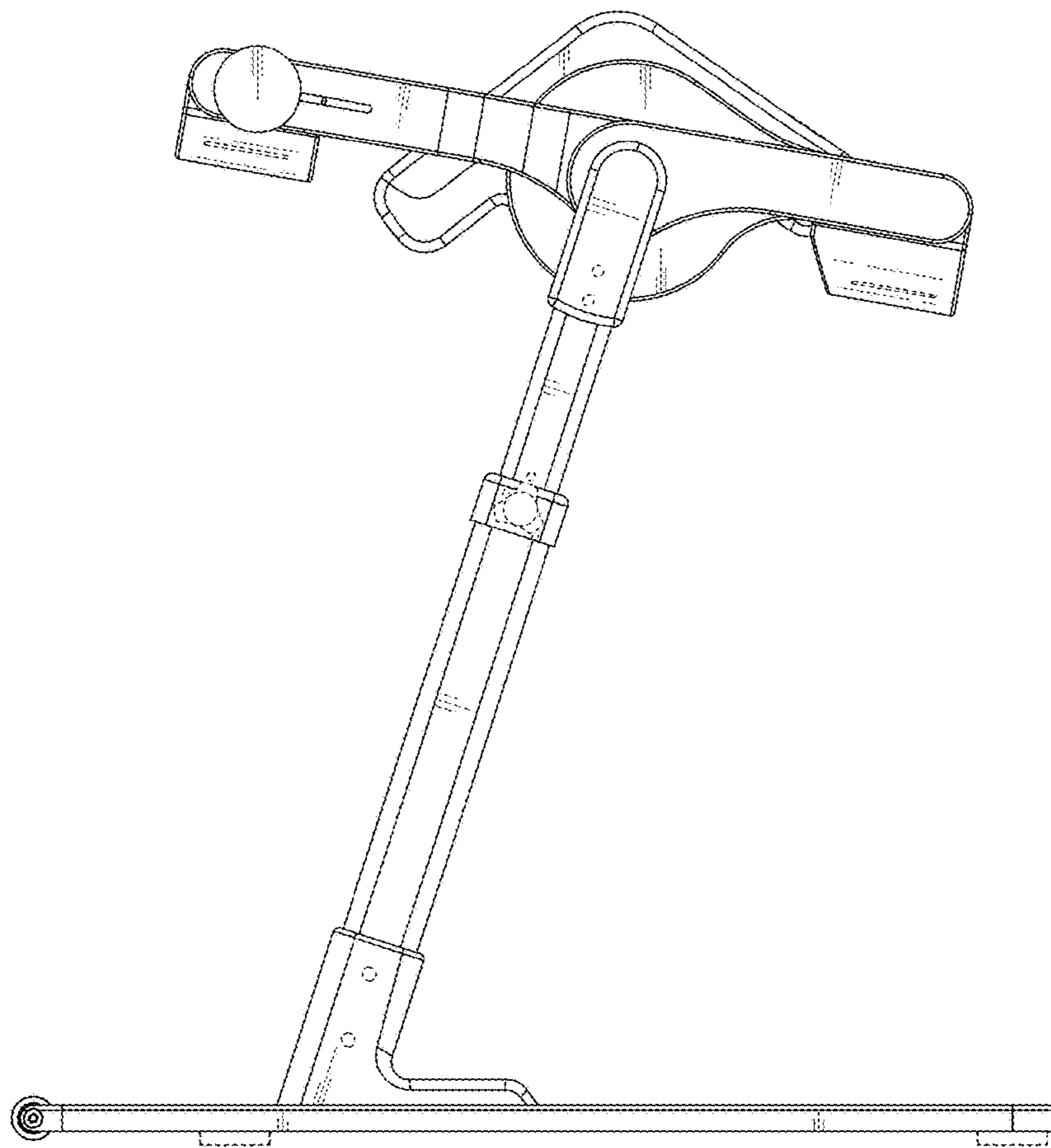


FIG. 5

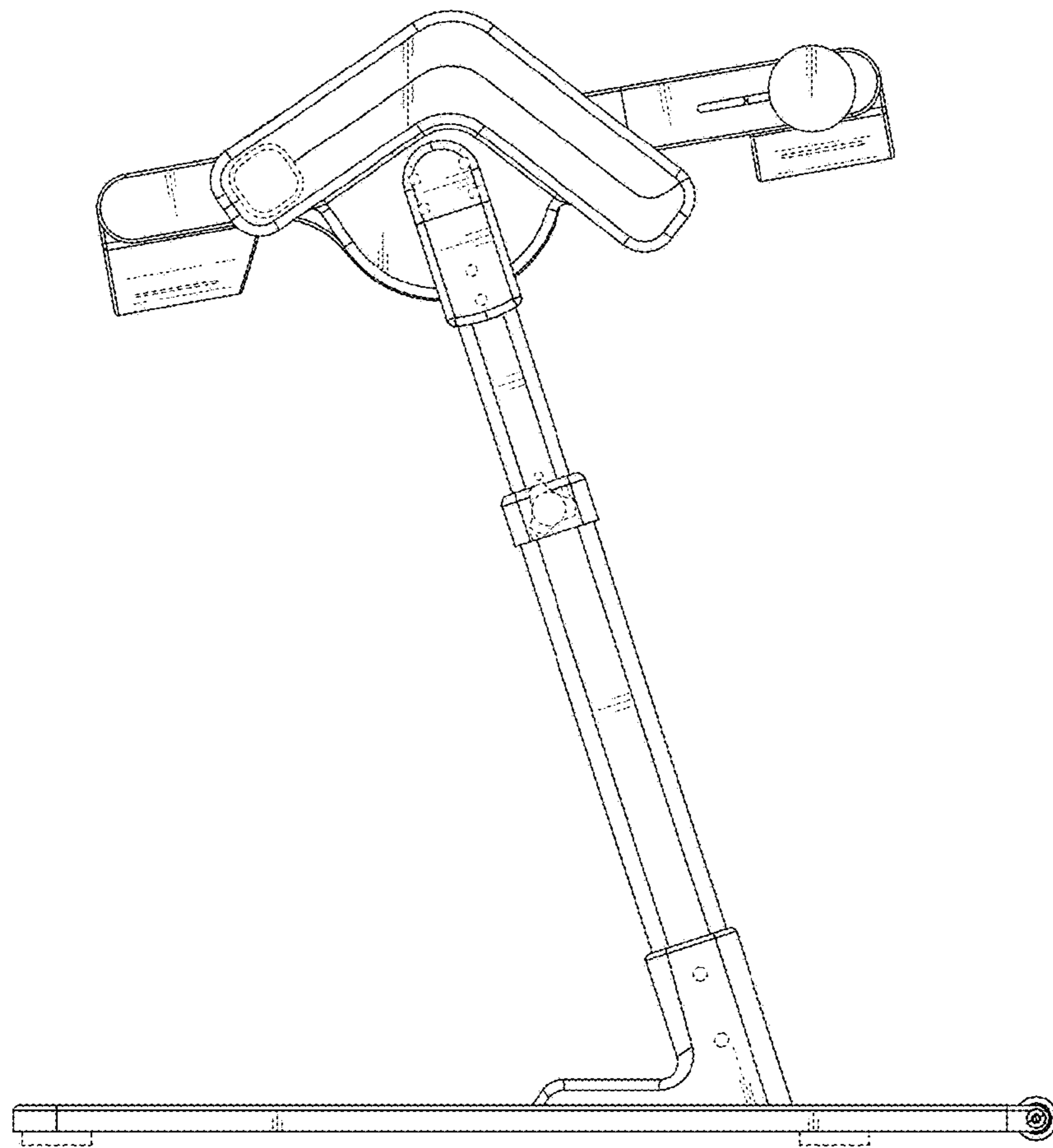


FIG. 6

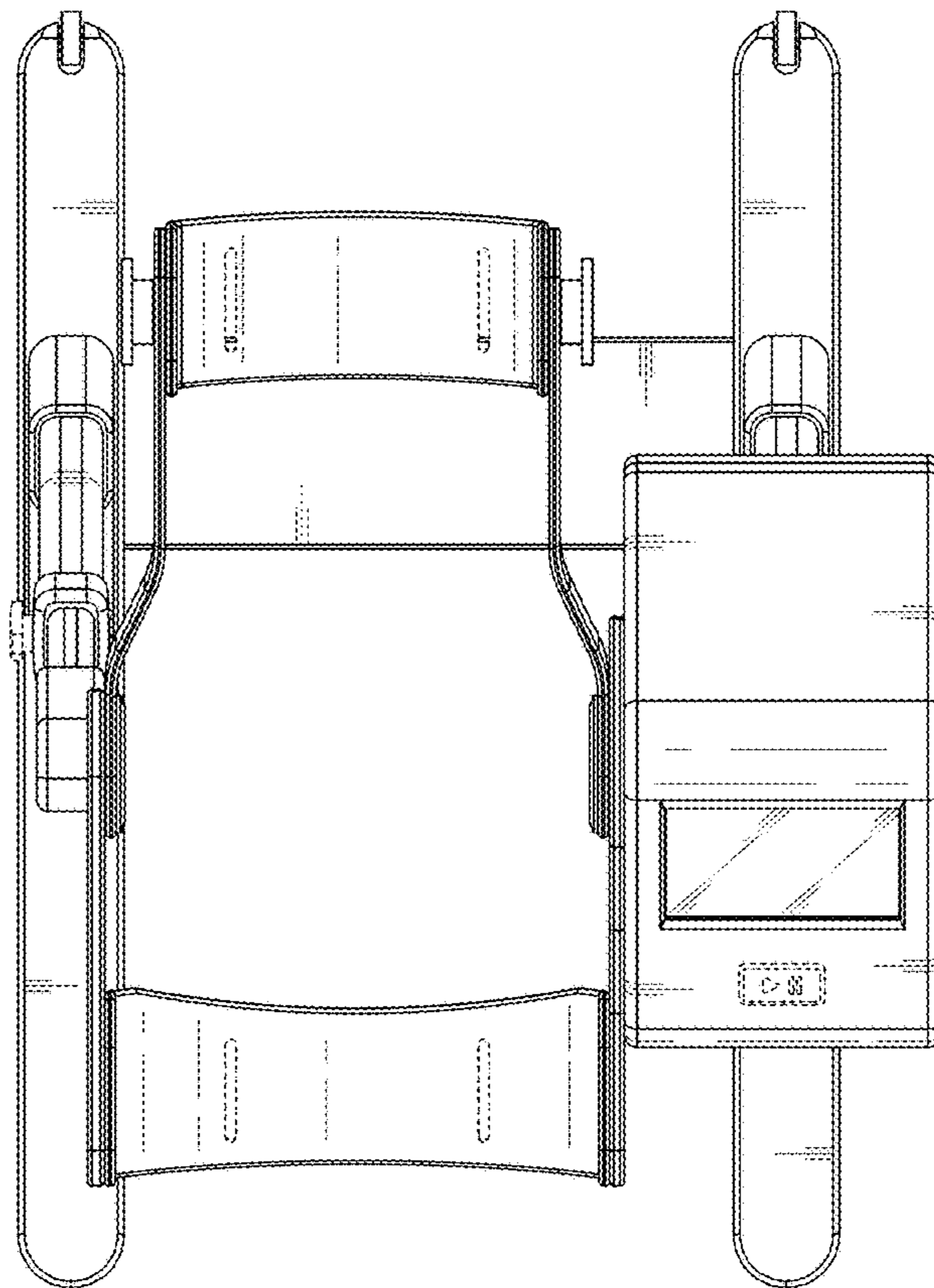


FIG. 7

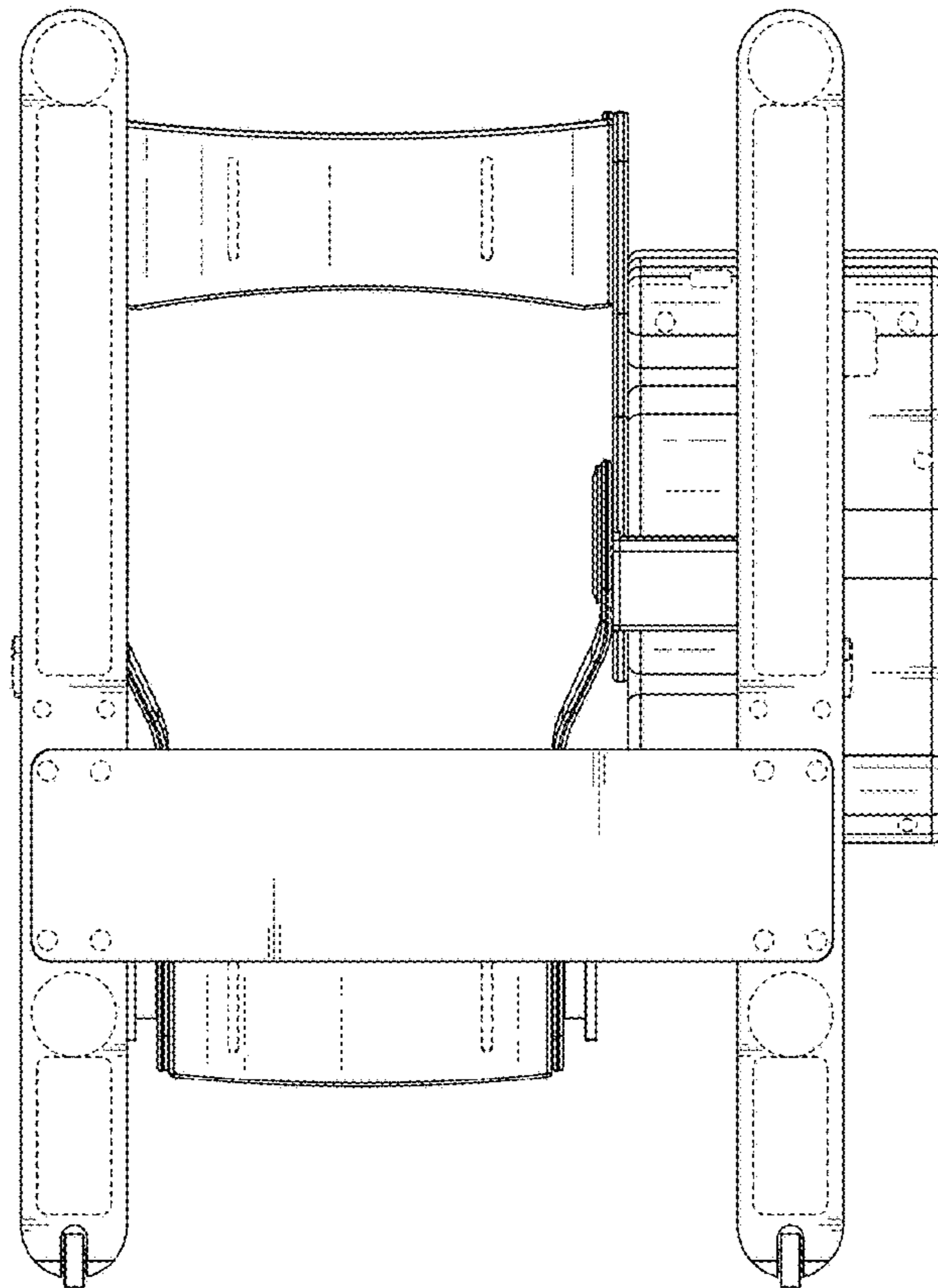


FIG. 8

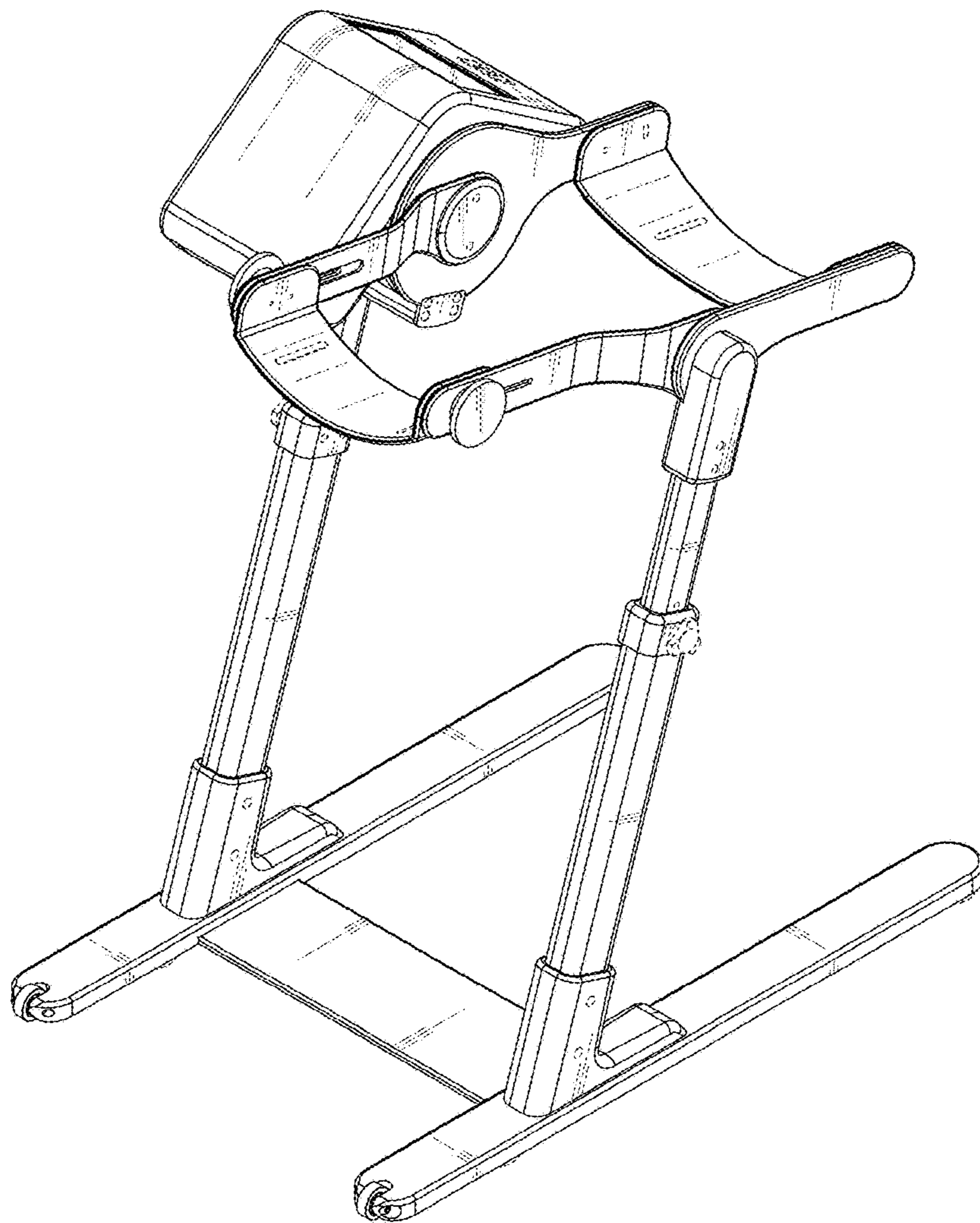


FIG. 9

