



US00D863557S

(12) **United States Design Patent**
Cheng et al.

(10) **Patent No.:** **US D863,557 S**

(45) **Date of Patent:** **** Oct. 15, 2019**

(54) **LENS FOR DIGITAL DIAGNOSTIC DEVICE**

(71) Applicant: **Medimaging Integrated Solution, Inc.**,
Hsinchu (TW)

(72) Inventors: **Chu-Ming Cheng**, Hsinchu (TW);
Long-Sheng Liao, Hsinchu (TW);
Kuo-Lang Huang, Hsinchu (TW);
Kuan-Pao Lu, Hsinchu (TW)

(73) Assignee: **MEDIMAGING INTEGRATED SOLUTION, INC.**, Hsinchu (TW)

(**) Term: **15 Years**

(21) Appl. No.: **29/597,908**

(22) Filed: **Mar. 21, 2017**

(51) **LOC (12) Cl.** **24-02**

(52) **U.S. Cl.**
USPC **D24/172**

(58) **Field of Classification Search**
USPC D24/172, 128, 186, 158, 137, 160;
D16/136; D15/140; D14/227; D10/46
CPC G02B 6/4292; A61B 3/0075; A61B 3/032;
H04N 5/2256; H04N 9/3114
See application file for complete search history.

(56) **References Cited**

U.S. PATENT DOCUMENTS

2,481,582	A *	9/1949	Ellis	A61B 3/032
					351/201
4,187,005	A *	2/1980	Rosenberger	A61B 3/0075
					351/245
D360,465	S *	7/1995	Niven	D24/172
D369,112	S *	4/1996	Luce	D10/46
D392,388	S *	3/1998	Coons	D24/160
D566,838	S *	4/2008	Slawson	D24/137
D603,965	S *	11/2009	Verma	D24/158
D605,183	S *	12/2009	Fleischer	D14/227
D607,562	S *	1/2010	Heine	D24/137
D613,402	S *	4/2010	Roberts	D24/137

D659,840	S *	5/2012	Cheng	D24/137
D701,317	S *	3/2014	Takasu	D24/172
D753,748	S *	4/2016	Schneider	D15/140
9,304,271	B2 *	4/2016	Dietrich	G02B 6/4292
D768,758	S *	10/2016	Wiley	D16/136
D775,356	S *	12/2016	Zhou	D24/172
D777,928	S *	1/2017	Culham	D24/172
D808,527	S *	1/2018	Wing	D24/158
D816,218	S *	4/2018	Kambe	D24/137
D827,839	S *	9/2018	Vogel	D24/186

(Continued)

Primary Examiner — Rhea Shields

(74) *Attorney, Agent, or Firm* — Muncy, Geissler, Olds & Lowe, P.C.

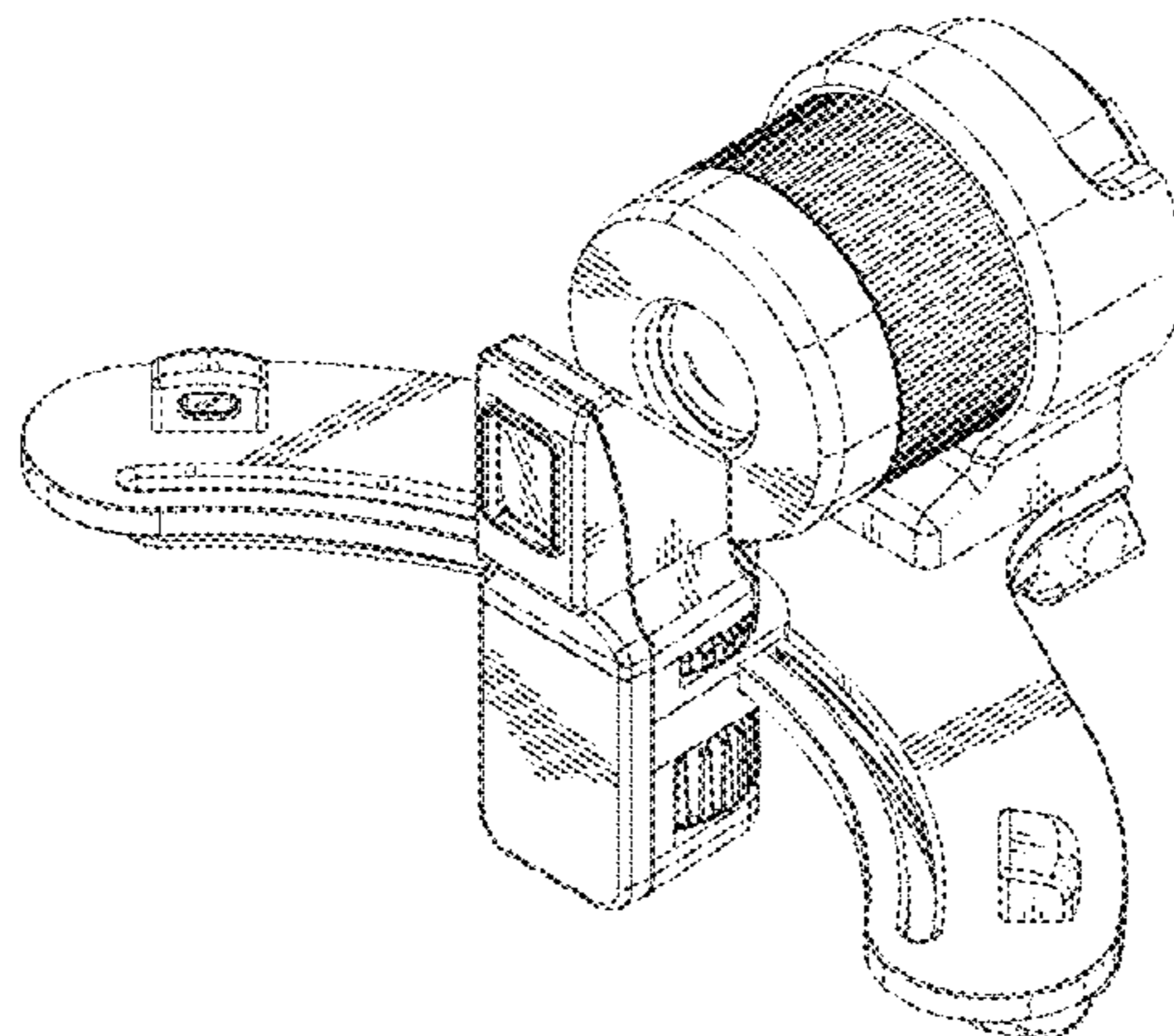
(57) **CLAIM**

The ornamental design for a lens for digital diagnostic device, as shown and described.

DESCRIPTION

FIG. 1 is a perspective view of a lens for digital diagnostic device showing the new design;
 FIG. 2 is a front view thereof;
 FIG. 3 is a rear view thereof;
 FIG. 4 is a left side view thereof;
 FIG. 5 is a right side view thereof;
 FIG. 6 is a top view thereof;
 FIG. 7 is a bottom view thereof;
 FIG. 8 is a perspective front view thereof; and shown in an alternate position,
 FIG. 9 is a perspective front view thereof, shown in an environment;
 FIG. 10 is a perspective front view thereof, shown in an environment; and,
 FIG. 11 is another perspective view of the lens for digital diagnostic device from the rear side.
 In the drawings, the broken lines are for the purpose of illustrating environment only and form no part of the claimed design.

1 Claim, 11 Drawing Sheets



(56)

References Cited

U.S. PATENT DOCUMENTS

D828,920 S * 9/2018 Koehler D24/128
2006/0158898 A1* 7/2006 Cheng H04N 9/3114
362/583
2016/0241757 A1* 8/2016 Cheng H04N 5/2256

* cited by examiner

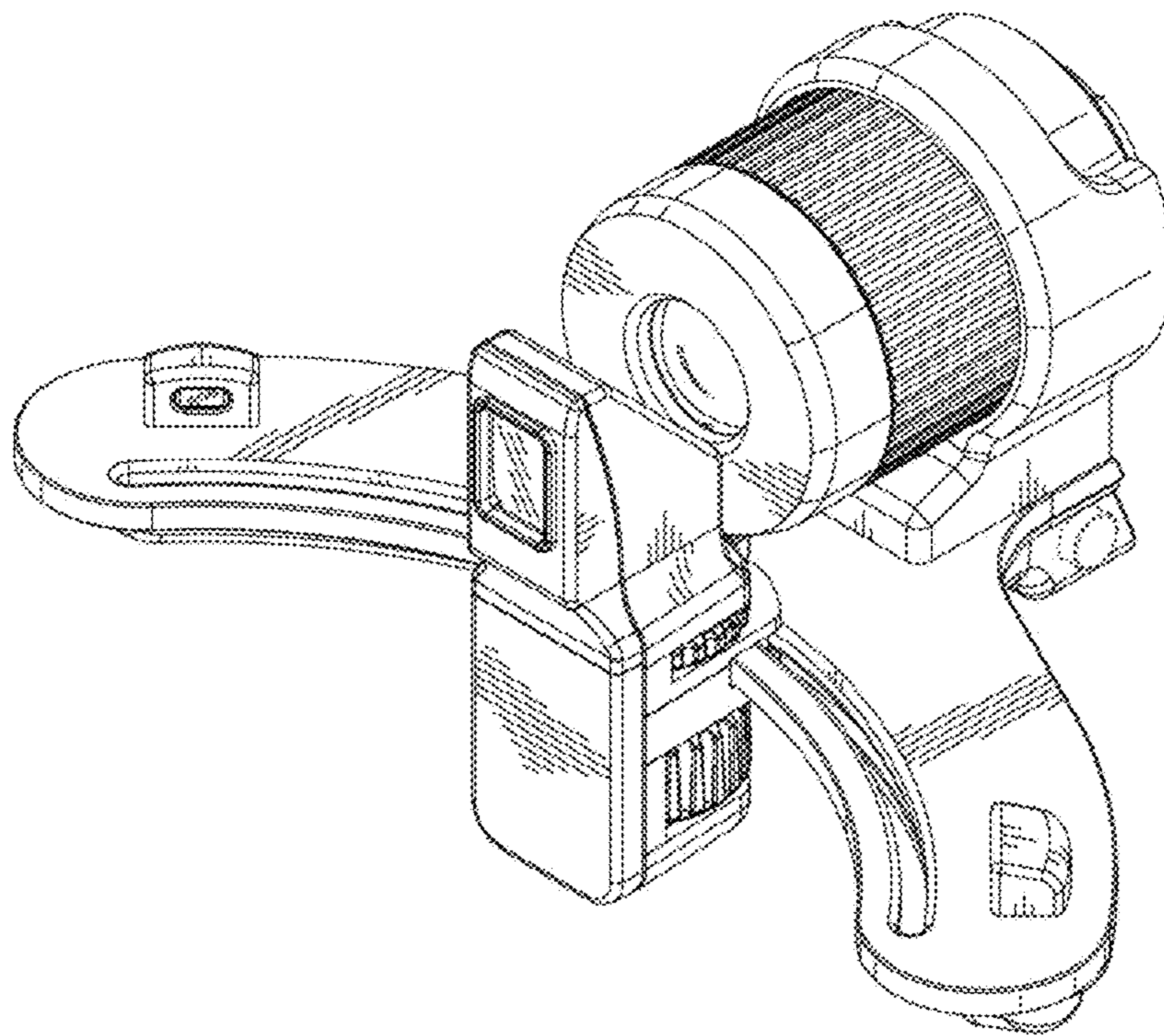


FIG.1

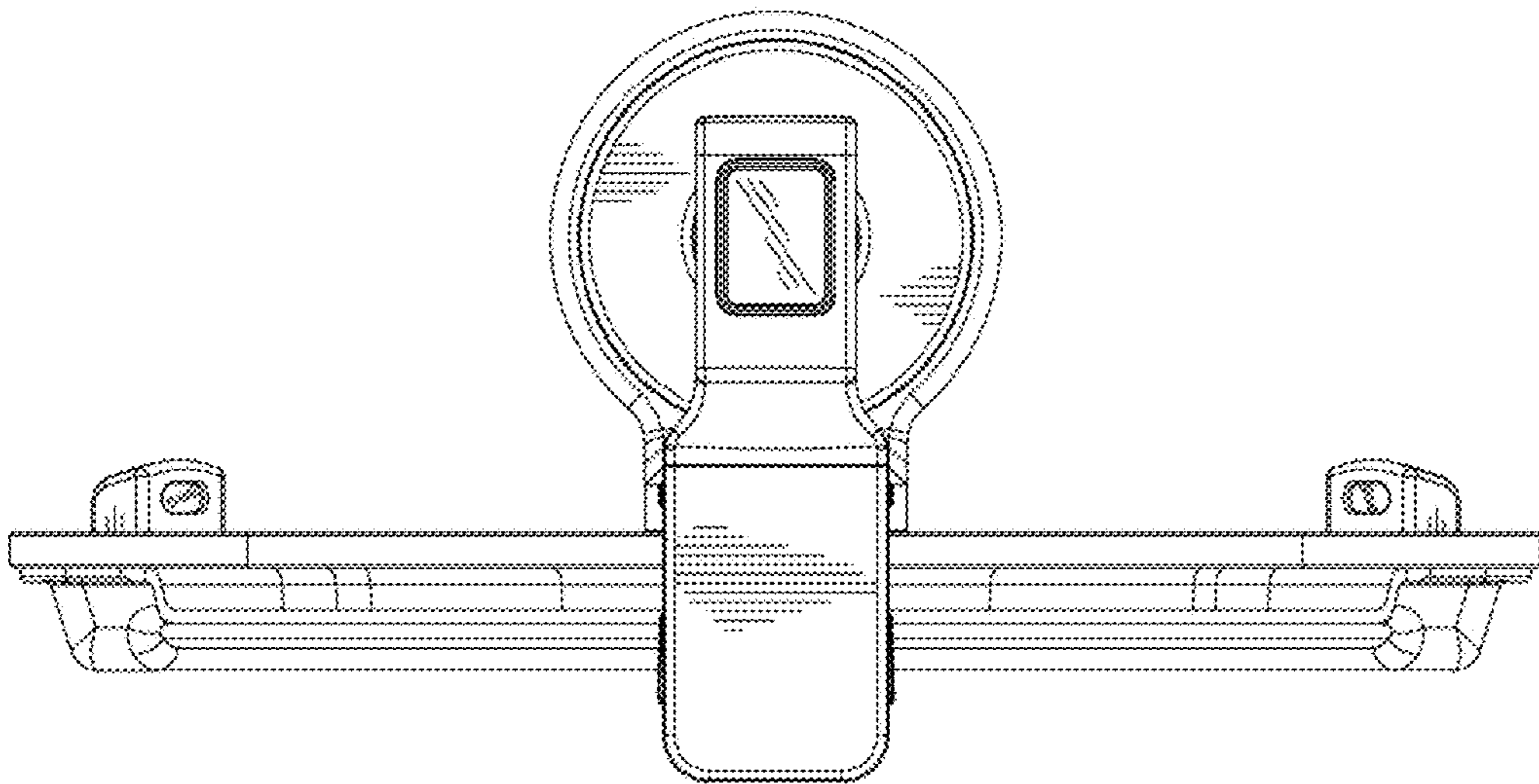


FIG.2

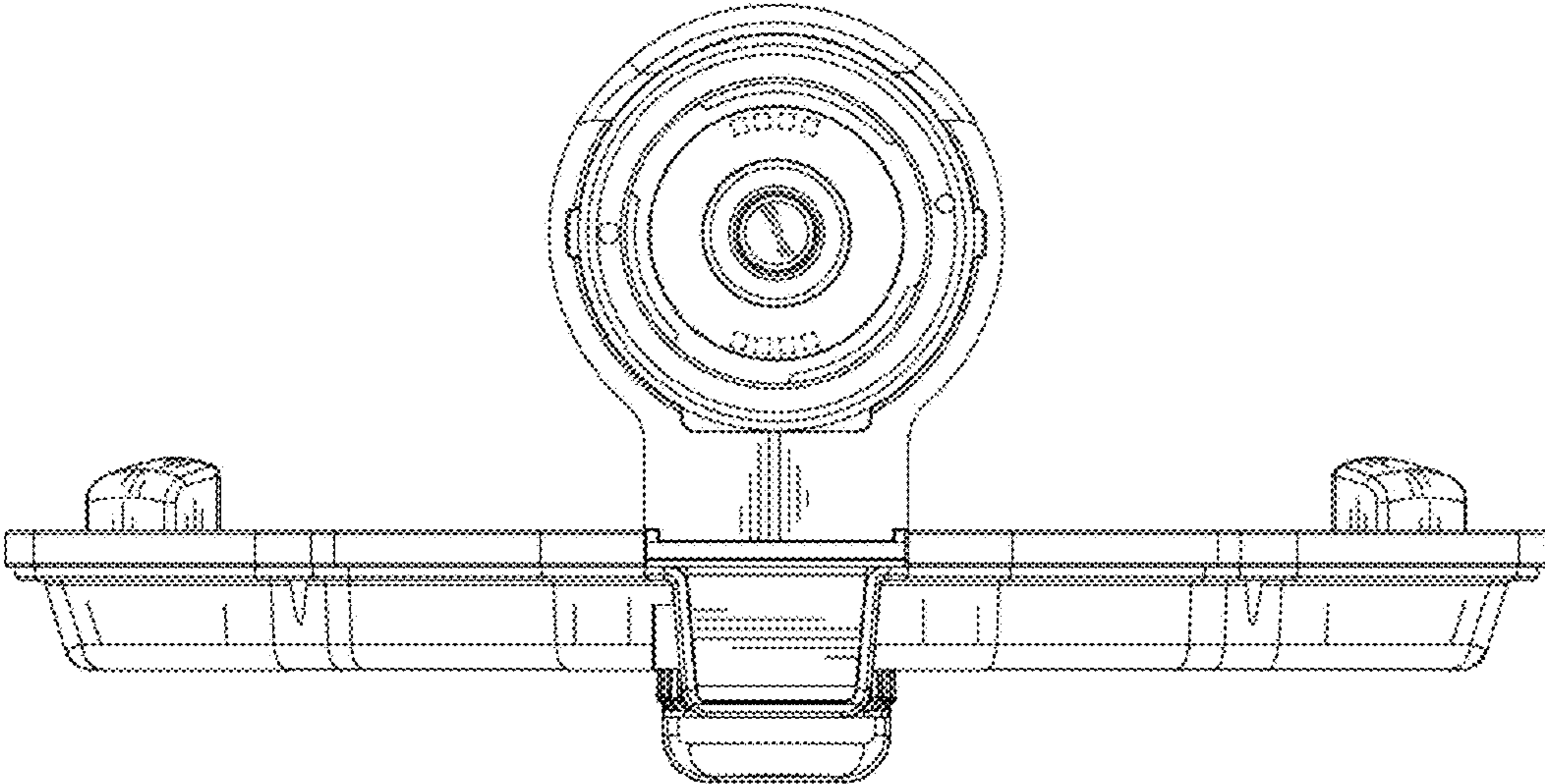


FIG.3

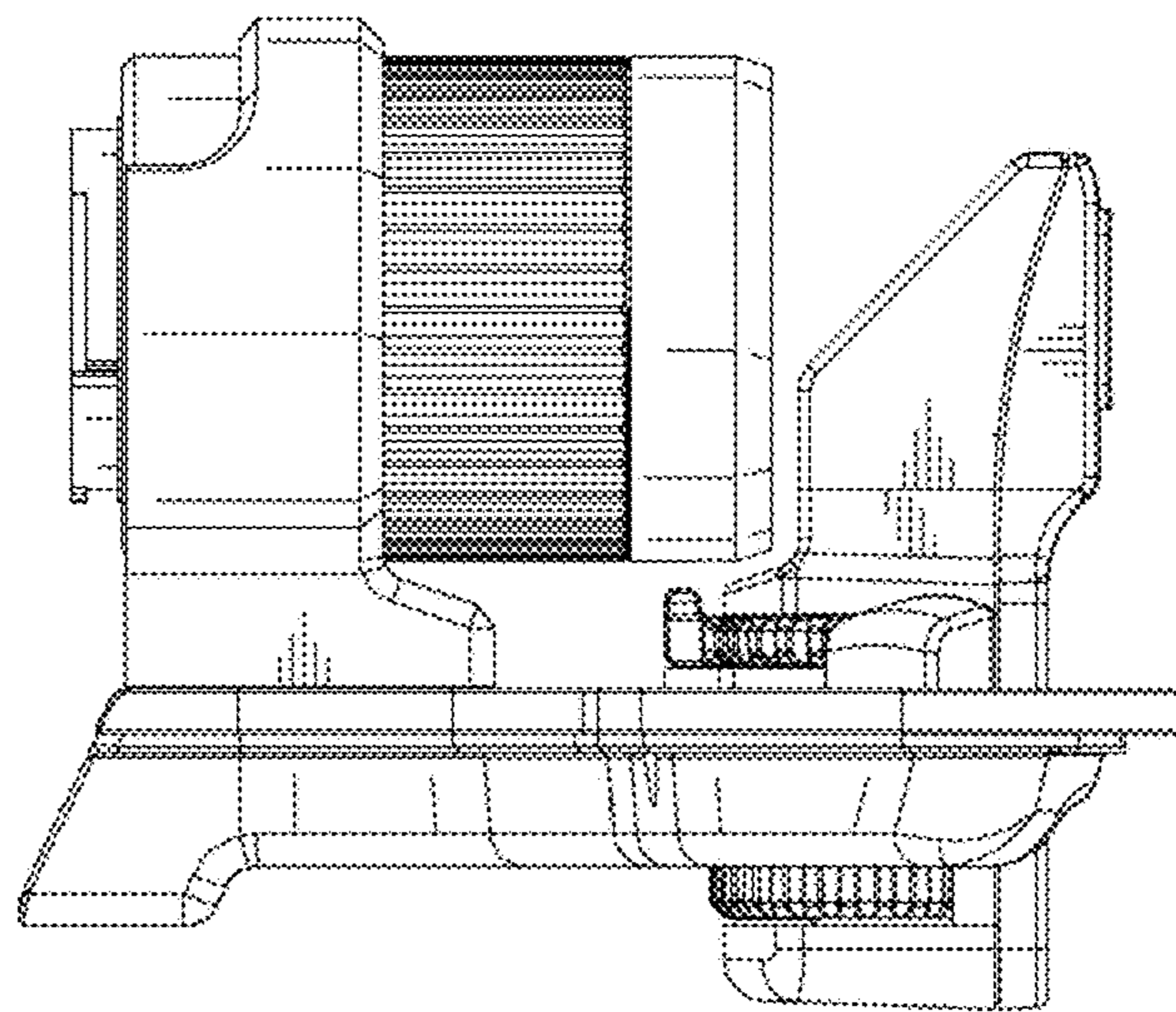


FIG.4

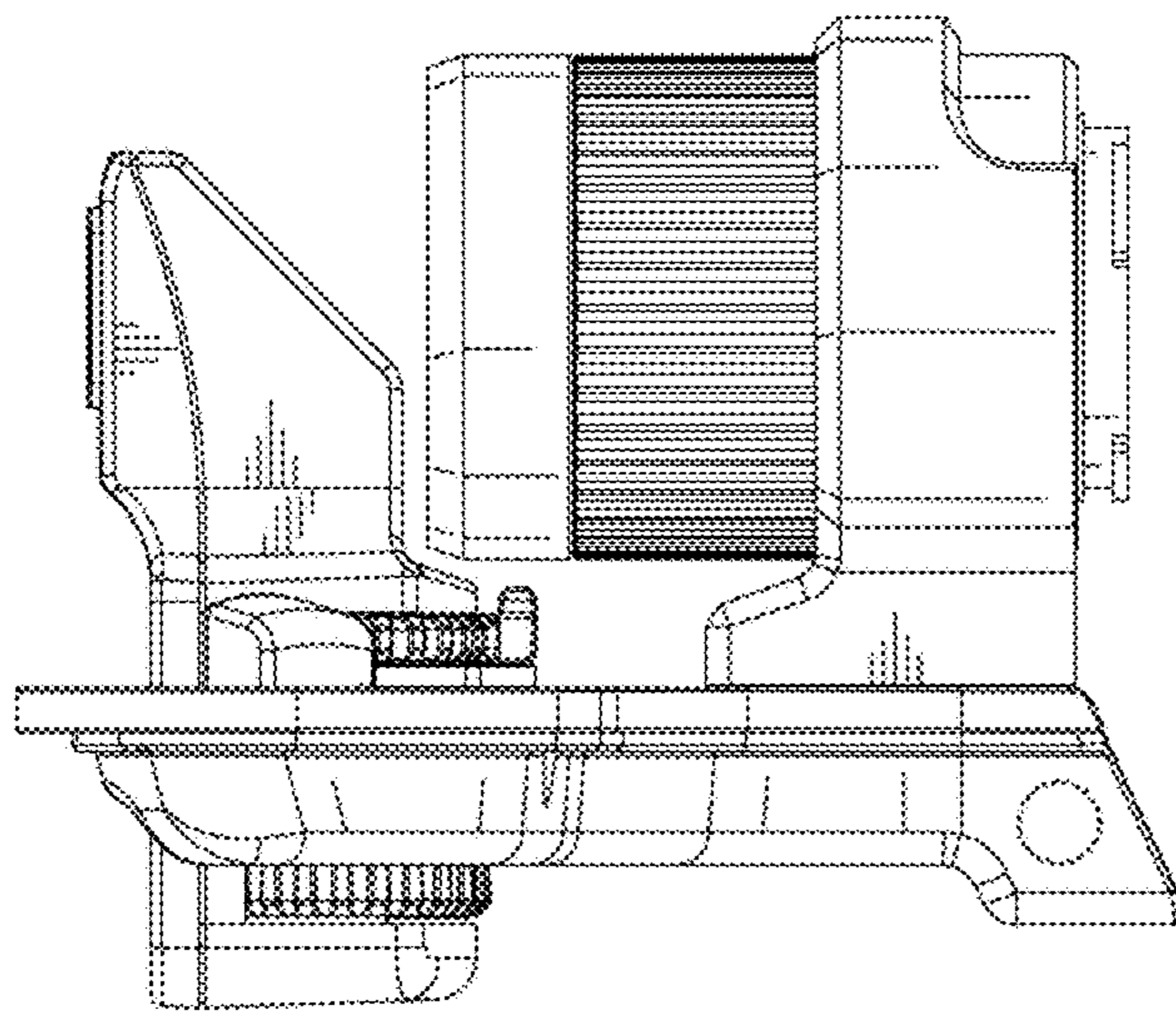


FIG.5

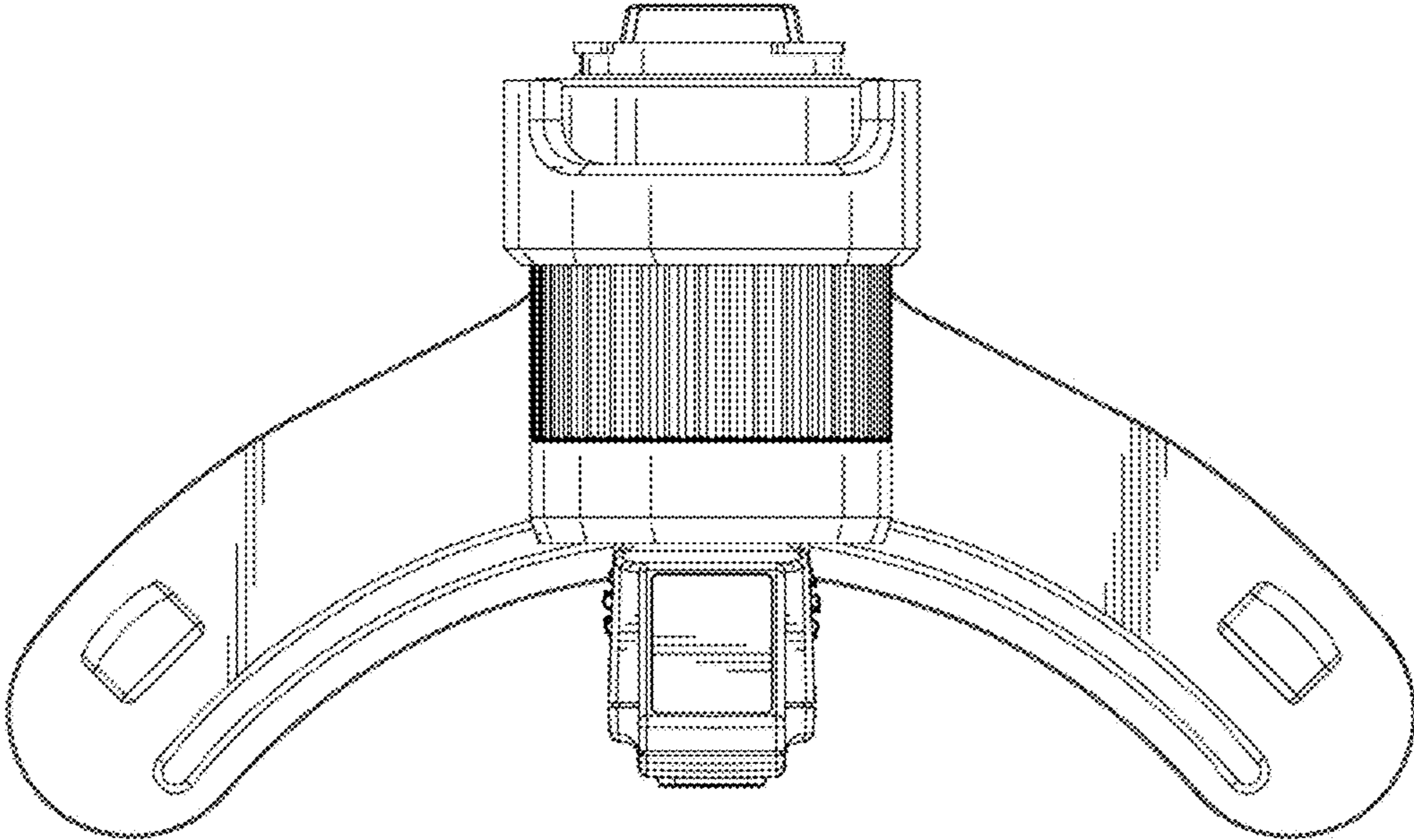


FIG.6

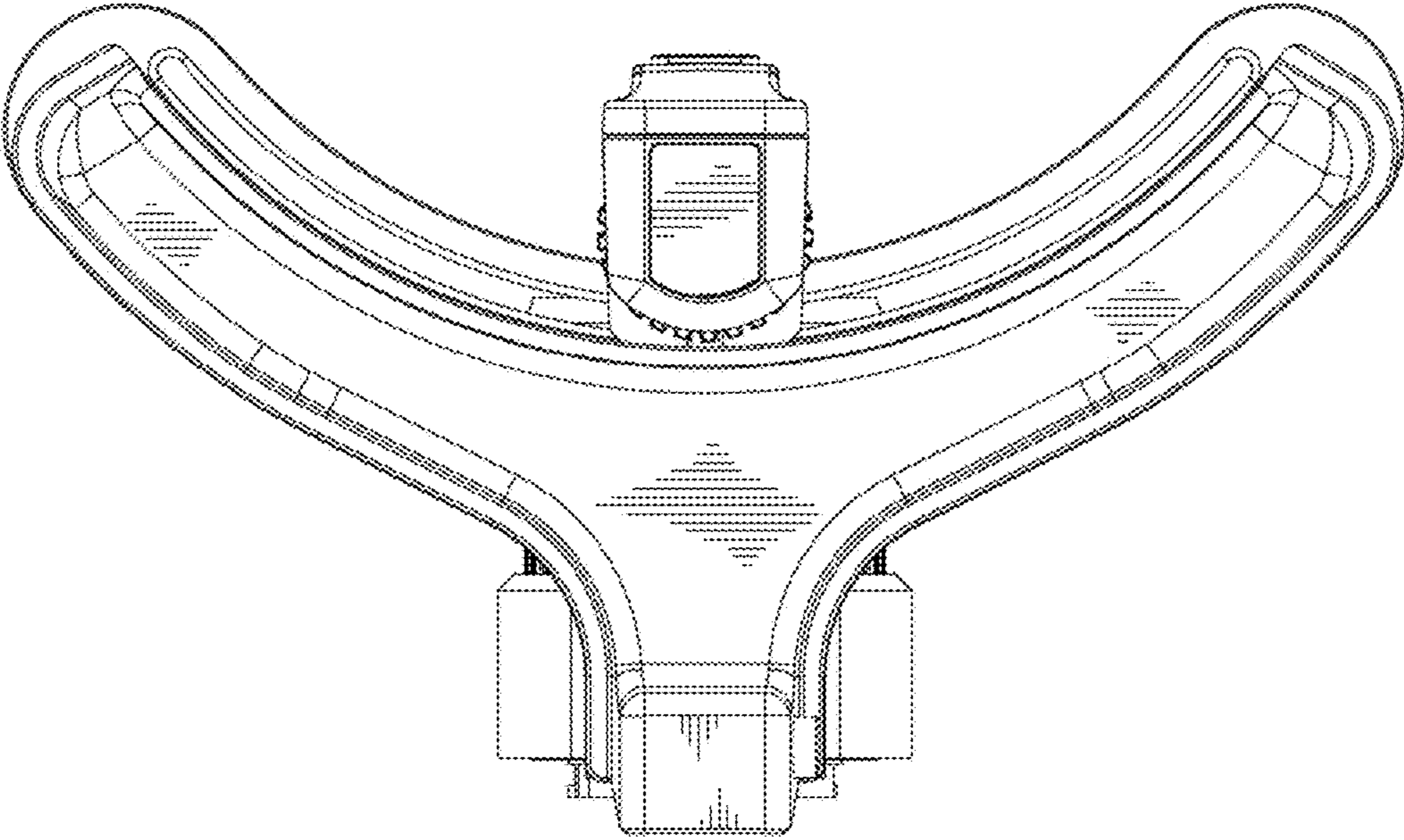


FIG.7

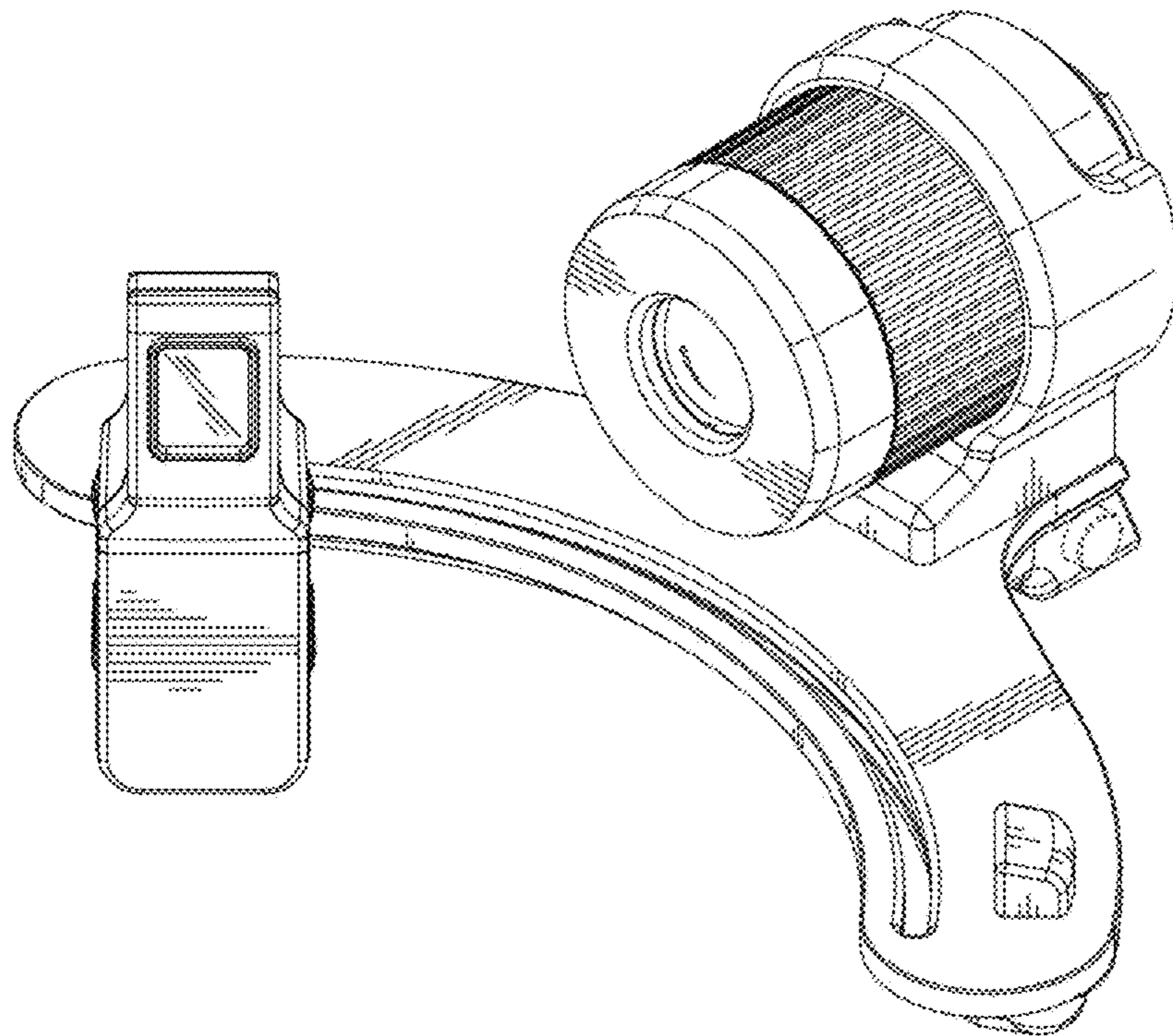


FIG.8

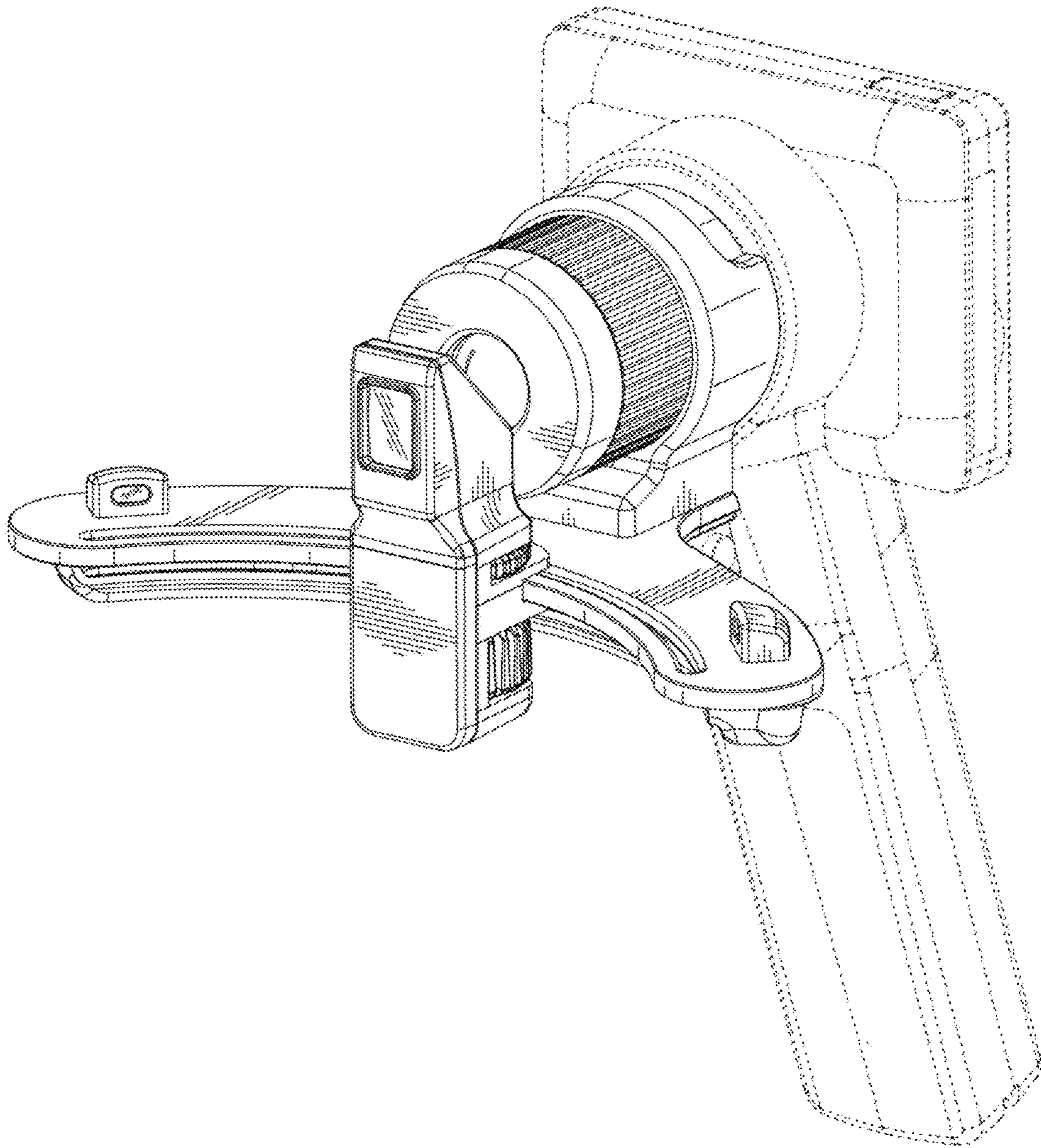


FIG.9

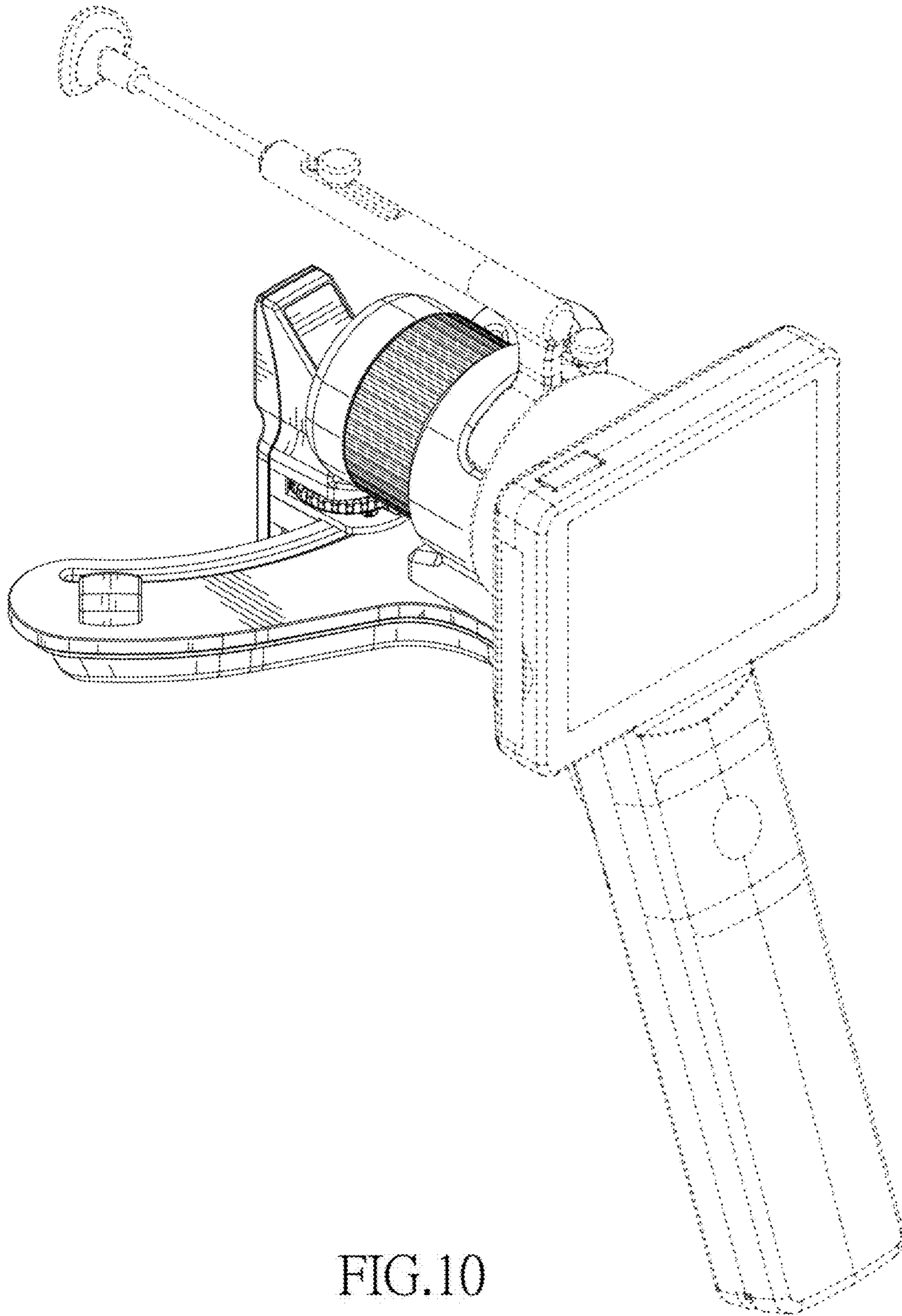


FIG. 10

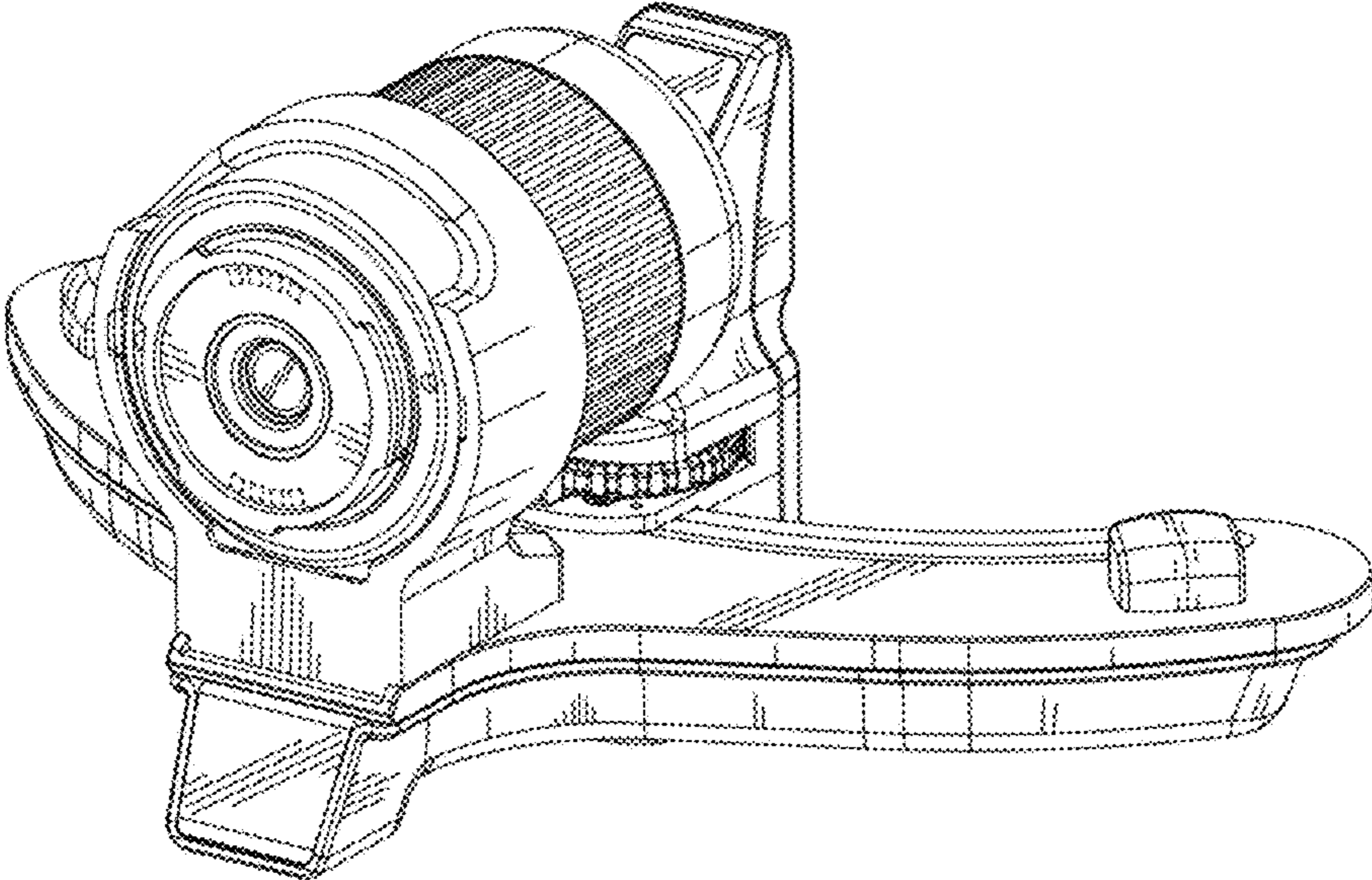


FIG.11