



US00D863553S

(12) **United States Design Patent** (10) **Patent No.:** **US D863,553 S**  
**Coulson et al.** (45) **Date of Patent:** **\*\* Oct. 15, 2019**

(54) **ELECTROSURGICAL JAWS**  
(71) Applicant: **COVIDIEN LP**, Mansfield, MA (US)  
(72) Inventors: **Rebecca J. Coulson**, Lyons, CO (US);  
**Robert F. McCullough, Jr.**, Boulder,  
CO (US); **Gregory W. Fischvogt**,  
Denver, CO (US); **Amanda H.**  
**Lennartz**, Erie, CO (US); **Kenlyn S.**  
**Bonn**, Lakewood, CO (US)  
(73) Assignee: **COVIDIEN LP**, Mansfield, MA (US)  
(\*\*) Term: **15 Years**  
(21) Appl. No.: **29/666,822**  
(22) Filed: **Oct. 16, 2018**

5,569,299 A 10/1996 Dill et al.  
5,766,166 A \* 6/1998 Hooven ..... A61B 18/1445  
606/45  
5,865,835 A 2/1999 Lolagne  
6,001,120 A 12/1999 Levin  
6,206,904 B1 3/2001 Ouchi  
6,585,735 B1 7/2003 Frazier et al.  
6,773,434 B2 8/2004 Ciarrocca  
8,246,618 B2 8/2012 Bucciaglia et al.  
8,480,671 B2 7/2013 Mueller  
8,523,898 B2 9/2013 Bucciaglia et al.  
9,113,906 B2 8/2015 Mueller  
9,318,691 B2 \* 4/2016 Horner ..... A61B 18/1445  
9,333,004 B2 5/2016 Bruckler et al.  
D819,816 S \* 6/2018 Coulson ..... D24/144  
2002/0128682 A1 9/2002 Prestel et al.  
2003/0195498 A1 10/2003 Treat et al.  
2011/0295314 A1 12/2011 Staud

\* cited by examiner

*Primary Examiner* — Wan Laymon

**Related U.S. Application Data**

(62) Division of application No. 29/568,817, filed on Jun.  
21, 2016, now Pat. No. Des. 831,825.  
(51) **LOC (12) Cl.** ..... **24-02**  
(52) **U.S. Cl.**  
USPC ..... **D24/144**  
(58) **Field of Classification Search**  
USPC ..... D24/144, 146  
CPC . A61B 17/2909; A61B 17/285; A61B 17/295;  
A61B 2090/034; A61B 2017/2926; A61B  
2017/2938  
See application file for complete search history.

(57) **CLAIM**

The ornamental design for electrosurgical jaws, as shown  
and described.

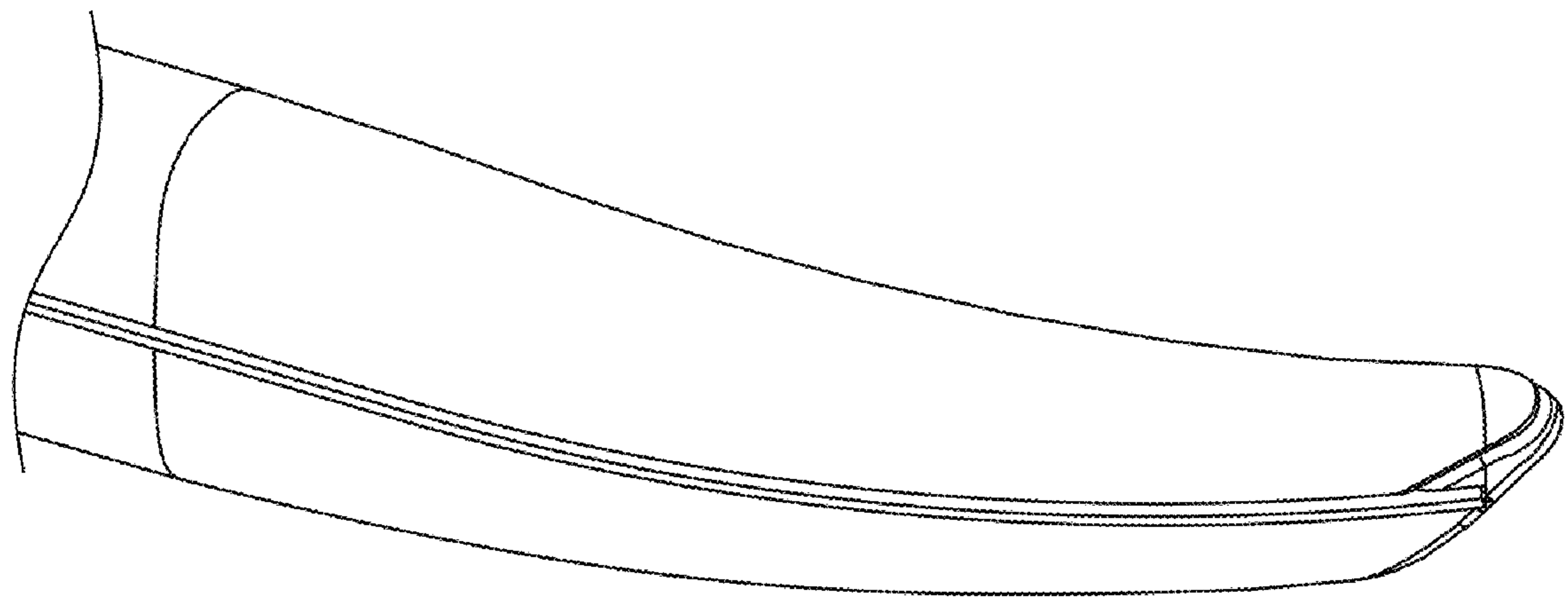
**DESCRIPTION**

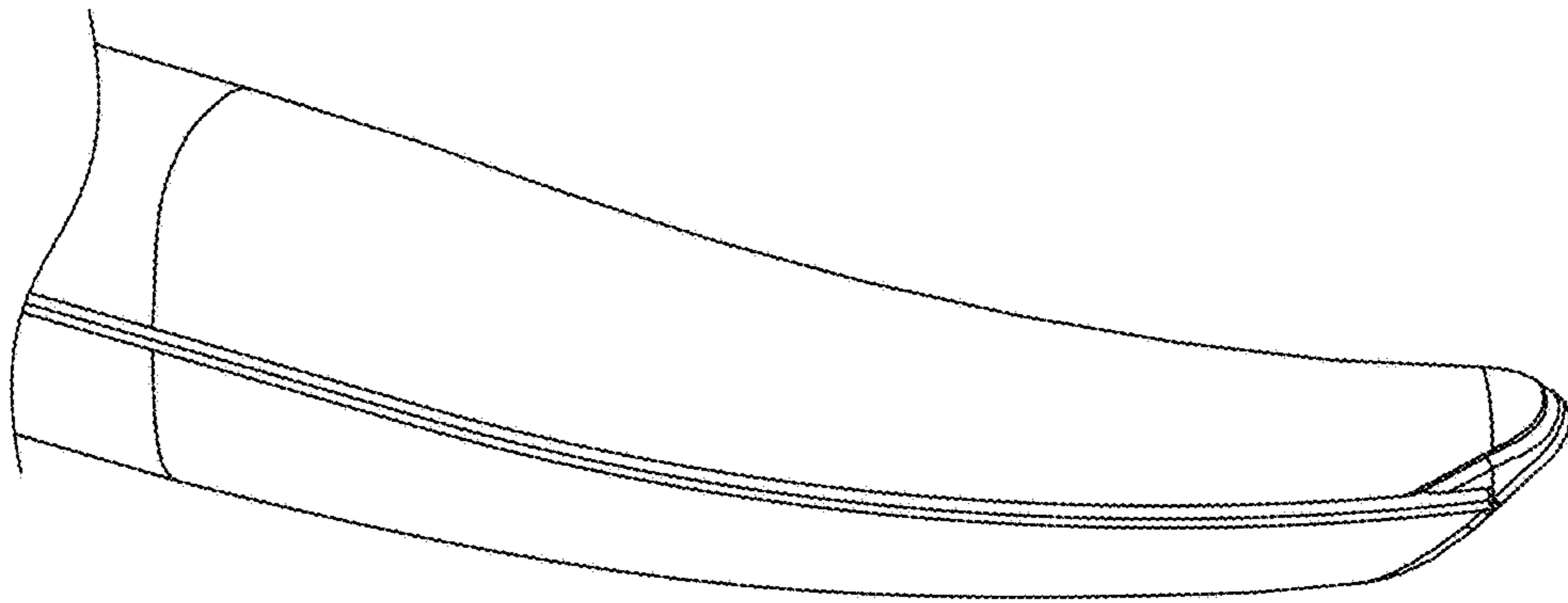
FIG. 1 is a right front perspective view of an electrosurgical  
jaws in accordance with the present design;  
FIG. 2 is a top view of the electrosurgical jaws of FIG. 1;  
FIG. 3 is a right side view of the electrosurgical jaws of FIG.  
1;  
FIG. 4 is a front end view of the electrosurgical jaws of FIG.  
1;  
FIG. 5 is a bottom view of the electrosurgical jaws of FIG.  
1; and,  
FIG. 6 is a left side view of the electrosurgical jaws of FIG.  
1.

(56) **References Cited**  
U.S. PATENT DOCUMENTS

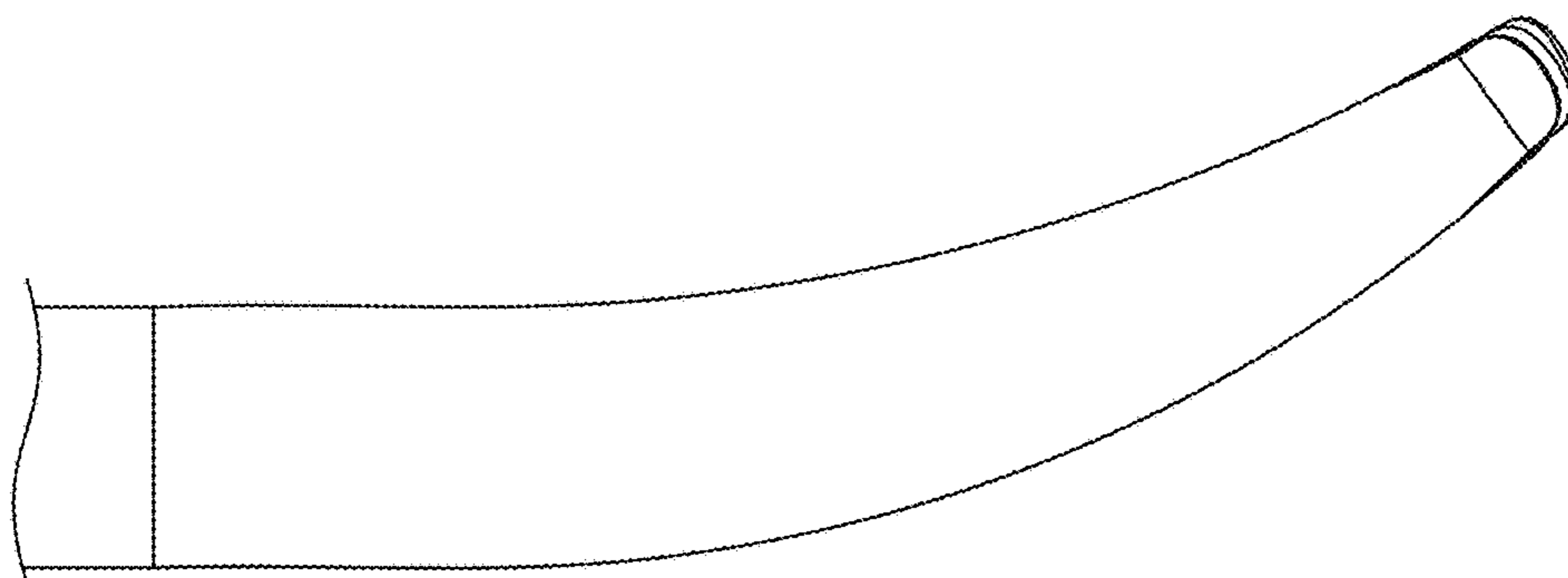
4,793,349 A 12/1988 Weinrib  
4,986,825 A 1/1991 Bays et al.  
5,507,772 A 4/1996 Shutt et al.

**1 Claim, 3 Drawing Sheets**

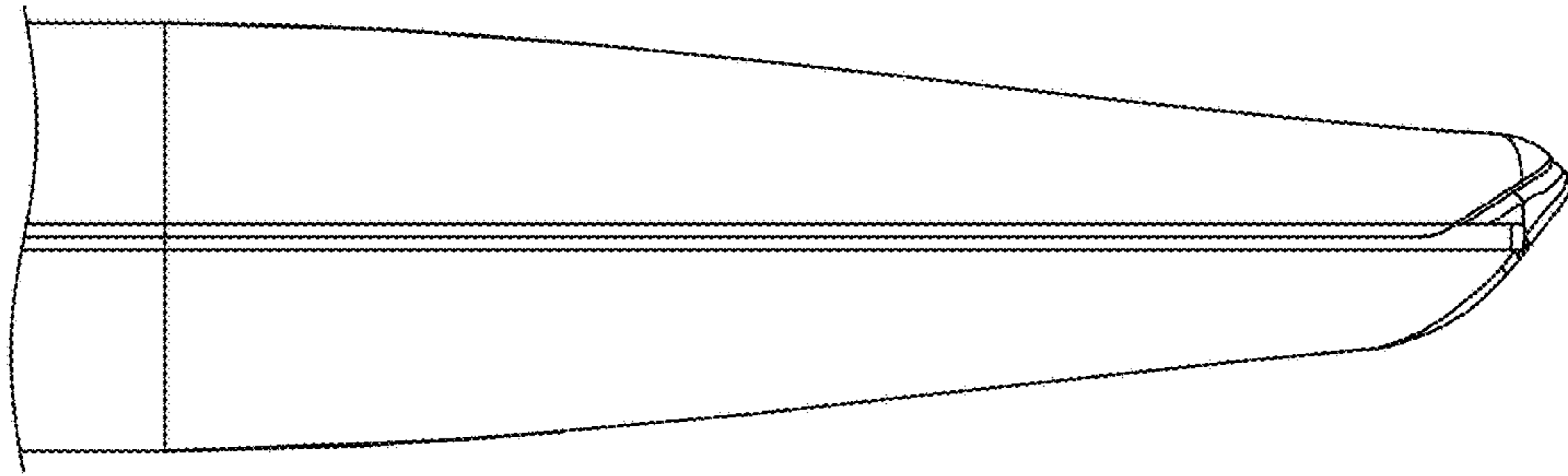




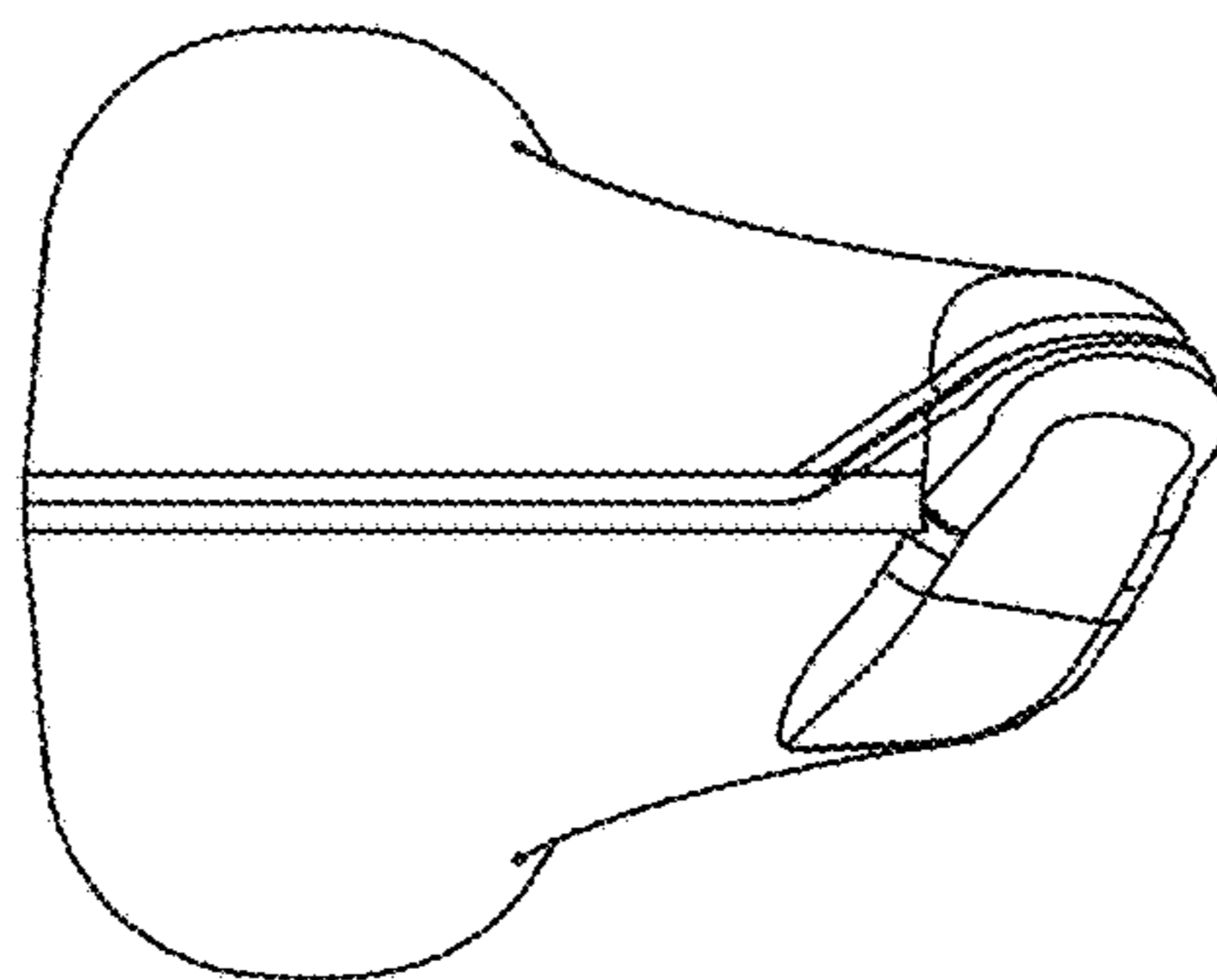
**FIG. 1**



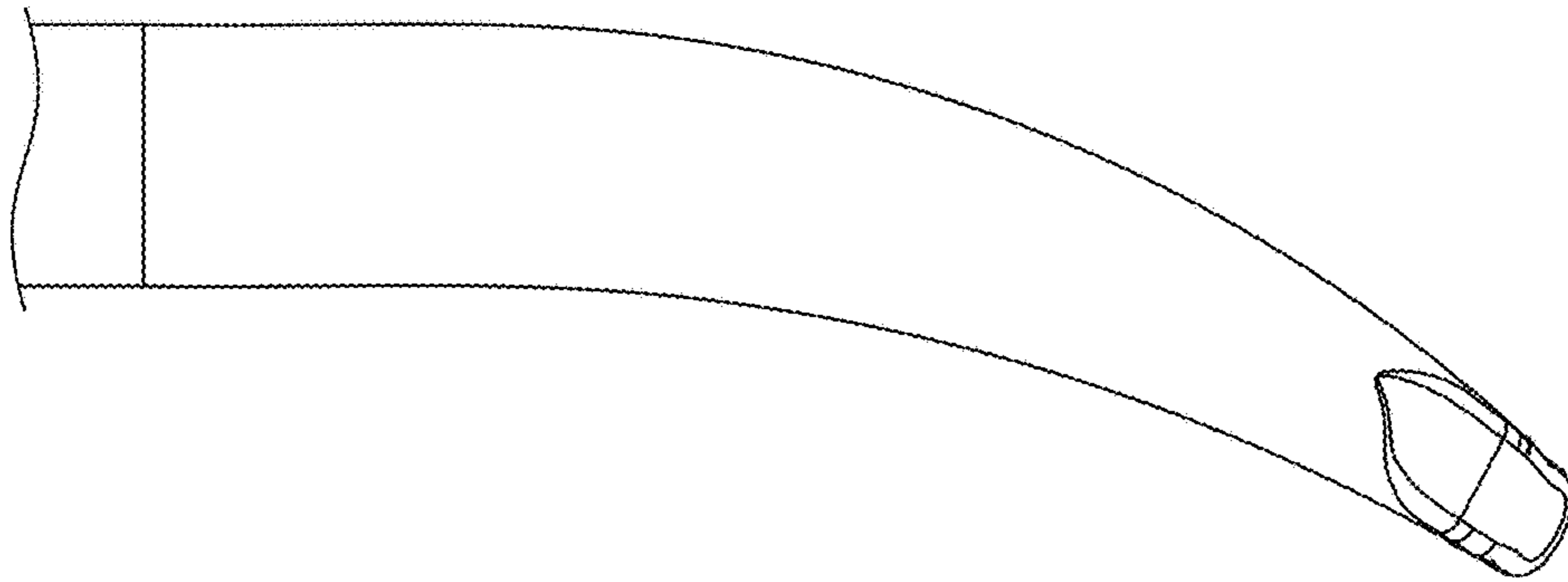
**FIG. 2**



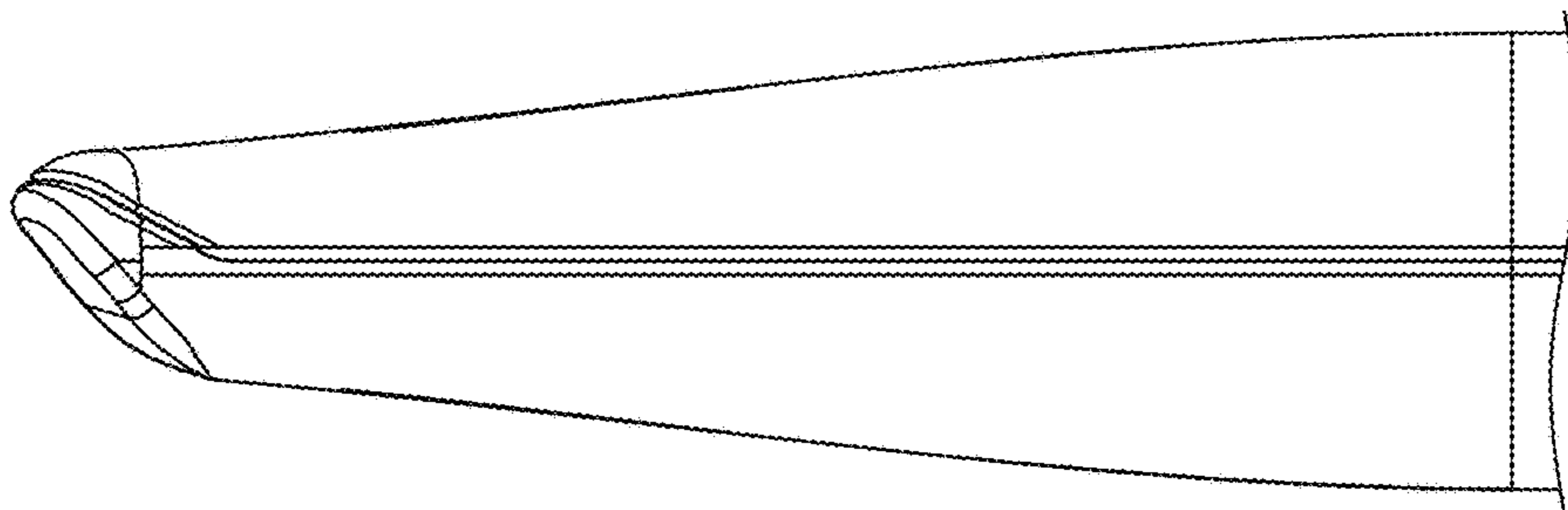
**FIG. 3**



**FIG. 4**



**FIG. 5**



**FIG. 6**