



US00D863551S

(12) **United States Design Patent** (10) **Patent No.:** **US D863,551 S**  
**Kucera** (45) **Date of Patent:** **\*\* Oct. 15, 2019**

(54) **TOOL FOR THE APPLICATION OF A SYRINGE**

(71) Applicant: **PROMOTON S.R.O.**, Plzen (CZ)

(72) Inventor: **Pavel Kucera**, Kolin (CZ)

(\*\*) Term: **15 Years**

(21) Appl. No.: **35/505,098**

(22) Filed: **Apr. 3, 2018**

(80) **Hague Agreement Data**

Int. Filing Date: **Apr. 3, 2018**

Int. Reg. No.: **DM/101368**

Int. Reg. Date: **Apr. 3, 2018**

Int. Reg. Pub. Date: **Jun. 8, 2018**

(30) **Foreign Application Priority Data**

Oct. 11, 2017 (EM) ..... 004396562-0001

(51) **LOC (12) Cl.** ..... **24-02**

(52) **U.S. Cl.**  
USPC ..... **D24/130**

(58) **Field of Classification Search**  
USPC ..... D24/130, 133, 114, 112, 128, 146, 198  
CPC ..... A61M 5/32  
See application file for complete search history.

(56) **References Cited**

**U.S. PATENT DOCUMENTS**

D196,615 S \* 10/1963 Trude ..... D21/604  
3,176,740 A \* 4/1965 Yohe, Jr. .... B65D 43/0212  
206/216

3,299,891 A \* 1/1967 Smeton ..... A61M 5/3129  
222/78  
D237,909 S \* 12/1975 Apilado ..... D24/198  
D283,346 S \* 4/1986 Chan ..... D24/198  
9,174,026 B1 \* 11/2015 Hughes ..... A61M 25/02  
9,427,674 B2 \* 8/2016 Oi ..... F16B 2/22  
2006/0089077 A1 \* 4/2006 Wittschen ..... A61J 7/0053  
446/77  
2017/0361026 A1 \* 12/2017 Eldawud ..... A61M 5/32

\* cited by examiner

*Primary Examiner* — Eliza A Bennett-Hattan

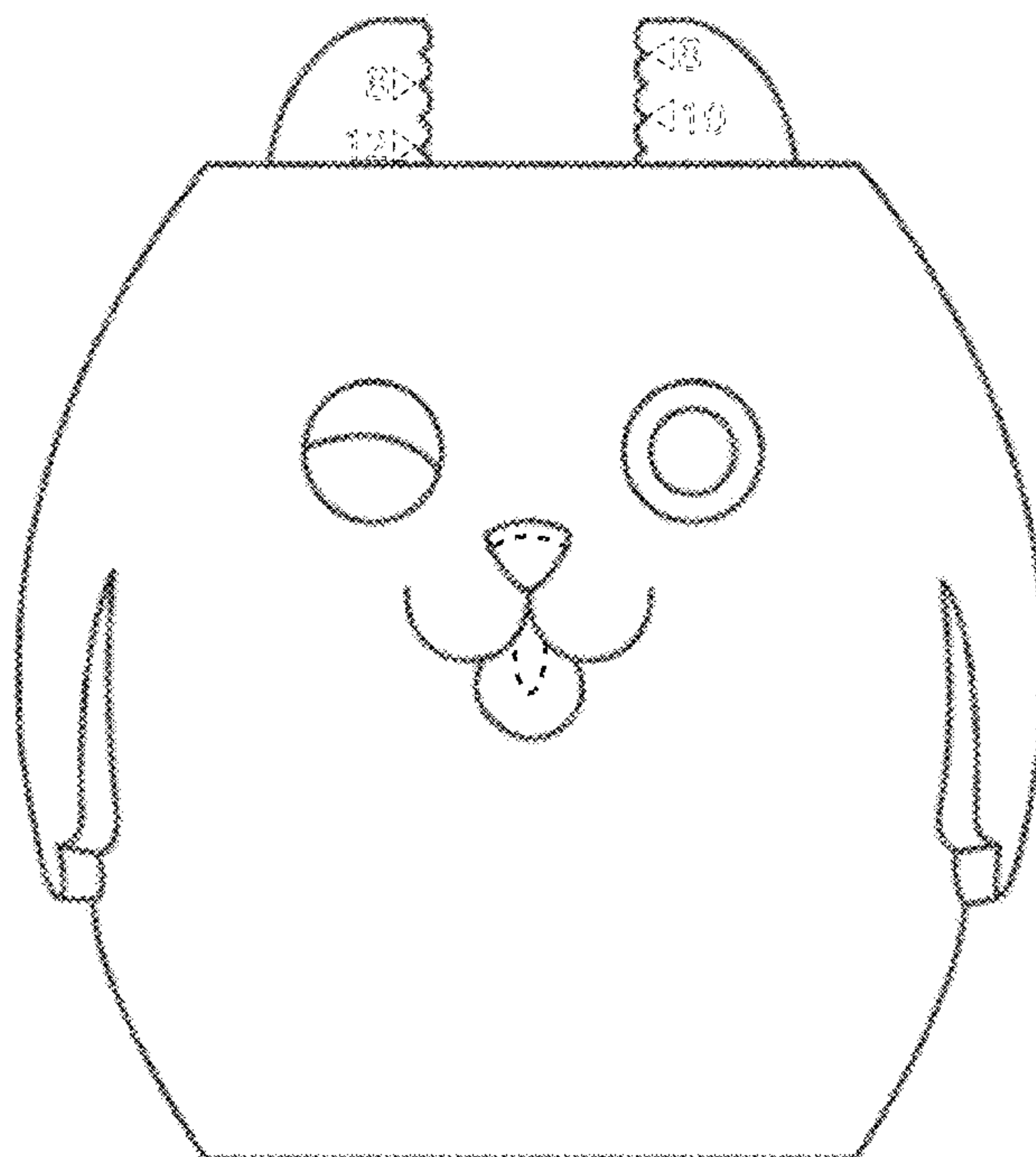
(57) **CLAIM**

The ornamental design for a tool for the application of a syringe, as shown and described.

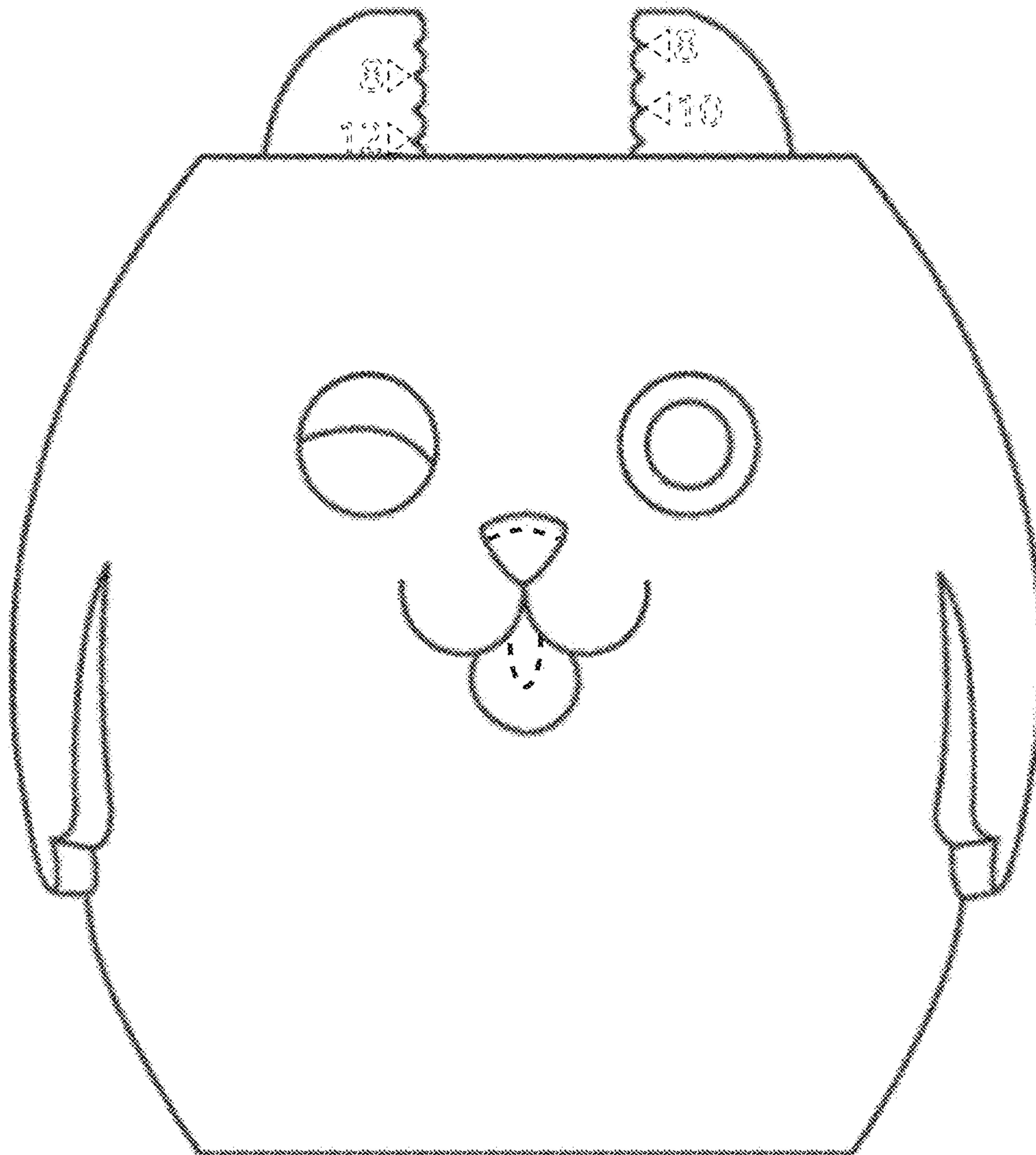
**DESCRIPTION**

Figure 1.1 is a front view of a tool for the application of a syringe;  
Figure 1.2 is a left side view thereof;  
Figure 1.3 is a bottom side view thereof;  
Figure 1.4 is a right view thereof;  
Figure 1.5 is a top view thereof;  
Figure 1.6 is a back view thereof.  
The broken lines shown in the figures are for the purpose of illustrating structure that forms no part of the claimed design.

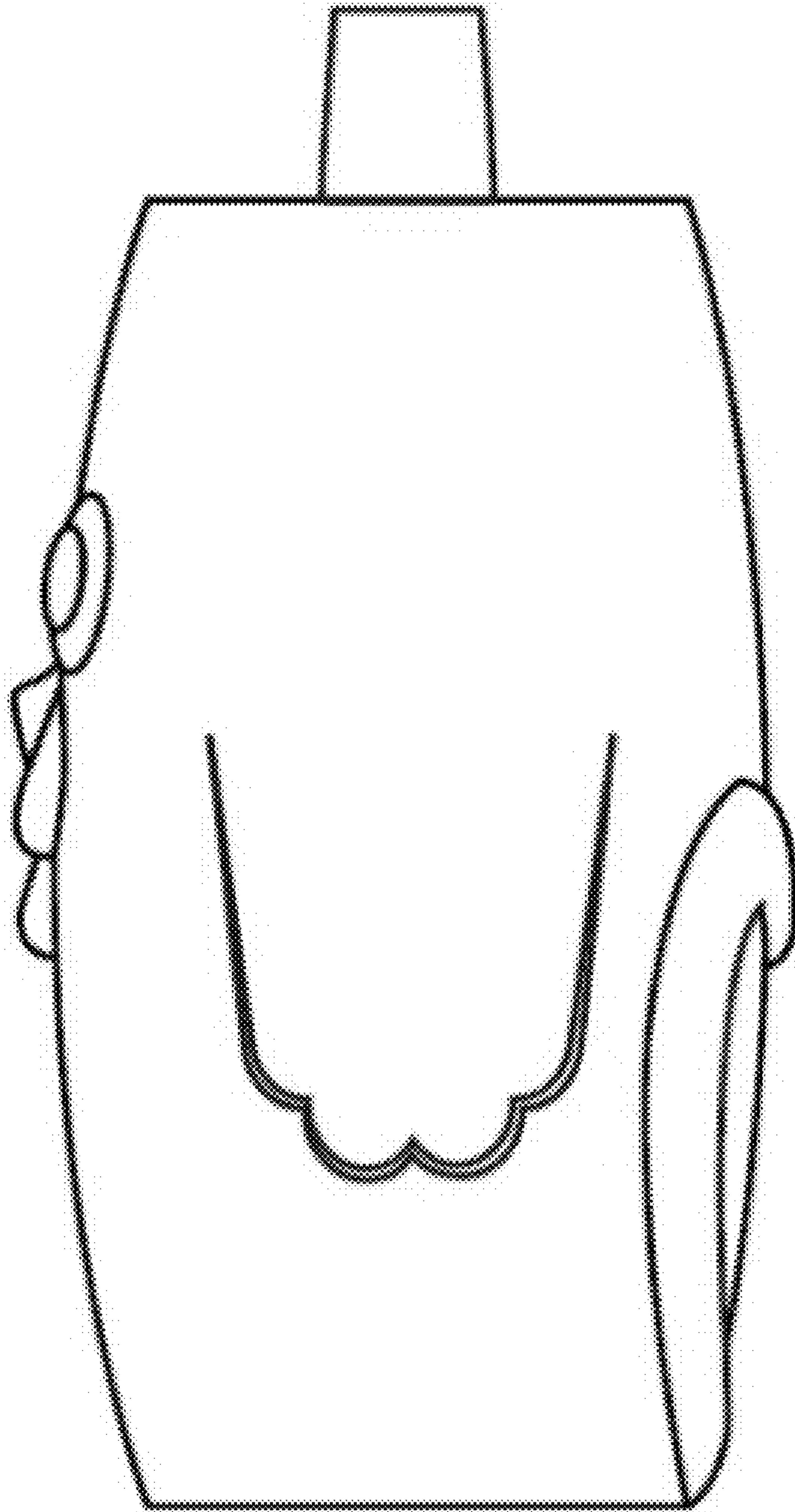
**1 Claim, 6 Drawing Sheets**



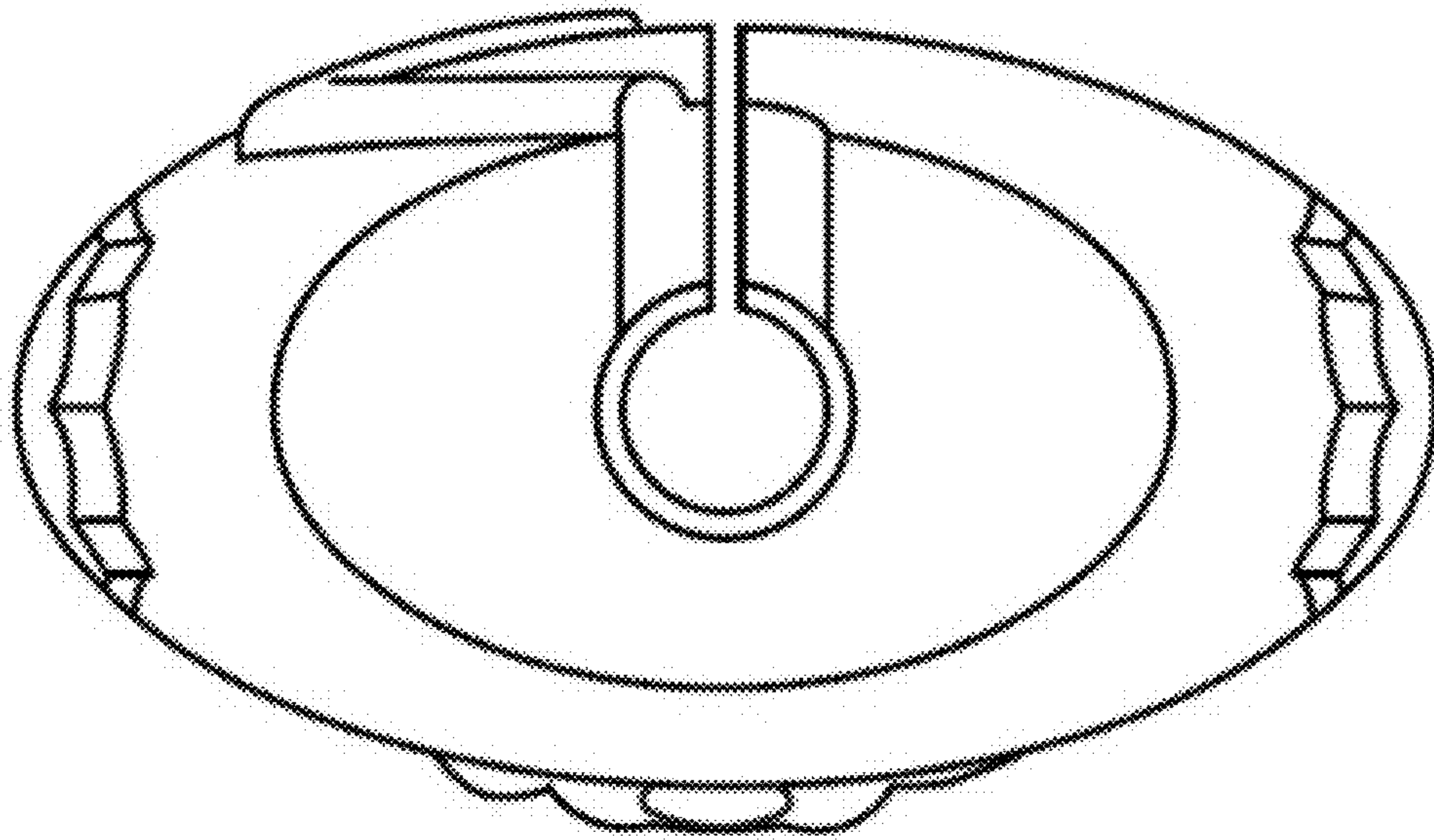
1.1



# 1.2

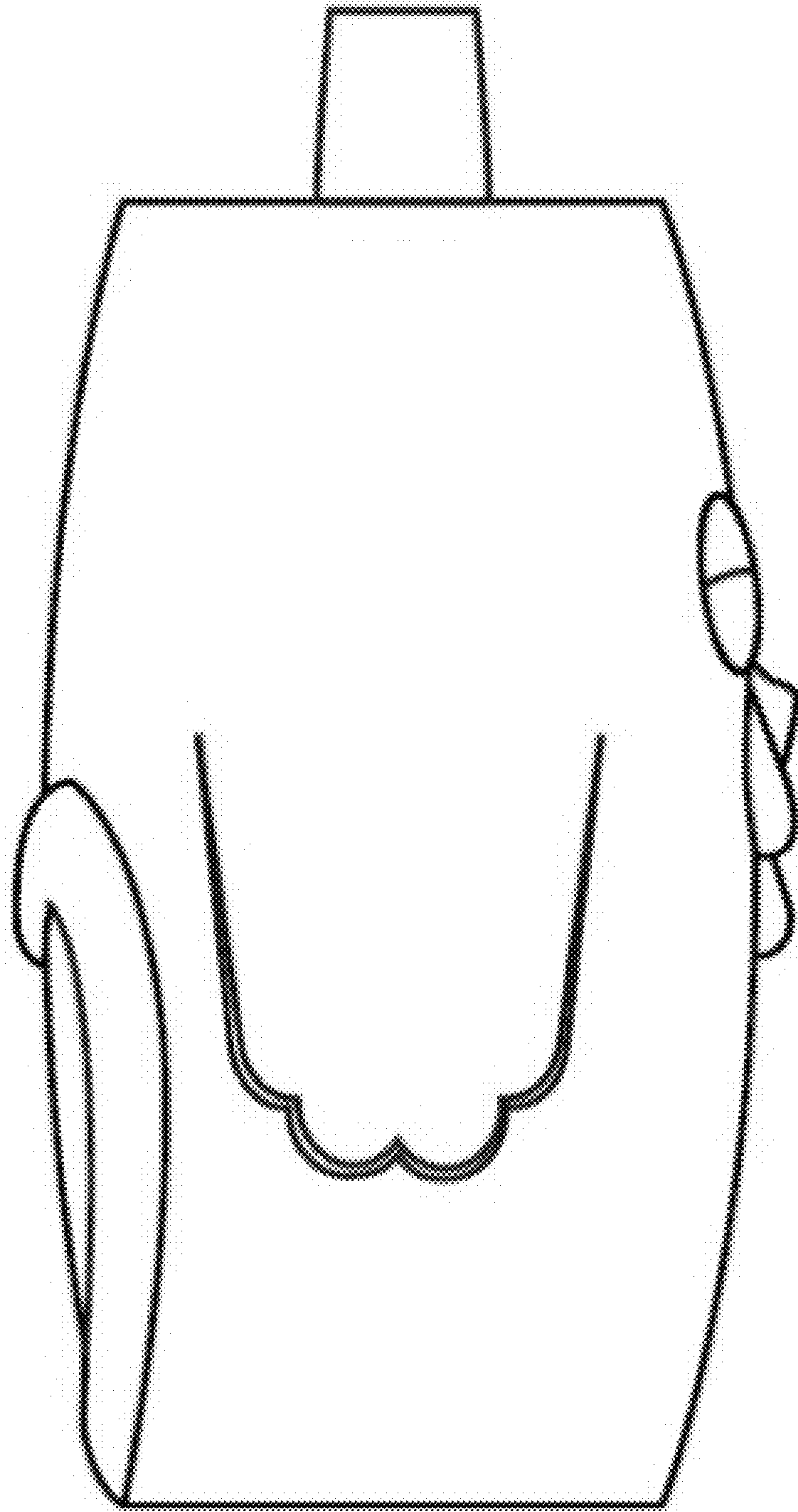


1.3

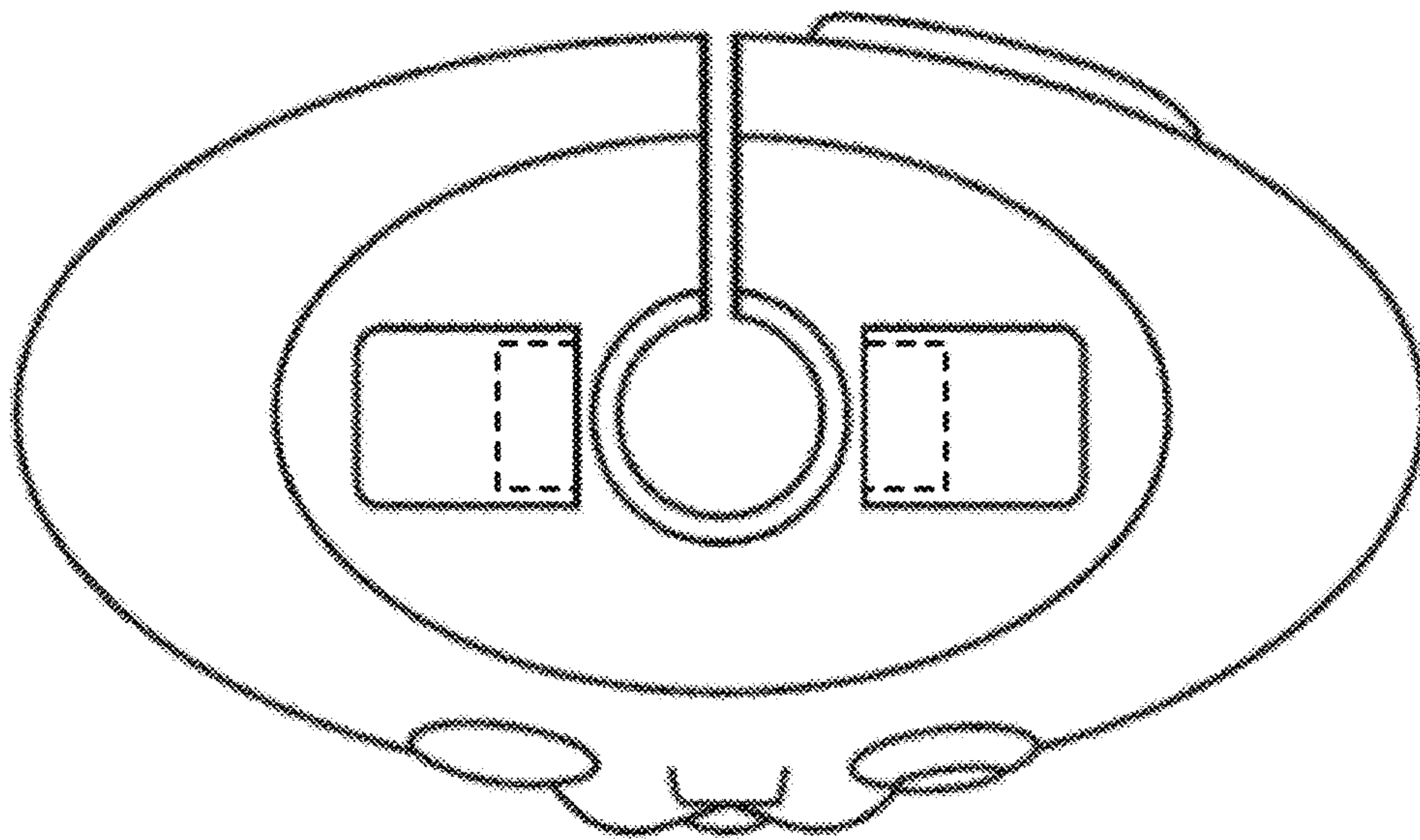




**1.4**



1.5



1.6

