

US00D863550S

(12) **United States Design Patent**
Melendez et al.

(10) **Patent No.:** **US D863,550 S**

(45) **Date of Patent:** **** Oct. 15, 2019**

(54) **ANAL EPITHELIUM CELL COLLECTING TOOL**

(71) Applicant: **MEL-MONT MEDICAL, LLC**, Doral, FL (US)

(72) Inventors: **Frank Melendez**, Miami, FL (US);
Liliana Montes, Cali (CO)

(73) Assignee: **MEL-MONT MEDICAL, LLC**, Doral, FL (US)

(**) Term: **15 Years**

(21) Appl. No.: **29/665,817**

(22) Filed: **Oct. 8, 2018**

(51) **LOC (12) Cl.** **24-02**

(52) **U.S. Cl.**
USPC **D24/119**; D24/216

(58) **Field of Classification Search**
USPC D24/108, 110, 111, 112, 115, 119, 121, D24/122, 123, 130, 133, 141, 152, 186, D24/215, 216; D28/7, 8; D9/436, 439, D9/440, 447, 723; D7/669
CPC A61F 9/0008; B65D 47/18; B01L 3/0282
See application file for complete search history.

(56) **References Cited**

U.S. PATENT DOCUMENTS

D257,885 S *	1/1981	Kulle	D24/112
D331,106 S *	11/1992	Fuchs	D24/110
5,924,206 A *	7/1999	Cote	A61B 17/3213 30/337
D414,555 S *	9/1999	Ritsche	D24/110
D421,303 S *	2/2000	Cote	D24/133
D430,664 S *	9/2000	Poynter	D24/115
D434,143 S *	11/2000	Poynter	D24/115

6,228,060 B1 *	5/2001	Howell	A61M 39/04 604/167.01
D496,731 S *	9/2004	Park	D24/133
D534,648 S *	1/2007	Zahn	D24/115
D539,903 S *	4/2007	Strong	D24/112
D619,242 S *	7/2010	Zinn	D24/108
D663,414 S *	7/2012	Robin	D24/115
D673,258 S *	12/2012	Jowett	D24/108
D686,316 S *	7/2013	Baid	D24/112
D702,836 S *	4/2014	Haadem	D24/133
D710,993 S *	8/2014	DeCoste, Jr.	D24/115
8,961,896 B2 *	2/2015	McSherry	A61B 10/0045 422/411
D733,866 S *	7/2015	Warden	D24/110
9,095,330 B2 *	8/2015	Leahy	A61B 10/04
D749,214 S *	2/2016	Uenishi	D24/130
9,314,808 B2 *	4/2016	Allsop	A61M 11/00
D777,325 S *	1/2017	Aneas	D24/130
D779,653 S *	2/2017	Habig	D24/115
D808,013 S *	1/2018	Chheda	D24/130
D818,576 S *	5/2018	Melendez	D24/119

* cited by examiner

Primary Examiner — Susan E Krakower
Assistant Examiner — L. A. Grabenstetter

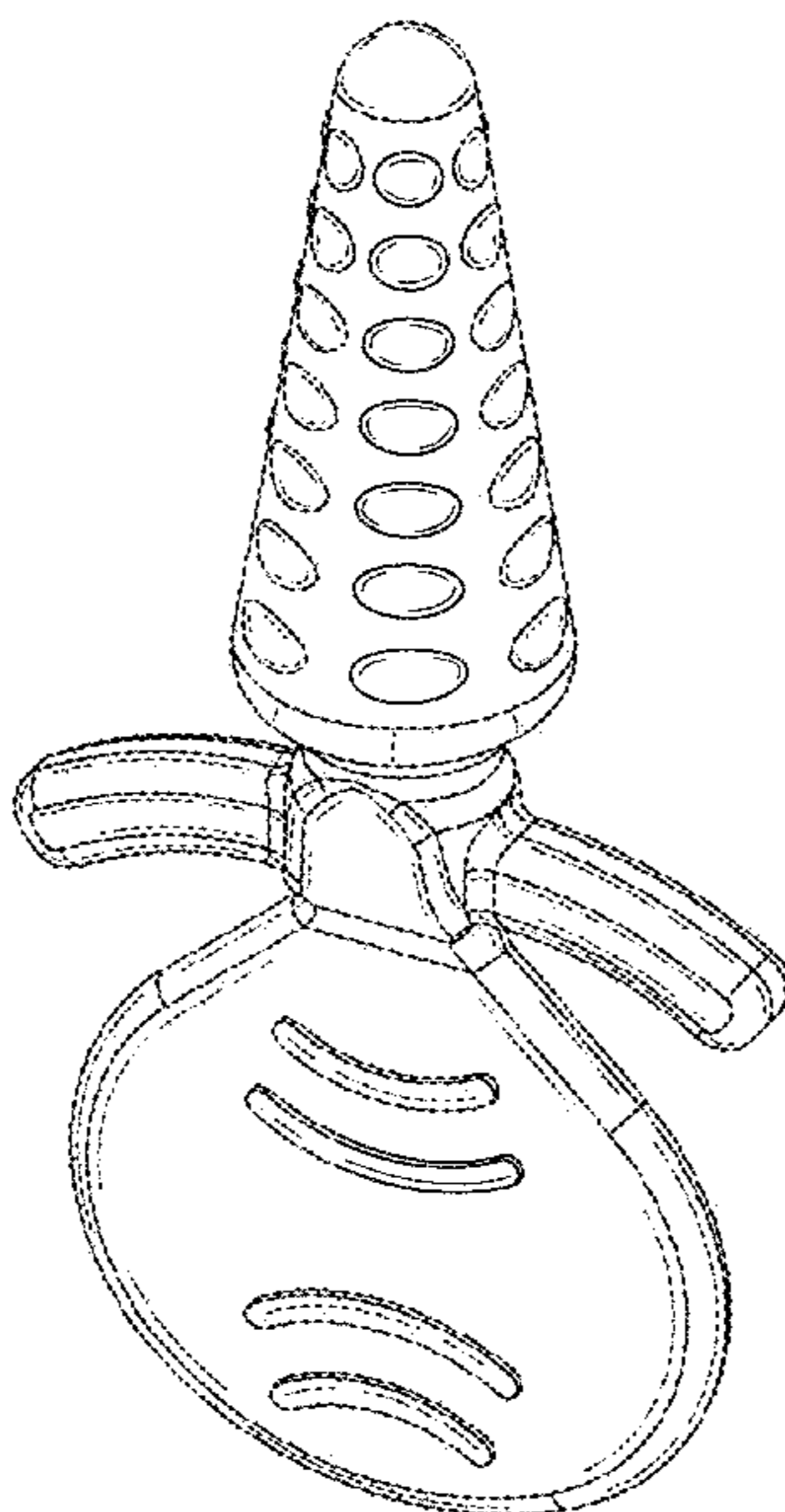
(57) **CLAIM**

The ornamental design for an anal epithelium cell collecting tool, as shown and described.

DESCRIPTION

FIG. 1 is a perspective view of a anal epithelium cell collecting tool;
FIG. 2 is front plan view thereof;
FIG. 3 is a rear view thereof;
FIG. 4 is a left side view thereof;
FIG. 5 is a right side view thereof;
FIG. 6 is a top view thereof; and,
FIG. 7 is a bottom view thereof.

1 Claim, 6 Drawing Sheets



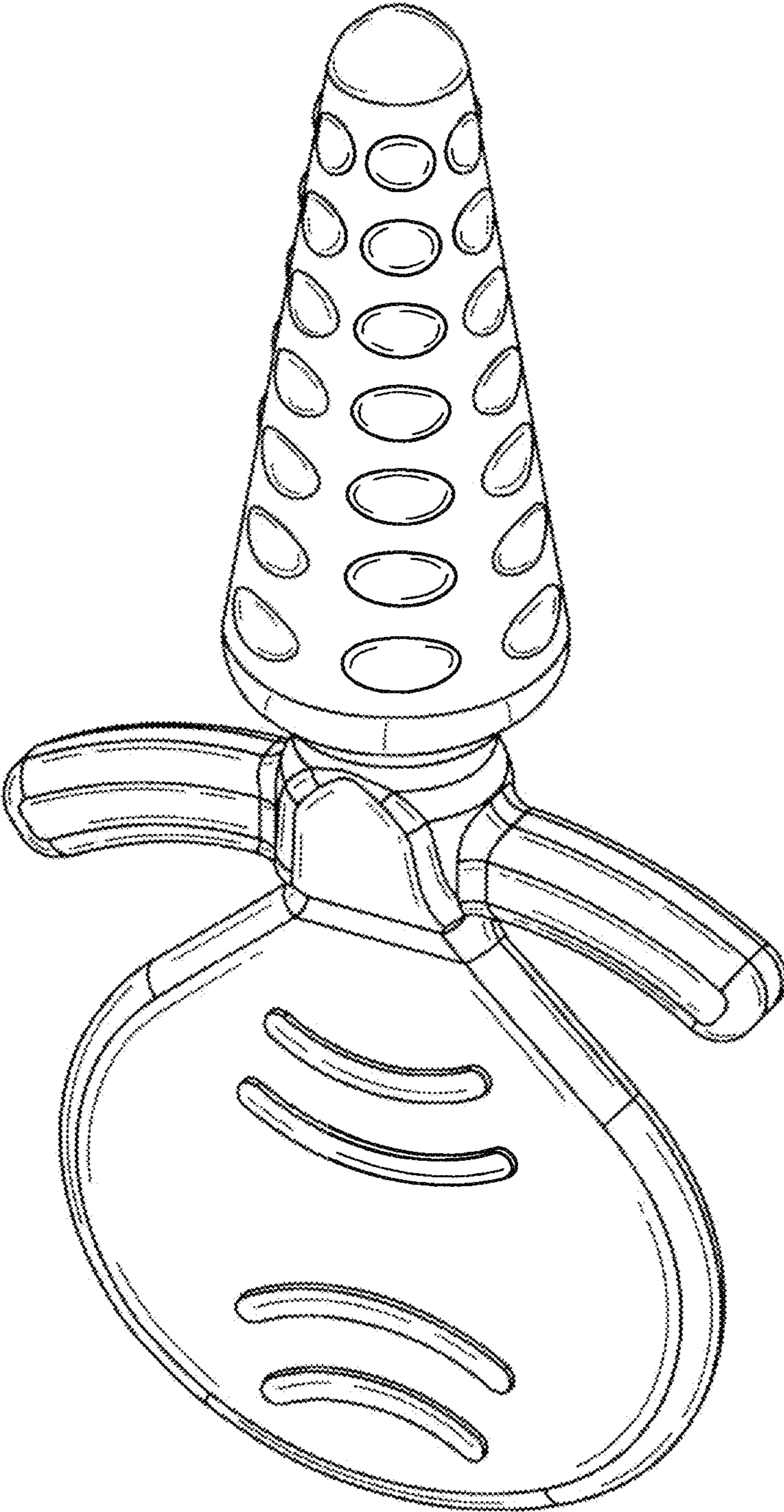


FIG. 1

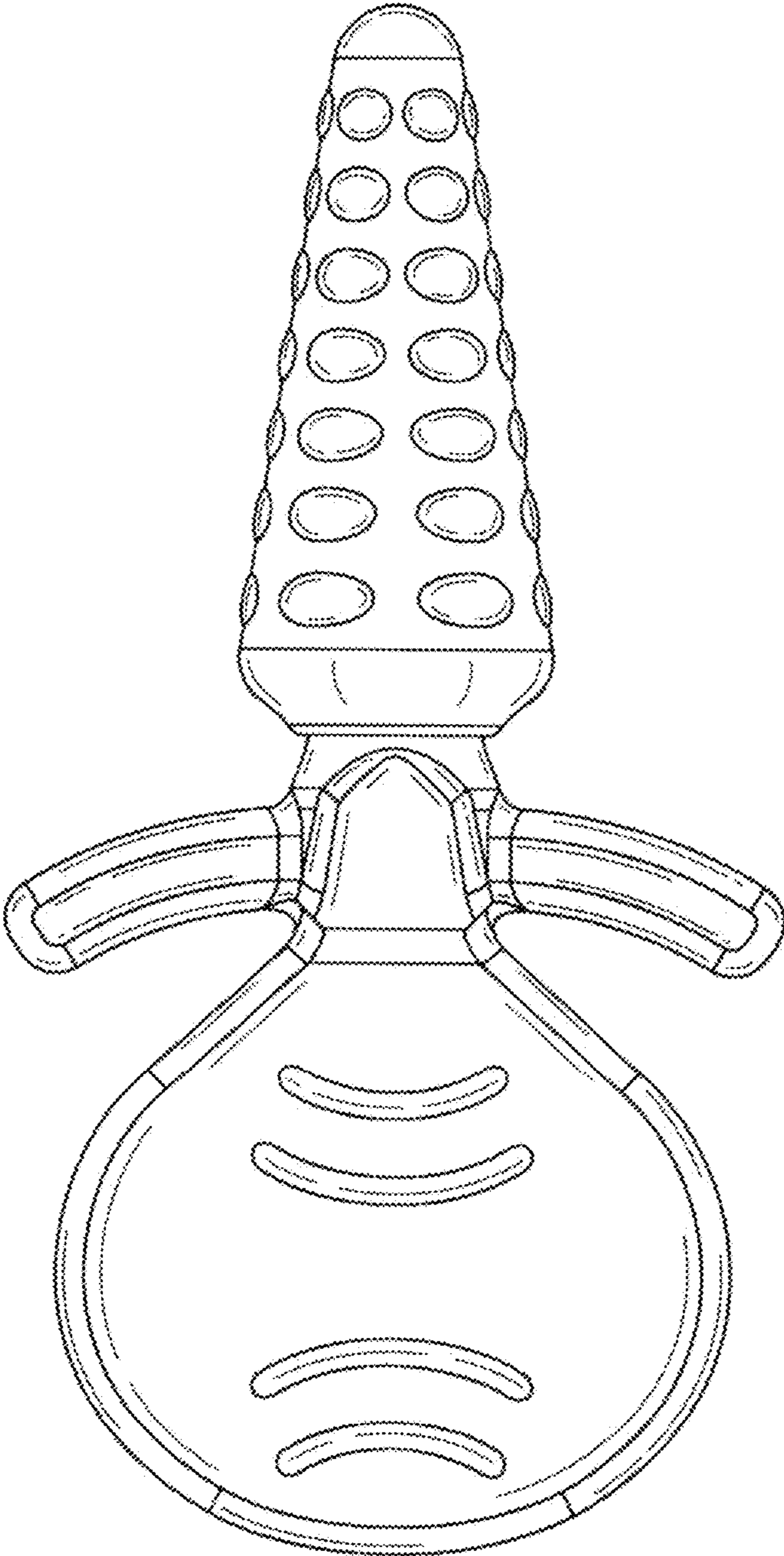


FIG. 2

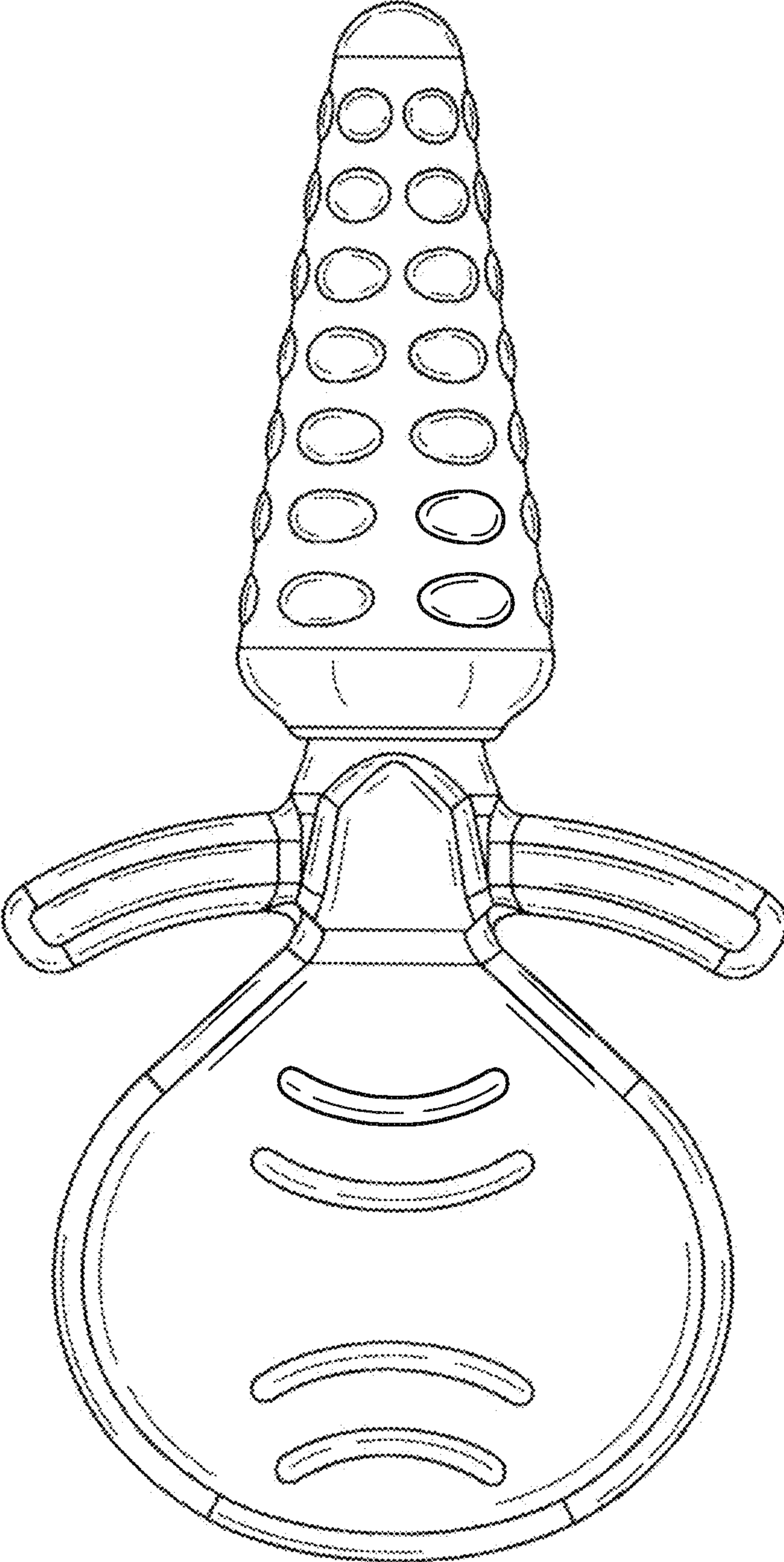


FIG. 3

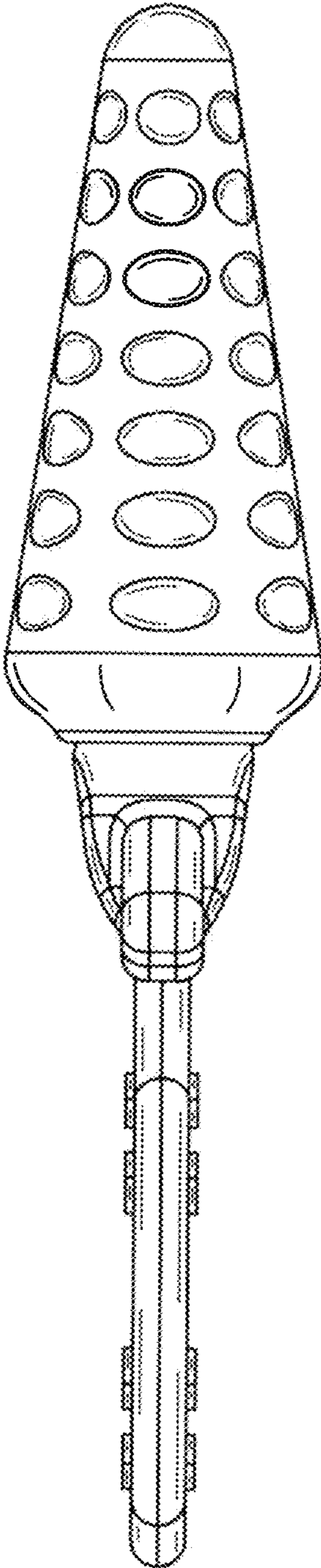


FIG. 4

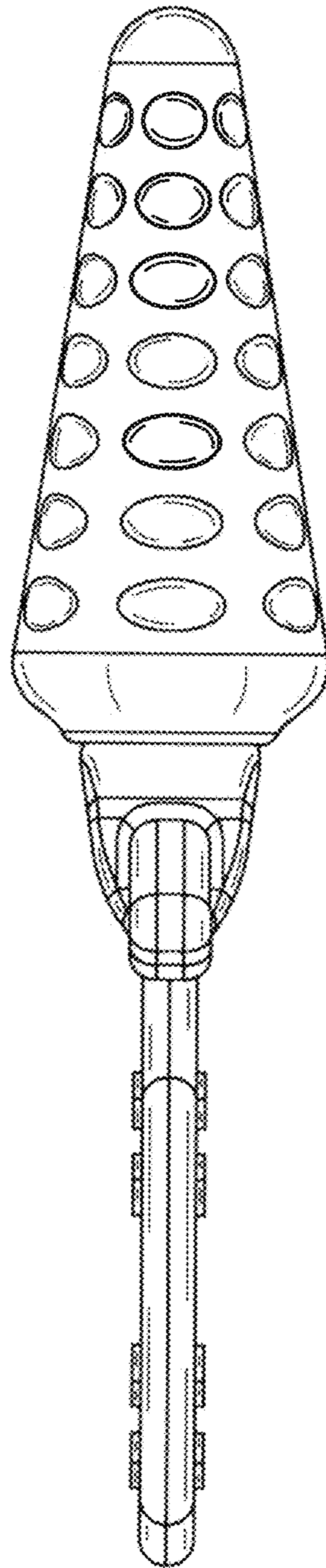


FIG. 5

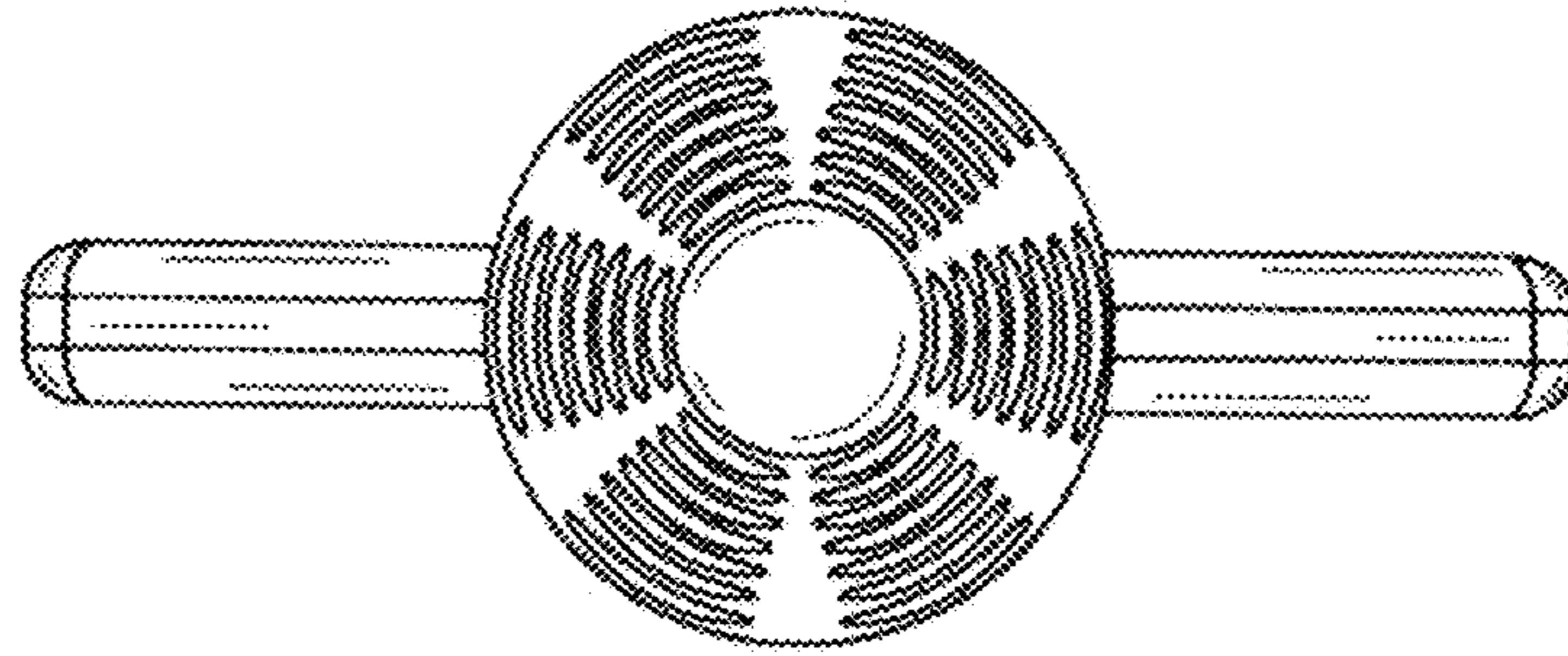


FIG. 6

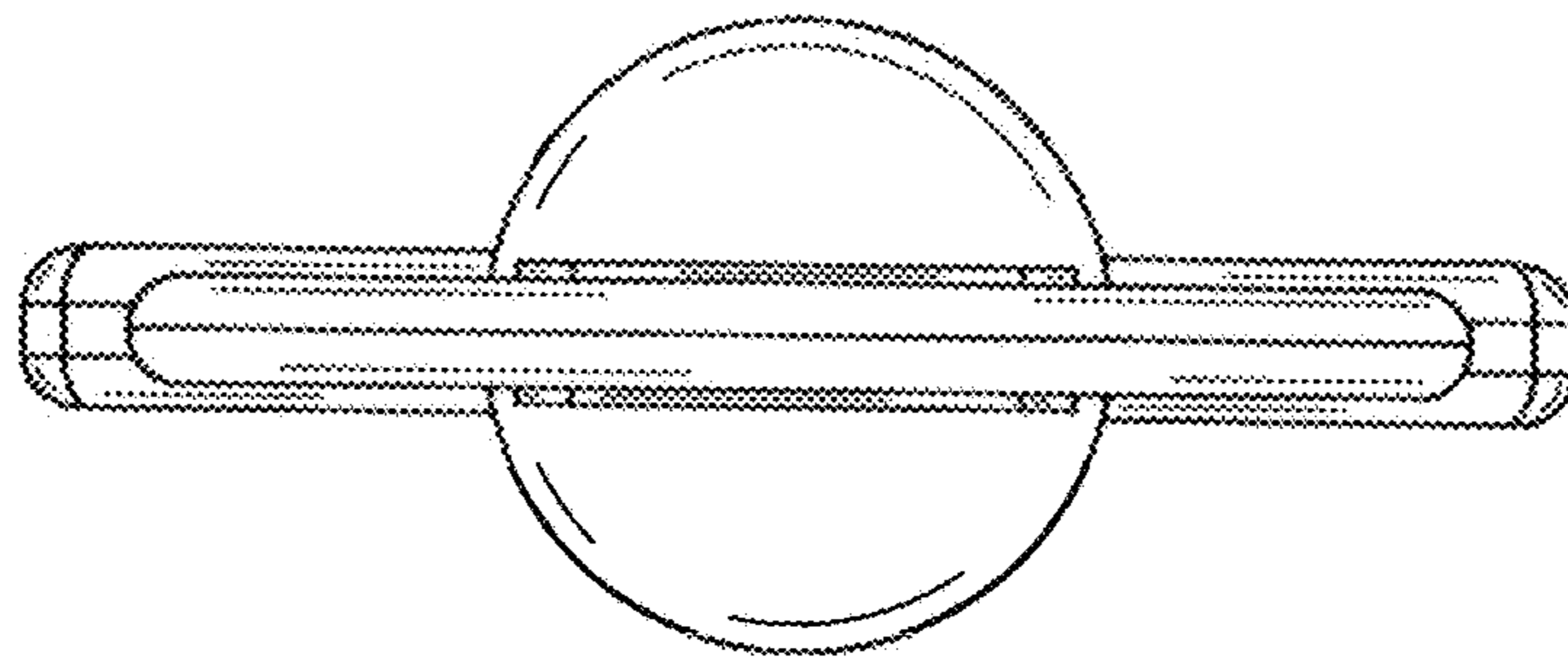


FIG. 7