



US00D863549S

(12) **United States Design Patent**
Jansen

(10) **Patent No.:** **US D863,549 S**

(45) **Date of Patent:** **** Oct. 15, 2019**

(54) **MEDICAL INJECTOR**

(71) Applicant: **HASELMEIER AG**, St. Gallen (CH)

(72) Inventor: **Paul Edward Jansen**, Boston, MA
(US)

(73) Assignee: **Haselmeier AG**, St. Gallen (CH)

(**) Term: **15 Years**

(21) Appl. No.: **29/655,491**

(22) Filed: **Jul. 3, 2018**

(51) **LOC (12) Cl.** **24-02**

(52) **U.S. Cl.**
USPC **D24/113**

(58) **Field of Classification Search**
USPC D24/112-114, 133, 186, 127-131;
606/181, 185; 604/264, 272, 115, 232,
604/187, 158, 164.08, 192, 263, 163, 181,
604/184, 198, 227; 600/101, 139, 143;
128/200.24, 207.14, 207.15;
D19/115-123, 177, 193
CPC A61M 5/3156; A61M 5/31591; A61M
5/3155; A61M 5/3157; A61M 5/24;
A61M 5/31501; A61M 5/31551; A61M
5/31585; A61M 2005/2407; A61M
2005/2492; A61M 2205/581; A61M
2205/582

See application file for complete search history.

(56) **References Cited**

U.S. PATENT DOCUMENTS

D343,897 S	*	2/1994	Rand	D24/112
D479,603 S	*	9/2003	Tyce	D19/164
D479,748 S	*	9/2003	Tyce	D19/164
D501,253 S	*	1/2005	Bainton	D19/164
D503,797 S	*	4/2005	Tyce	D24/114
D540,465 S	*	4/2007	Bainton	D24/114
D619,702 S	*	7/2010	Galbraith	D24/114
D688,791 S	*	8/2013	Guarraia	D24/113
D688,792 S	*	8/2013	Guarraia	D24/113

D696,771 S	*	12/2013	Schneider	D24/113
D703,314 S	*	4/2014	Schneider	D24/113
D725,771 S	*	3/2015	Sendatzki	D24/113
D729,875 S	*	5/2015	Xu	D19/177
D743,539 S	*	11/2015	Chung	D24/113
D752,210 S	*	3/2016	Amend Kwasnik	D24/113
D773,038 S	*	11/2016	Tanner	D24/113
D773,647 S	*	12/2016	Amend Kwasnik	D24/113
9,943,649 B2	*	4/2018	Shang	A61M 5/2033
D841,737 S	*	2/2019	Hallar	D19/177

(Continued)

OTHER PUBLICATIONS

Toujeo Ad: https://www.google.com/search?q=toujeo+solostar+300+units/ml&source=lnms&tbm=isch&sa=X&ved=0ahUKEwikmN6h24DcAhVSoVMKHbPcC08Q_AUICygC&biw=1920&bih=947#imgc=7AQB2ZJ0Blx49M, downloaded on Jul. 2, 2018.

Primary Examiner — David G Muller

Assistant Examiner — Nathan M Johnston

(74) *Attorney, Agent, or Firm* — Walter Ottesen, P.A.

(57) **CLAIM**

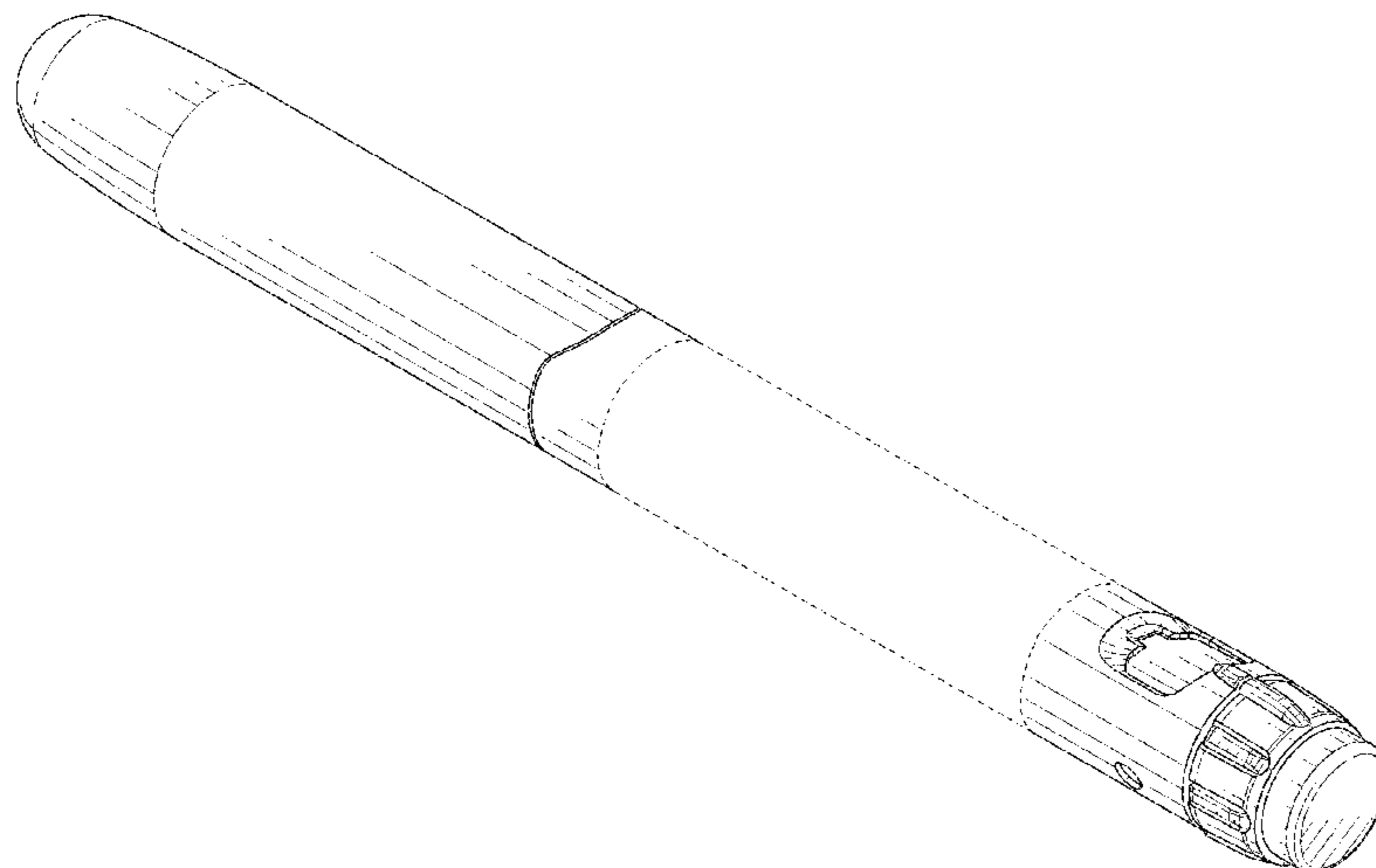
The ornamental design for a medical injector, as shown and described.

DESCRIPTION

FIG. 1 is a perspective view of the housing viewed from the rear and left of and above the medical injector;
FIG. 2 is a perspective view of the housing viewed from the front and right of and above the medical injector
FIG. 3 is a top plan view thereof;
FIG. 4 is a bottom plan view thereof;
FIG. 5 is a left side elevation view thereof;
FIG. 6 is a right side elevation view thereof;
FIG. 7 is a front elevation view thereof; and,
FIG. 8 is a rear elevation view thereof.

The broken line showing is for the purpose of illustrating portions of the article and defines the bounds of the claimed invention, but forms no part of the claimed design.

1 Claim, 4 Drawing Sheets



(56)

References Cited

U.S. PATENT DOCUMENTS

D844,775	S *	4/2019	Jansen	D24/112
10,279,116	B2 *	5/2019	Plumptre	A61M 5/24
2014/0052075	A1 *	2/2014	Schneider	A61M 5/24
				604/207
2014/0213984	A1 *	7/2014	Pawar	A61M 5/31533
				604/207
2014/0243753	A1 *	8/2014	Bostrom	A61M 5/3202
				604/198
2015/0174335	A1 *	6/2015	Roervig	A61M 5/20
				604/198
2017/0028141	A1 *	2/2017	Fiedler	G09B 23/285

* cited by examiner

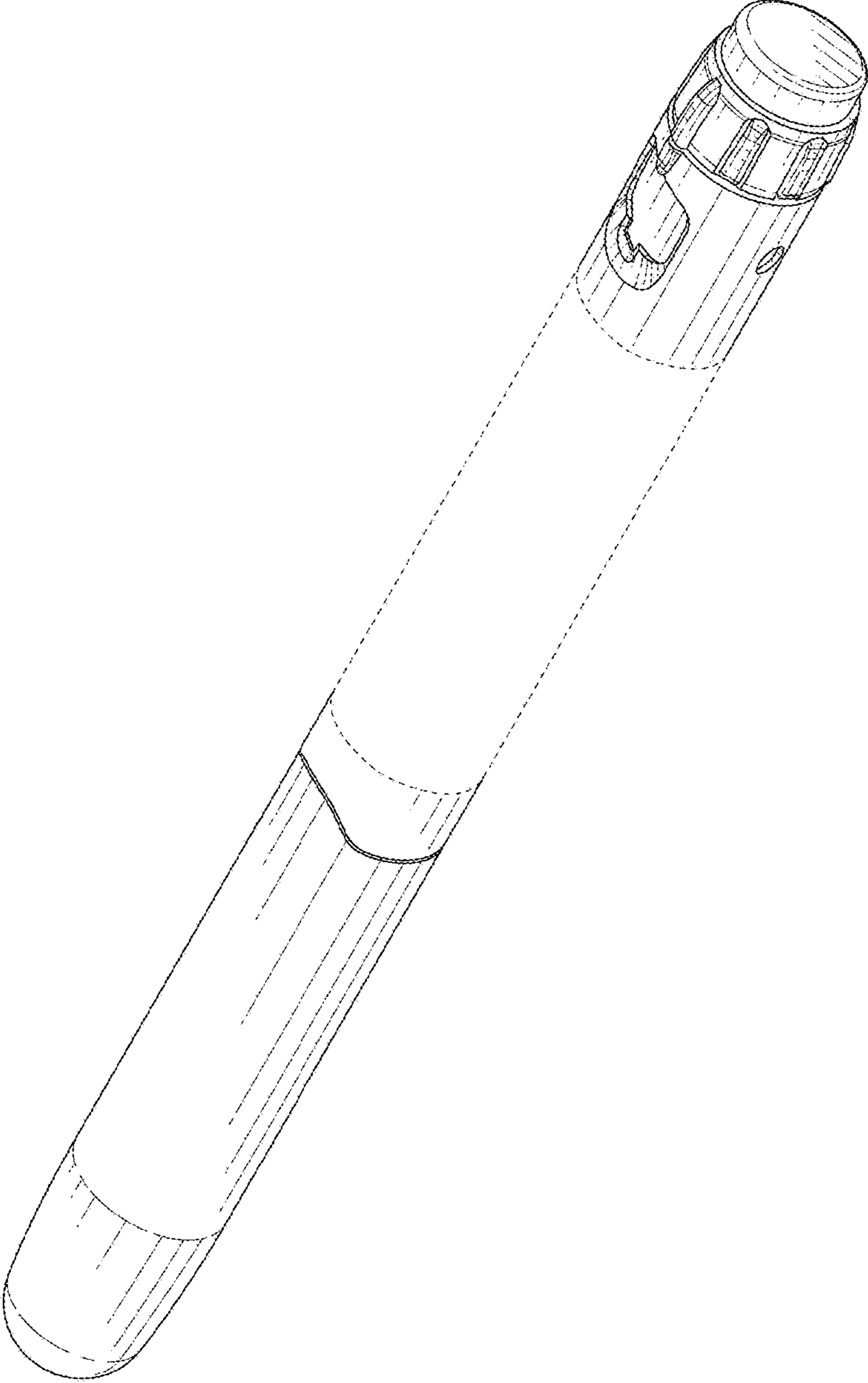


FIG. 1

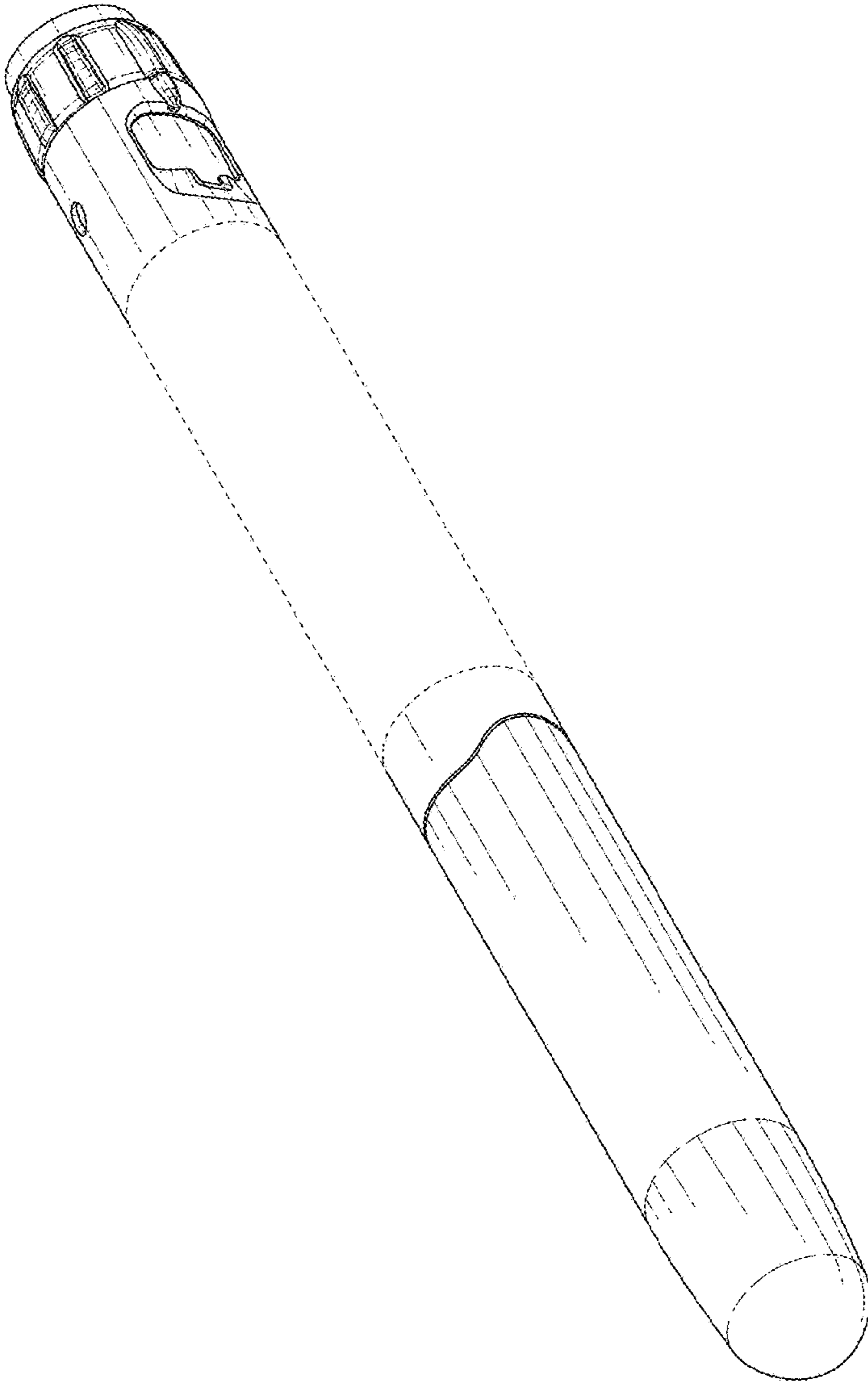


FIG. 2

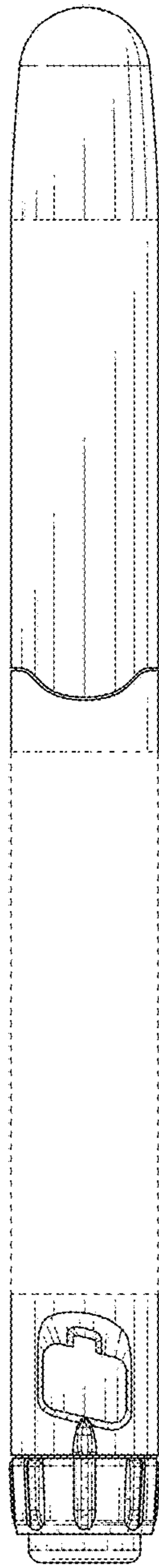


FIG. 3

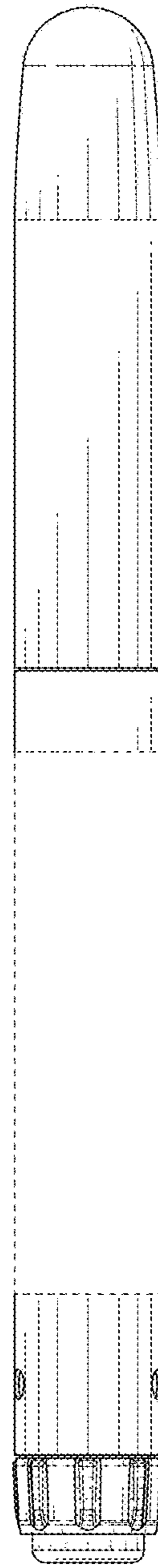


FIG. 4

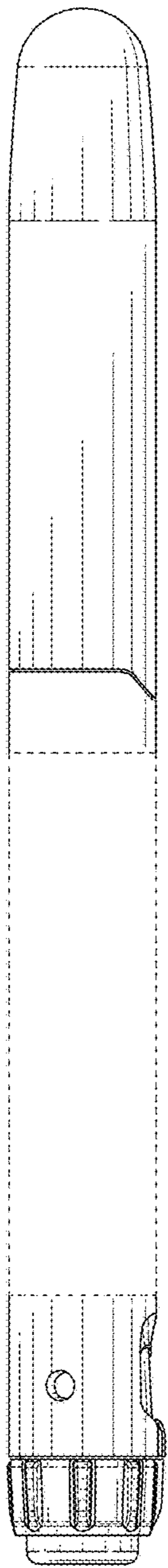


FIG. 5

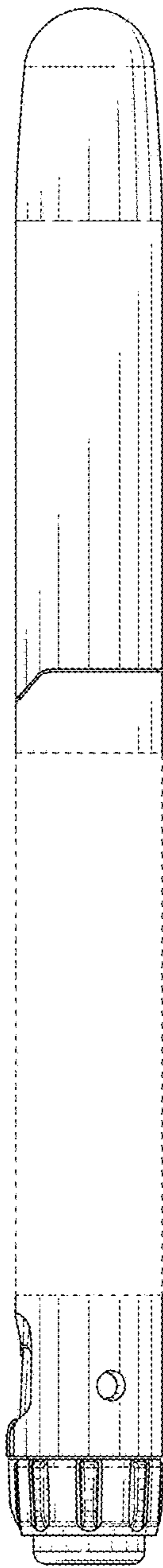


FIG. 6

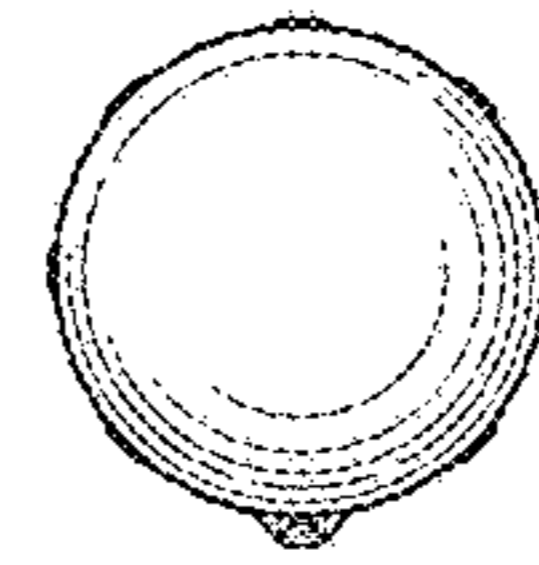


FIG. 7

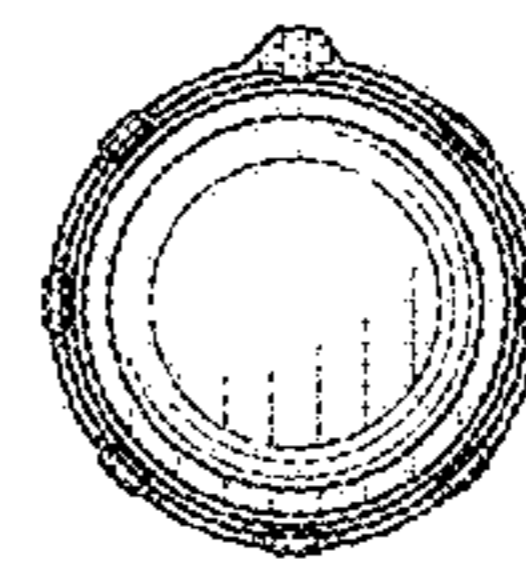


FIG. 8