



US00D863546S

(12) **United States Design Patent**
Converse et al.

(10) **Patent No.:** **US D863,546 S**
(45) **Date of Patent:** **** Oct. 15, 2019**

(54) **MEDICAL FLUID INJECTION DEVICE**

(71) Applicant: **Enable Injections, Inc.**, Cincinnati, OH (US)

(72) Inventors: **Rowan Joseph Converse**, Liberty Township, OH (US); **Joetta Renee Palmer**, Mason, OH (US); **David Stefanchik**, Morrow, OH (US)

(73) Assignee: **Enable Injections, Inc.**, Cincinnati, OH (US)

(**) Term: **15 Years**

(21) Appl. No.: **29/591,673**

(22) Filed: **Jan. 23, 2017**

(51) **LOC (12) Cl.** **24-02**

(52) **U.S. Cl.**
USPC **D24/112**

(58) **Field of Classification Search**
USPC D24/112-114, 108, 133, 130, 127, 186;
606/181, 185; 604/264, 272, 187, 181,
604/184, 227
CPC A61M 2005/3125; A61M 5/16827; A61M
5/48; A61M 5/178; A61M 3/00; A61M
5/20; A61M 5/31; A61M 5/3146
See application file for complete search history.

(56) **References Cited**

U.S. PATENT DOCUMENTS

D684,685 S *	6/2013	Schneider	D24/108
D684,686 S *	6/2013	Cronenberg	D24/108
D685,083 S *	6/2013	Schneider	D24/108
D685,084 S *	6/2013	Guarraia	D24/108

D687,140 S *	7/2013	Guarraia	D24/108
D687,141 S *	7/2013	Schneider	D24/108
D687,536 S *	8/2013	Guarraia	D24/108
D754,355 S *	4/2016	Ganapathy	D24/186
D797,923 S *	9/2017	Pereira	D24/112
D804,042 S *	11/2017	Cohrs	D24/186

* cited by examiner

Primary Examiner — David G Muller

(74) *Attorney, Agent, or Firm* — Cook Alex Ltd.; R. Blake Johnston

(57) **CLAIM**

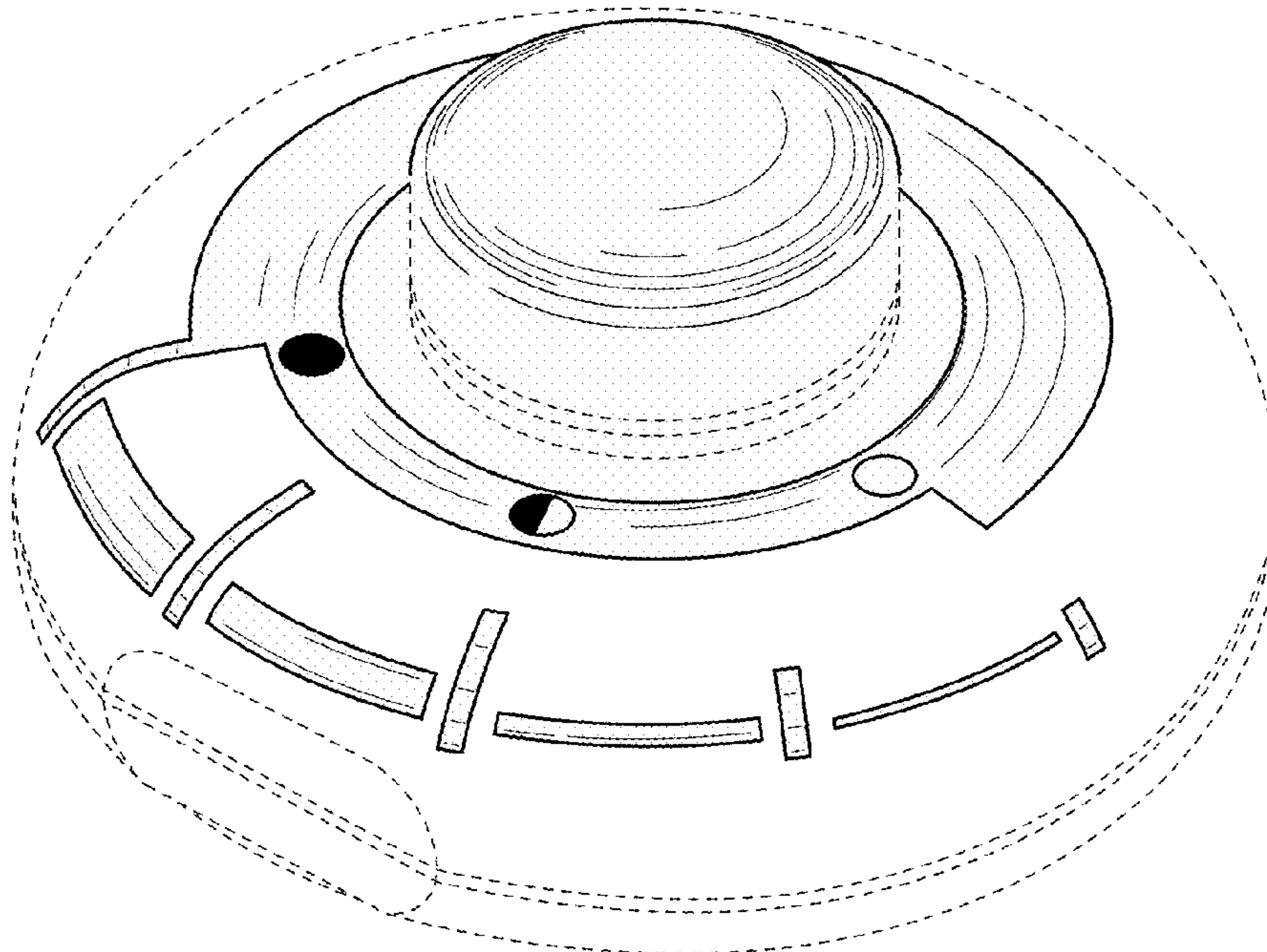
The ornamental design for a medical fluid injection device, as shown and described.

DESCRIPTION

FIG. 1 is a perspective view of the medical fluid injection device;
FIG. 2 is a front elevation view of the medical fluid injection device;
FIG. 3 is a rear elevation view of the medical fluid injection device;
FIG. 4 is a left side elevation view of the medical fluid injection device;
FIG. 5 is a right side elevation view of the medical fluid injection device;
FIG. 6 is a top plan view of medical fluid injection device; and,
FIG. 7 is a bottom plan view of the medical fluid injection device.

The features shown in broken lines depict environmental structure only and form no part of the claimed design.

1 Claim, 4 Drawing Sheets



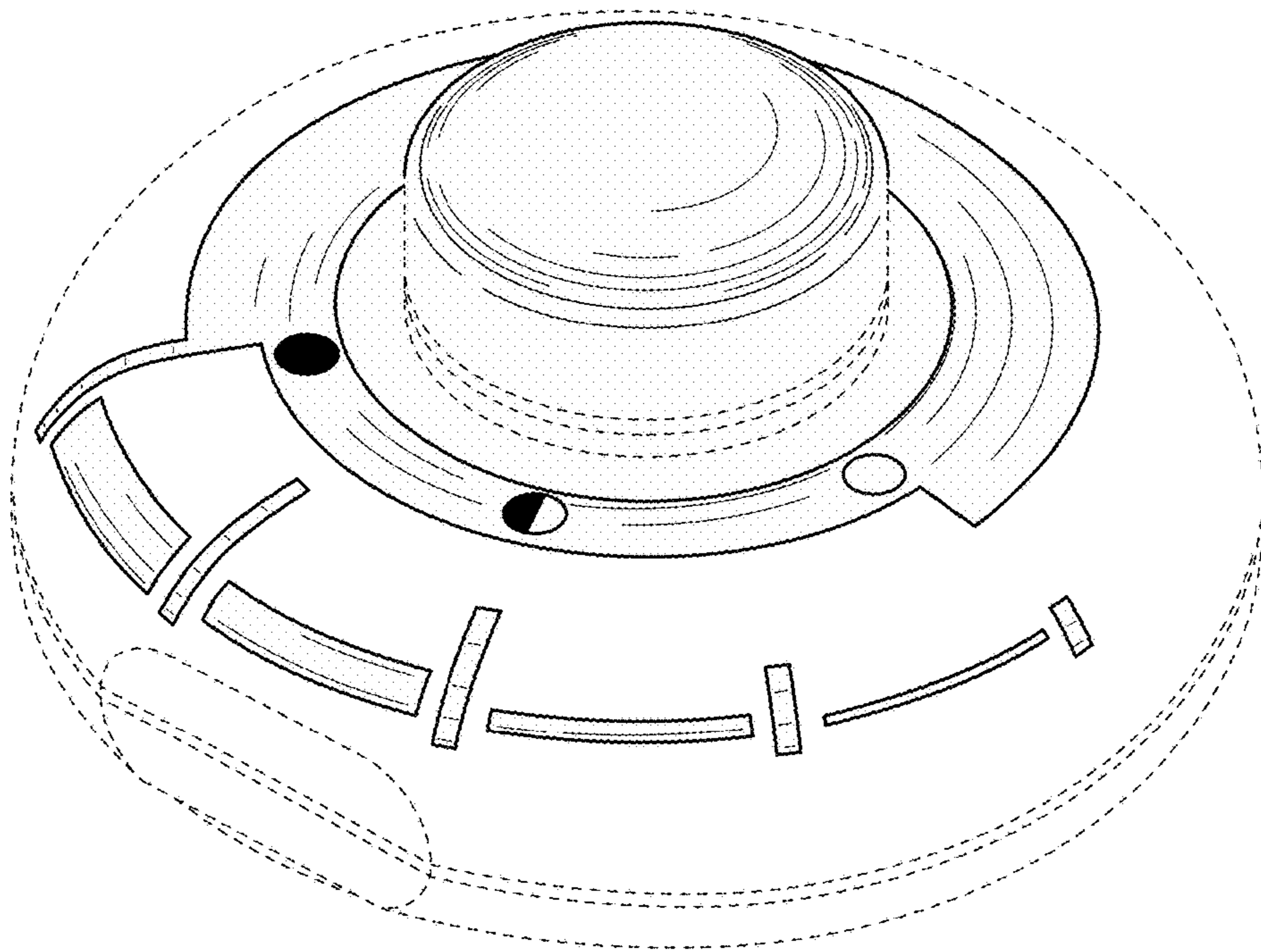


FIG. 1

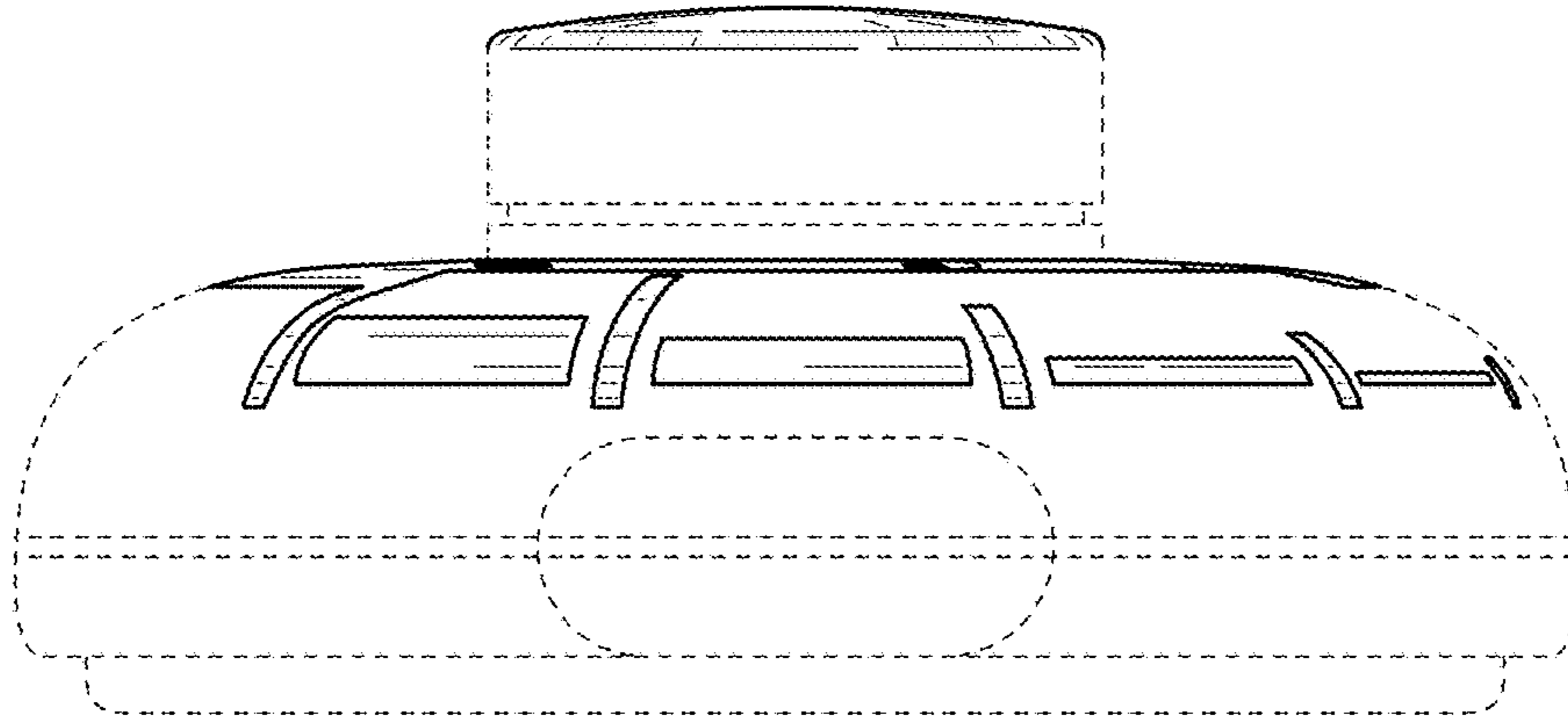


FIG. 2

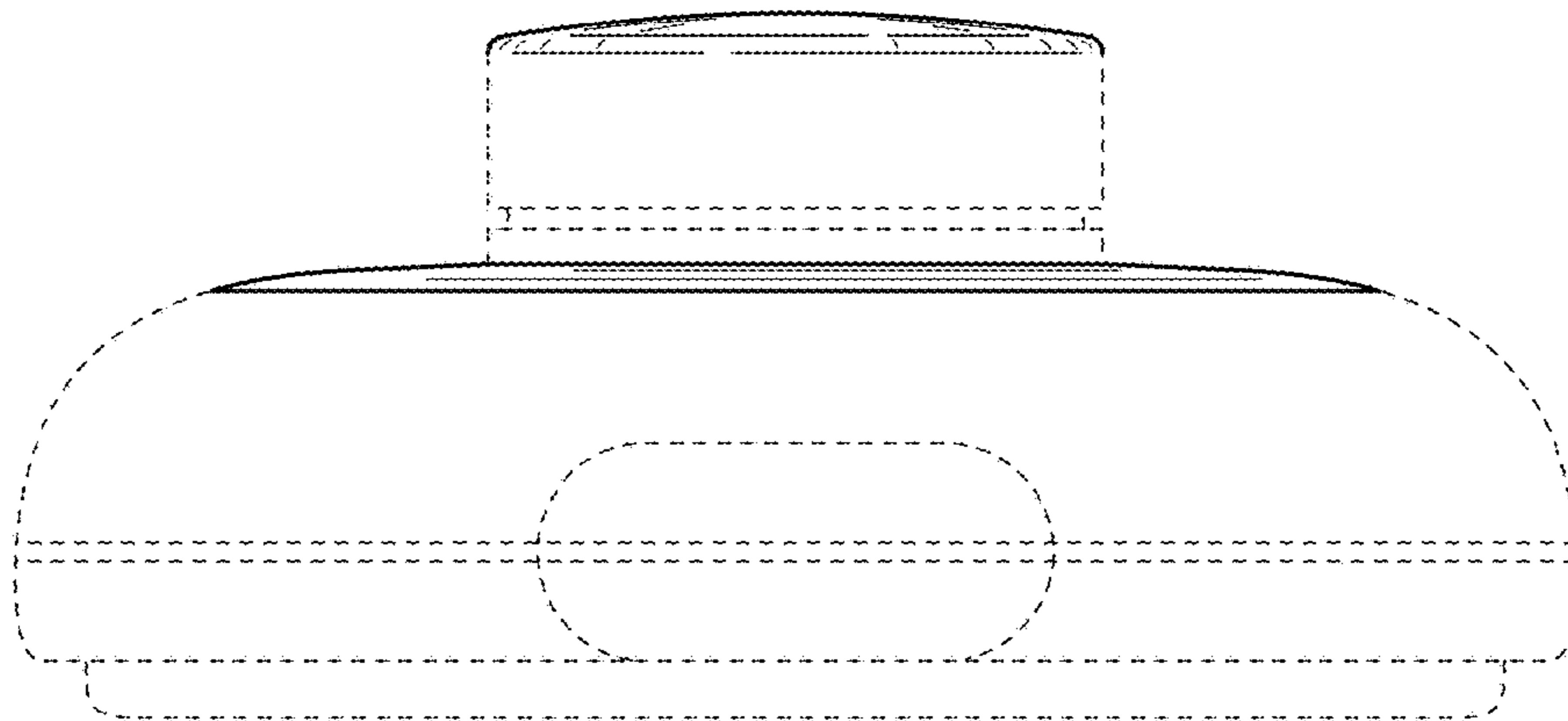


FIG. 3

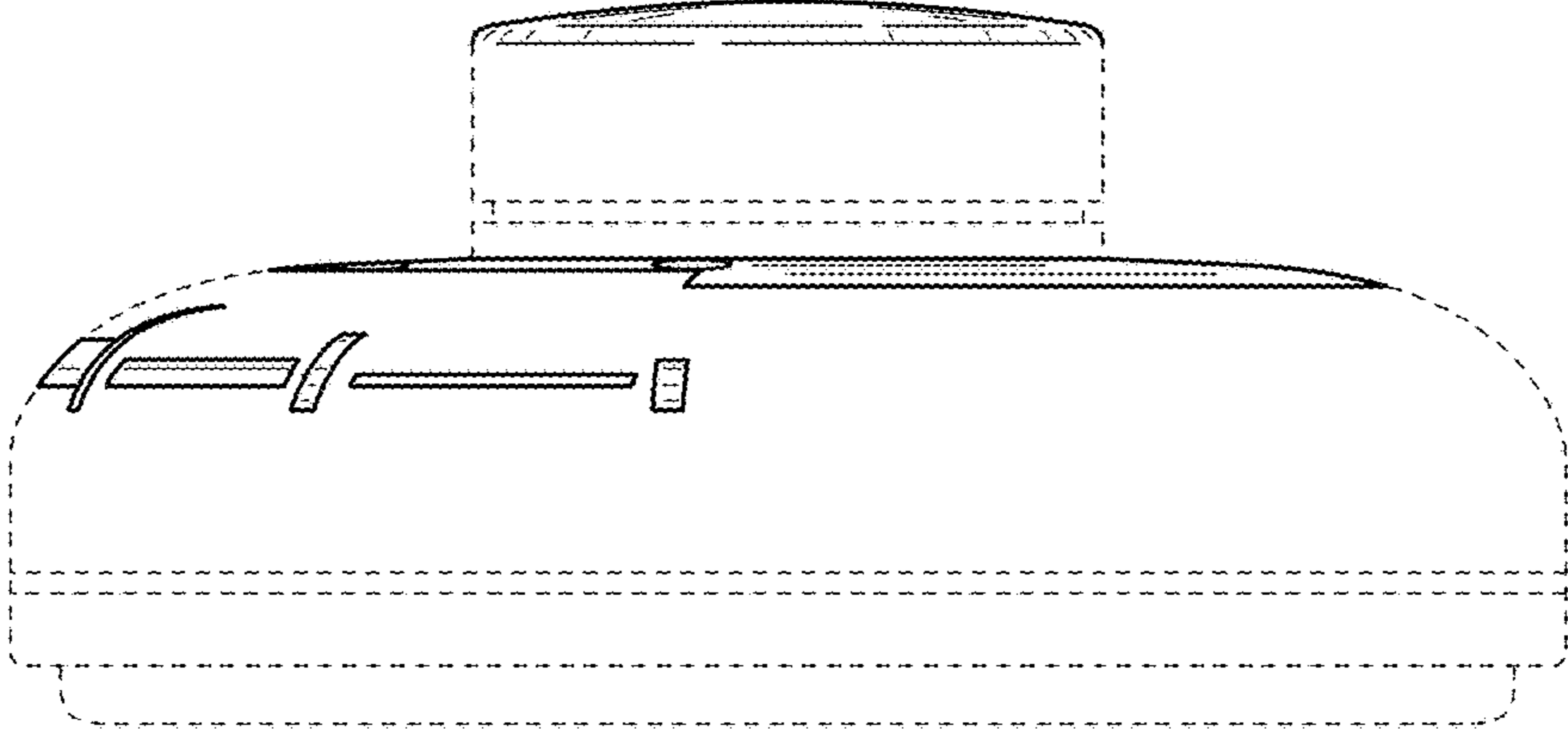


FIG. 4

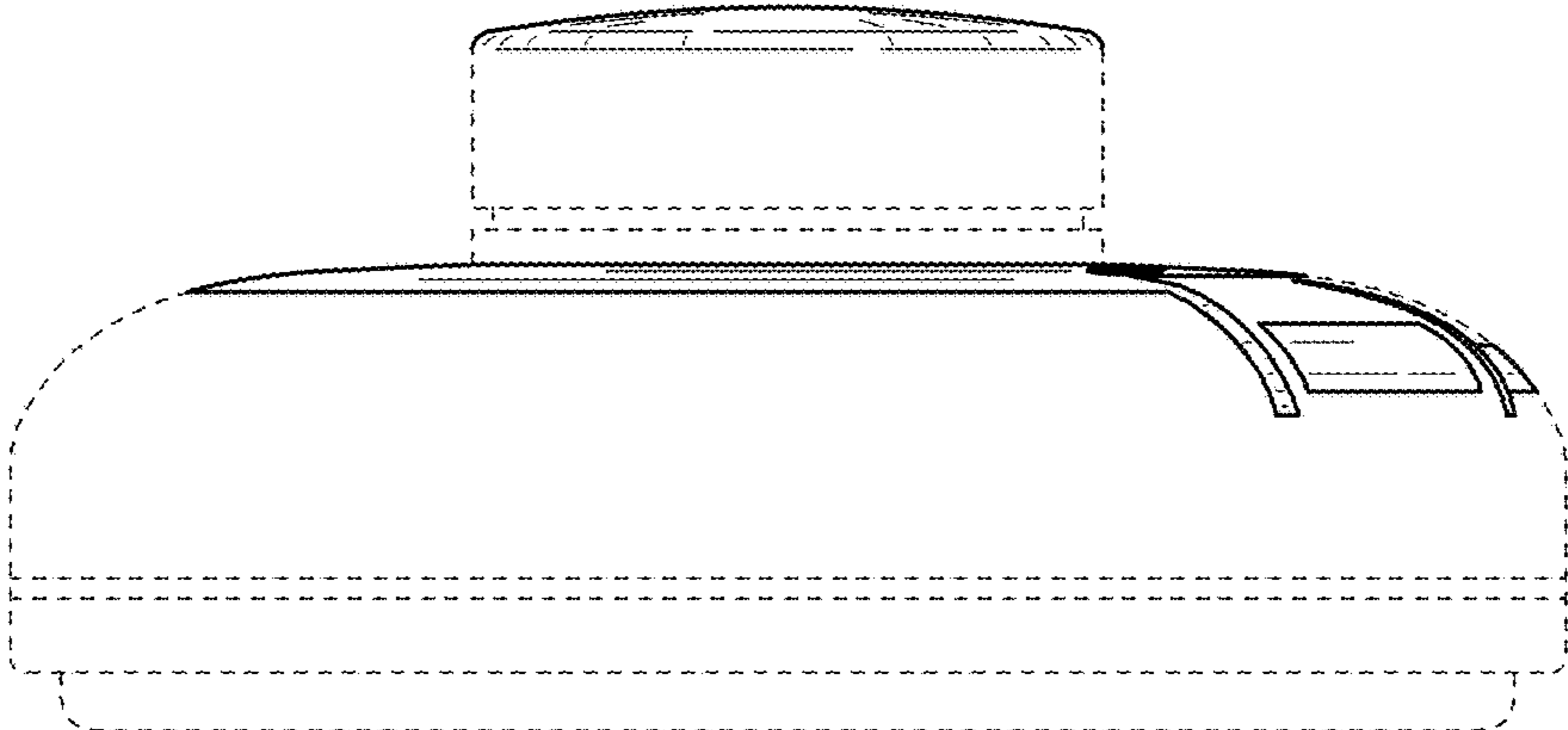


FIG. 5

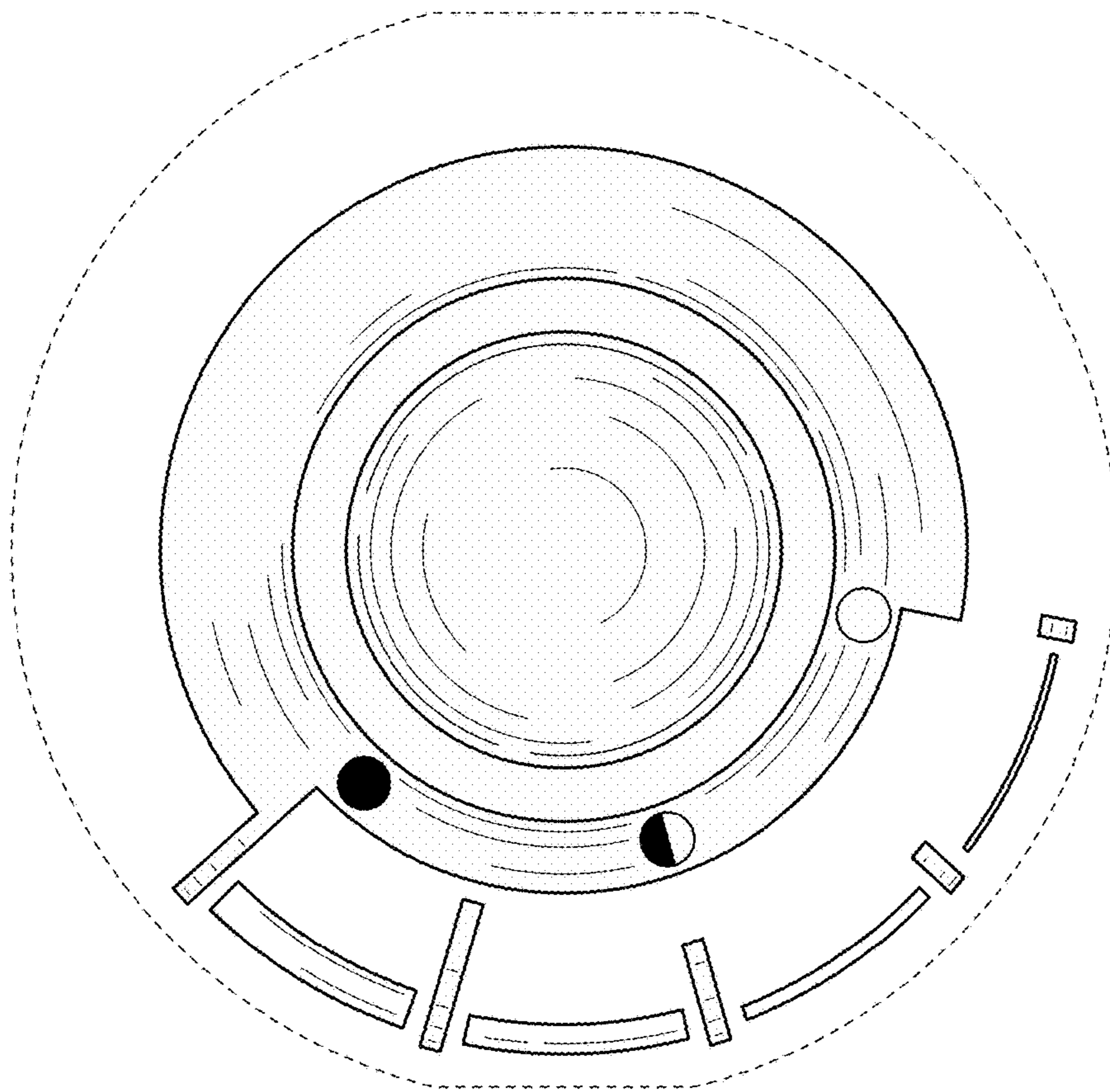


FIG. 6

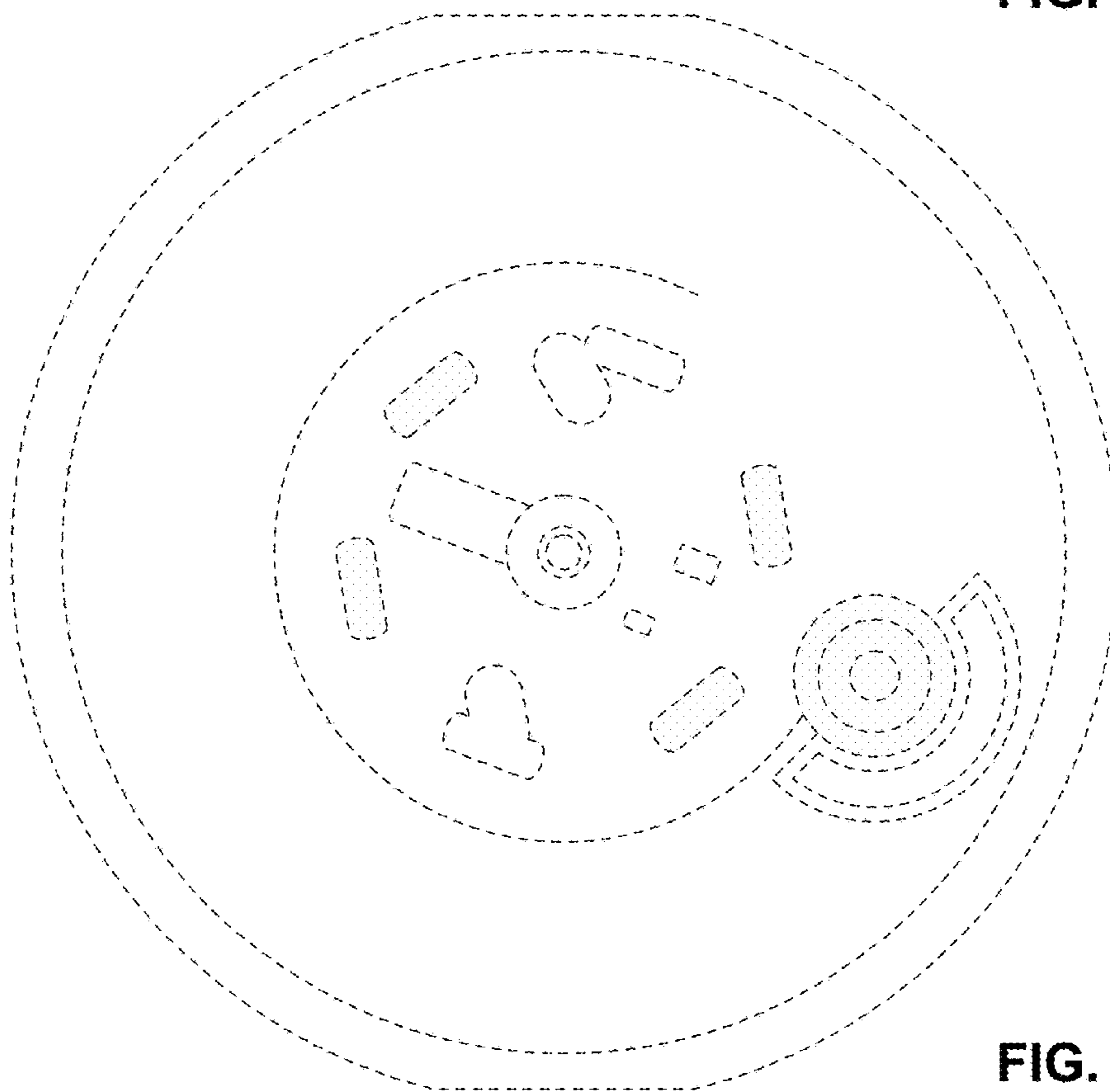


FIG. 7