



US00D863545S

(12) **United States Design Patent** (10) **Patent No.:** **US D863,545 S**
Dantanarayana et al. (45) **Date of Patent:** **** Oct. 15, 2019**

(54) **AIR DELIVERY ADAPTER FOR RESPIRATORY MASK**
(71) Applicant: **ResMed Pty Ltd**, Bella Vista, New South Wales (AU)
(72) Inventors: **Muditha Pradeep Dantanarayana**, Sydney (AU); **Charles Harry Finch**, Sydney (AU); **Chia Ik Tan**, Sydney (AU); **Stewart Joseph Wagner**, Hawkesbury (AU)
(73) Assignee: **ResMed Pty Ltd**, Bella Vista (AU)
(**) Term: **15 Years**
(21) Appl. No.: **29/585,937**
(22) Filed: **Nov. 30, 2016**
(51) **LOC (12) Cl.** **29-02**
(52) **U.S. Cl.**
USPC **D24/110.4**
(58) **Field of Classification Search**
USPC D24/110-110.6, 127, 129; D29/110
CPC A61M 16/0616; A61M 16/0633; A61M 16/06; A61M 16/0666; A61M 16/0683; A61M 16/0605; A61M 16/0622; A61M 16/0644; A61M 16/0875; A61M 16/0816; A61M 16/08; B63C 11/205; B63C 11/16; B63C 11/186; B63C 11/12
See application file for complete search history.

(56) **References Cited**
U.S. PATENT DOCUMENTS
D612,481 S * 3/2010 Reid D24/110.1
D637,283 S * 5/2011 Selvarajan D24/110.1
D645,961 S * 9/2011 Biener D24/110.1
8,397,727 B2 * 3/2013 Ng A61M 16/06
128/204.18
D689,602 S * 9/2013 Amirav D24/110
D691,713 S * 10/2013 Fahy D24/110.1
D692,121 S * 10/2013 Fahy D24/110

D714,434 S * 9/2014 Fahy D24/110
D785,161 S * 4/2017 Dravitzki D24/110.4
9,821,134 B2 * 11/2017 Drew A61M 16/0875
D808,008 S * 1/2018 Burnham D24/110.4
2003/0196662 A1 * 10/2003 Ging A61M 16/06
128/204.15

(Continued)

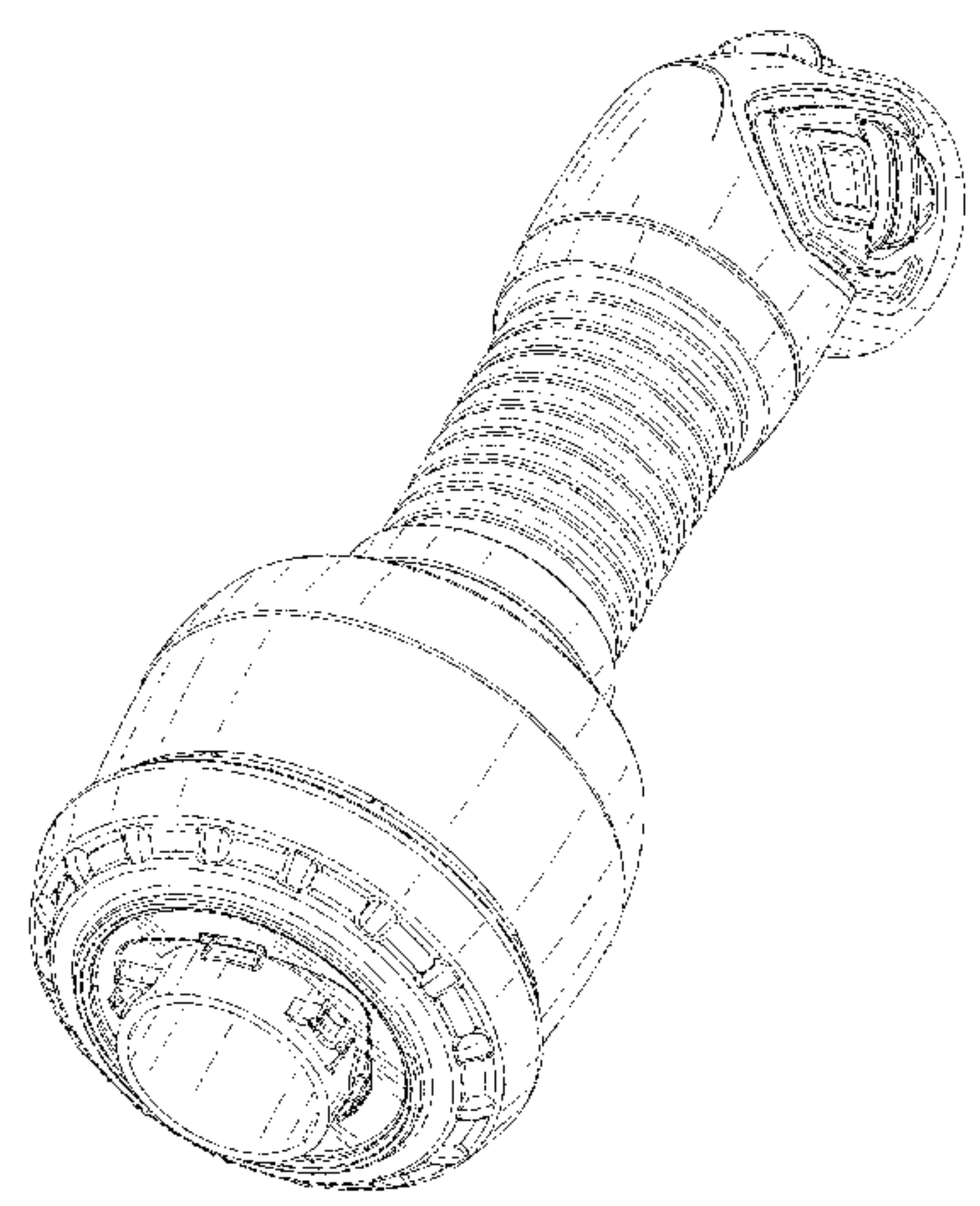
Primary Examiner — Sheryl Lane
Assistant Examiner — Aula Soroush
(74) *Attorney, Agent, or Firm* — Nixon & Vanderhye P.C.

(57) **CLAIM**
The ornamental design for an air delivery adapter for respiratory mask, as shown and described.

DESCRIPTION

FIG. 1 is a front perspective view of an air delivery adapter for respiratory mask showing a first embodiment of our new design;
FIG. 2 is a front view thereof;
FIG. 3 is a rear view thereof;
FIG. 4 is a top view thereof;
FIG. 5 is a bottom view thereof;
FIG. 6 is a left side view thereof;
FIG. 7 is a right side view thereof;
FIG. 8 is a rear perspective view thereof;
FIG. 9 is a front perspective view of an air delivery adapter for respiratory mask showing a second embodiment of our new design;
FIG. 10 is a front view thereof;
FIG. 11 is a rear view thereof;
FIG. 12 is a top view thereof;
FIG. 13 is a bottom view thereof;
FIG. 14 is a left side view thereof;
FIG. 15 is a right side view thereof; and,
FIG. 16 is a rear perspective view thereof.
The broken lines in the drawings depict portions of the air delivery adapter for respiratory mask that form no part of the claimed design.

1 Claim, 16 Drawing Sheets



(56)

References Cited

U.S. PATENT DOCUMENTS

2004/0221850 A1* 11/2004 Ging A61M 16/06
128/206.27
2013/0324788 A1* 12/2013 Holley A61B 5/087
600/28
2018/0001047 A1* 1/2018 McAuley A61M 16/0057

* cited by examiner

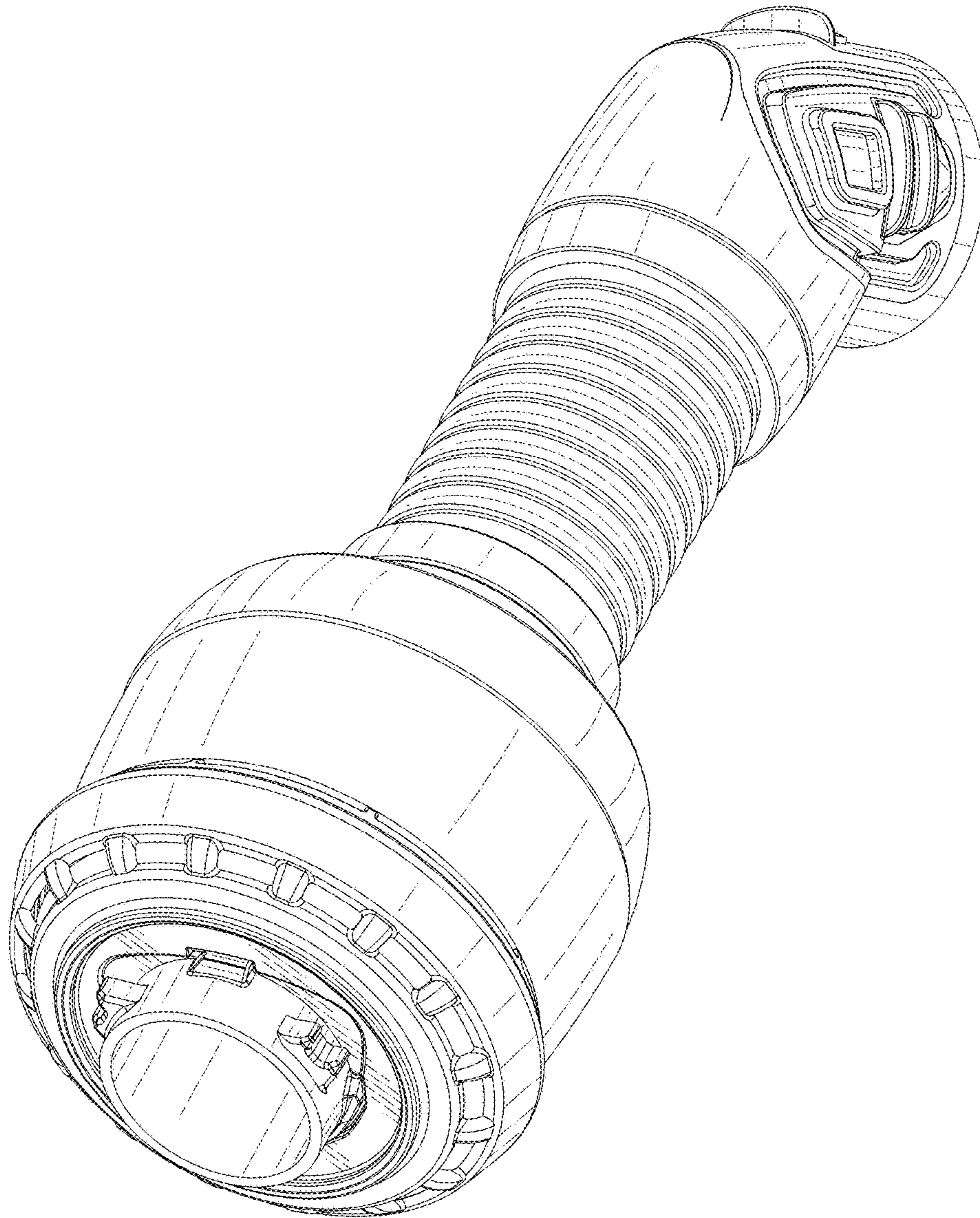


FIG. 1

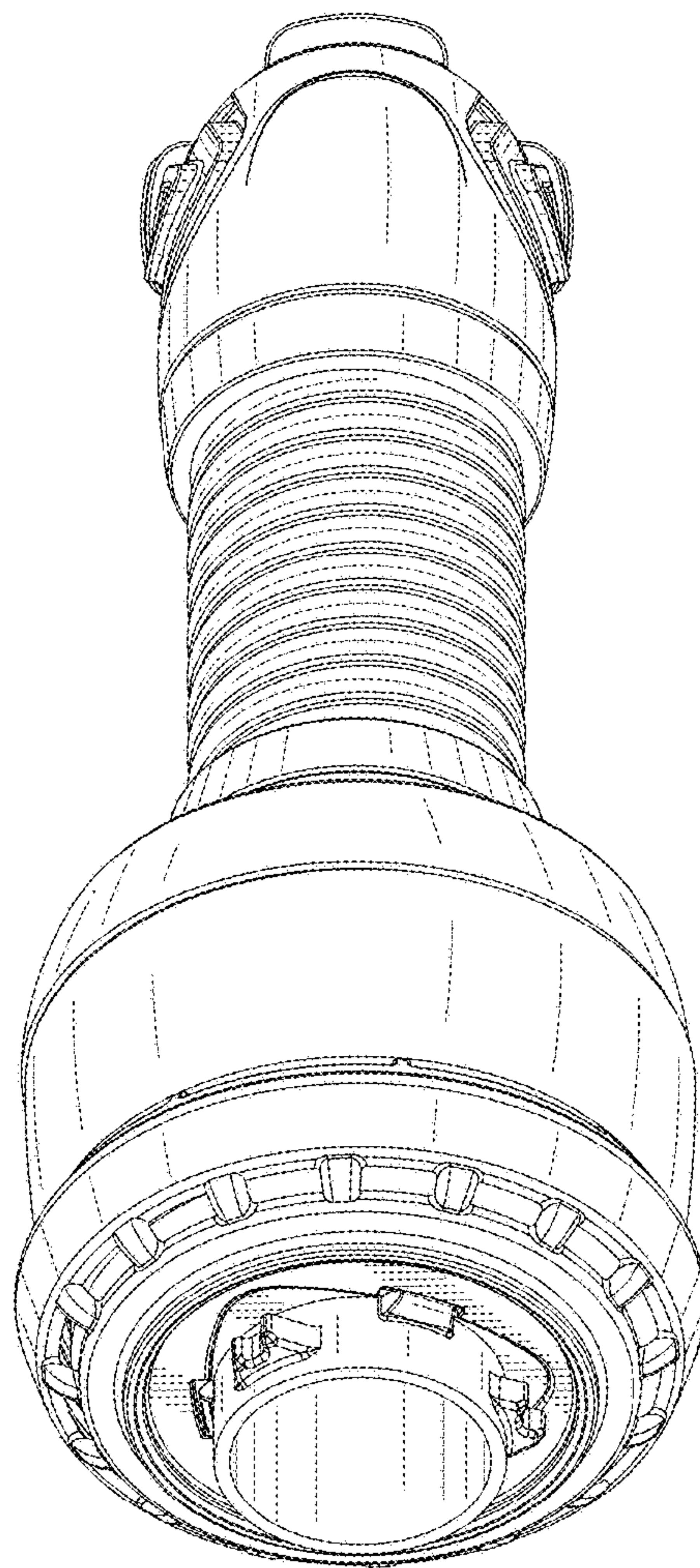


FIG. 2

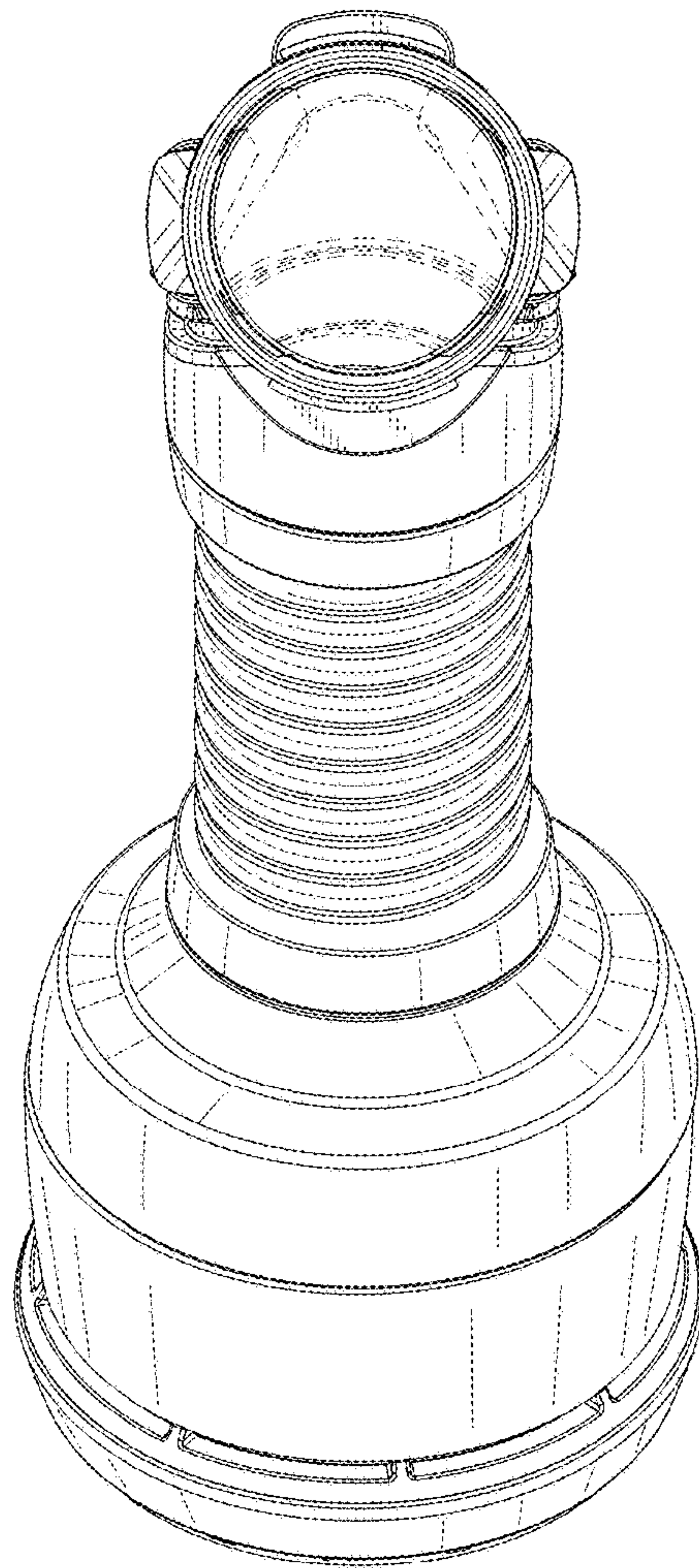


FIG. 3

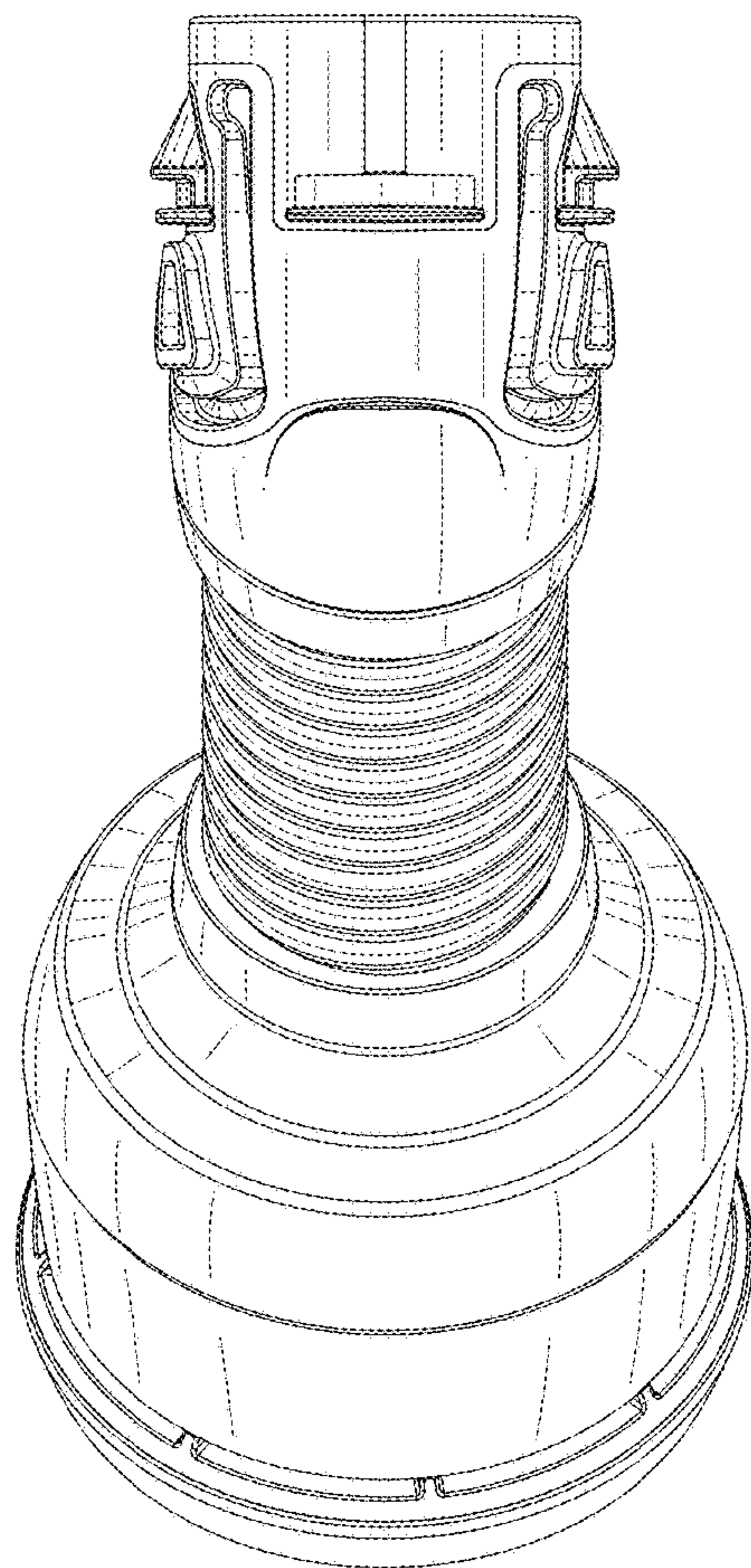


FIG. 4

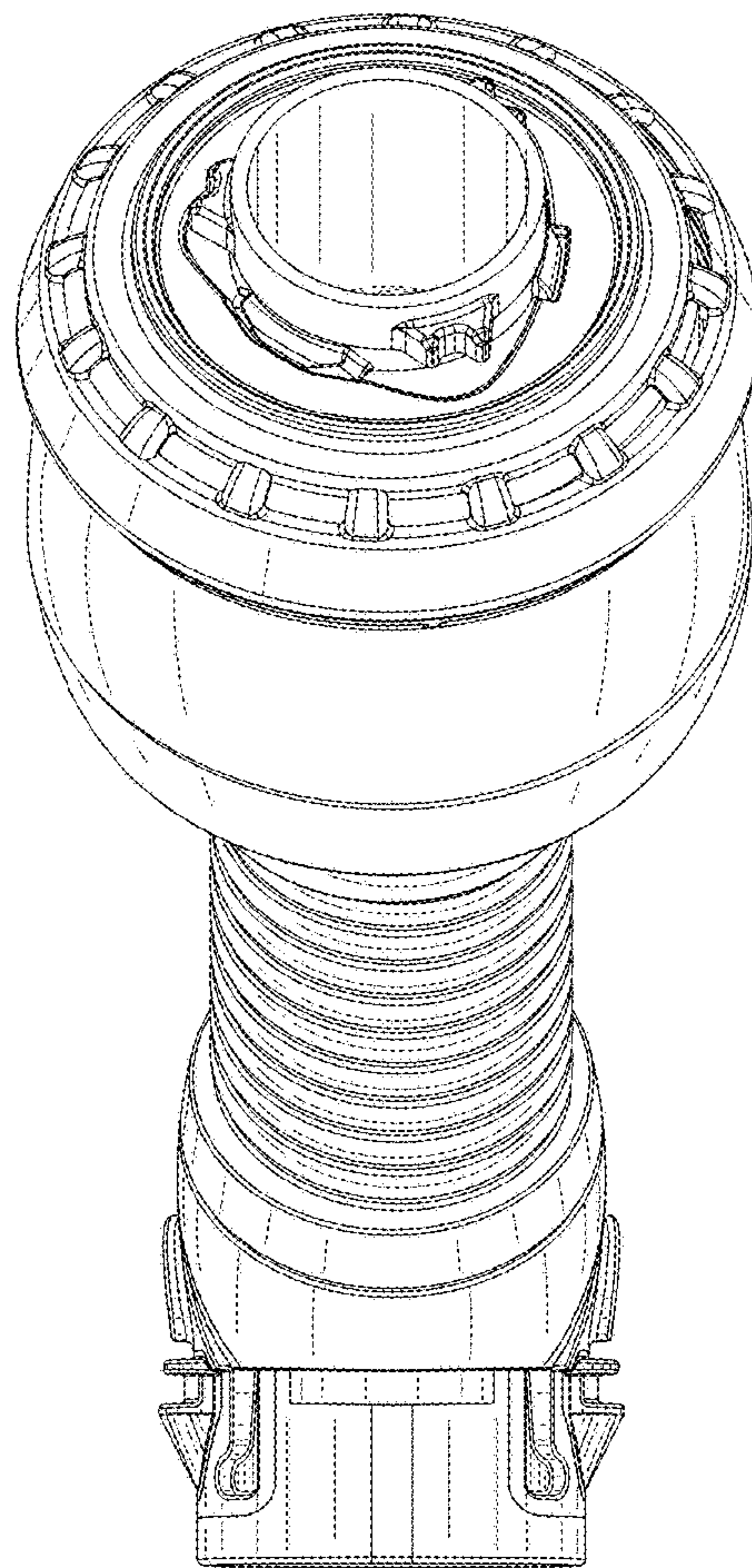


FIG. 5

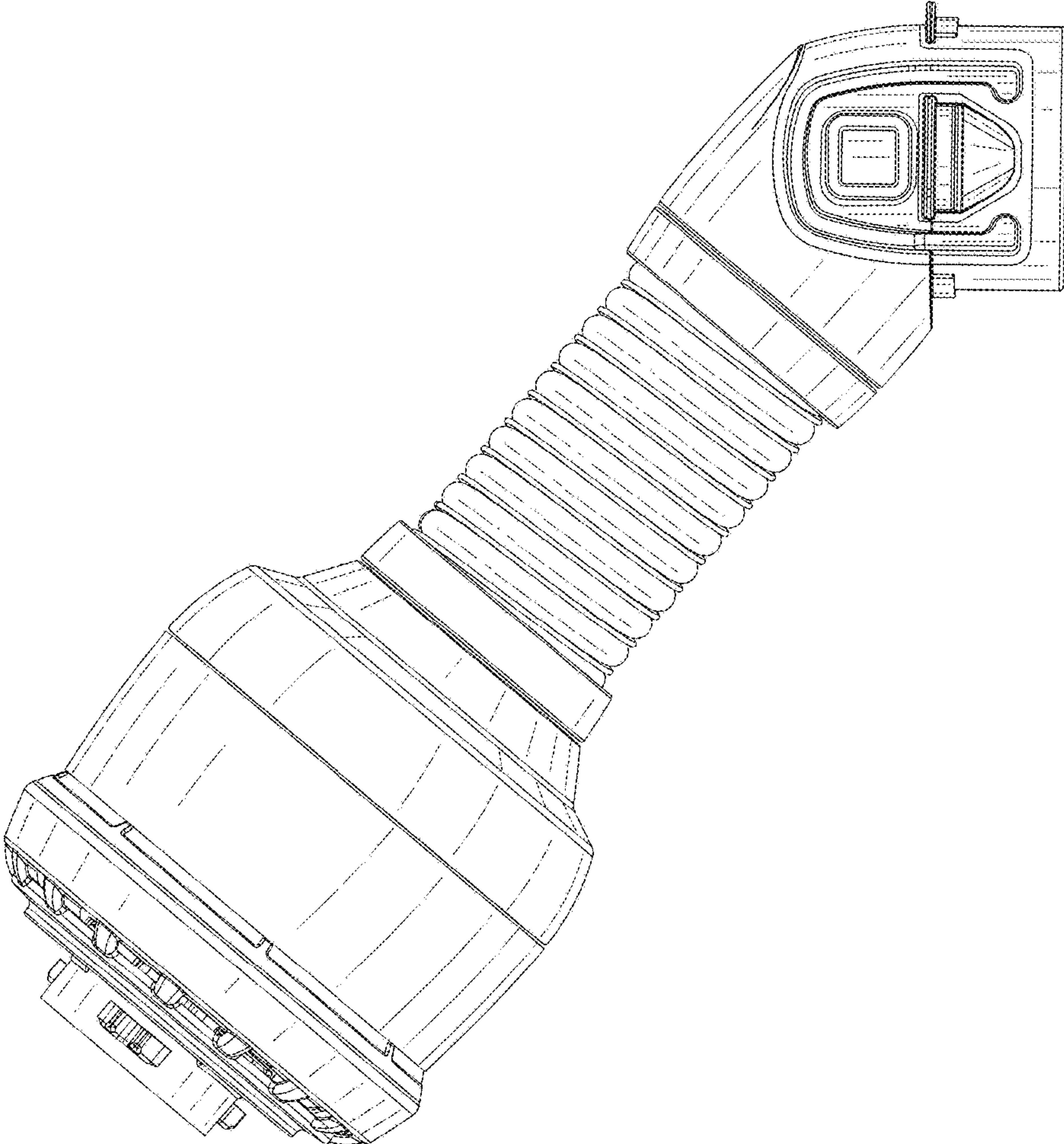


FIG. 6

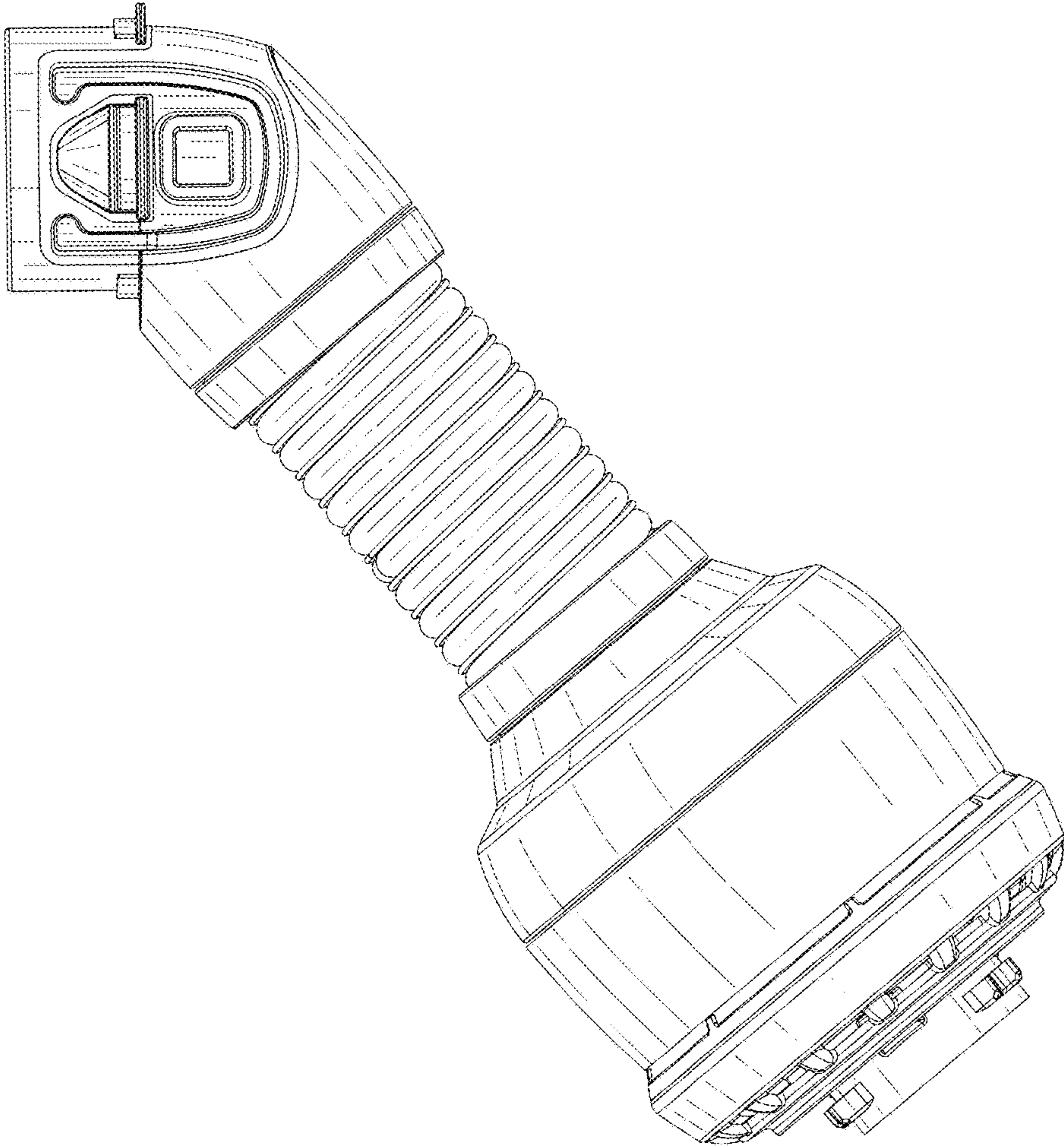


FIG. 7

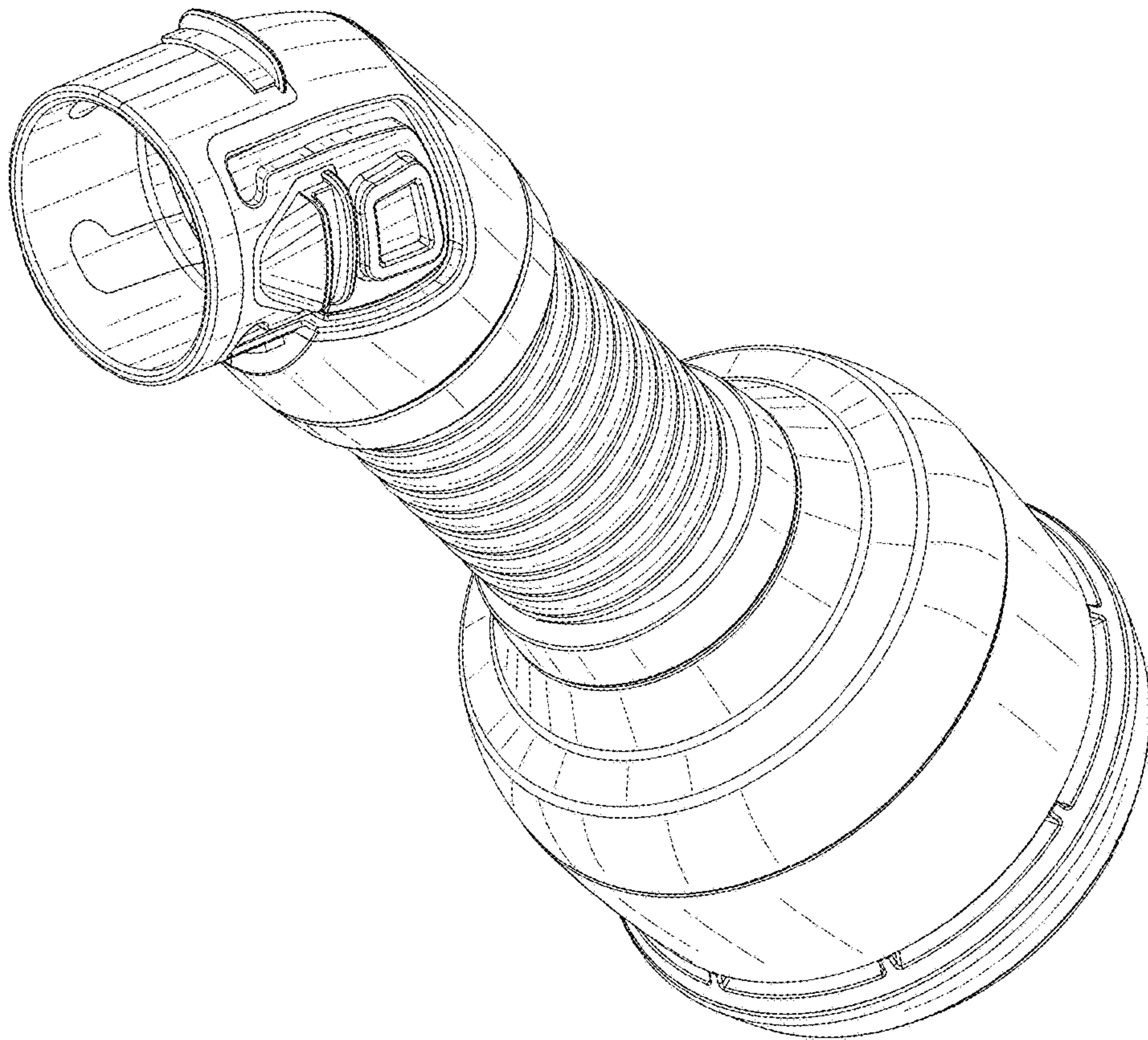


FIG. 8

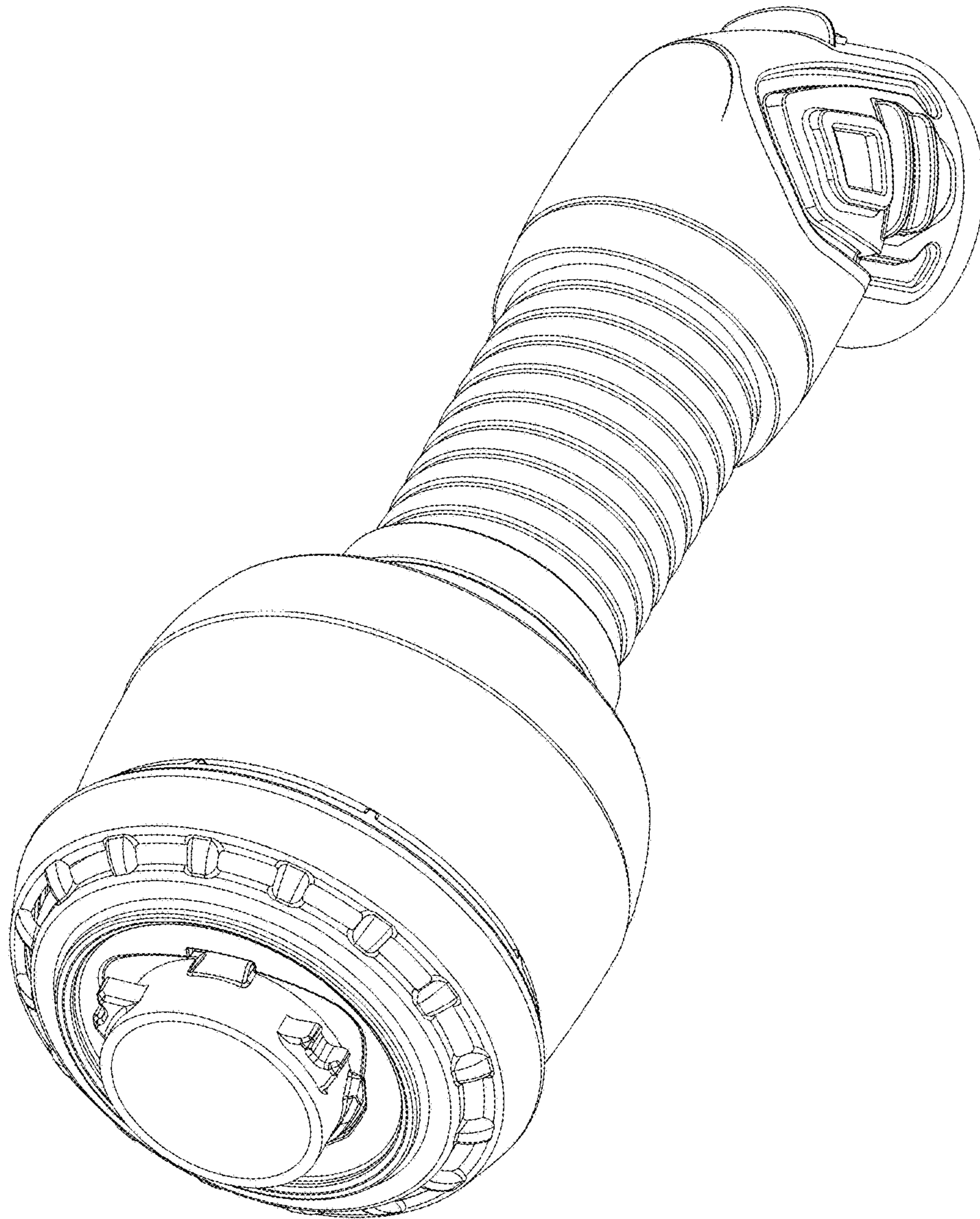


FIG. 9

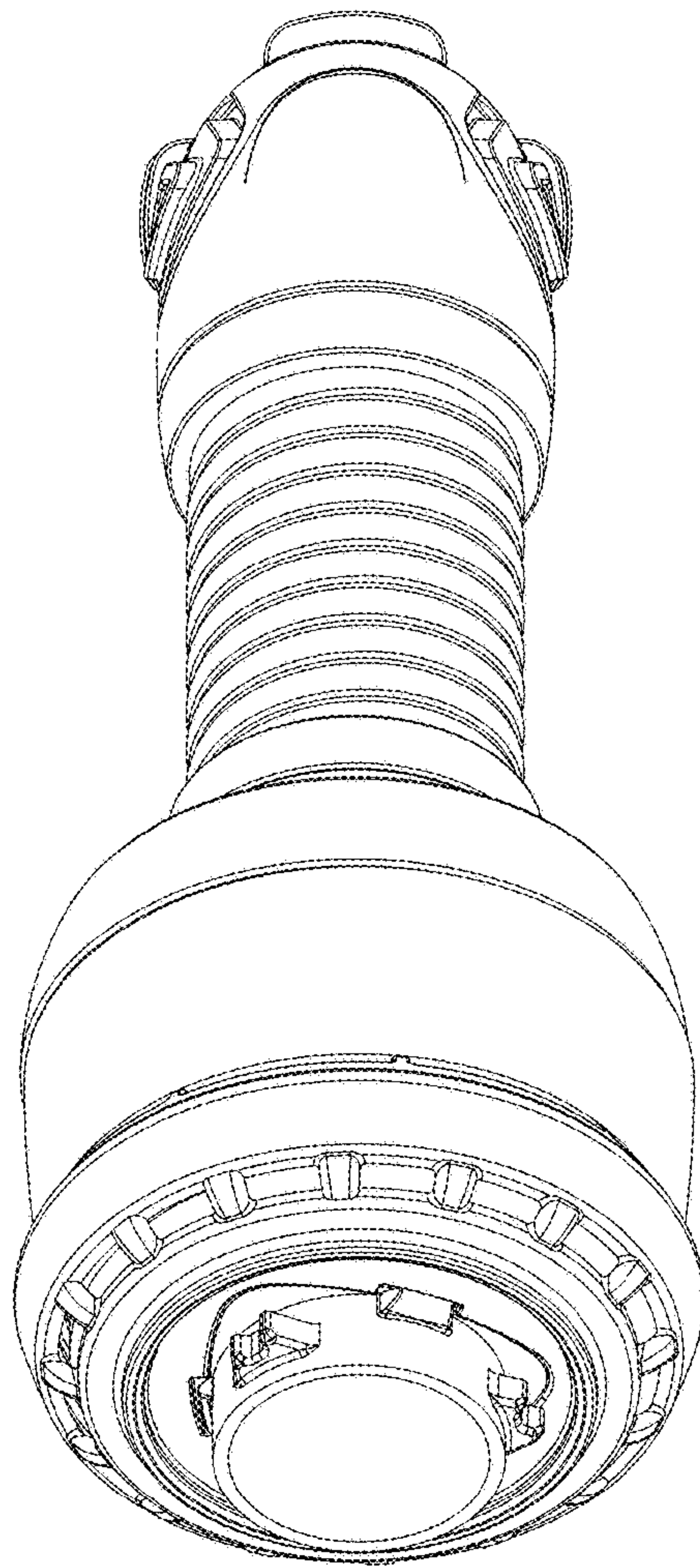


FIG. 10

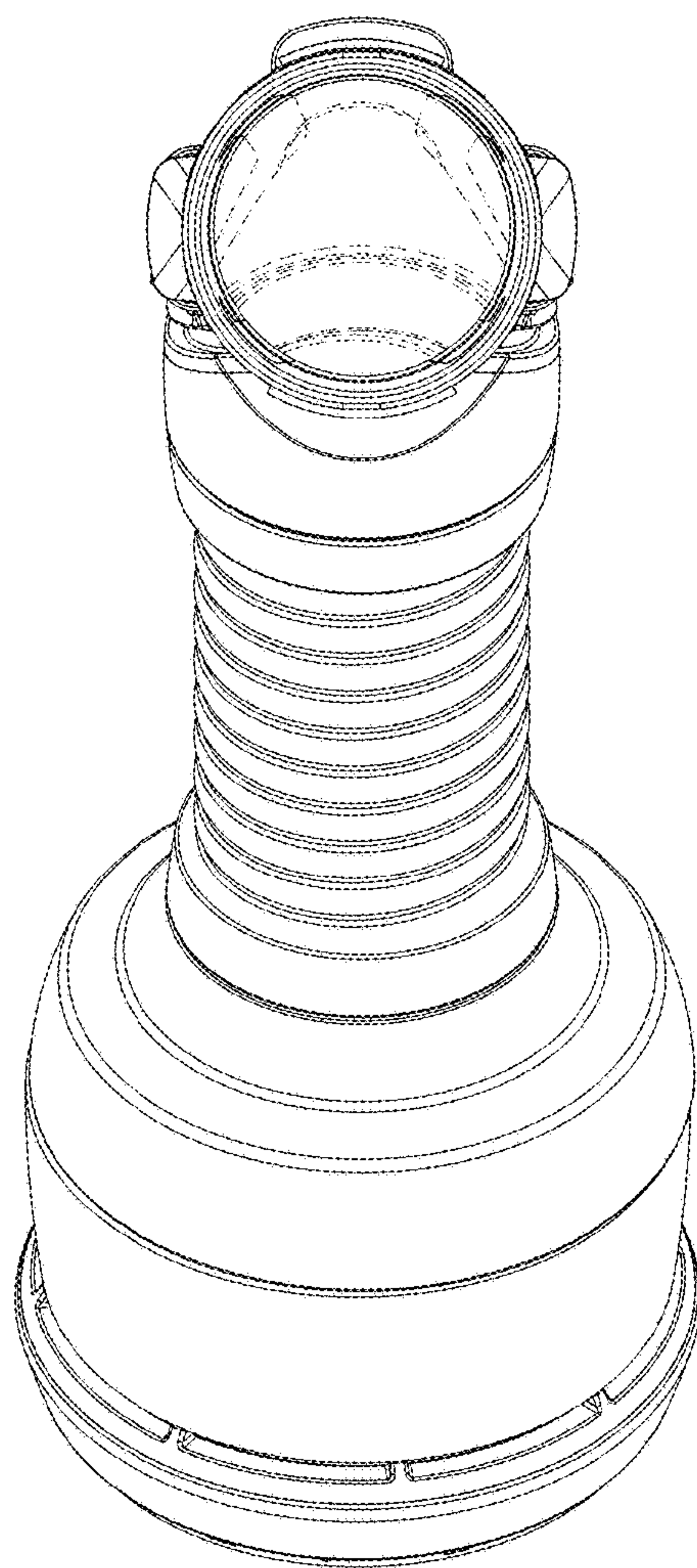


FIG. 11

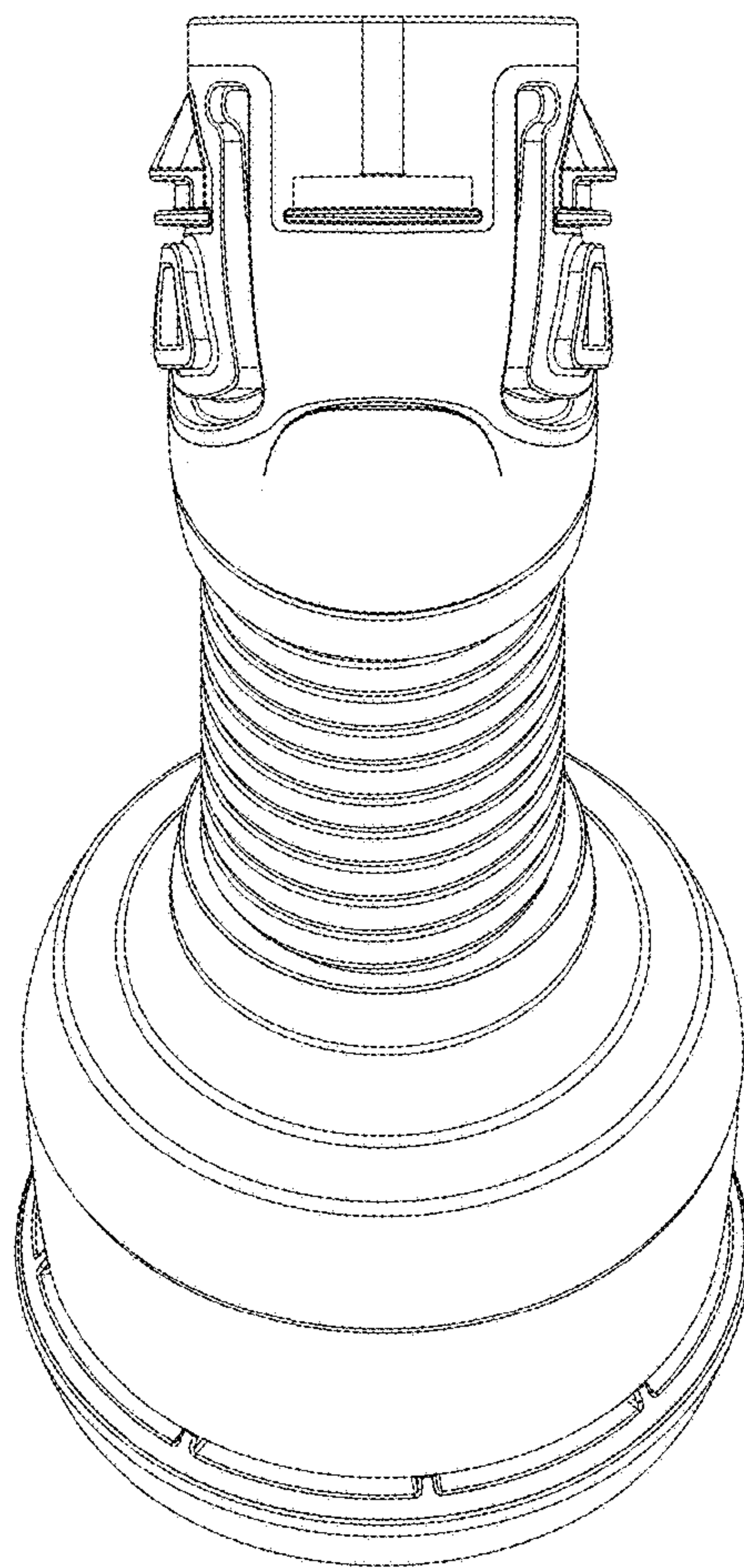


FIG. 12

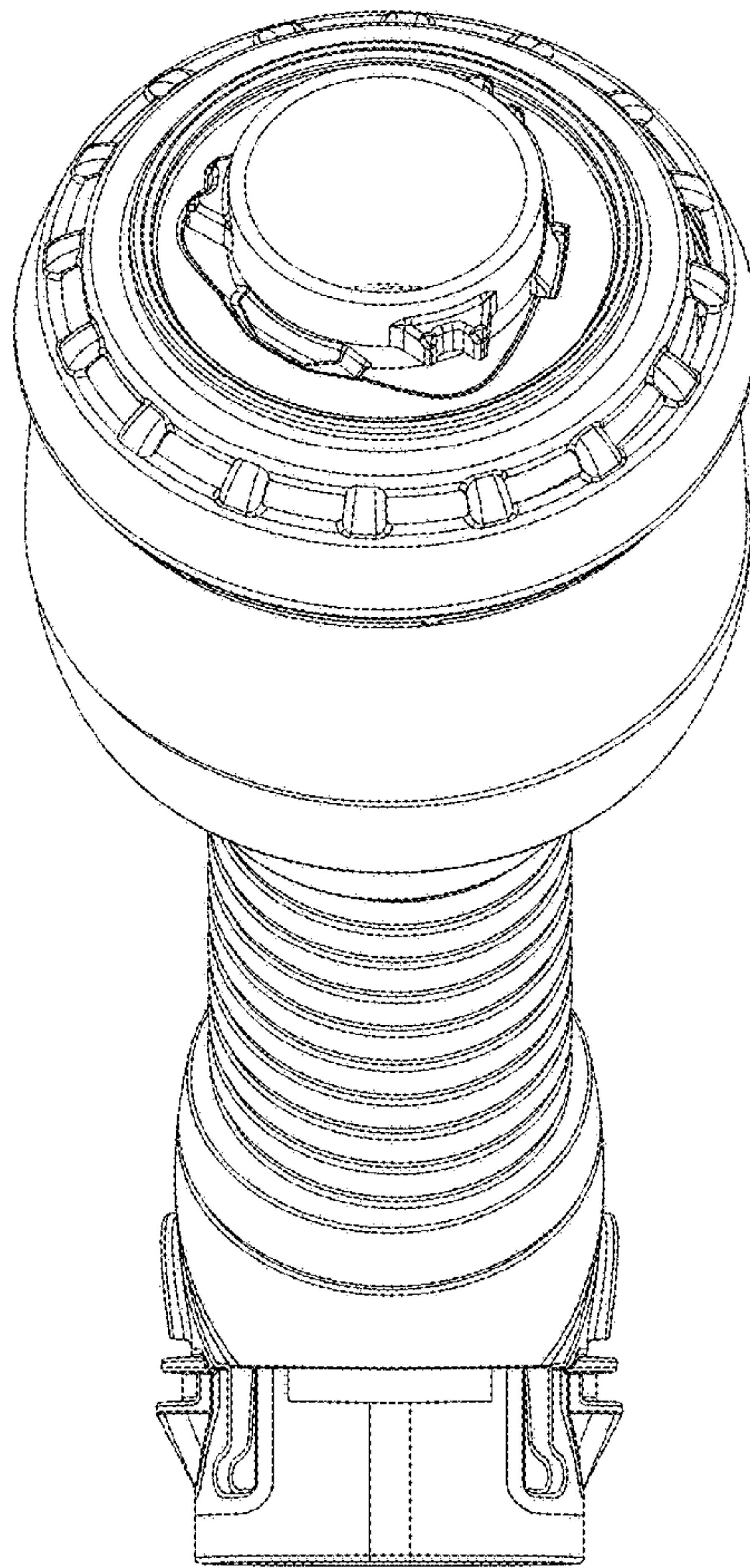


FIG. 13

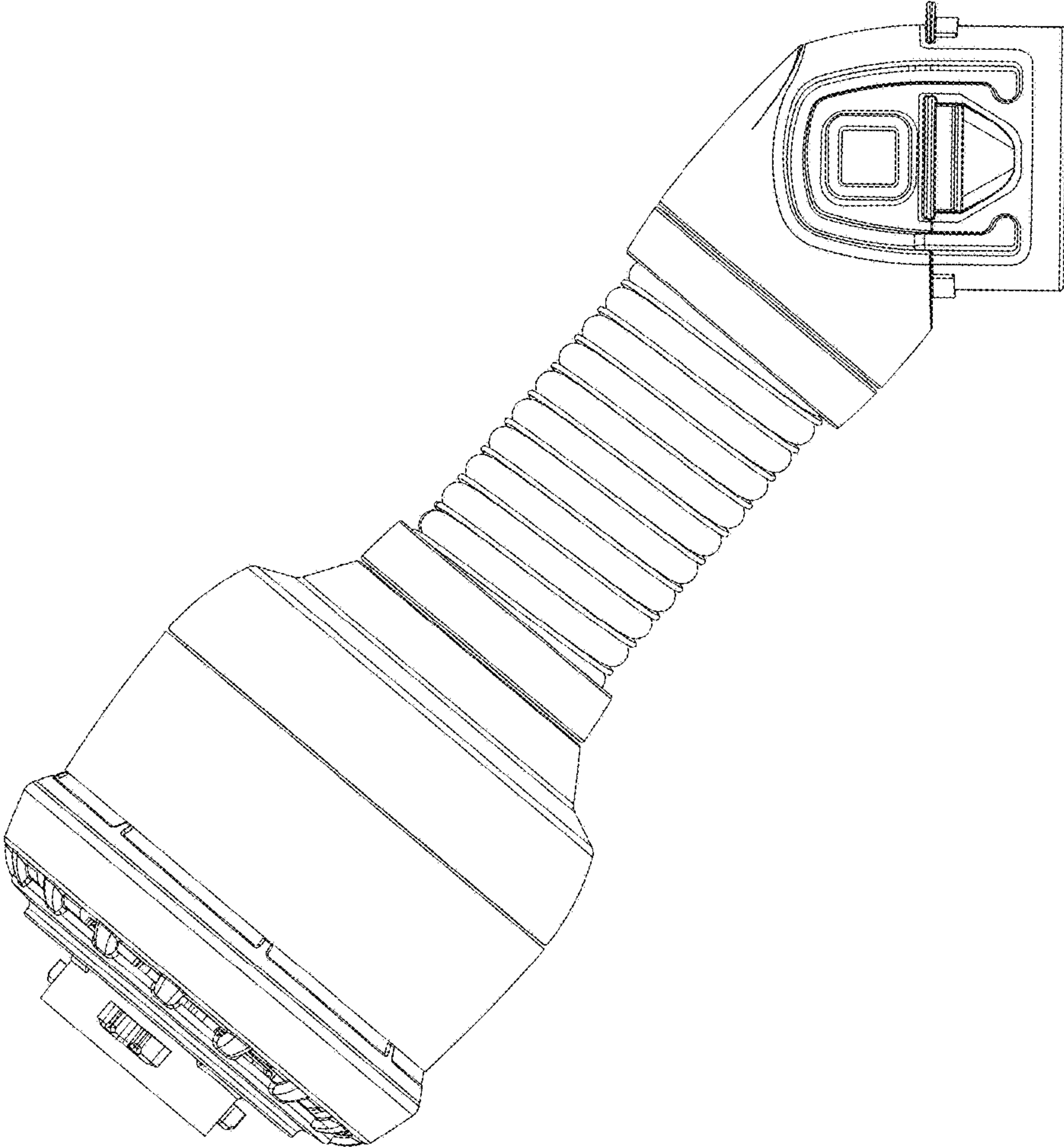


FIG. 14

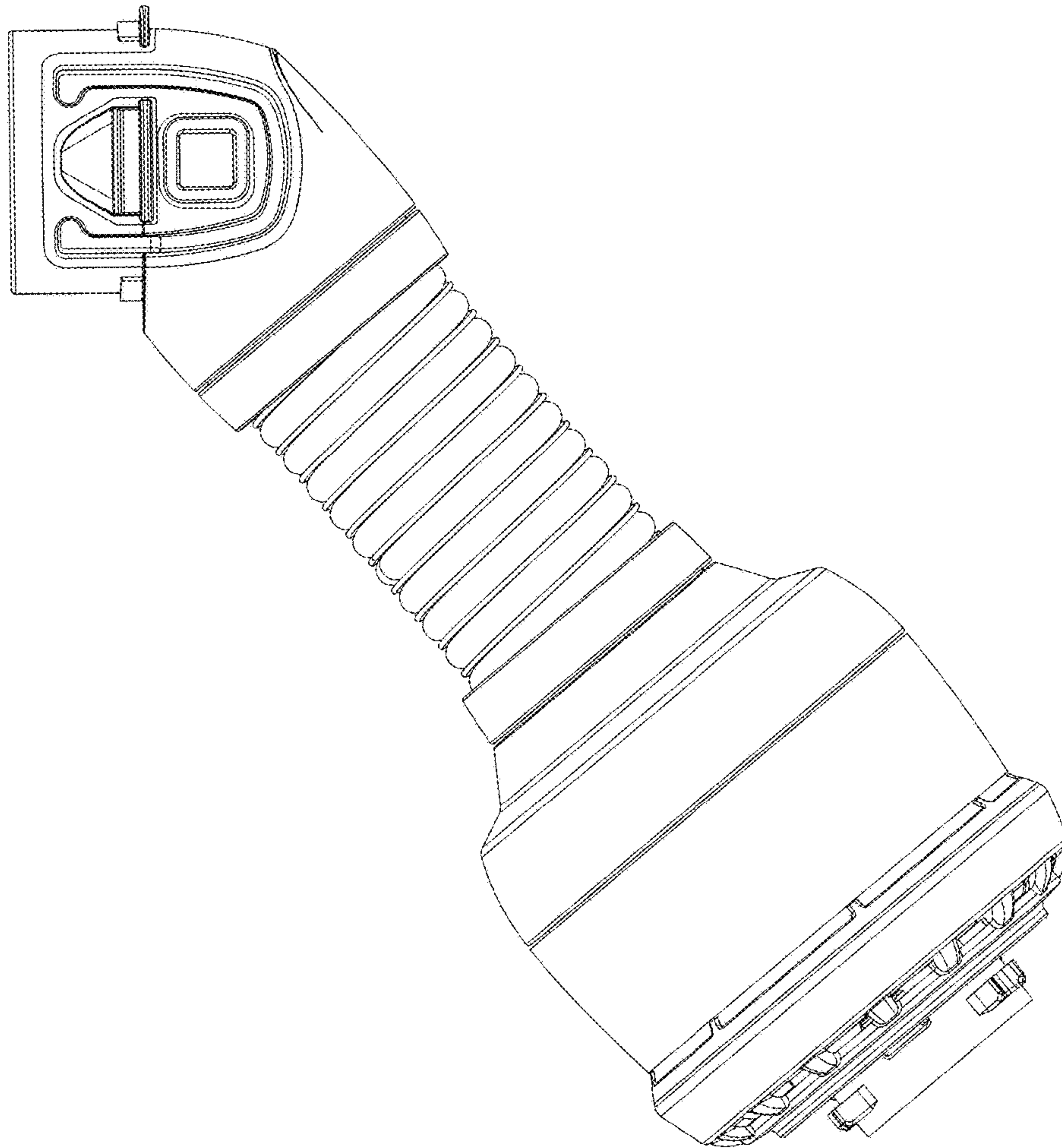


FIG. 15

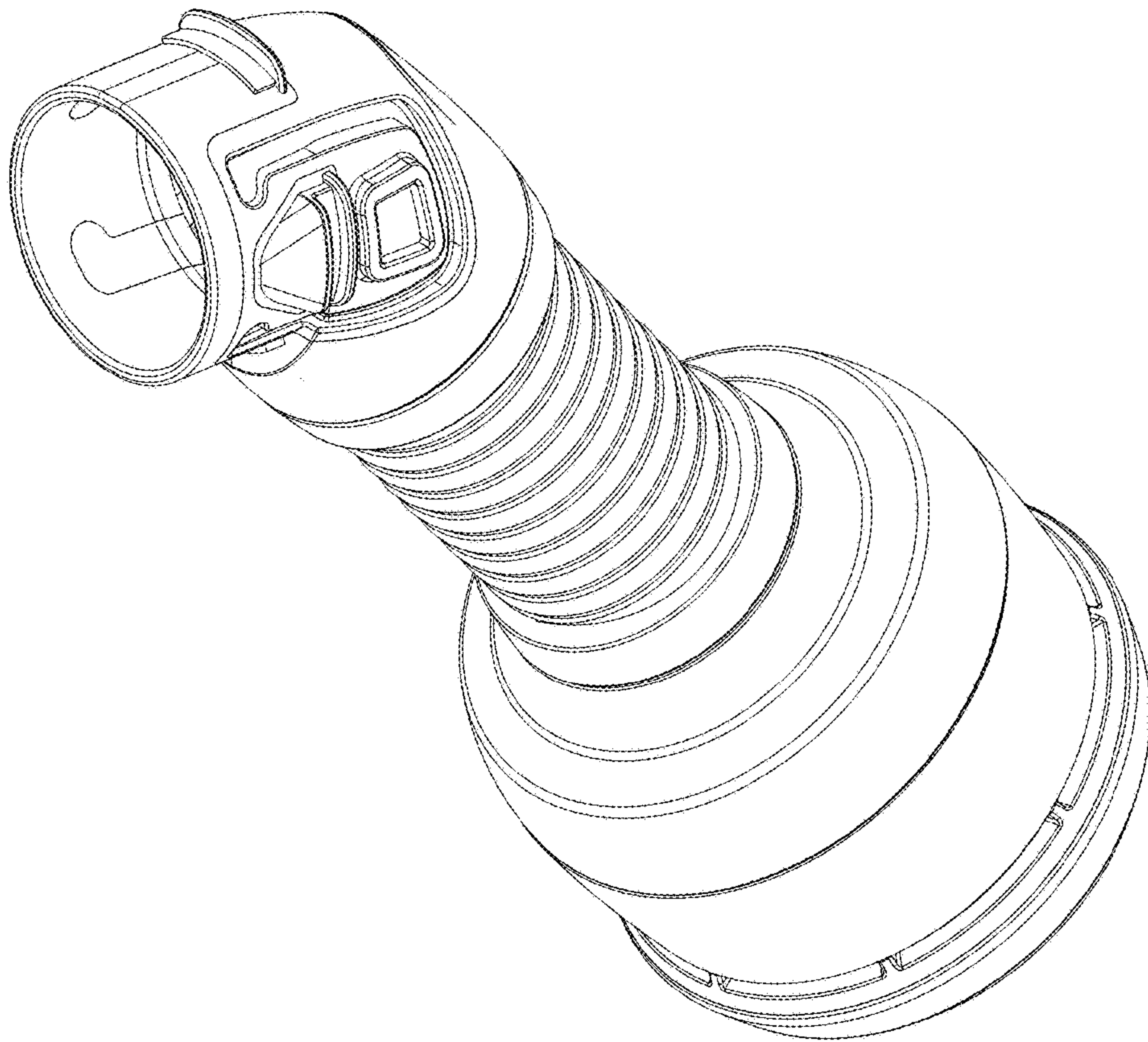


FIG. 16