



US00D863544S

(12) **United States Design Patent** (10) **Patent No.:** **US D863,544 S**  
**Collazo et al.** (45) **Date of Patent:** **\*\* \*Oct. 15, 2019**

(54) **RESPIRATORY MASK**

(56) **References Cited**

(71) Applicant: **InnoMed Healthscience, Inc.**, Coconut Creek, FL (US)

U.S. PATENT DOCUMENTS

(72) Inventors: **Louis Javier Collazo**, Pompano Beach, FL (US); **Christopher Agami**, Coral Springs, FL (US); **Bruce M. Sher**, North Palm Beach, FL (US); **Shara A. Hernandez**, Davie, FL (US)

D377,089 S	*	12/1996	Starr	.....	D24/110.1
D494,675 S	*	8/2004	Guney	.....	D24/110.1
D530,007 S	*	10/2006	Guney	.....	D24/110.1
D582,545 S	*	12/2008	Omura	.....	D24/110.1
D585,981 S	*	2/2009	Moore	.....	D24/110.1
D588,689 S	*	3/2009	Guney	.....	D24/110.1
D597,200 S	*	7/2009	Grimsley	.....	D24/110.1
D613,850 S	*	4/2010	Holmquist-Brown	....	D24/110.1
D614,761 S	*	4/2010	Brambilla	.....	D24/110.1
D770,035 S	*	10/2016	Prentice	.....	D24/110.1
D823,455 S	*	7/2018	Bornholdt	.....	D24/110.4

(73) Assignee: **InnoMed Healthscience, Inc.**, Coconut Creek, FL (US)

\* cited by examiner

(\* ) Notice: This patent is subject to a terminal disclaimer.

*Primary Examiner* — Sheryl Lane

*Assistant Examiner* — Aula Soroush

(\*\*) Term: **15 Years**

(74) *Attorney, Agent, or Firm* — Maier & Maier, PLLC

(21) Appl. No.: **29/626,212**

(57) **CLAIM**

The ornamental design for a respiratory mask, as shown and described.

(22) Filed: **Nov. 15, 2017**

**DESCRIPTION**

(51) **LOC (12) Cl.** ..... **29-02**

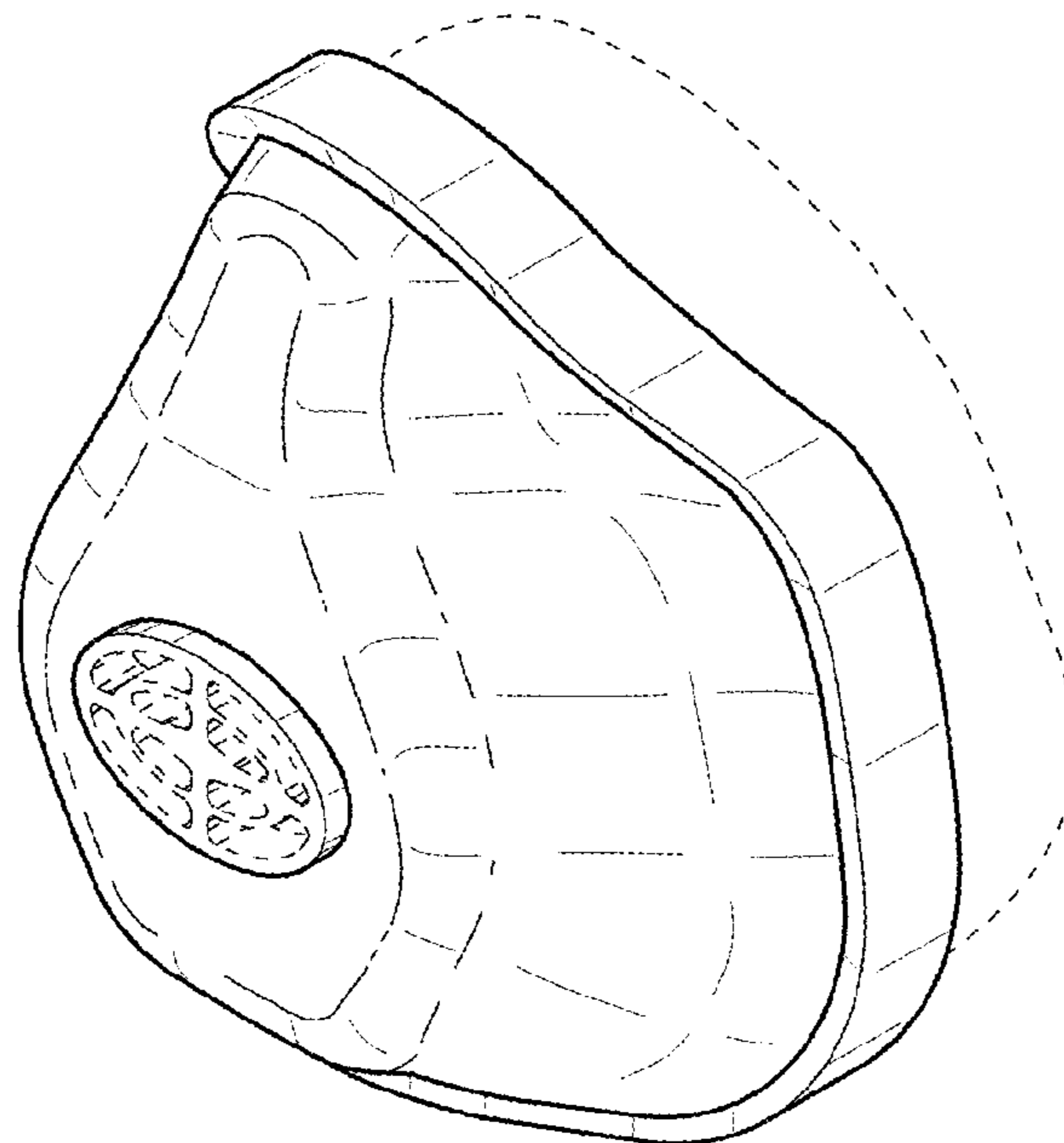
(52) **U.S. Cl.**  
USPC ..... **D24/110.2**

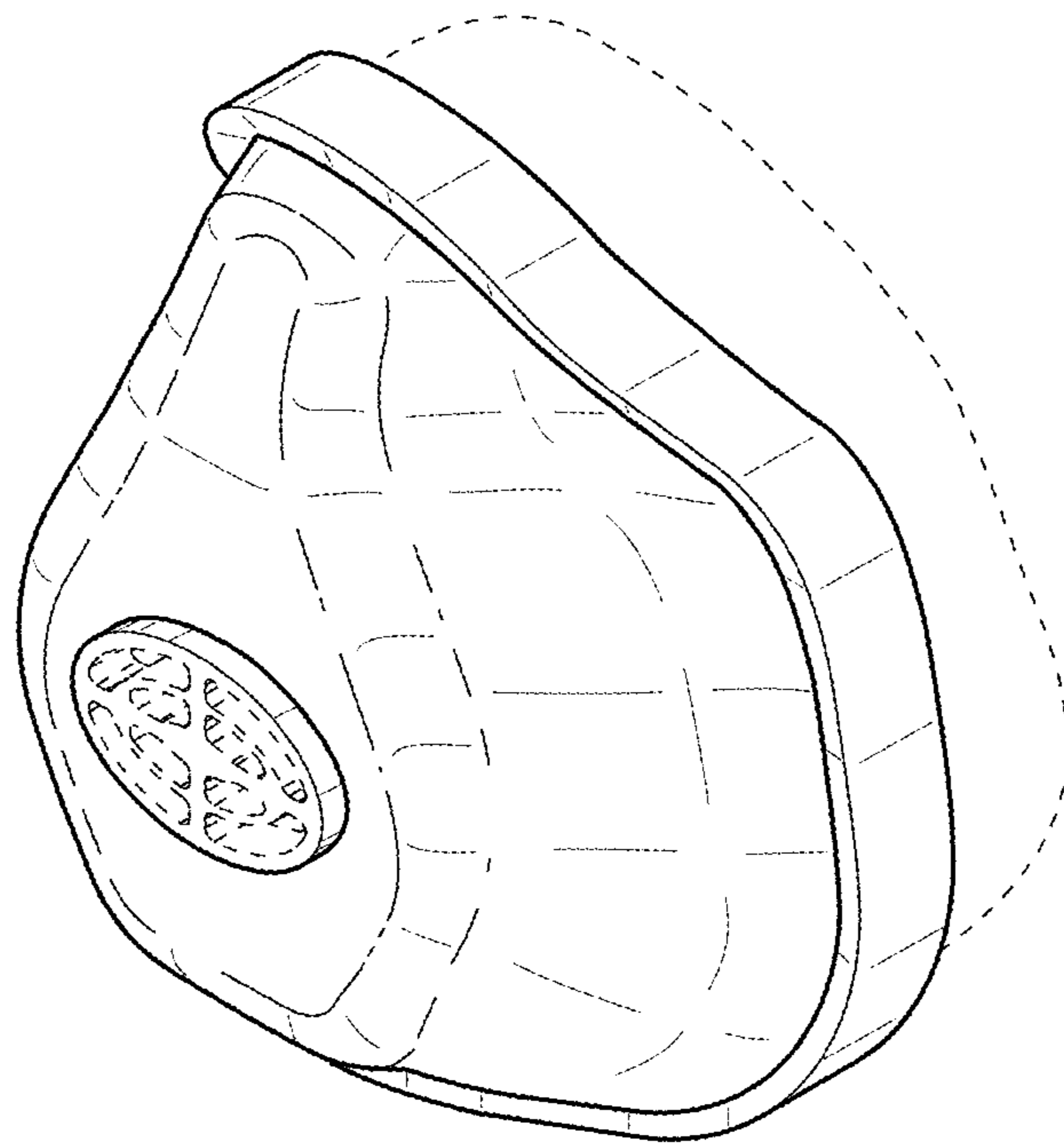
(58) **Field of Classification Search**  
USPC ..... D24/110-110.6, 127, 129; D29/110  
CPC ..... A61M 16/0616; A61M 16/0633; A61M 16/06; A61M 16/0666; A61M 16/0683; A61M 16/0605; A61M 16/0622; A61M 16/0644; A61M 16/0875; A61M 16/0816; A61M 16/08; B63C 11/205; B63C 11/16; B63C 11/186; B63C 11/12

FIG. 1 is a front perspective view of a respiratory mask; FIG. 2 is a rear perspective view thereof; FIG. 3 is a front elevation view thereof; FIG. 4 is a rear elevation view thereof; FIG. 5 is a right elevation view thereof; FIG. 6 is a left elevation view thereof; FIG. 7 is a top plan view thereof; and, FIG. 8 is a bottom plan view thereof. The broken line showing of portions of the respiratory mask form no part of the claimed design.

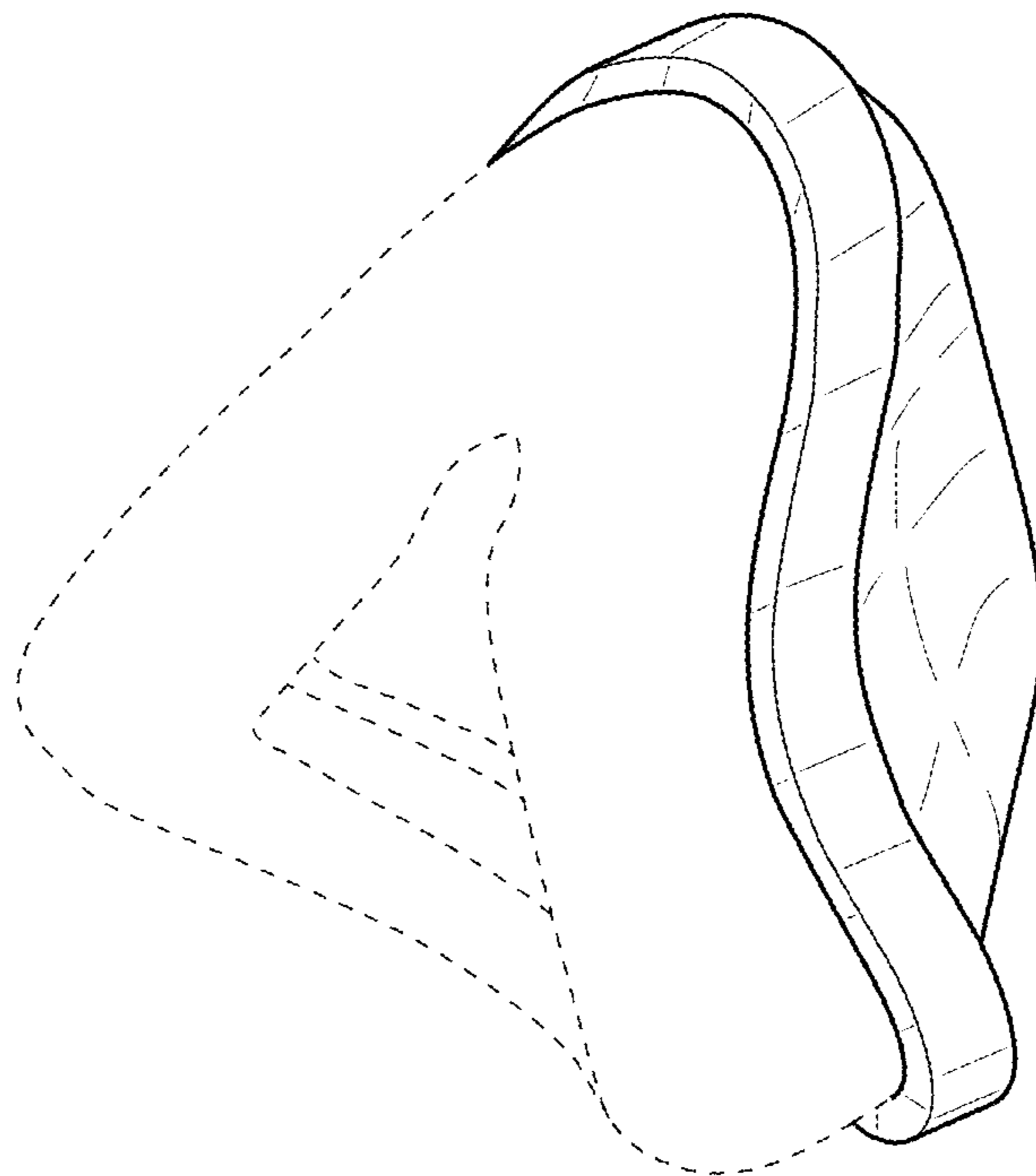
See application file for complete search history.

**1 Claim, 4 Drawing Sheets**

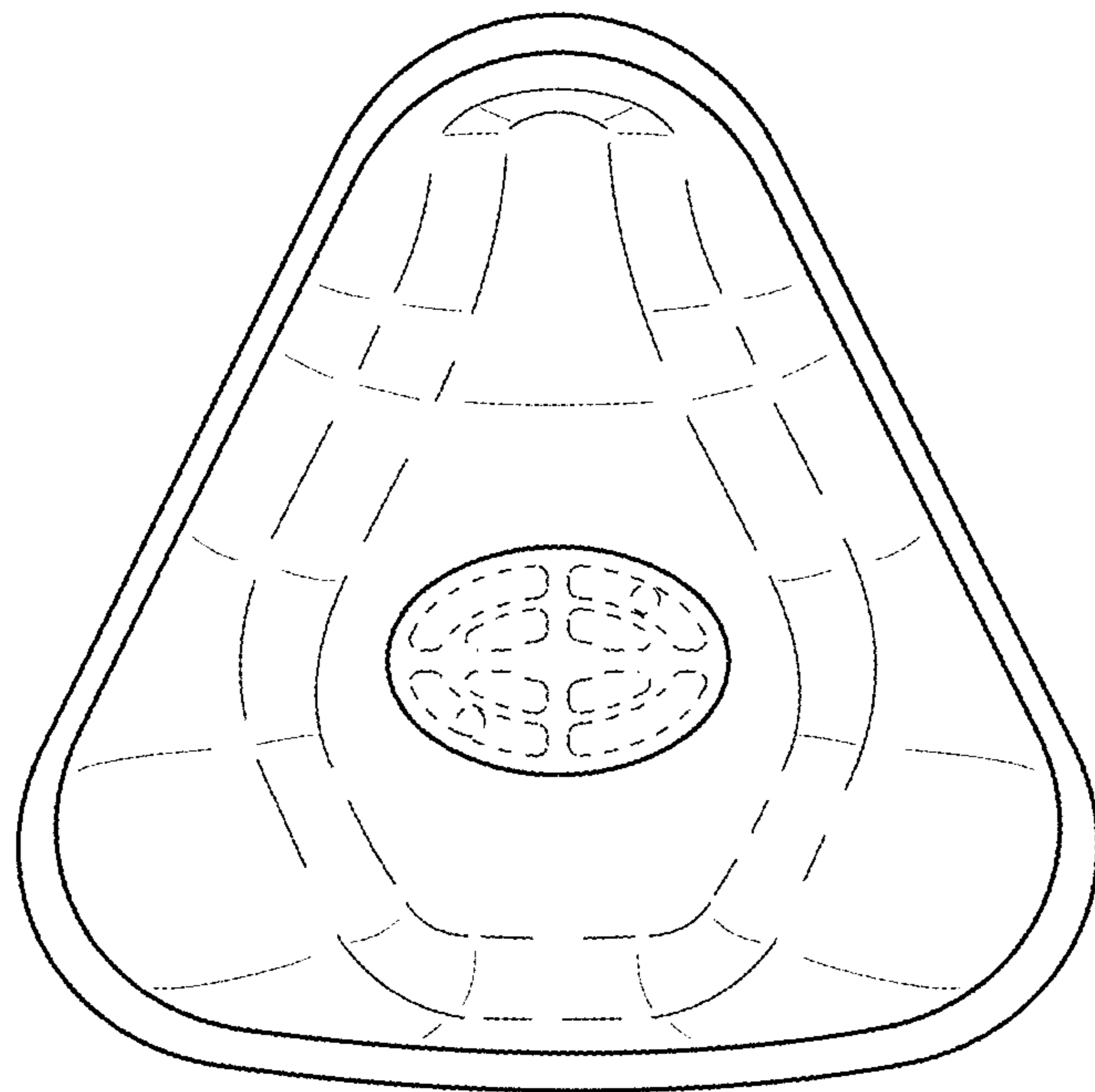




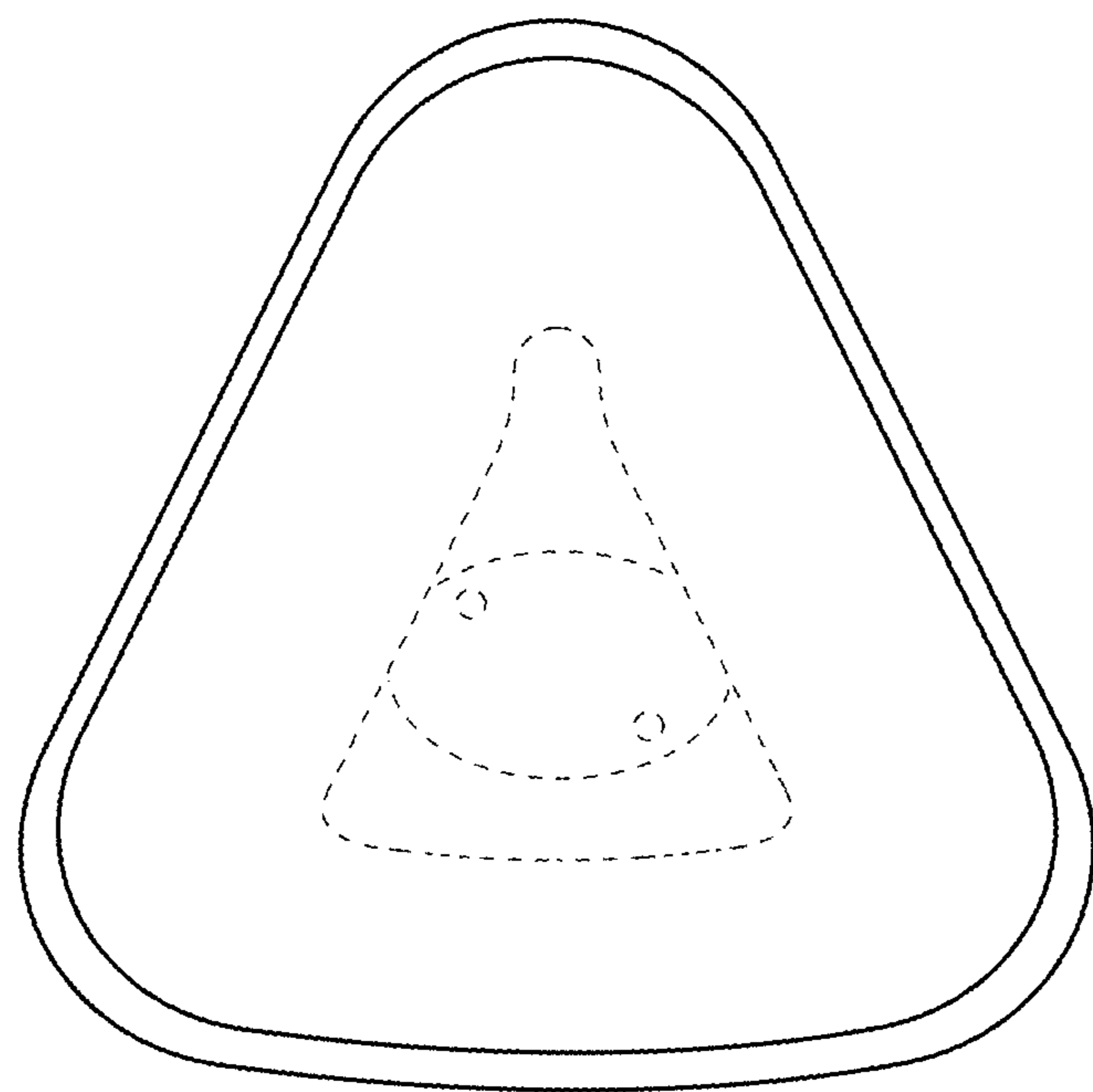
*Fig. 1*



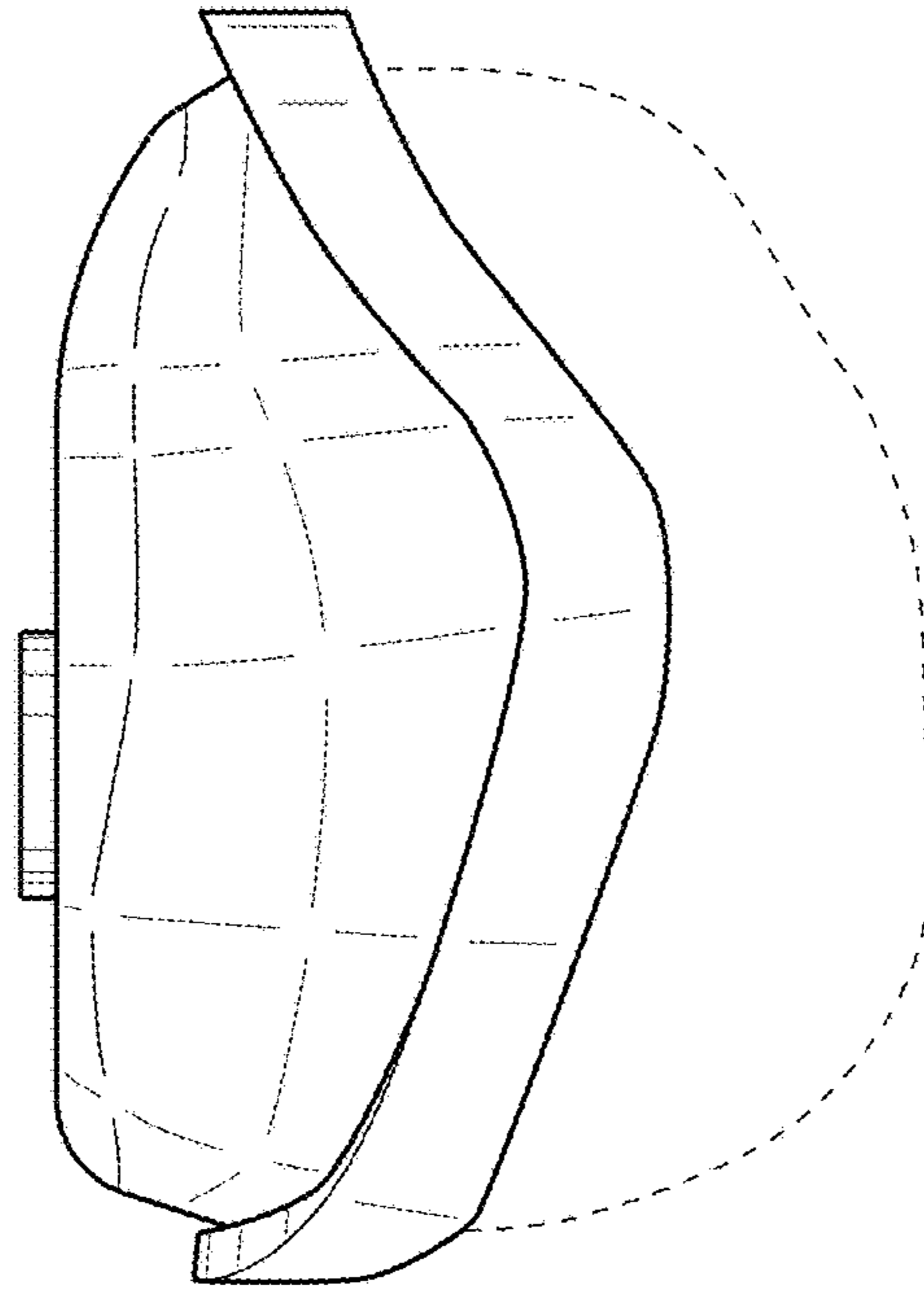
*Fig. 2*



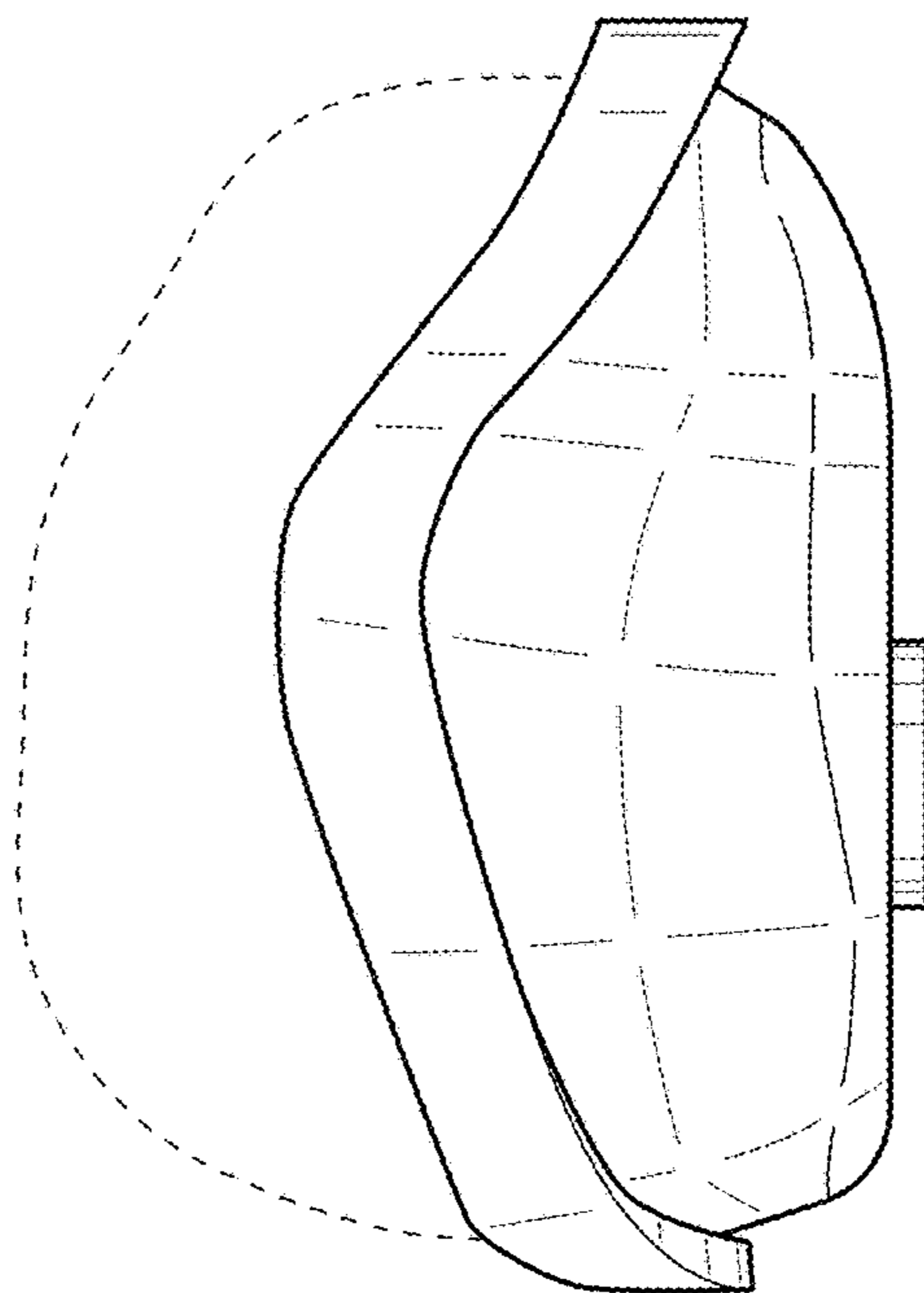
*Fig. 3*



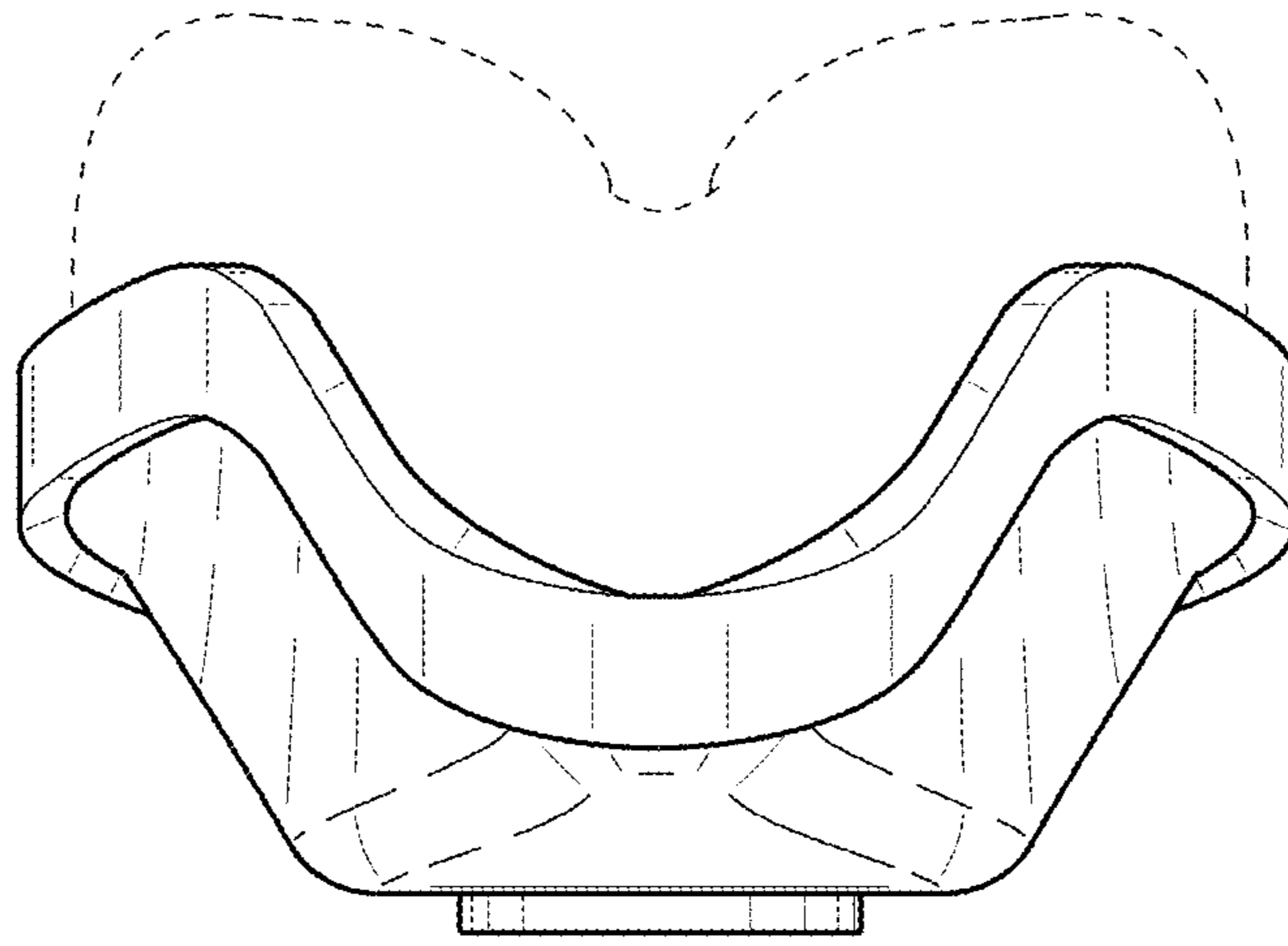
*Fig. 4*



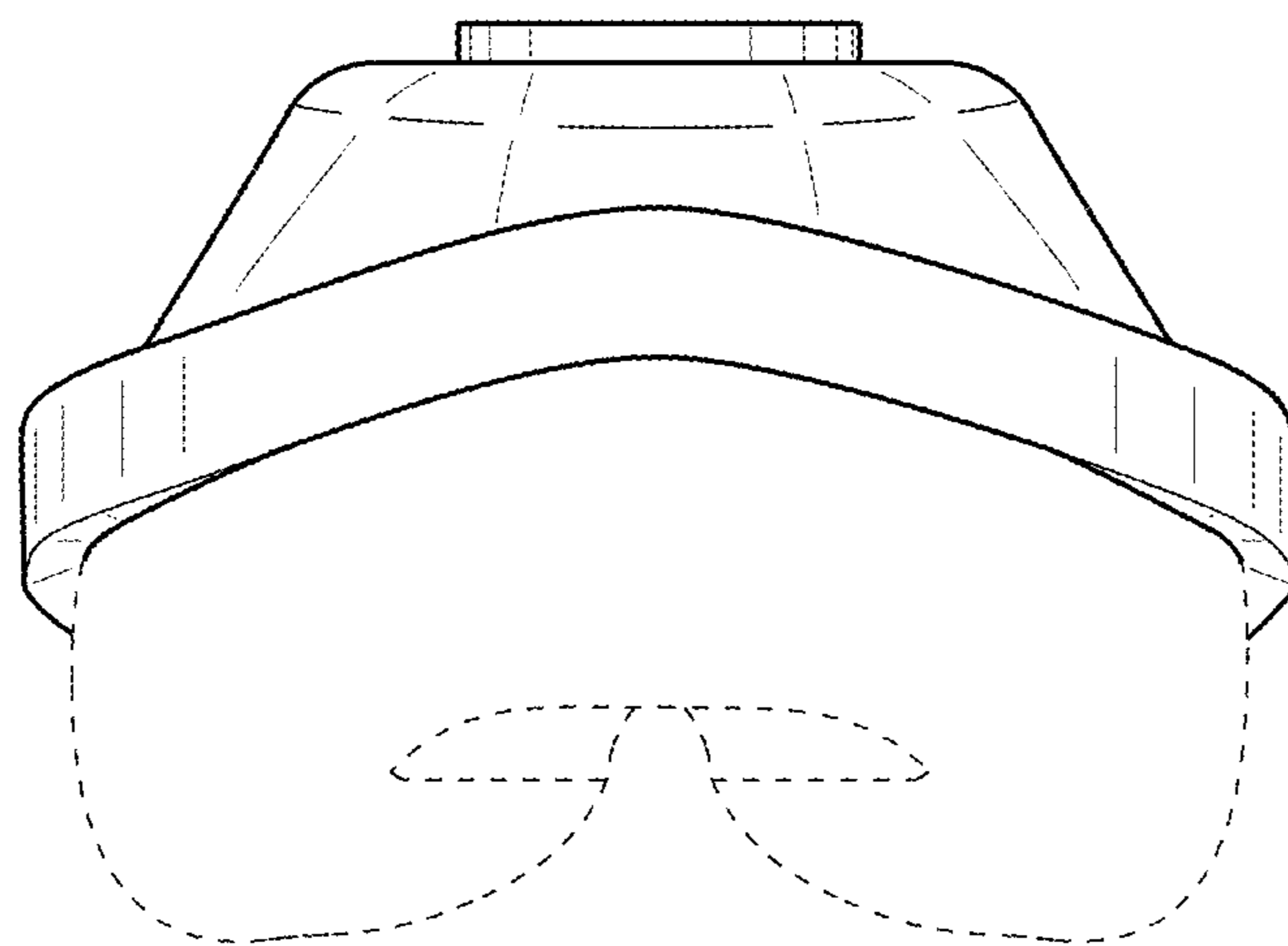
*Fig. 5*



*Fig. 6*



*Fig. 7*



*Fig. 8*