



US00D863543S

(12) **United States Design Patent** (10) **Patent No.:** **US D863,543 S**  
**Hu** (45) **Date of Patent:** **\*\* Oct. 15, 2019**

(54) **SNORKELING MASK**

FOREIGN PATENT DOCUMENTS

(71) Applicant: **Guoren Hu**, Guang Dong (CN)

CN 304474963 \* 7/2017  
CN 304478210 \* 7/2017

(72) Inventor: **Guoren Hu**, Guang Dong (CN)

(Continued)

(\*\*) Term: **15 Years**

OTHER PUBLICATIONS

(21) Appl. No.: **29/593,588**

Top 8 Best Full Face Snorkel Masks 2017, posted at vbestseller.com, earliest date reviewed on May 20, 2017, [online], acquired on Apr. 10, 2018. Available from Internet, <URL: <https://vbestseller.com/best-full-face-snorkel-mask-reviews/>> (Year: 2017).\*

(22) Filed: **Feb. 10, 2017**

(51) **LOC (12) Cl.** ..... **29-02**

(52) **U.S. Cl.**

*Primary Examiner* — Lilyana Bekic  
*Assistant Examiner* — Aula Soroush

USPC ..... **D24/110.2**; D24/110.4

(57) **CLAIM**

(58) **Field of Classification Search**

USPC ..... D24/110–110.6, 127, 129; D29/110

The ornamental design for a snorkeling mask, as shown and described.

CPC ..... A61M 16/0616; A61M 16/0633; A61M 16/06; A61M 16/0666; A61M 16/0683;

**DESCRIPTION**

A61M 16/0605; A61M 16/0622; A61M 16/0644; A61M 16/0875; A61M 16/0816; A61M 16/08; B63C 11/205; B63C 11/16; B63C 11/186; B63C 11/12

FIG. 1 is a front elevational view of a snorkeling mask showing my new design;

See application file for complete search history.

FIG. 2 is a rear elevational view thereof;

(56) **References Cited**

U.S. PATENT DOCUMENTS

D503,498 S \* 3/2005 Canavan ..... D29/110  
D552,233 S \* 10/2007 Trujillo ..... D24/110.2  
D582,547 S \* 12/2008 Ungar ..... D24/110.1  
D593,197 S \* 5/2009 Todd ..... D24/110.2  
D602,154 S \* 10/2009 Ono ..... D24/110.2  
D668,327 S \* 10/2012 Sumner ..... D24/110.2  
D668,758 S \* 10/2012 Hall ..... D24/110.2  
D704,327 S \* 5/2014 Lavoie ..... D24/110.2  
D704,328 S \* 5/2014 Lavoie ..... D24/110.2  
D775,722 S \* 1/2017 Caprice ..... D24/110.2

FIG. 3 is a left side view thereof;

FIG. 4 is a right side view thereof;

FIG. 5 is a top plan view thereof;

FIG. 6 is a bottom plan view thereof;

FIG. 7 is a top perspective view thereof;

FIG. 8 is a bottom perspective view thereof;

FIG. 9 is an enlarged view of portion 9 shown in FIG. 1;

FIG. 10 is an enlarged view of portion 10 shown in FIG. 2;

FIG. 11 is an enlarged view of portion 11 shown in FIG. 3;

FIG. 12 is an enlarged view of portion 12 shown in FIG. 4;

FIG. 13 is an enlarged view of portion 13 shown in FIG. 6;

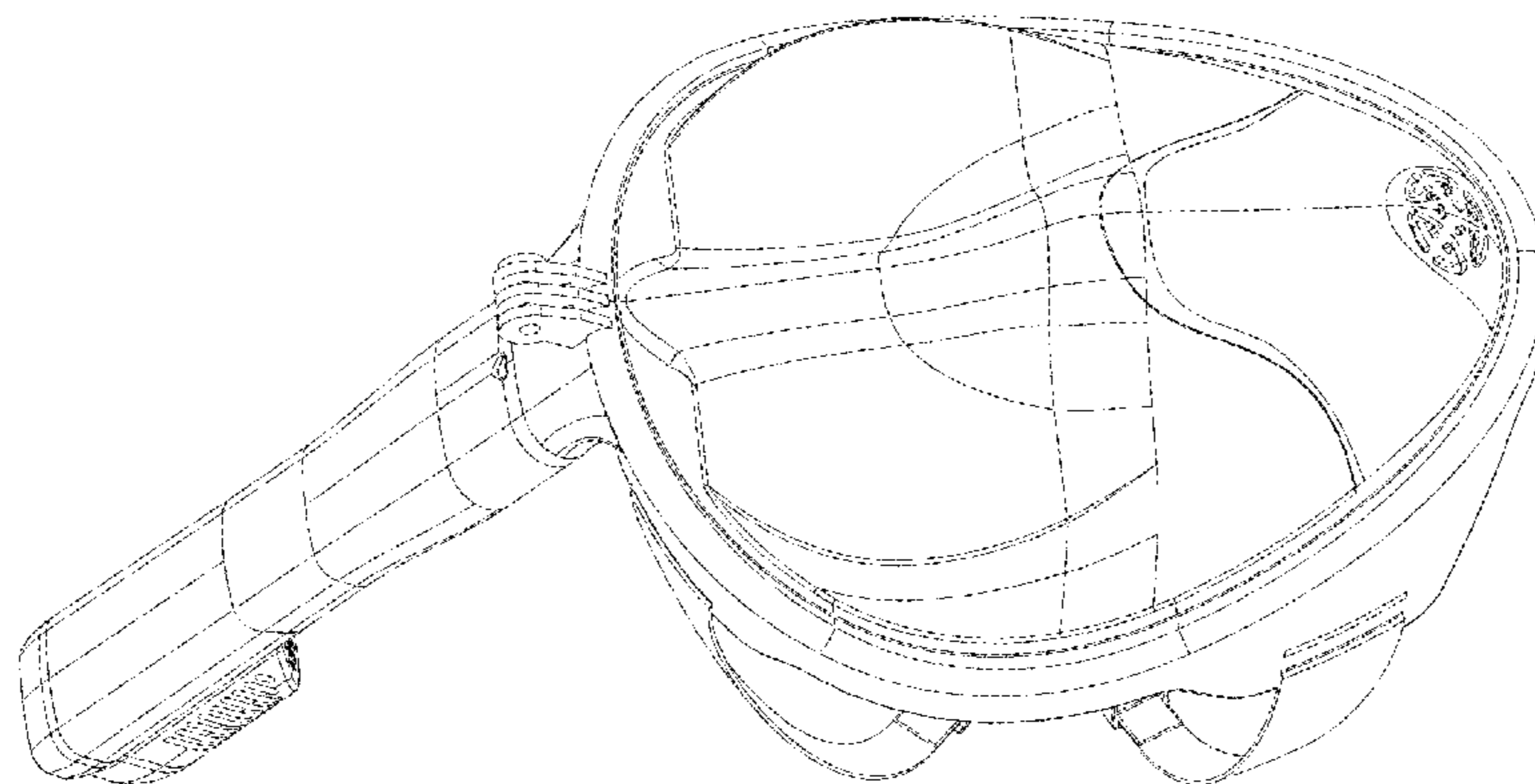
and,

FIG. 14 is an enlarged view of portion 14 shown in FIG. 8.

The broken lines depict portions of the snorkel mask that form no part of the claimed design.

(Continued)

**1 Claim, 12 Drawing Sheets**



(56)

**References Cited**

U.S. PATENT DOCUMENTS

D802,220 S \* 11/2017 Farias ..... D29/110  
2001/0013346 A1\* 8/2001 Lemke ..... B63C 11/16  
128/201.11  
2016/0127716 A1\* 5/2016 Ramiro ..... H04N 13/044  
348/53  
2016/0297505 A1\* 10/2016 Caprice ..... B63C 11/16  
2017/0096204 A1\* 4/2017 Cucchia ..... B63C 11/12  
2017/0334531 A1\* 11/2017 Shiue ..... A62B 9/02

FOREIGN PATENT DOCUMENTS

CN 304531642 \* 7/2017  
CN 304495747 \* 8/2017  
CN 304495750 \* 8/2017

\* cited by examiner

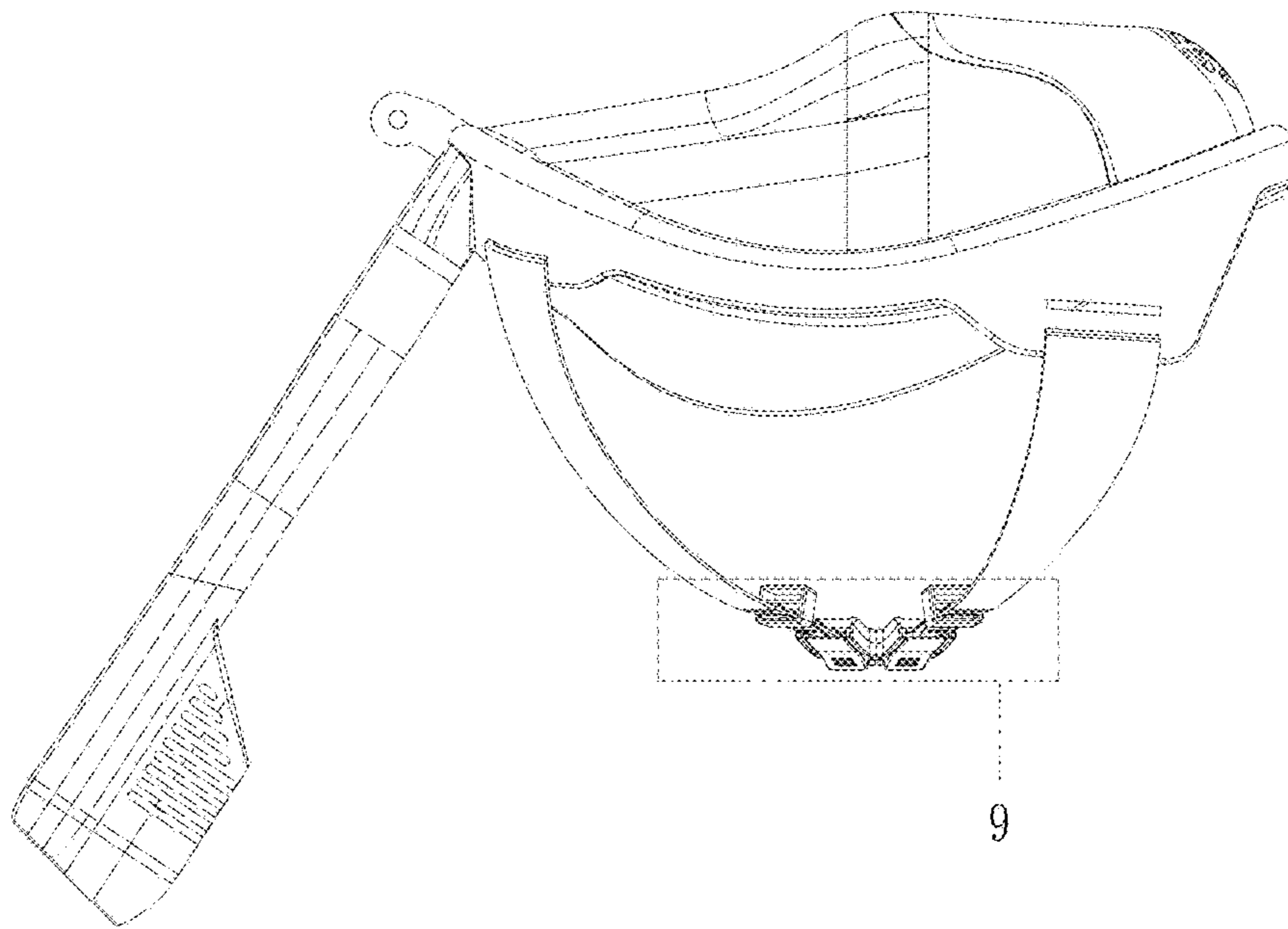


FIG. 1

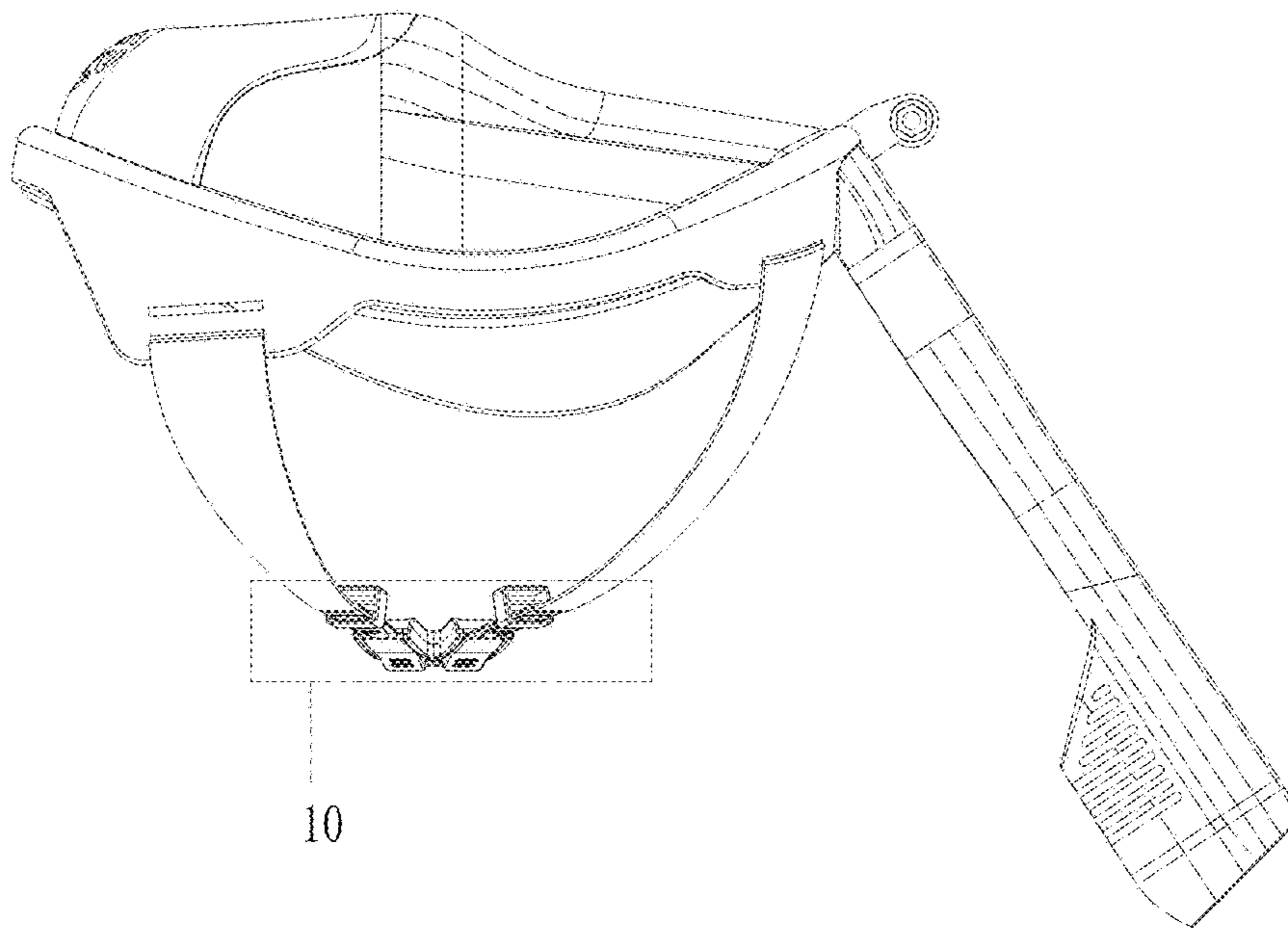


FIG. 2

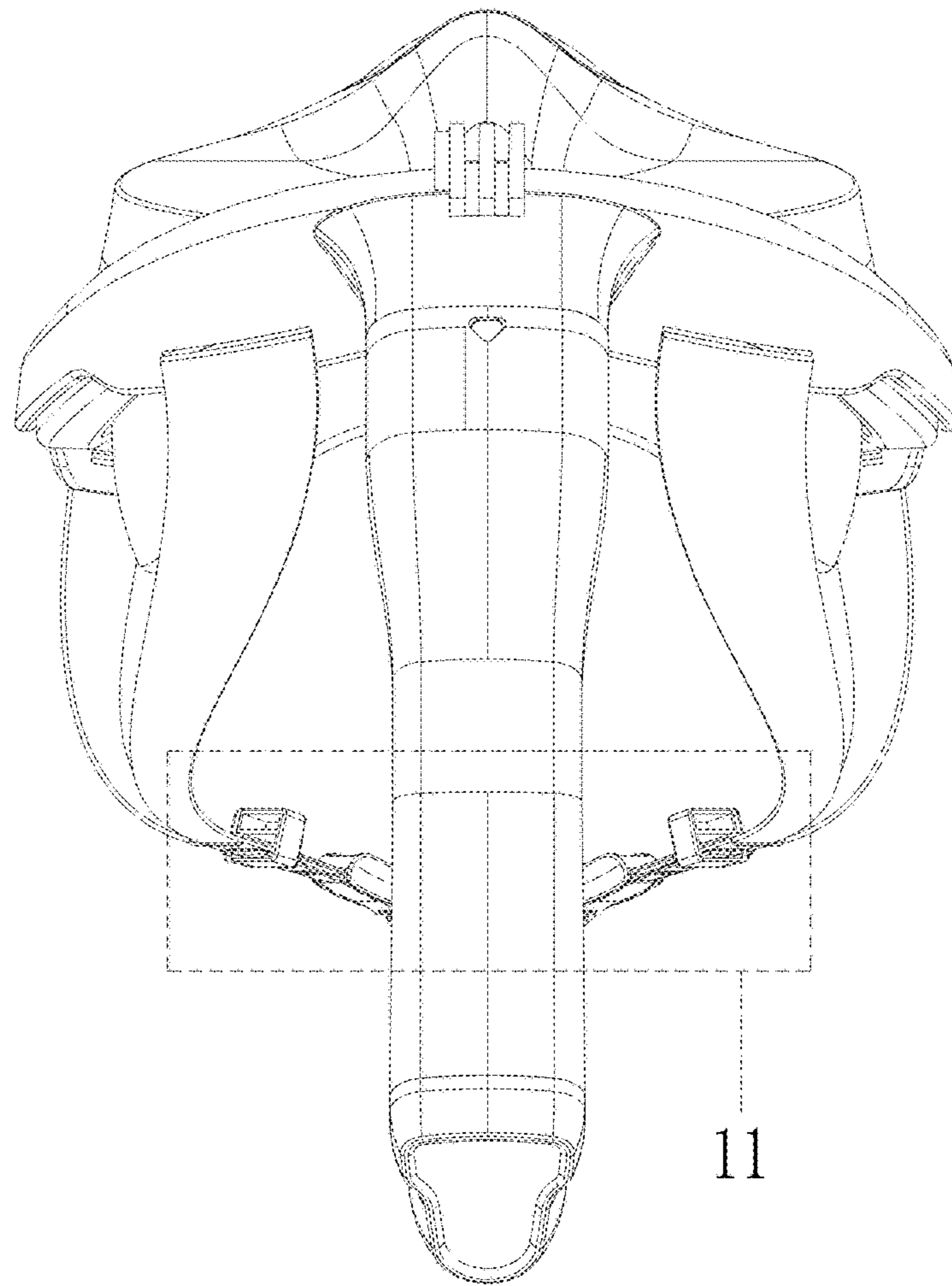
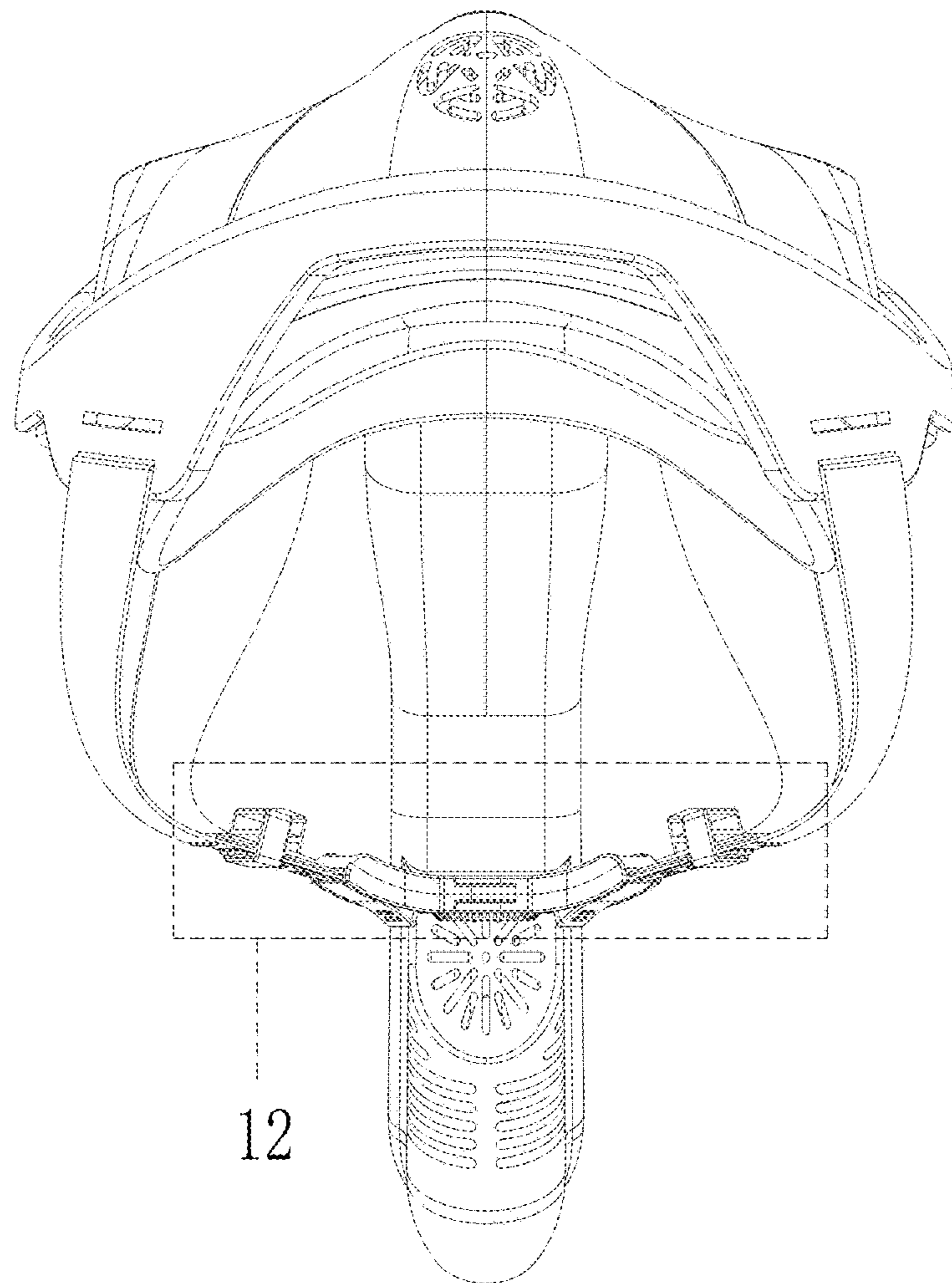


FIG. 3





12

FIG. 4

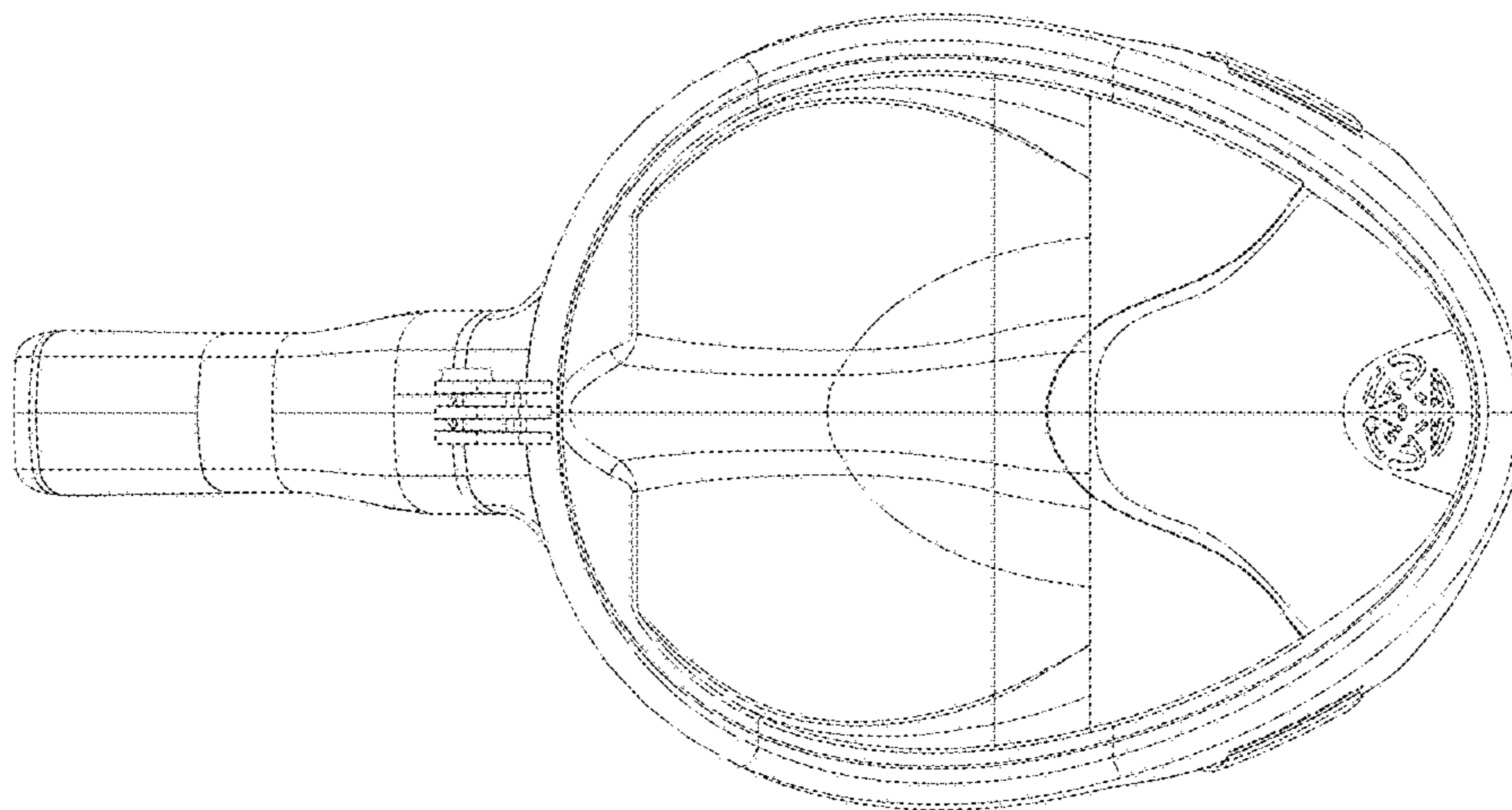


FIG. 5

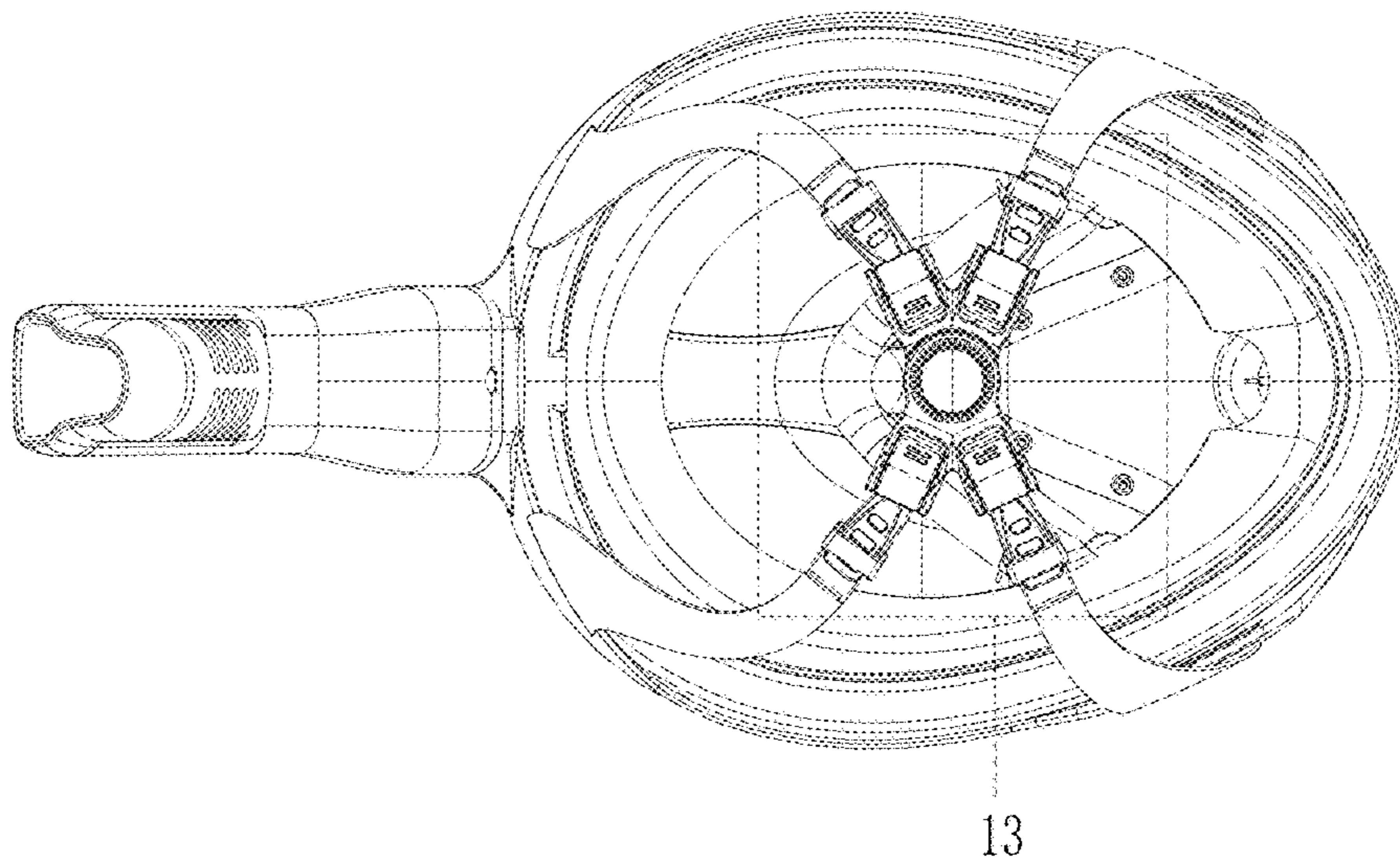


FIG. 6



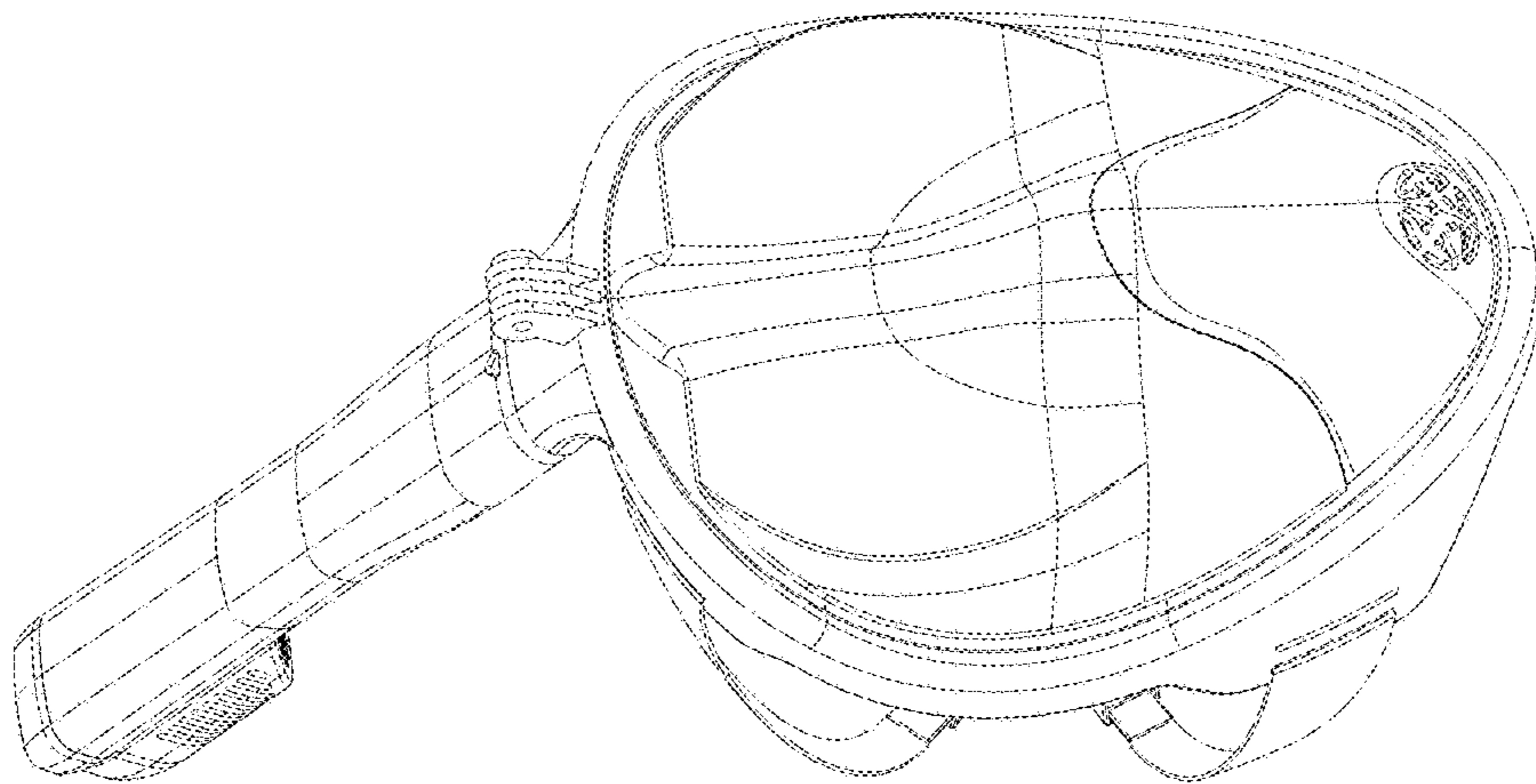


FIG. 7

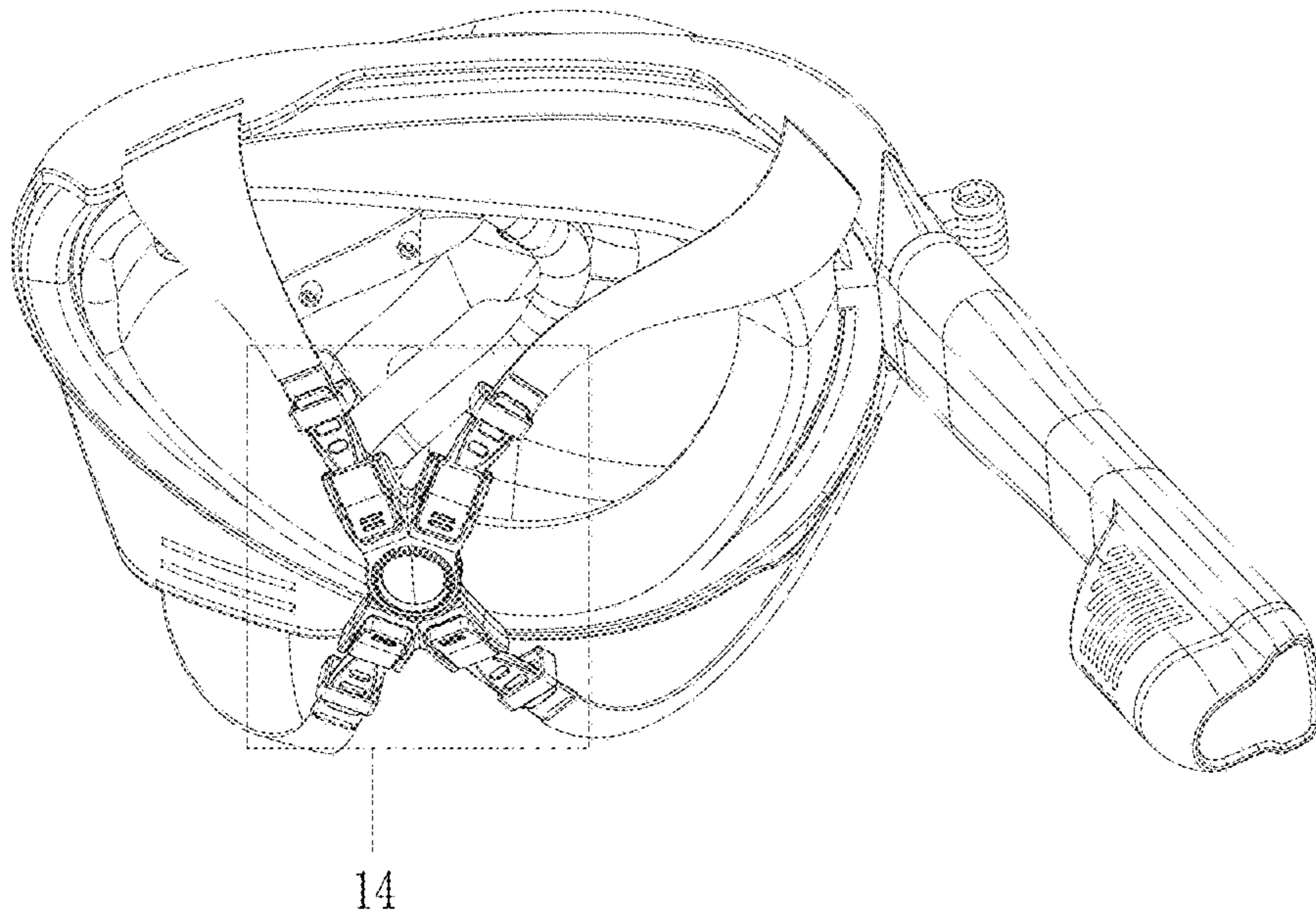


FIG. 8

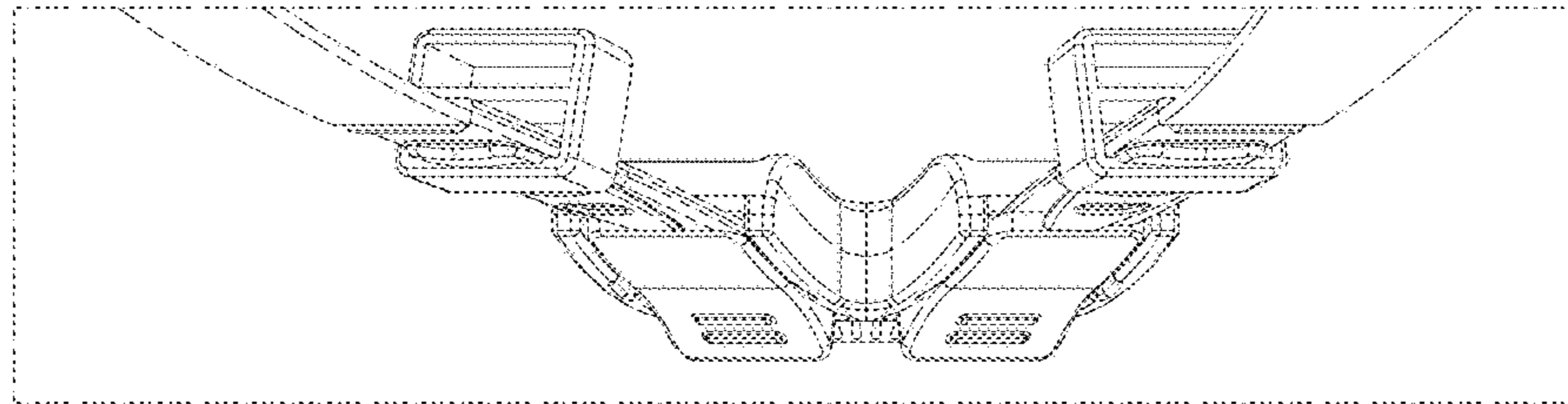


FIG. 9

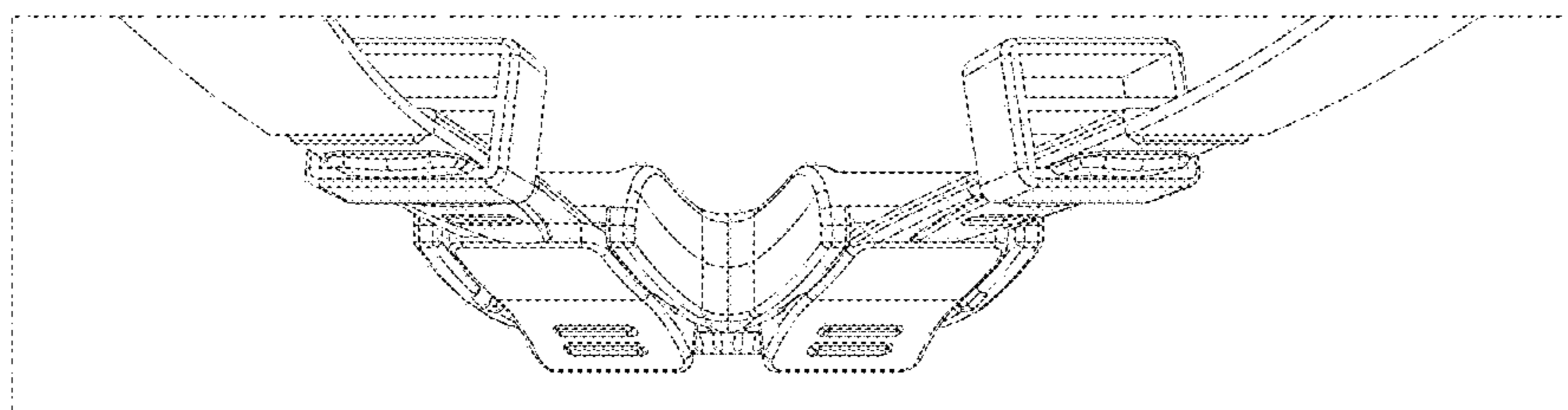


FIG. 10

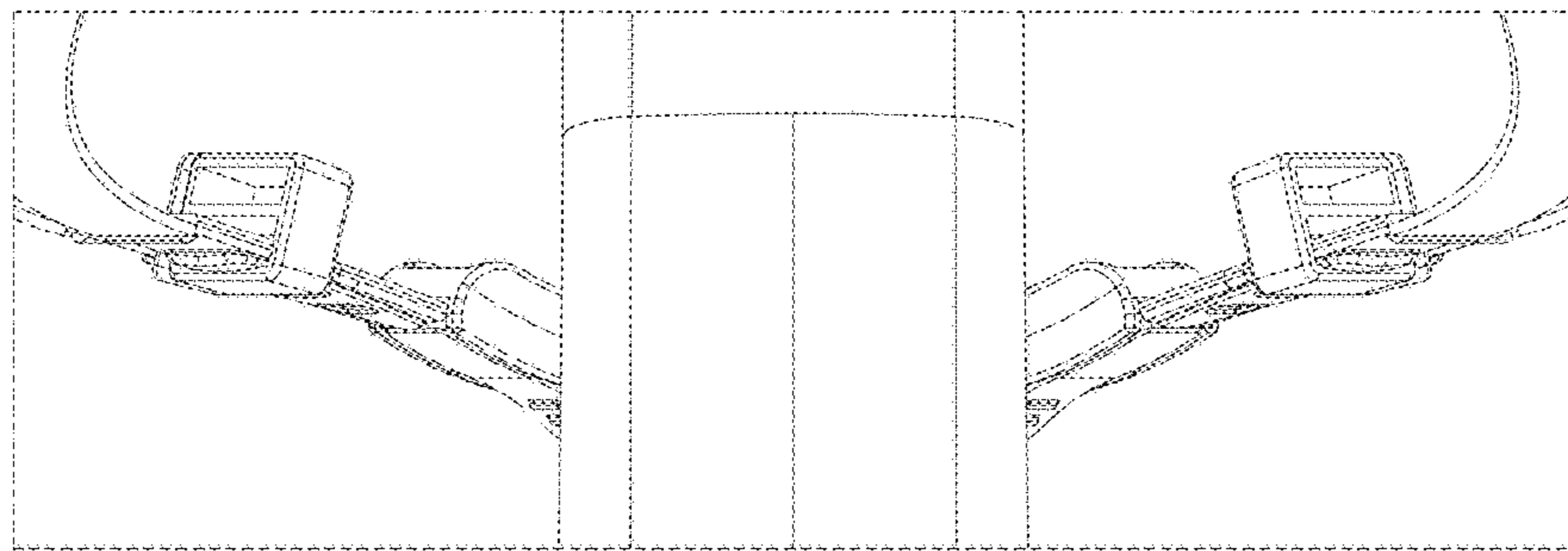


FIG. 11

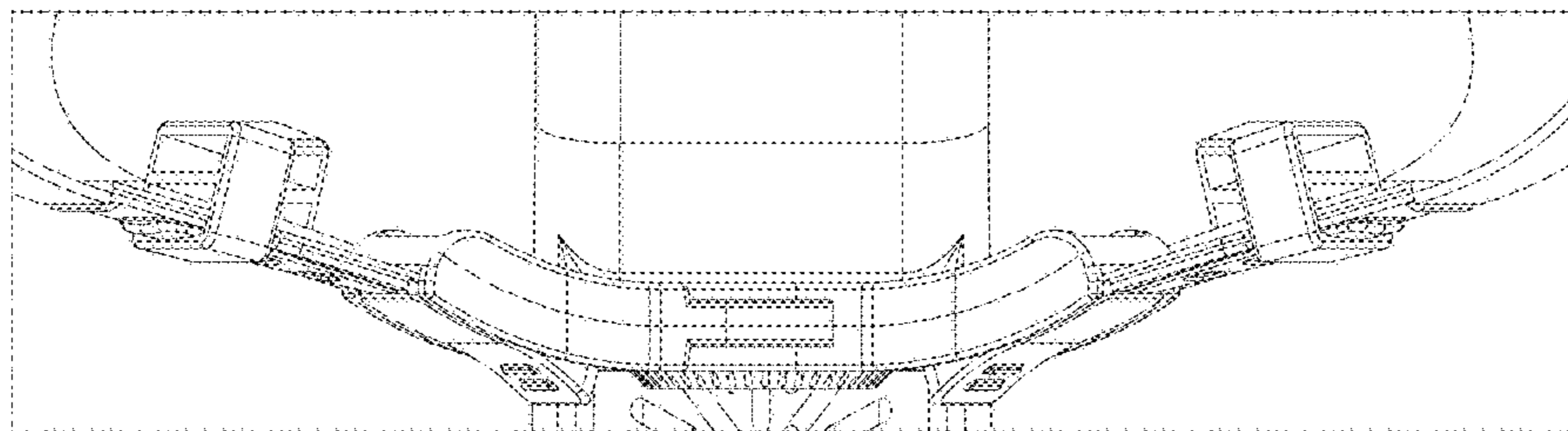


FIG. 12

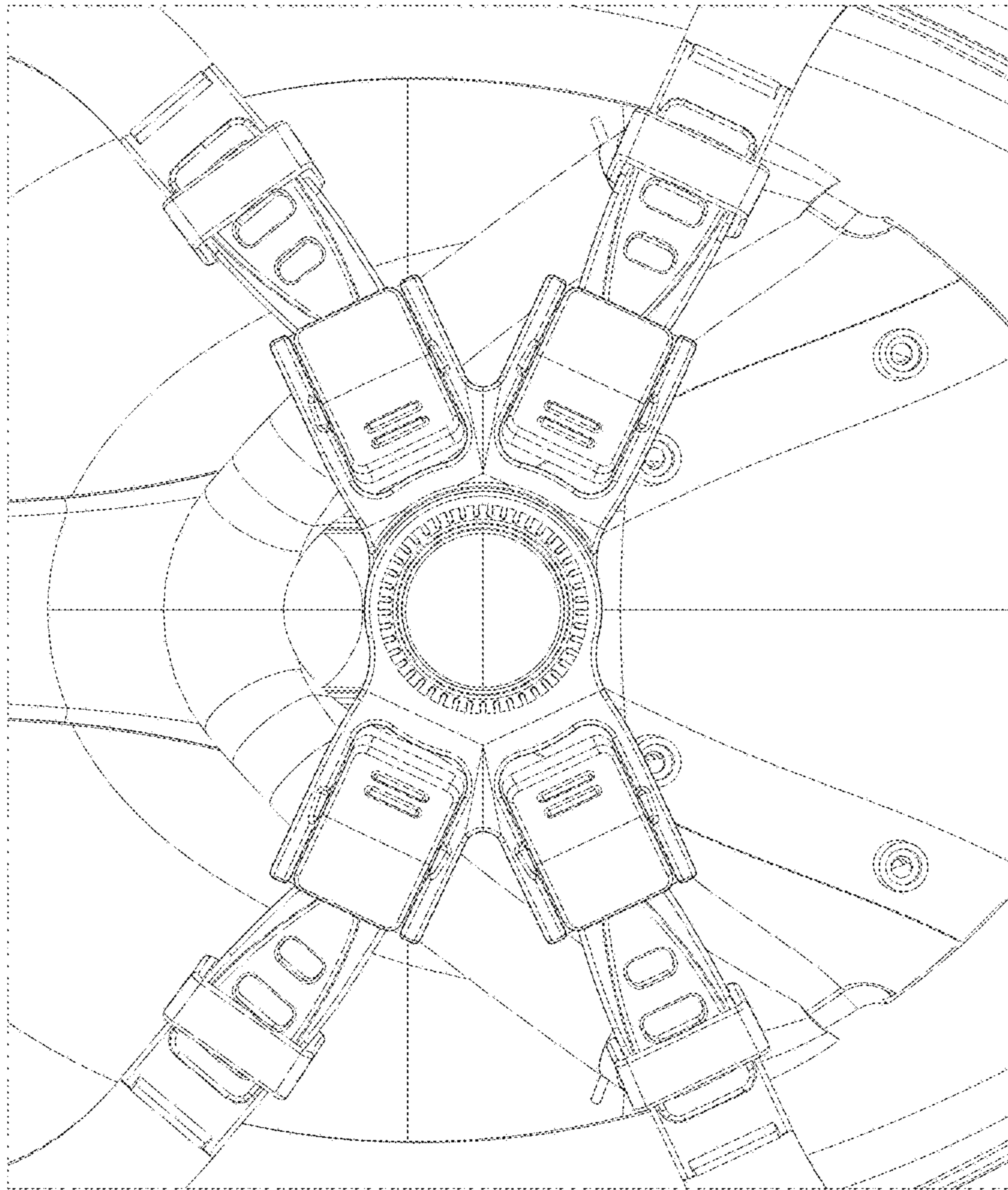


FIG. 13



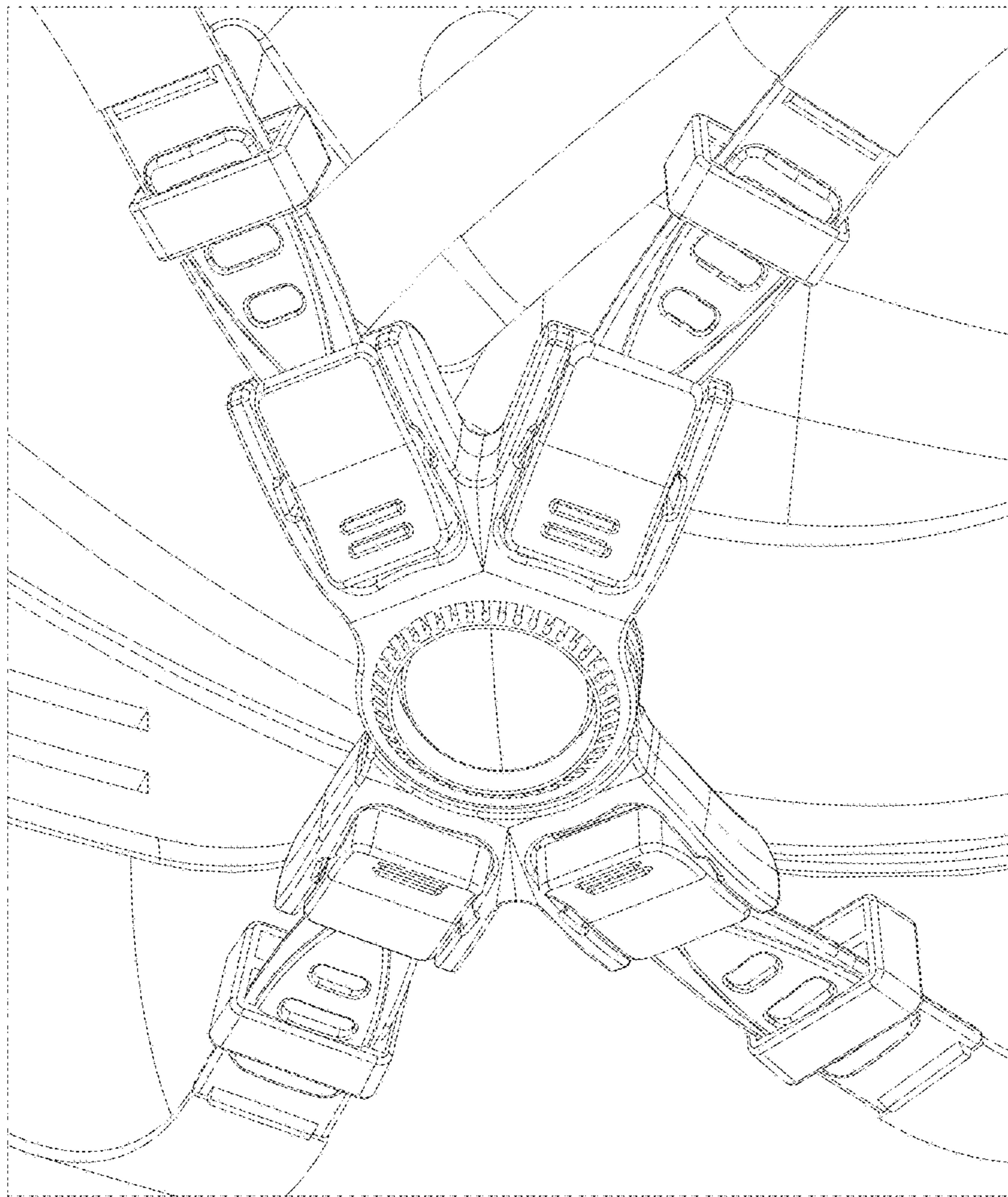


FIG. 14