



US00D863541S

(12) **United States Design Patent** (10) **Patent No.:** **US D863,541 S**
Collazo et al. (45) **Date of Patent:** **** *Oct. 15, 2019**

- (54) **RESPIRATORY MASK**
- (71) Applicant: **InnoMed Healthscience, Inc.**, Coconut Creek, FL (US)
- (72) Inventors: **Louis Javier Collazo**, Pompano Beach, FL (US); **Christopher Agami**, Coral Springs, FL (US); **Bruce M. Sher**, North Palm Beach, FL (US); **Shara A. Hernandez**, Davie, FL (US)
- (73) Assignee: **InnoMed Healthscience, Inc.**, Coconut Creek, FL (US)

D661,796 S *	6/2012	Andrews	D24/110.1
8,430,098 B1 *	4/2013	Buddharaju	A61M 16/0666
			128/204.18
D686,313 S *	7/2013	Matula, Jr.	D24/110.1
D687,539 S *	8/2013	Matula, Jr.	D24/110.1
D729,381 S *	5/2015	Himes	D24/110.1
D746,436 S *	12/2015	Guney	D24/110.1
D747,460 S *	1/2016	Hogea	D24/110.1
D747,794 S *	1/2016	Greenberg	D24/110.1
D787,661 S *	5/2017	Edwards	D24/110.4
2011/0232649 A1 *	9/2011	Collazo	A61M 16/06
			128/207.18
2013/0186404 A1 *	7/2013	Chien	A61M 16/0666
			128/206.21
2014/0326248 A1 *	11/2014	Haibach	A61M 16/0666
			128/207.18

(*) Notice: This patent is subject to a terminal disclaimer.

(**) Term: **15 Years**

(21) Appl. No.: **29/626,245**

(22) Filed: **Nov. 15, 2017**

(51) **LOC (12) Cl.** **29-02**

(52) **U.S. Cl.**
USPC **D24/110.1**

(58) **Field of Classification Search**
USPC D24/110.1, 110.4-110.5, 106, 112, 135, D24/127
CPC A61M 16/0666; A61M 16/0683; A61M 16/06; A61M 2210/0618; A61M 16/0672; A61M 16/0622; A62B 23/06
See application file for complete search history.

(56) **References Cited**

U.S. PATENT DOCUMENTS

D31,465 S *	8/1899	Conlin	D24/112
D533,269 S *	12/2006	McAuley	D24/110.6
7,210,481 B1 *	5/2007	Lovell	A61M 16/06
			128/205.25
D612,933 S *	3/2010	Prentice	D24/110.1

(Continued)

Primary Examiner — Lilyana Bekic

(74) *Attorney, Agent, or Firm* — Maier & Maier, PLLC

(57) **CLAIM**

The ornamental design for a respiratory mask, as shown and described.

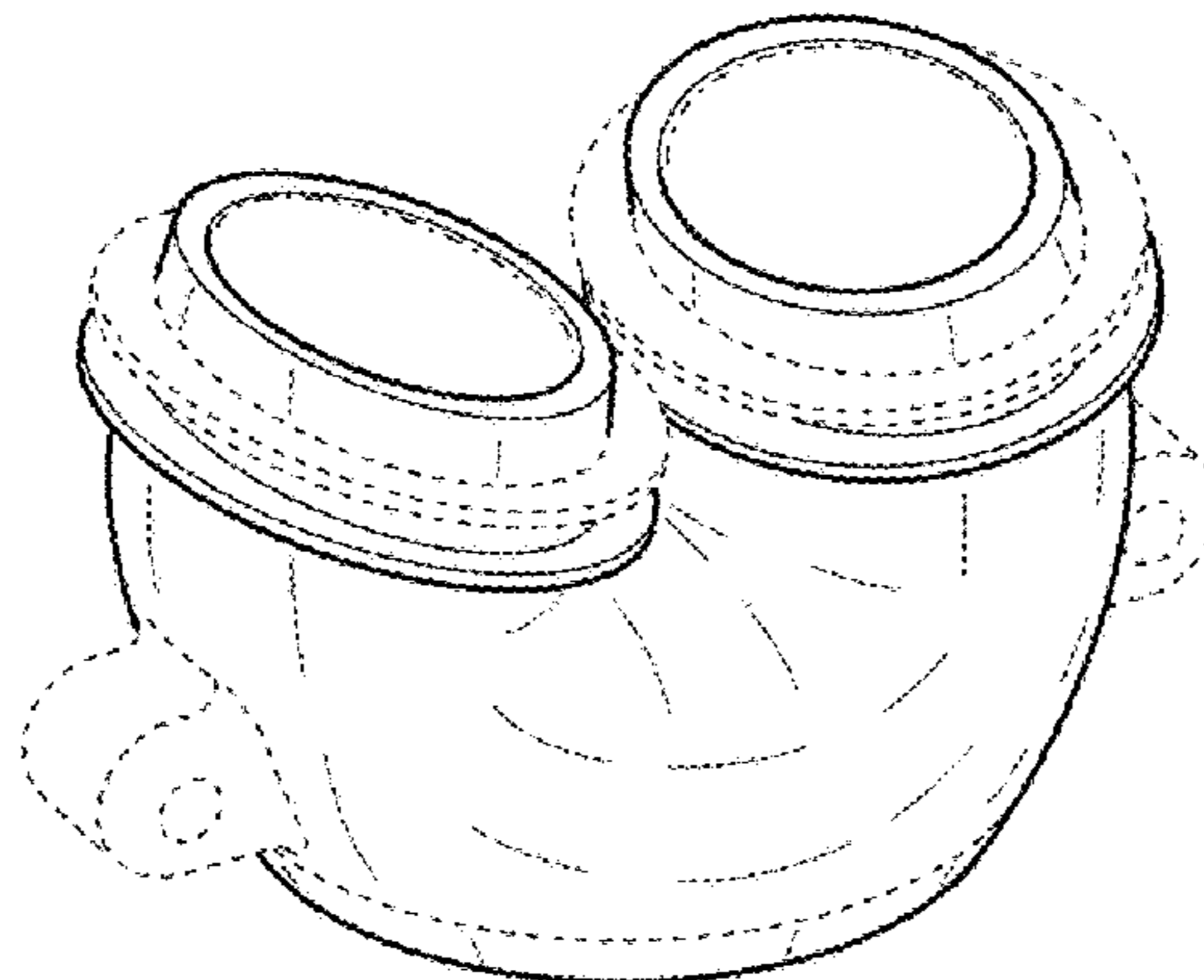
DESCRIPTION

FIG. 1 is a top perspective view of a respiratory mask;
 FIG. 2 is a bottom perspective view thereof;
 FIG. 3 is a top plan view thereof;
 FIG. 4 is a bottom plan view thereof;
 FIG. 5 is a front elevation view thereof;
 FIG. 6 is a rear elevation view thereof;
 FIG. 7 is a left side elevation view thereof; and,
 FIG. 8 is a right side elevation view thereof.

The broken line showing of portions of the respiratory mask form no part of the claimed design.

The dot-dash-dot broken lines define the bounds of the claim and form no part thereof. The boundary lines appear on interior surfaces of the respiratory mask, where visible, and immediately adjacent to claimed edges, representing that the interior surface forms no part of the claimed design.

1 Claim, 4 Drawing Sheets



(56)

References Cited

U.S. PATENT DOCUMENTS

2015/0013685 A1* 1/2015 Haibach A61M 16/0666
128/207.18
2016/0051784 A1* 2/2016 Eury A61M 16/0666
128/207.18
2016/0106945 A1* 4/2016 Swift A61M 16/06
128/205.25
2018/0015247 A1* 1/2018 Marsh A61M 16/0616
2018/0049638 A1* 2/2018 Ewers A61M 16/208

* cited by examiner

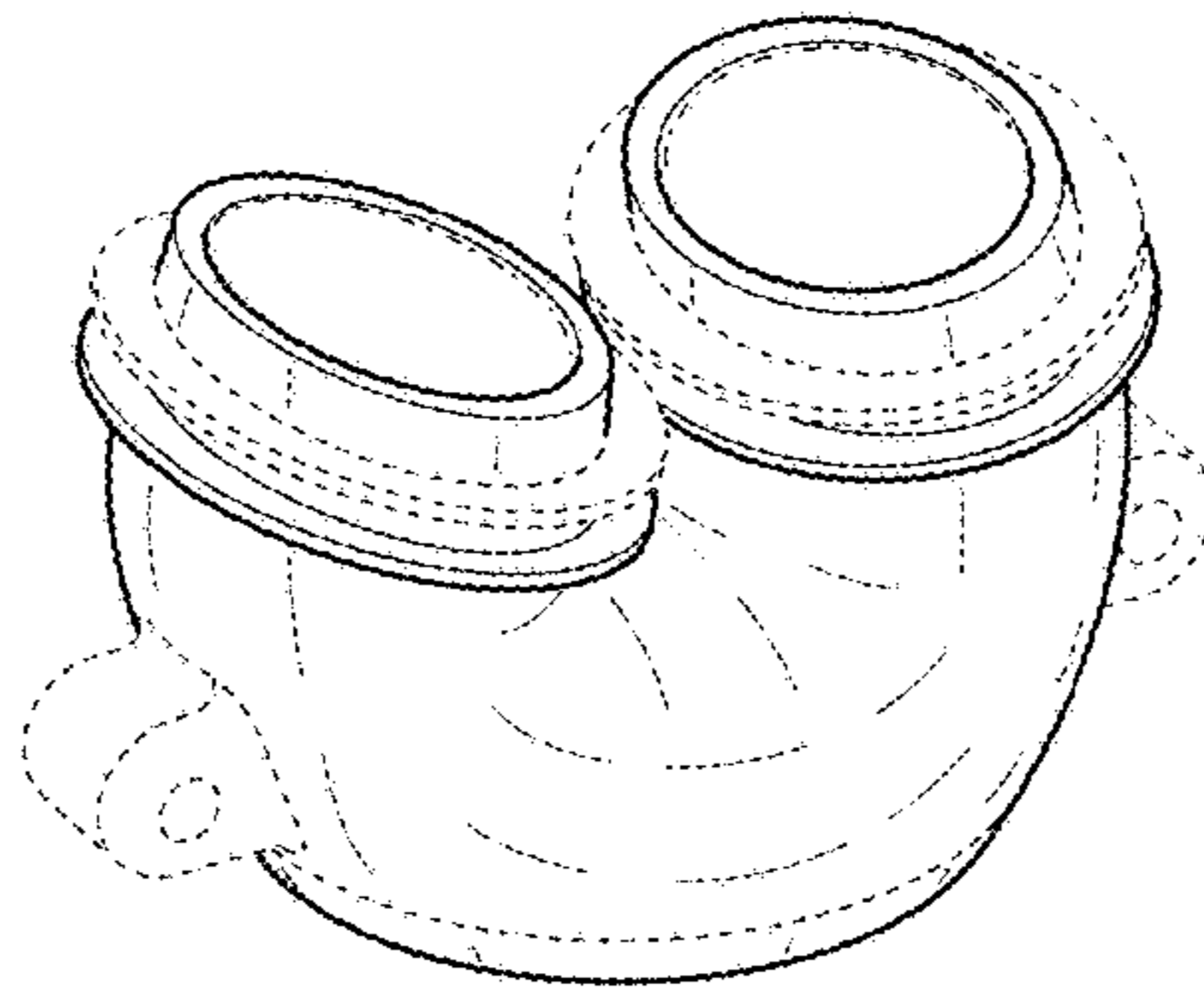


Fig. 1

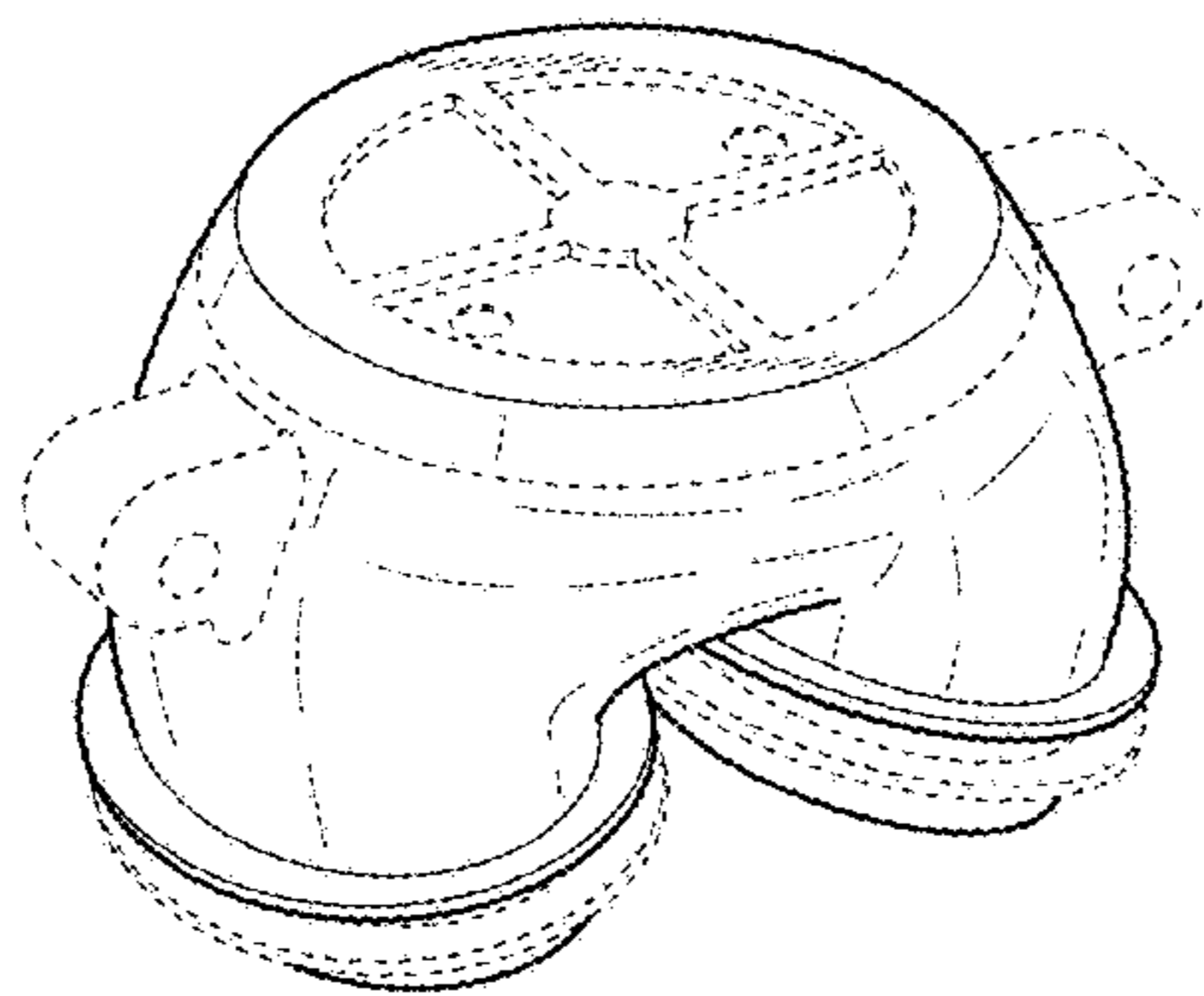


Fig. 2

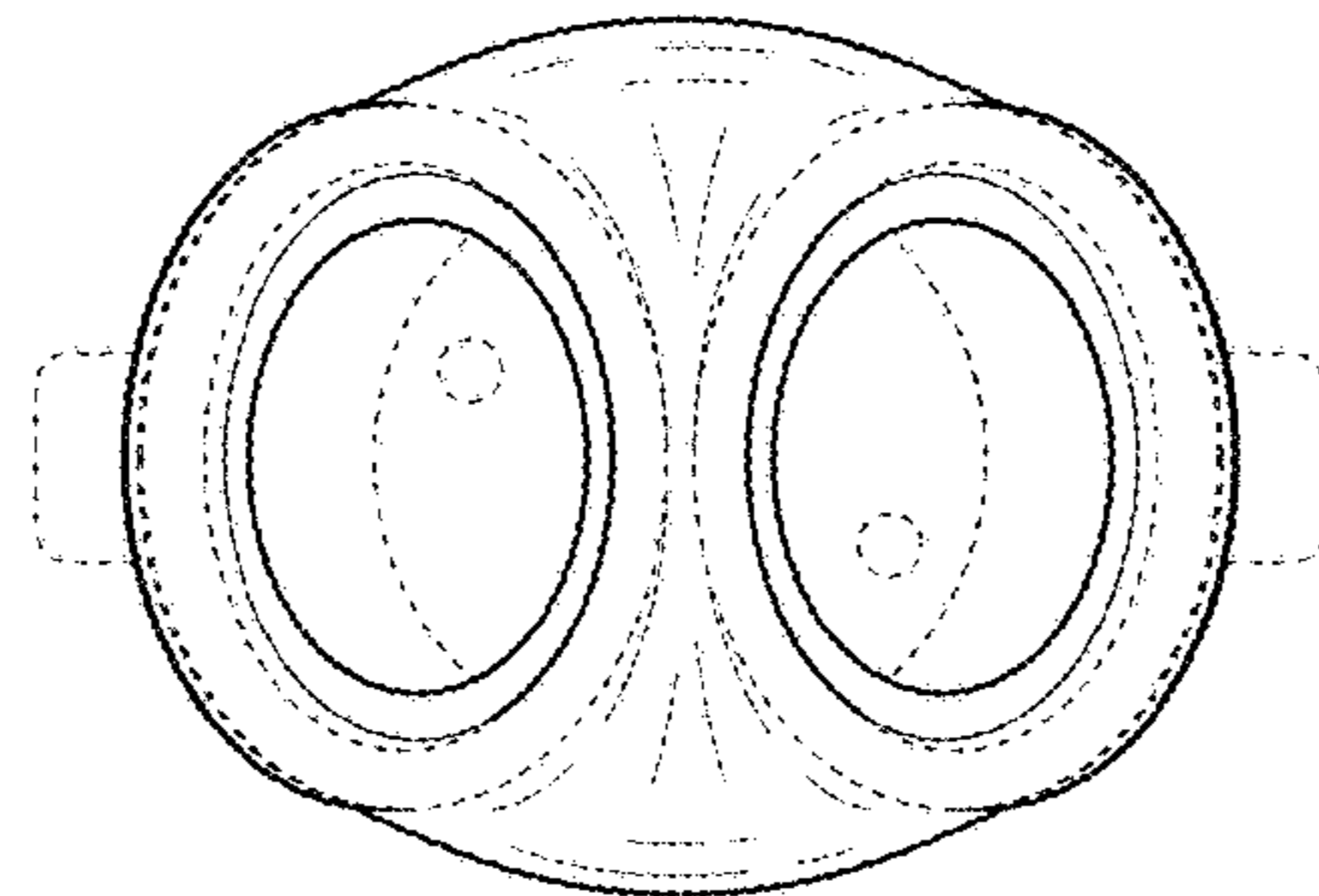


Fig. 3

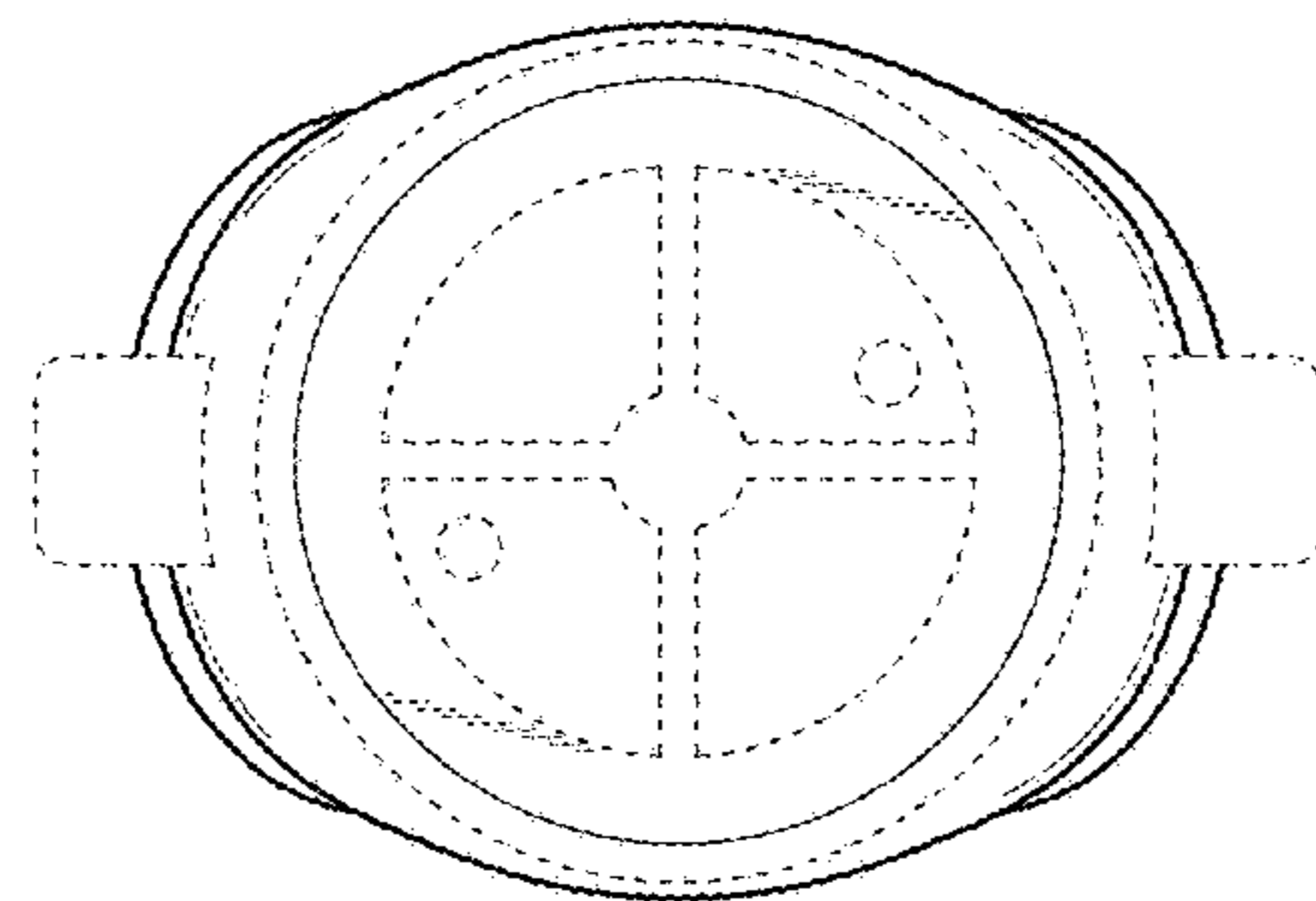


Fig. 4

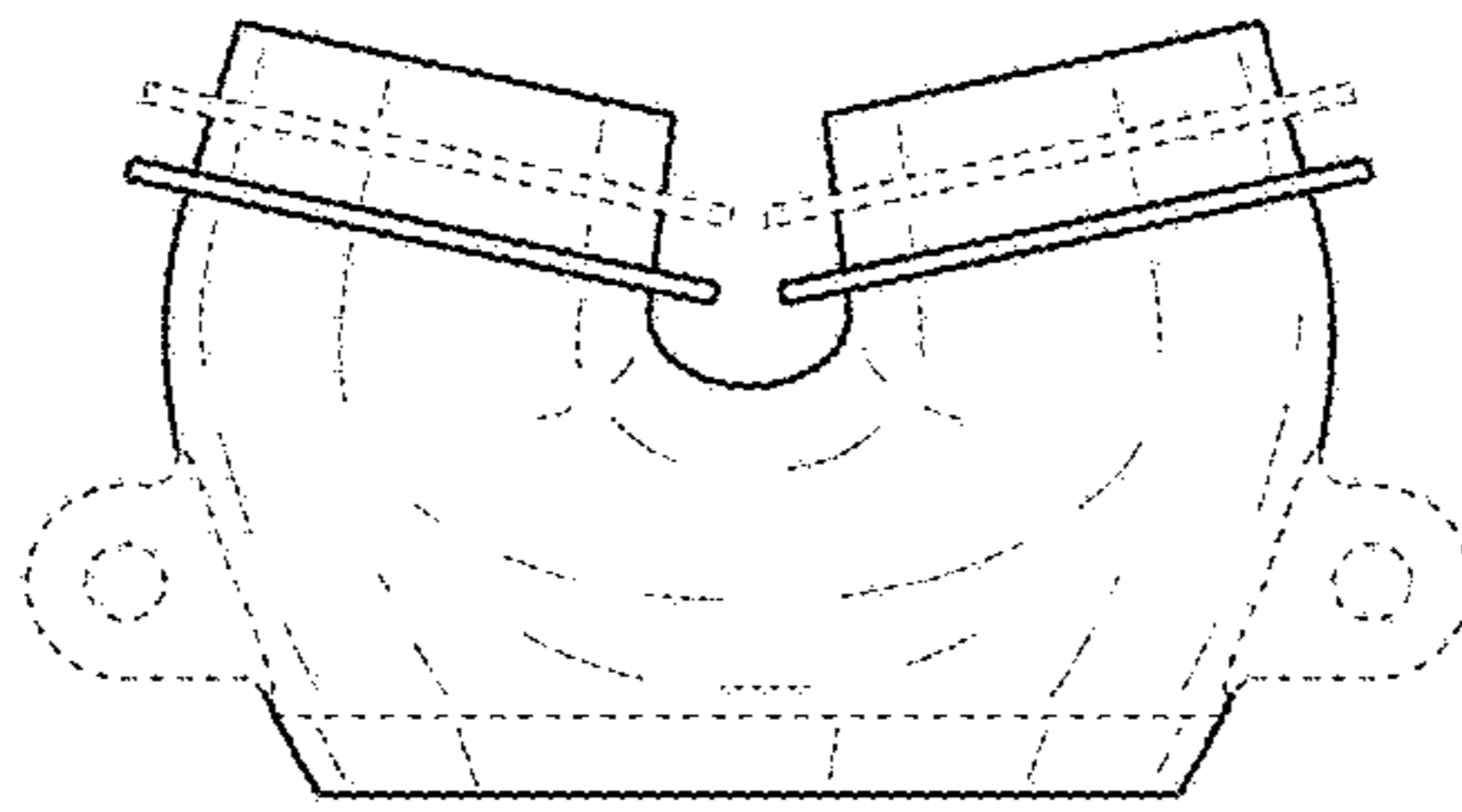


Fig. 5

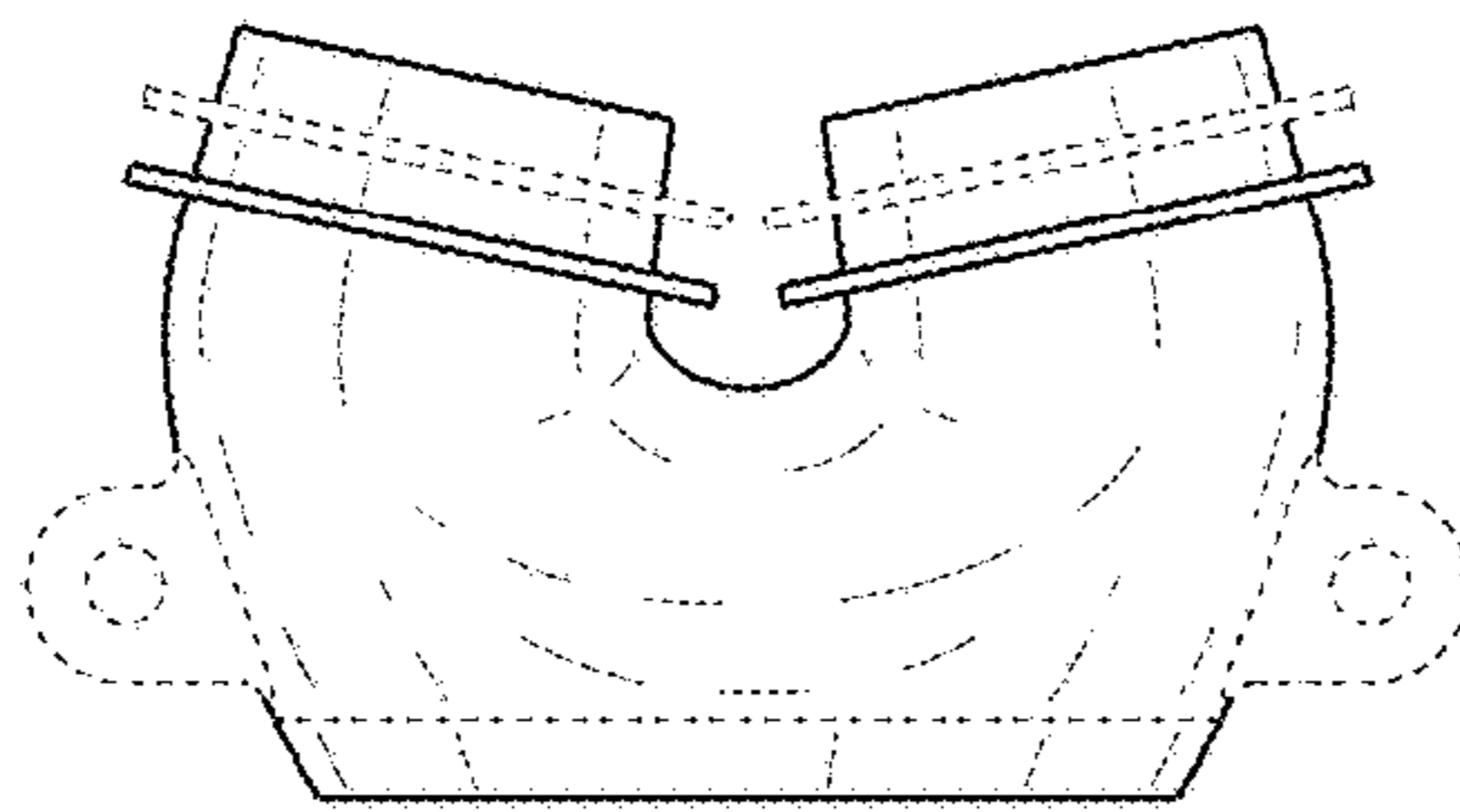


Fig. 6

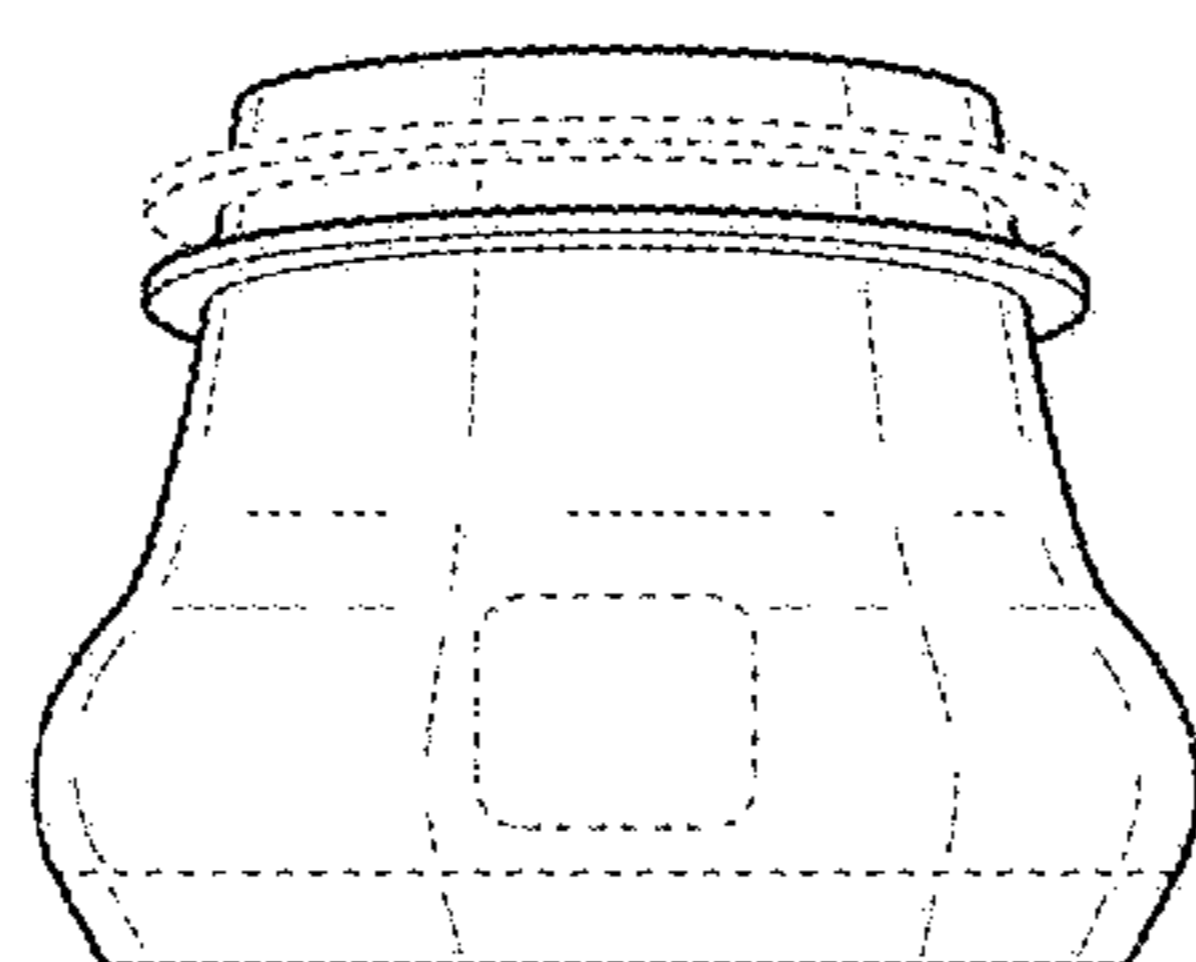


Fig. 7

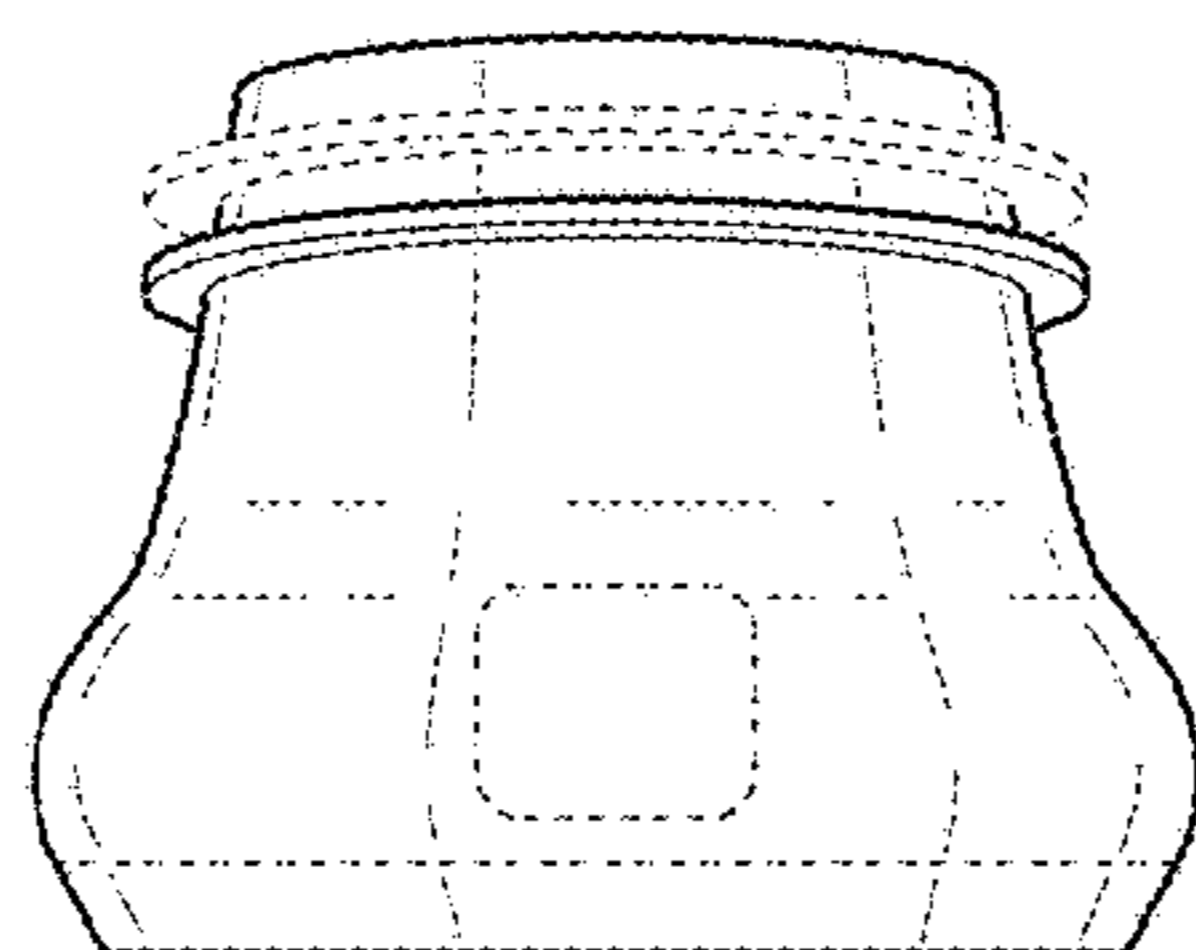


Fig. 8