



US00D863535S

(12) **United States Design Patent** (10) **Patent No.:** **US D863,535 S**
Collazo et al. (45) **Date of Patent:** **** *Oct. 15, 2019**

- (54) **RESPIRATORY MASK**
- (71) Applicant: **InnoMed Healthscience, Inc.**, Coconut Creek, FL (US)
- (72) Inventors: **Louis Javier Collazo**, Pompano Beach, FL (US); **Christopher Agami**, Coral Springs, FL (US); **Bruce M. Sher**, North Palm Beach, FL (US); **Shara A. Hernandez**, Davie, FL (US)
- (73) Assignee: **InnoMed Healthscience, Inc.**, Coconut Creek, FL (US)
- (*) Notice: This patent is subject to a terminal disclaimer.
- (**) Term: **15 Years**
- (21) Appl. No.: **29/626,220**
- (22) Filed: **Nov. 15, 2017**
- (51) **LOC (12) Cl.** **29-02**
- (52) **U.S. Cl.**
USPC **D24/110.1**
- (58) **Field of Classification Search**
USPC D24/110.1, 110.4–110.5, 106, 112, 135, D24/127
CPC A61M 16/0666; A61M 16/0683; A61M 16/06; A61M 2210/0618; A61M 16/0672; A61M 16/0622; A62B 23/06
See application file for complete search history.

(56) **References Cited**

U.S. PATENT DOCUMENTS

- D486,227 S * 2/2004 Fu D24/110.1
- D550,352 S * 9/2007 Chandran D24/110.1
- D550,836 S * 9/2007 Chandran D24/110.1
- D564,089 S * 3/2008 Chandran D24/110.1
- D568,985 S * 5/2008 Chandran D24/110.1
- D583,047 S * 12/2008 Chandran D24/110.1

- D583,049 S * 12/2008 Chandran D24/110.1
- D589,139 S * 3/2009 Guney D24/110.1
- D612,933 S * 3/2010 Prentice D24/110.1
- D645,557 S * 9/2011 Scheiner D24/110.1
- D674,480 S * 1/2013 Prentice D24/110.1
- D770,608 S * 11/2016 Allum D24/110.1
- 2006/0124131 A1* 6/2006 Chandran A61M 16/06
128/206.28
- 2008/0276938 A1* 11/2008 Jeppesen A61M 16/0666
128/204.18
- 2009/0095303 A1* 4/2009 Sher A61M 16/06
128/207.18
- 2009/0272386 A1* 11/2009 Kurtz A61F 5/56
128/848
- 2014/0083419 A1* 3/2014 Collazo A61M 16/208
128/202.22

(Continued)

Primary Examiner — Lilyana Bekic

(74) *Attorney, Agent, or Firm* — Maier & Maier, PLLC

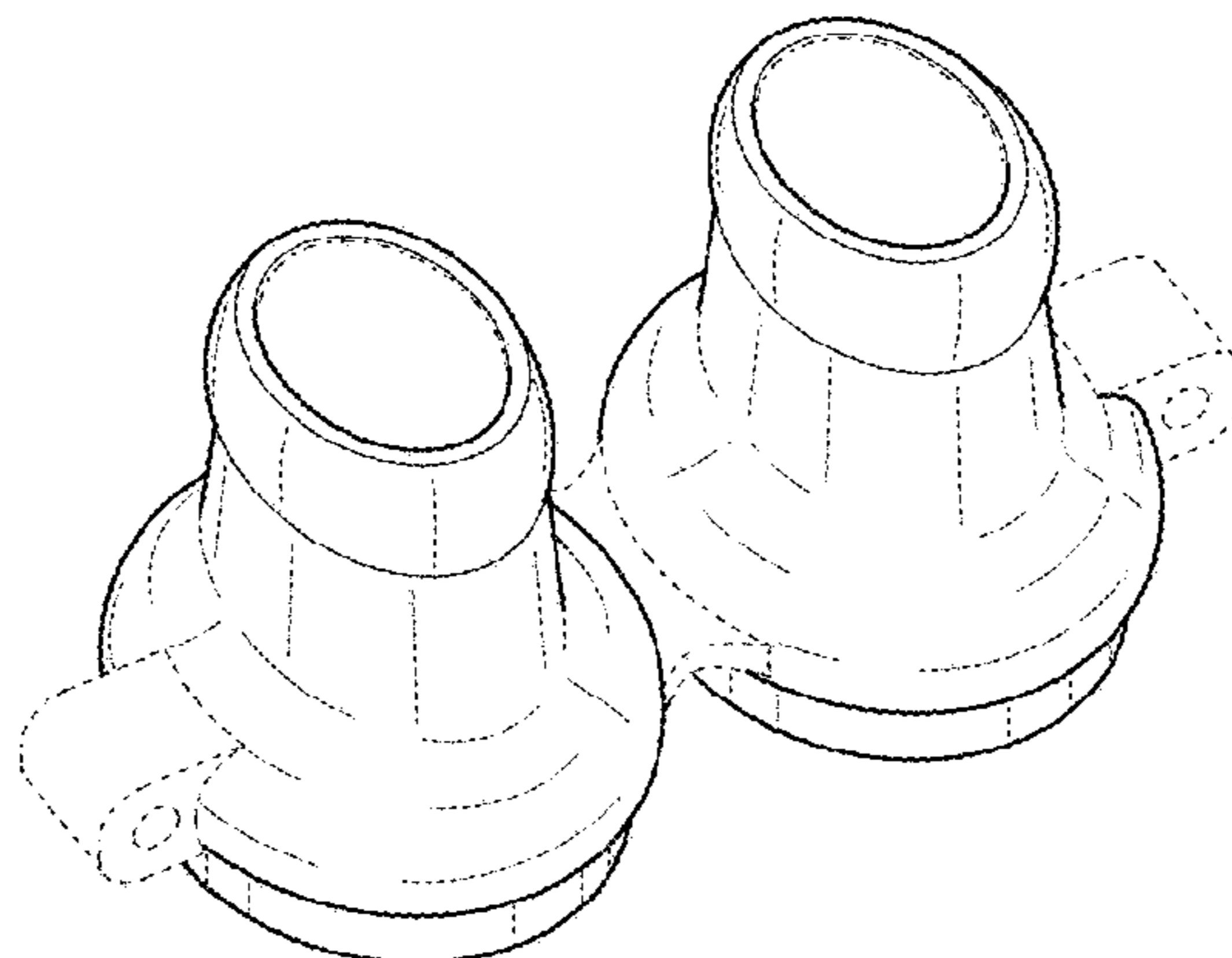
(57) **CLAIM**

The ornamental design for a respiratory mask, as shown and described.

DESCRIPTION

FIG. 1 is a top perspective view of a respiratory mask; FIG. 2 is a bottom perspective view thereof; FIG. 3 is a top plan view thereof; FIG. 4 is a bottom plan view thereof; FIG. 5 is a front elevation view thereof; FIG. 6 is a rear elevation view thereof; FIG. 7 is a left side elevation view thereof, and, FIG. 8 is a right side elevation view thereof. The broken line showing of portions of the respiratory mask form no part of the claimed design. The dot-dash-dot broken lines define the bounds of the claim and form no part thereof. The boundary lines appear on interior surfaces of the respiratory mask, where visible, and immediately adjacent to claimed edges, representing that the interior surface forms no part of the claimed design.

1 Claim, 4 Drawing Sheets



(56)

References Cited

U.S. PATENT DOCUMENTS

2014/0360499 A1* 12/2014 Peets A61M 16/0672
128/204.12
2015/0075530 A1* 3/2015 Collazo A61M 16/06
128/205.25
2015/0250973 A1* 9/2015 Allum A61M 16/0666
128/205.25
2017/0216634 A1* 8/2017 Wan A62B 23/06
2017/0368285 A1* 12/2017 Wood A61M 16/0666
2018/0008155 A1* 1/2018 Melker A61M 16/0627

* cited by examiner

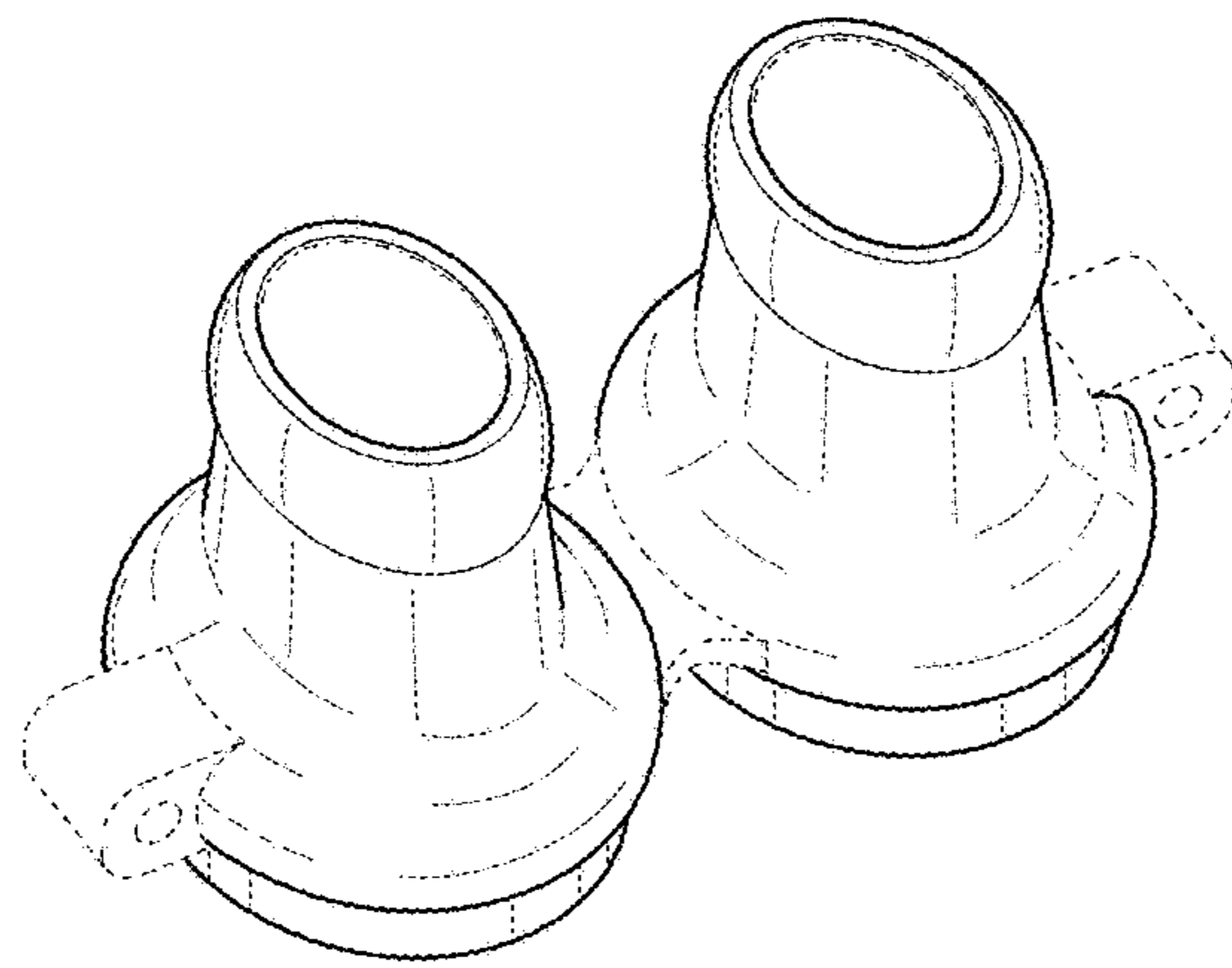


Fig. 1

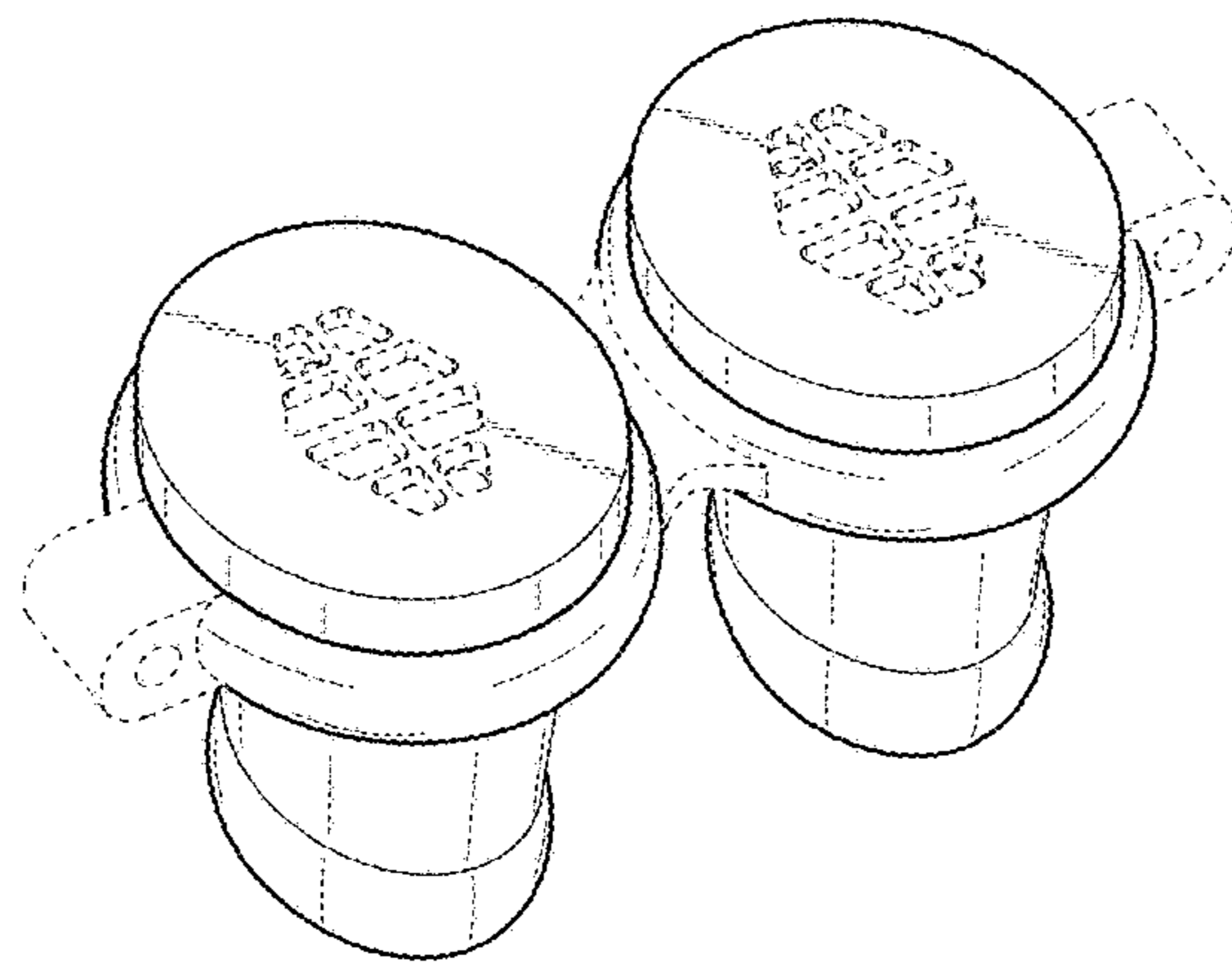


Fig. 2

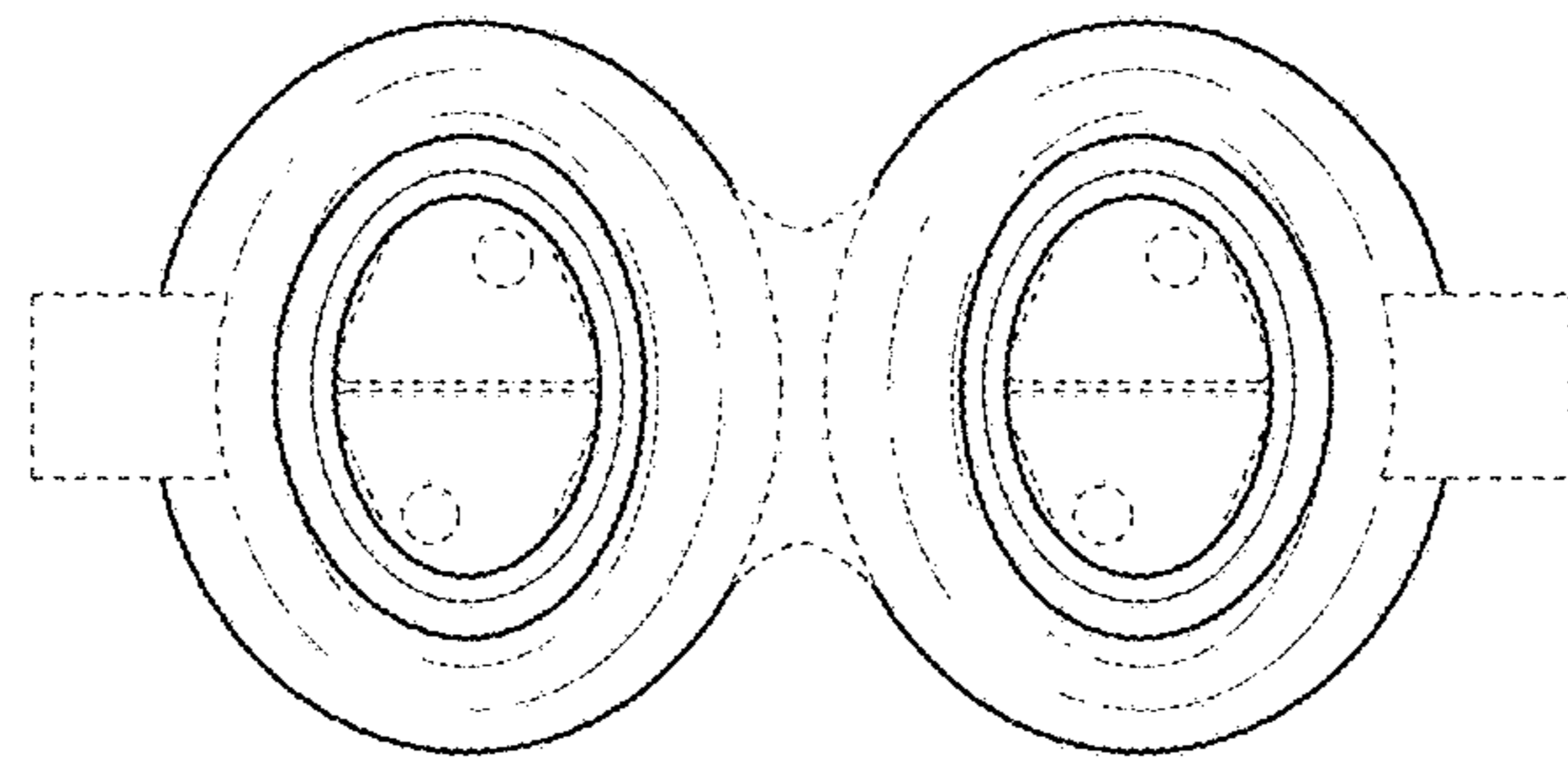


Fig. 3

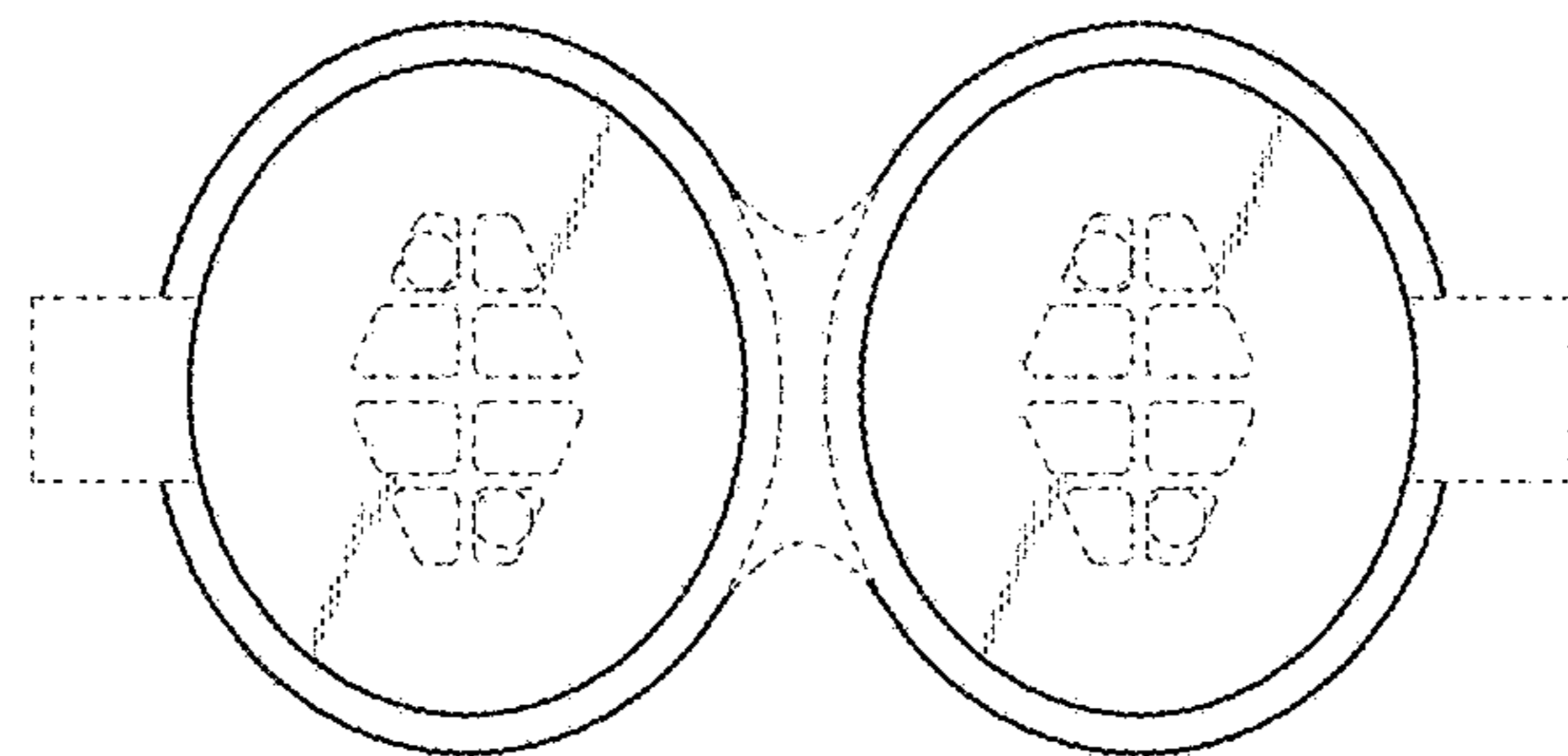


Fig. 4

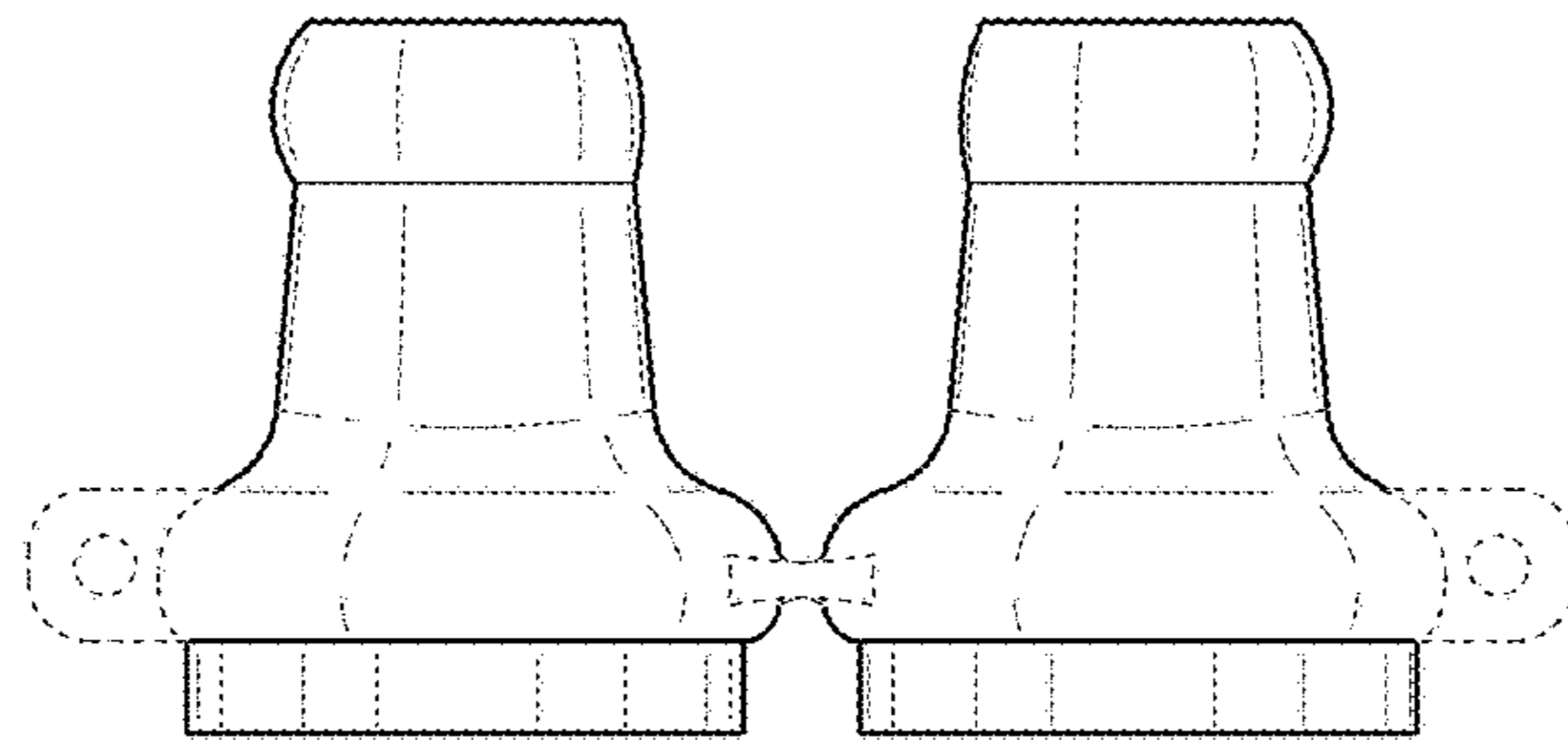


Fig. 5

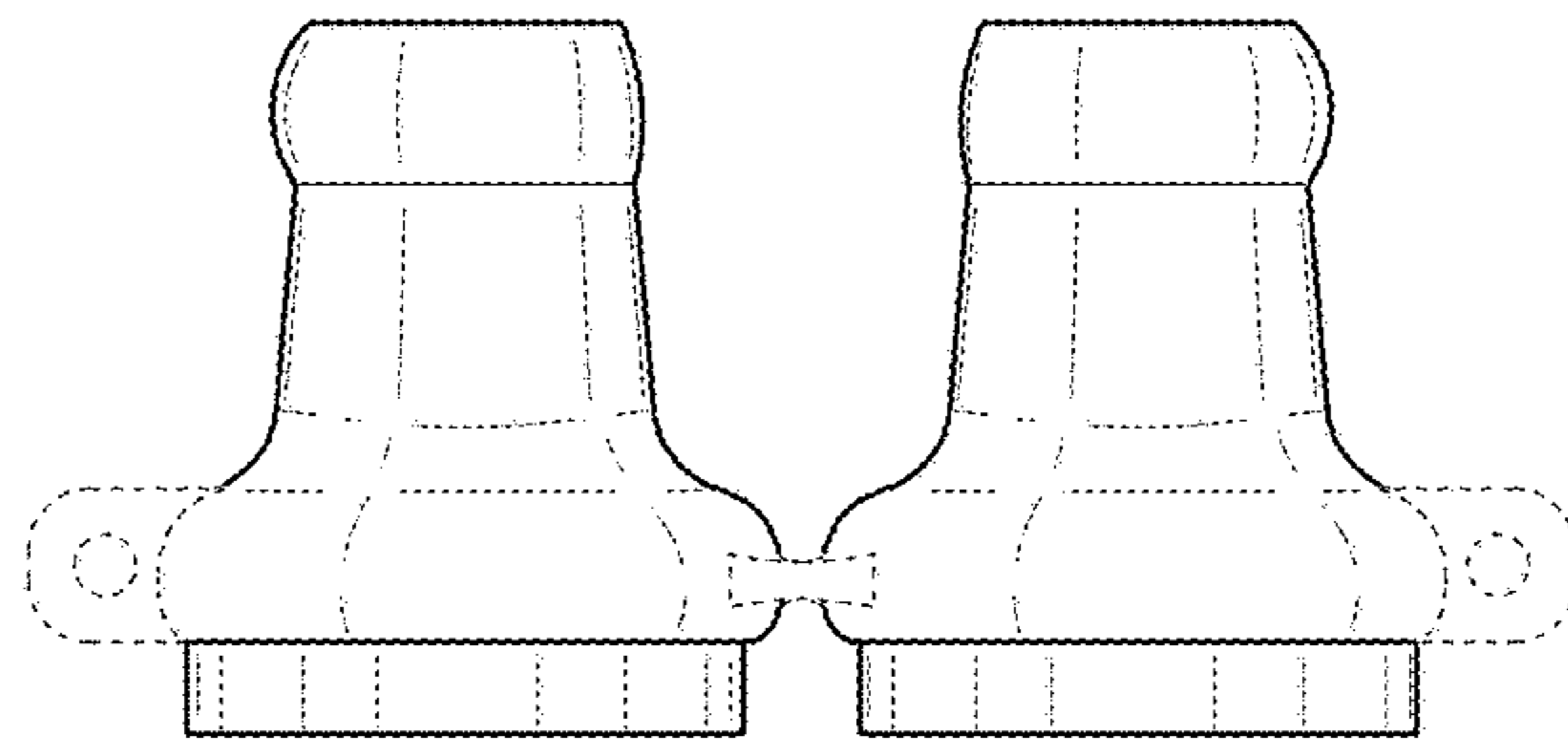


Fig. 6

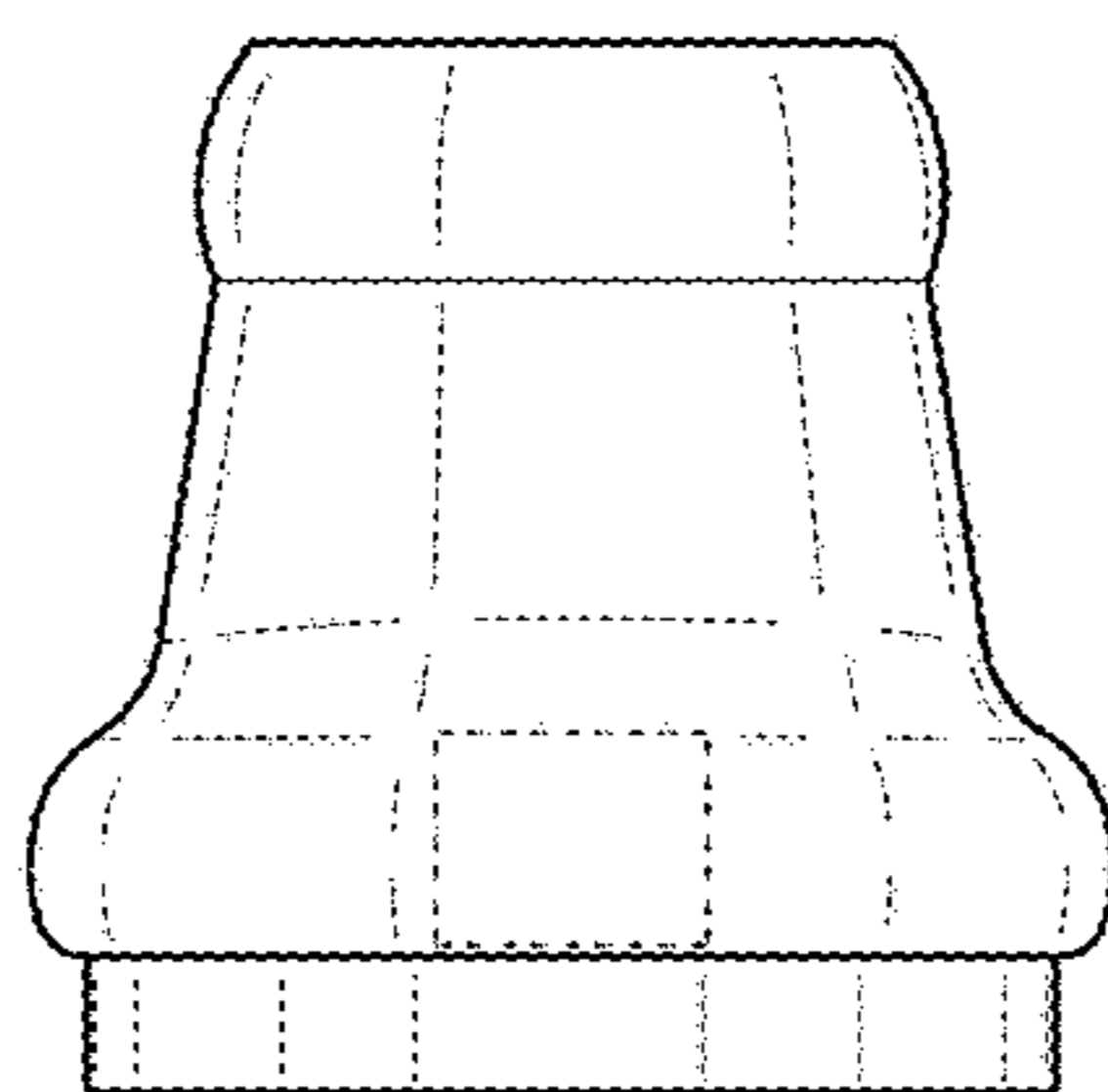


Fig. 7

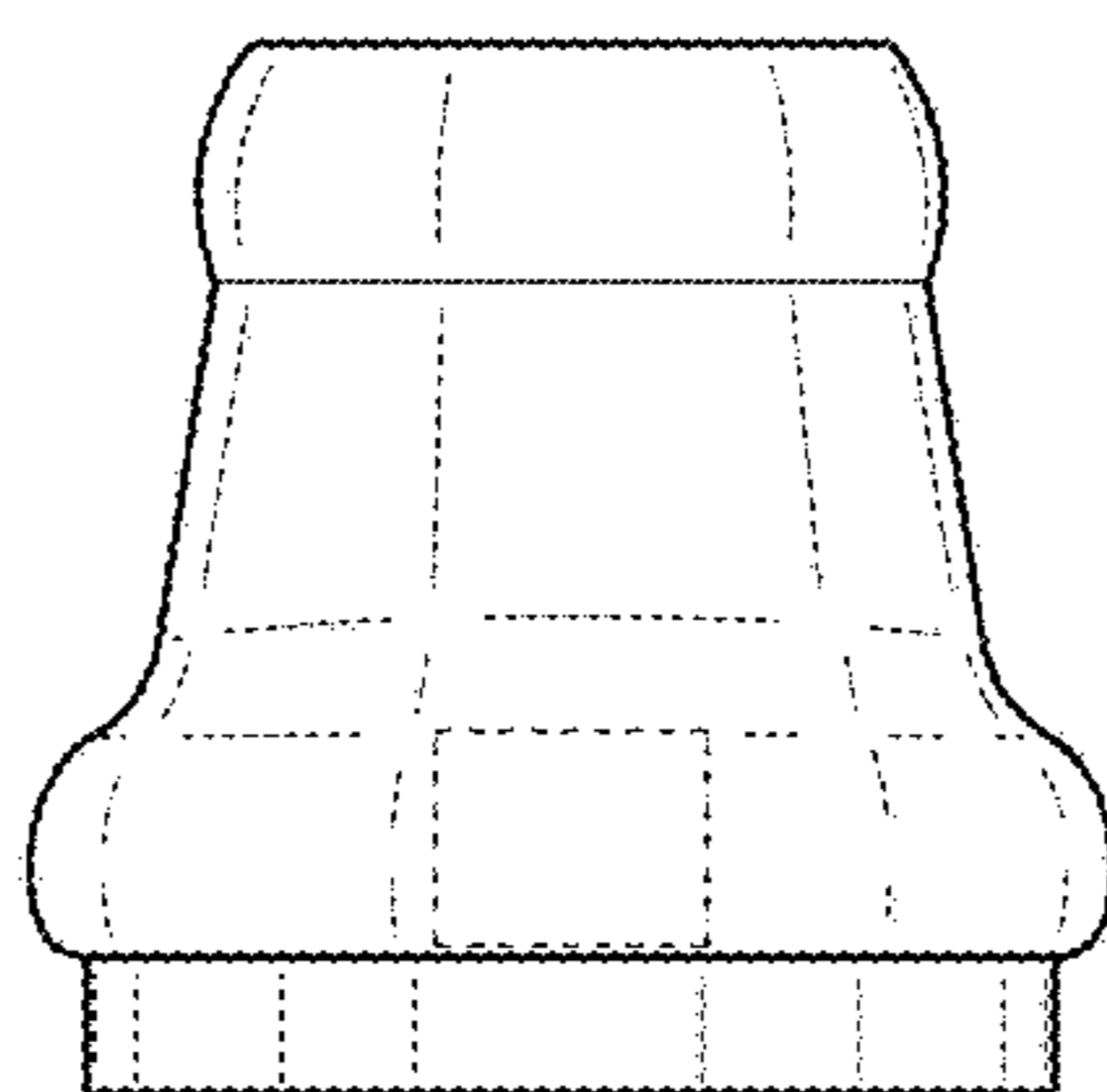


Fig. 8