



US00D863534S

(12) **United States Design Patent**
Jackson et al.

(10) **Patent No.:** **US D863,534 S**

(45) **Date of Patent:** **** Oct. 15, 2019**

(54) **FLIP-OPEN METERED-DOSE INHALER**

(71) Applicant: **Optimist Inhaler, LLC**, Flowery Branch, GA (US)

(72) Inventors: **David N Jackson**, Flowery Branch, GA (US); **Russell M Smith**, Flowery Branch, GA (US)

(73) Assignee: **Optimist Inhaler LLC**, Gainesville, GA (US)

(**) Term: **15 Years**

(21) Appl. No.: **29/696,751**

(22) Filed: **Jul. 1, 2019**

(51) **LOC (12) Cl.** **29-02**

(52) **U.S. Cl.**
USPC **D24/110**

(58) **Field of Classification Search**
USPC D24/108, 110, 110.5, 164, 127
CPC A61M 15/009; A61M 2202/064; A61M 15/0065; A61M 15/00; A61M 15/008; A61M 15/0068; A61M 15/0091; A61M 2205/3592; A61M 2205/3553; A61M 15/0021; A61M 15/0025; A61M 15/0026
See application file for complete search history.

(56) **References Cited**

U.S. PATENT DOCUMENTS

D433,126 S * 10/2000 McCurry D24/110
D439,656 S * 3/2001 Andersson D24/110
(Continued)

FOREIGN PATENT DOCUMENTS

WO WO2016187156 A1 11/2016
WO WO2017182975 A1 10/2017

OTHER PUBLICATIONS

Mhealthspot, <http://mhealthspot.com/2016/02/adherium-smart-inhalers-multicountry-study>, Mar. 18, 2017.

(Continued)

Primary Examiner — Lilyana Bekic

(74) *Attorney, Agent, or Firm* — Mehrman Law Office; Michael J. Mehrman

(57) **CLAIM**

The ornamental design for a flip-open metered-dose inhaler, as shown and described herein.

DESCRIPTION

FIG. 1 is a right side, front, and top perspective view of a flip-open metered-dose inhaler with its flip cover closed showing the new design.

FIG. 2 is a right side, front, and top perspective view thereof with its flip cover open.

FIG. 3 is a top plan view thereof with its flip cover closed.

FIG. 4 is a top plan view thereof with its flip cover open.

FIG. 5 is a bottom plan view thereof with its flip cover closed.

FIG. 6 is a bottom plan view thereof with its flip cover open.

FIG. 7 is a front elevational view thereof with its flip cover closed.

FIG. 8 is a front elevational view thereof with its flip cover open.

FIG. 9 is a right side elevational view thereof with its flip cover closed.

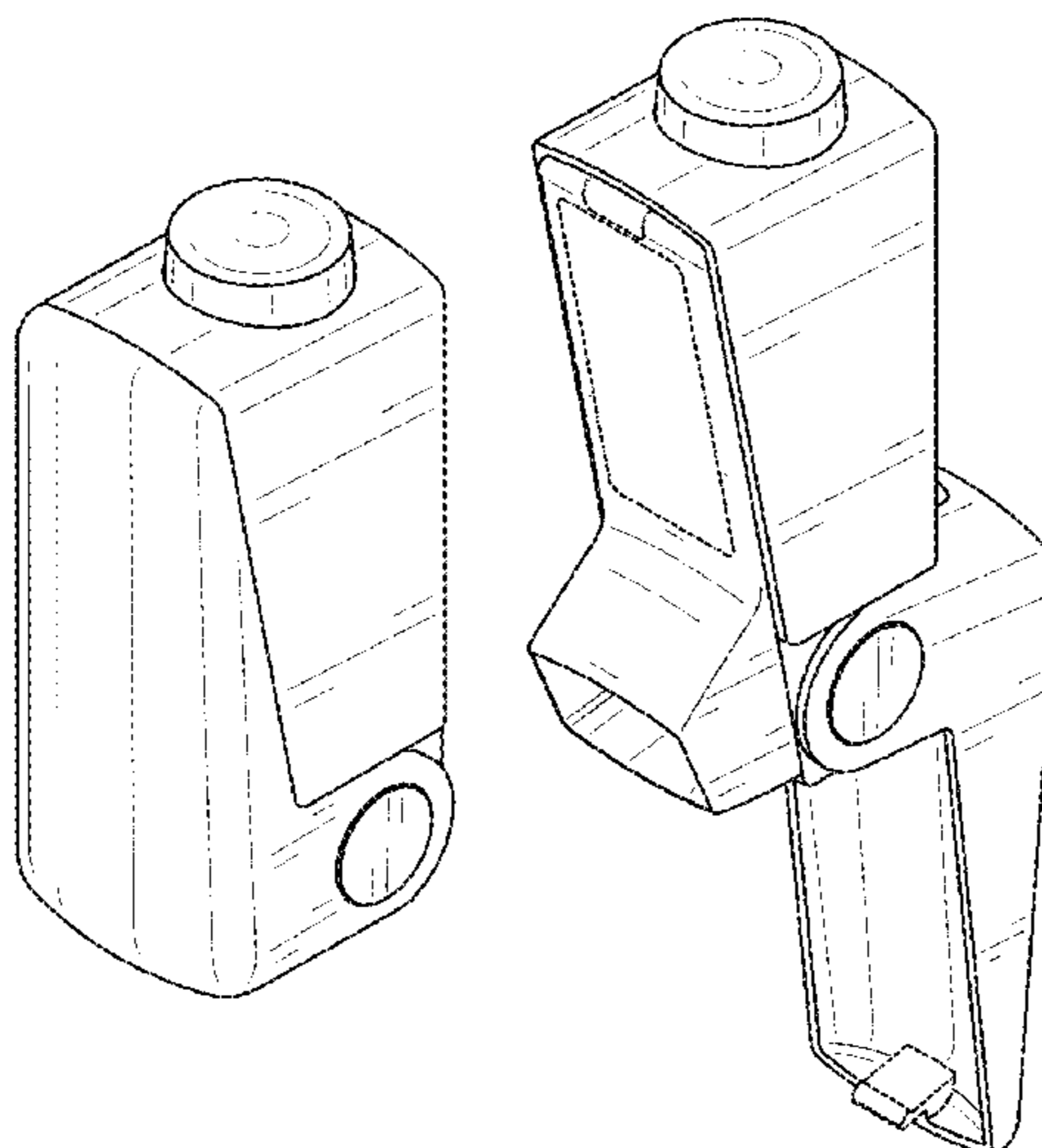
FIG. 10 is a right side elevational view thereof with its flip cover open.

FIG. 11 is a rear elevational view thereof with its flip cover closed; and,

FIG. 12 is a rear elevational view thereof with its flip cover open.

The broken lines in the drawings depict portions of the flip-open metered-dose inhaler that form no part of the claimed design.

1 Claim, 5 Drawing Sheets



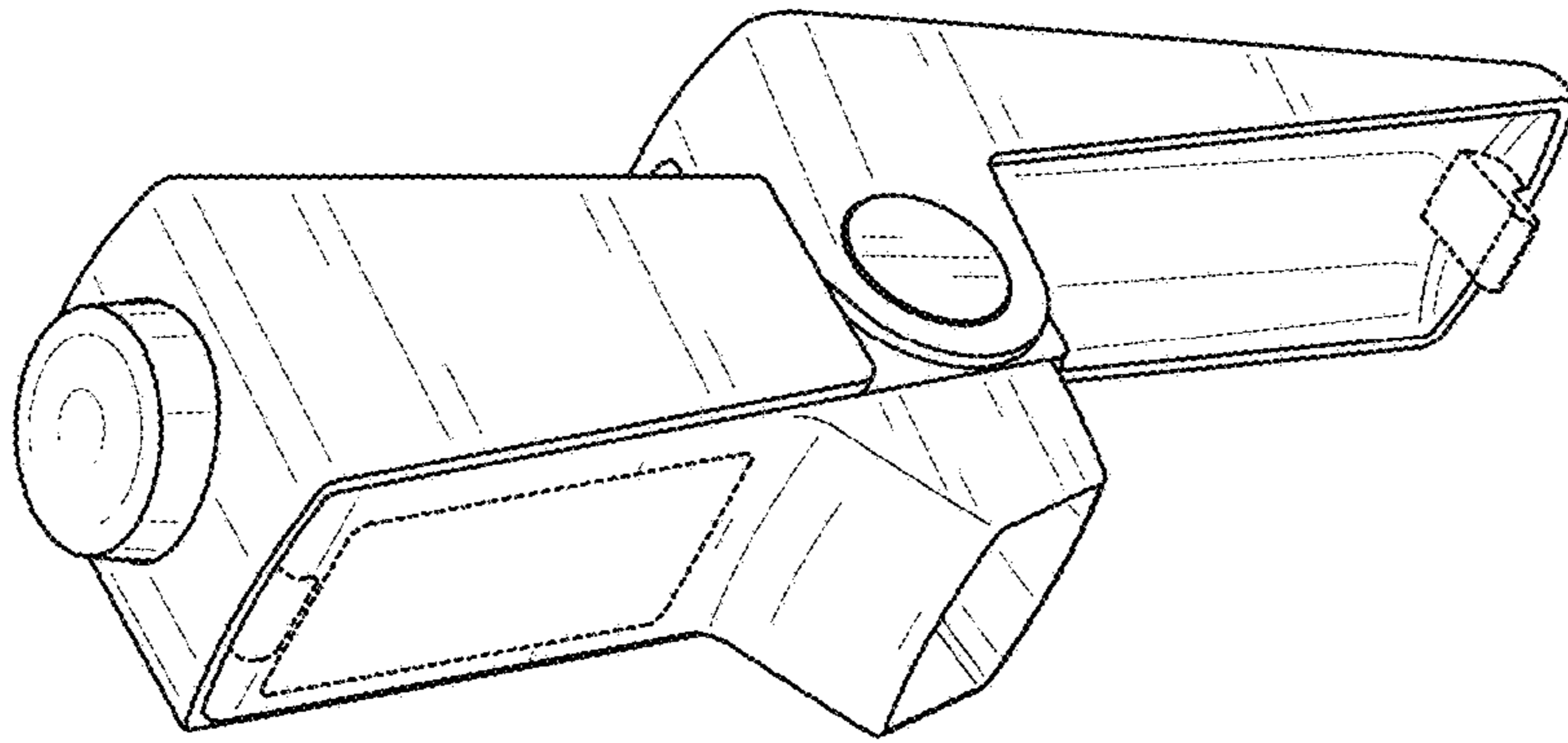


Fig. 2

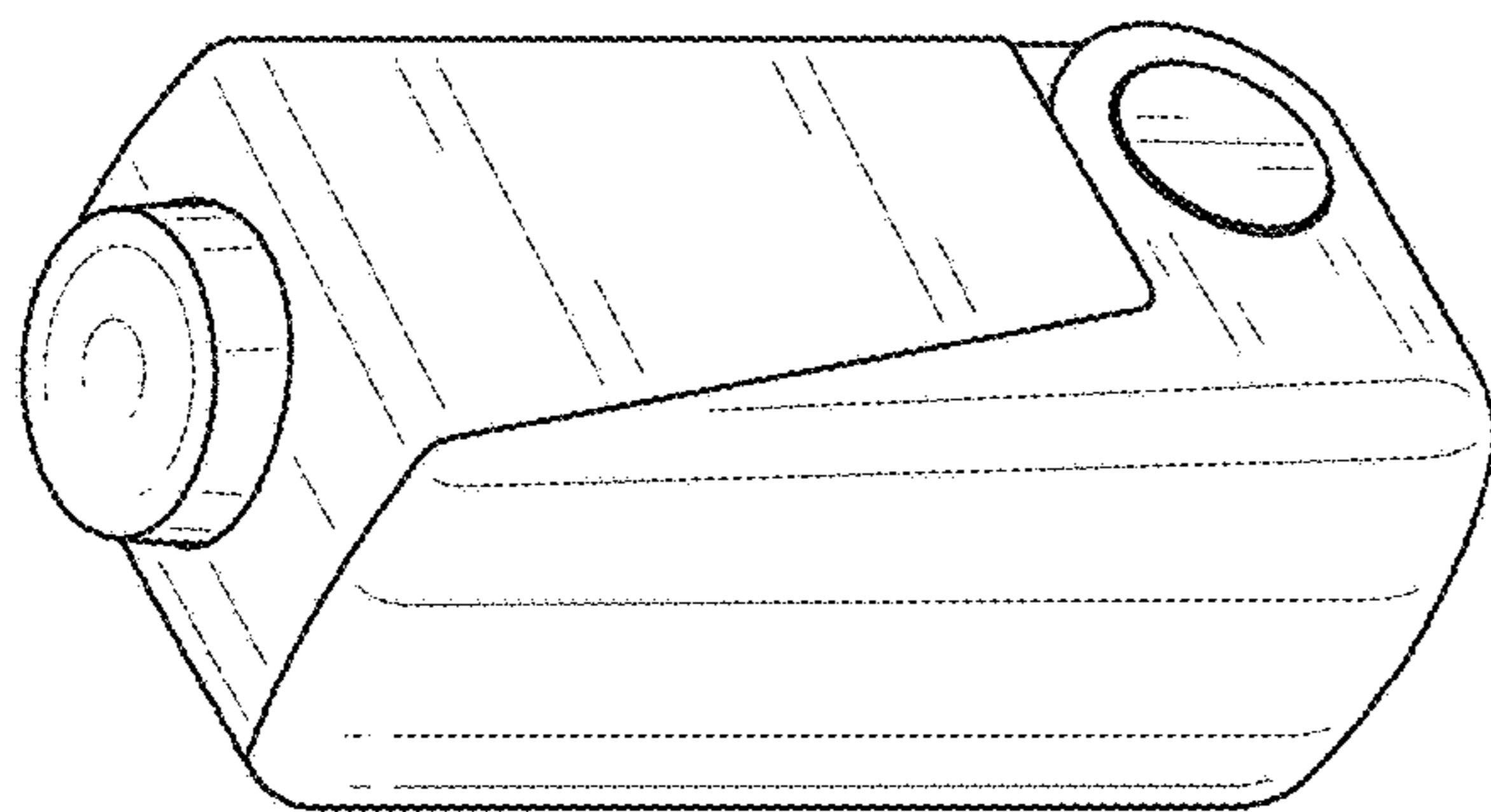


Fig. 1

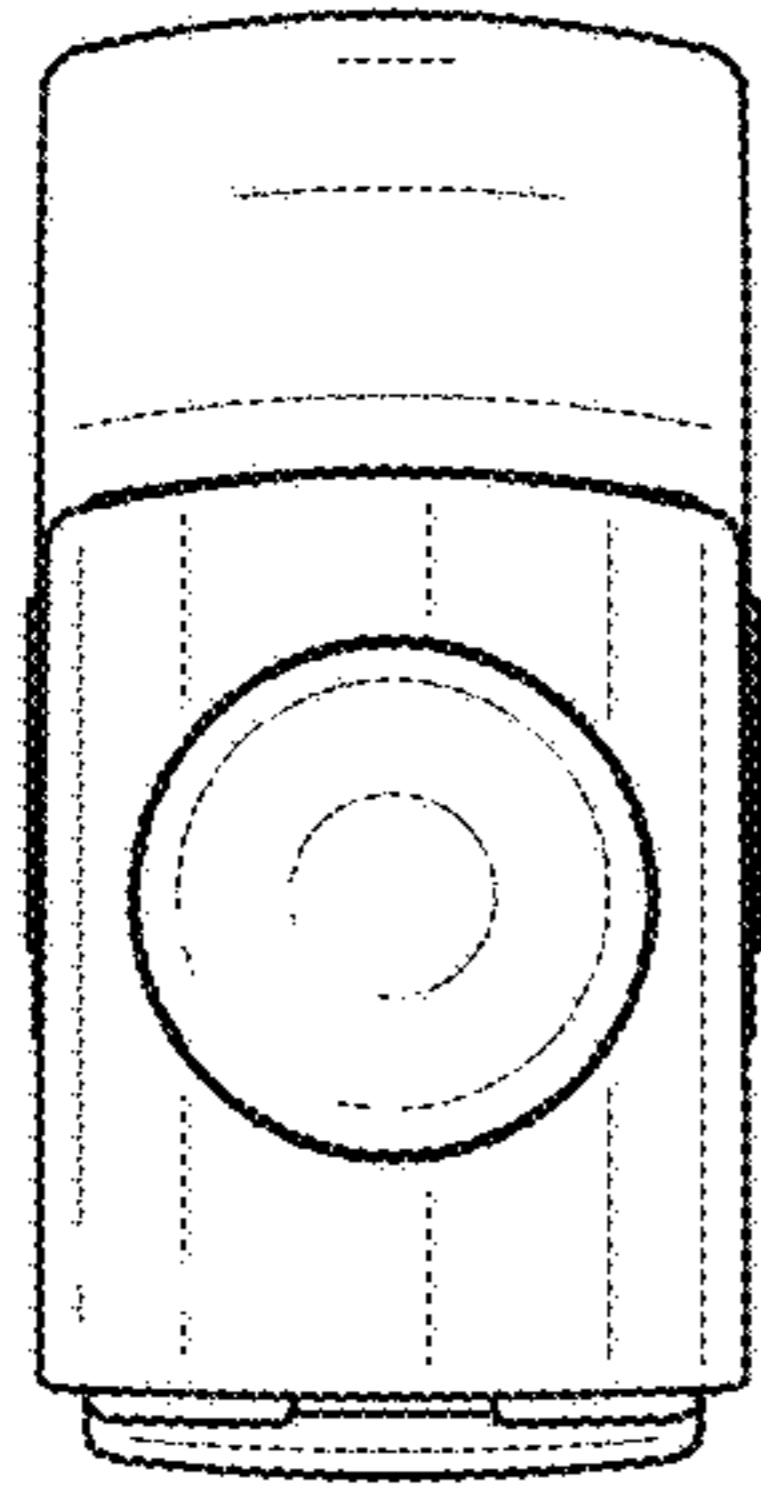


Fig. 3

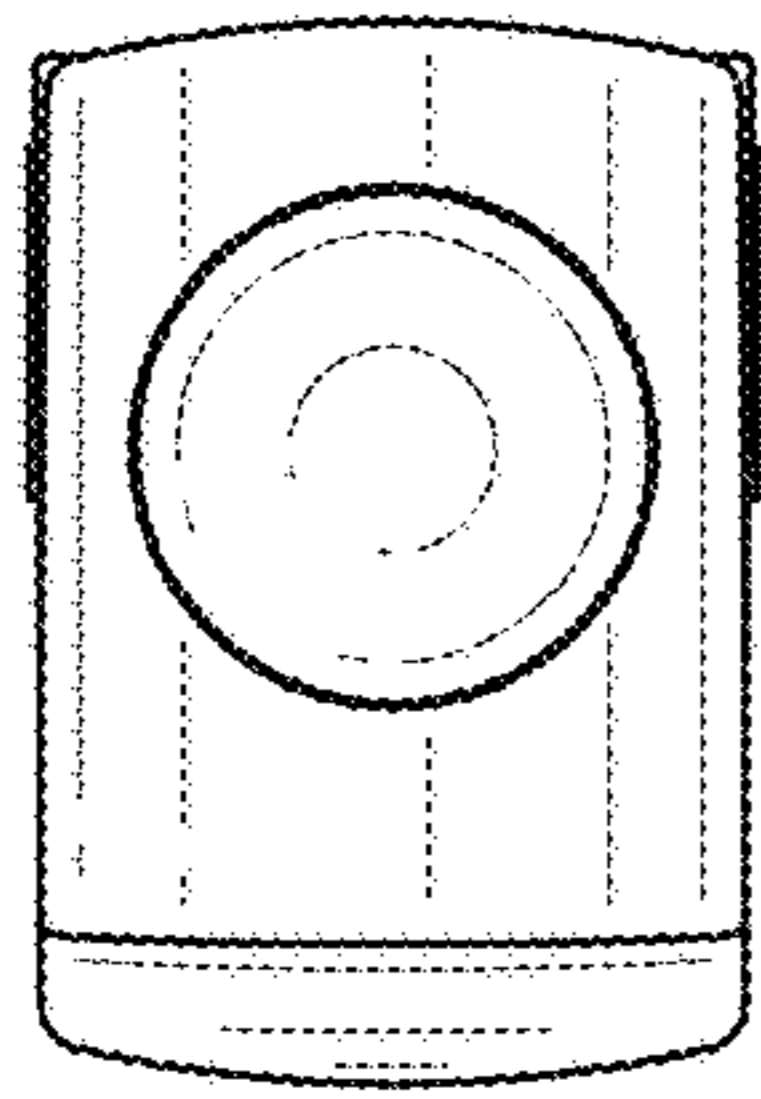


Fig. 4

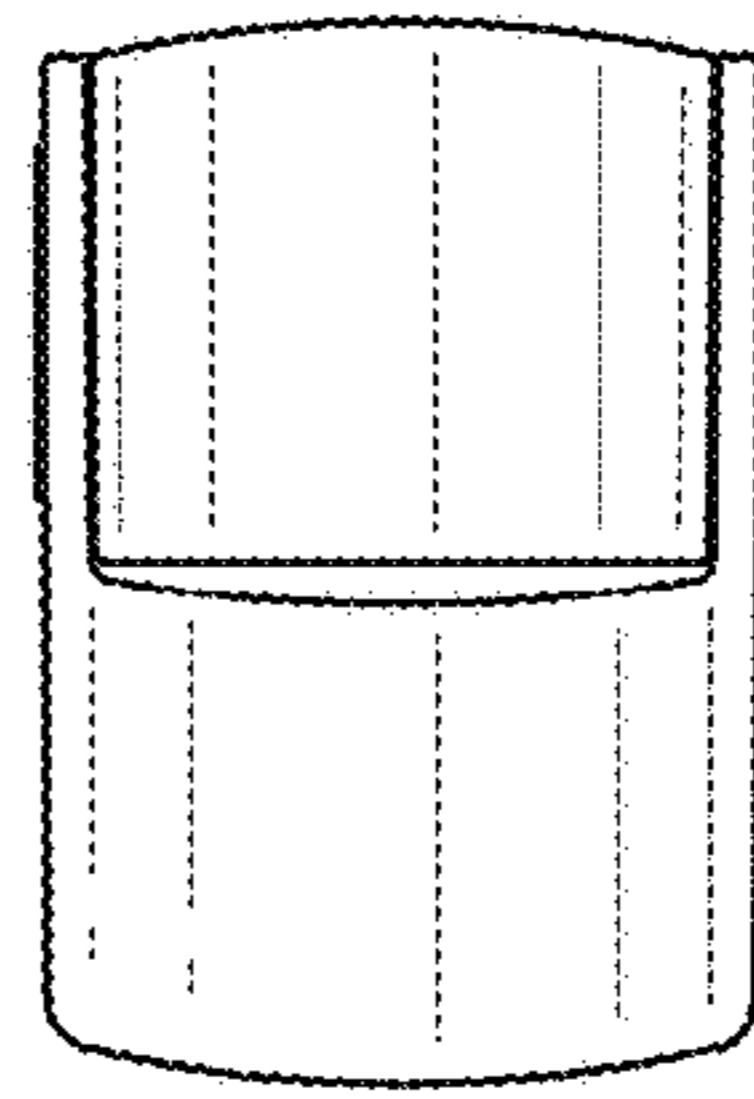


Fig. 5

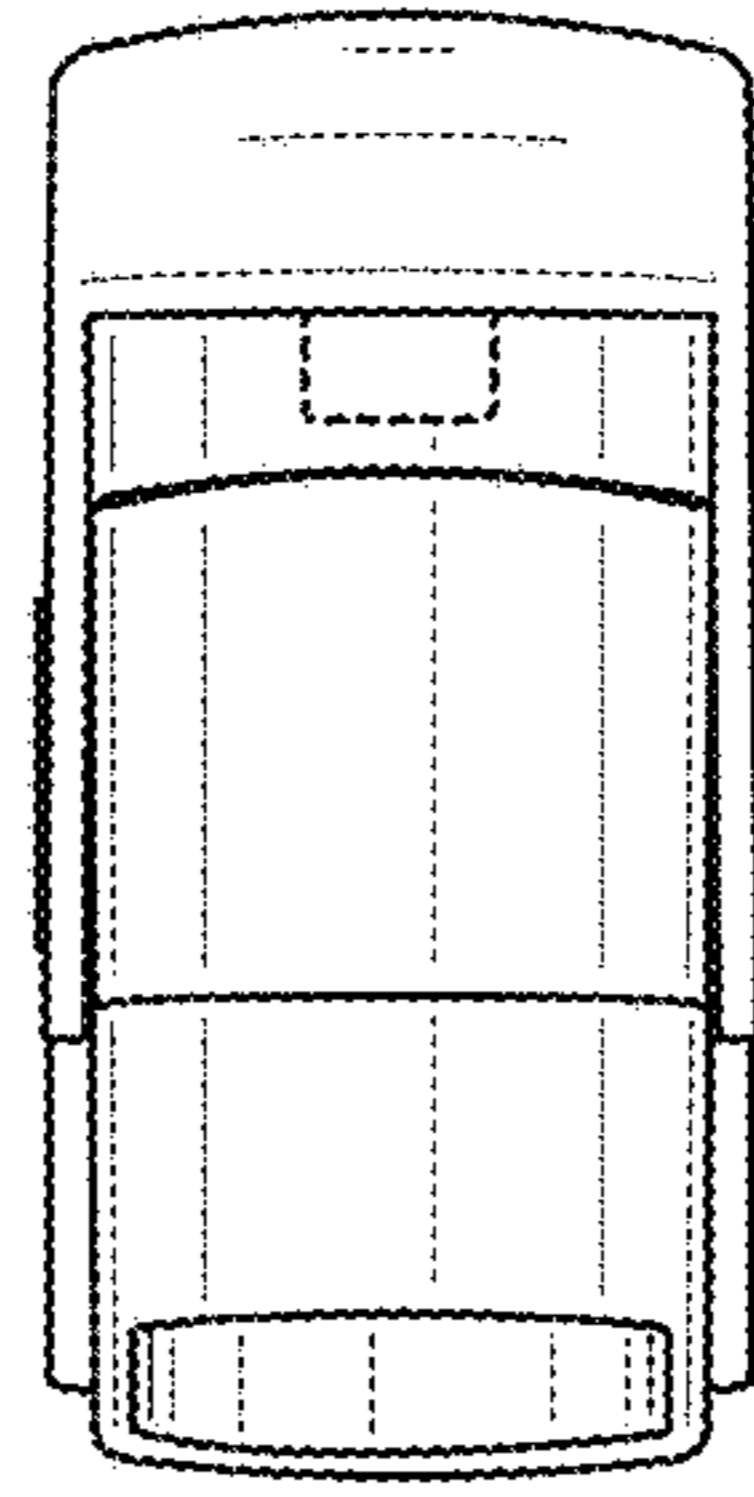


Fig. 6

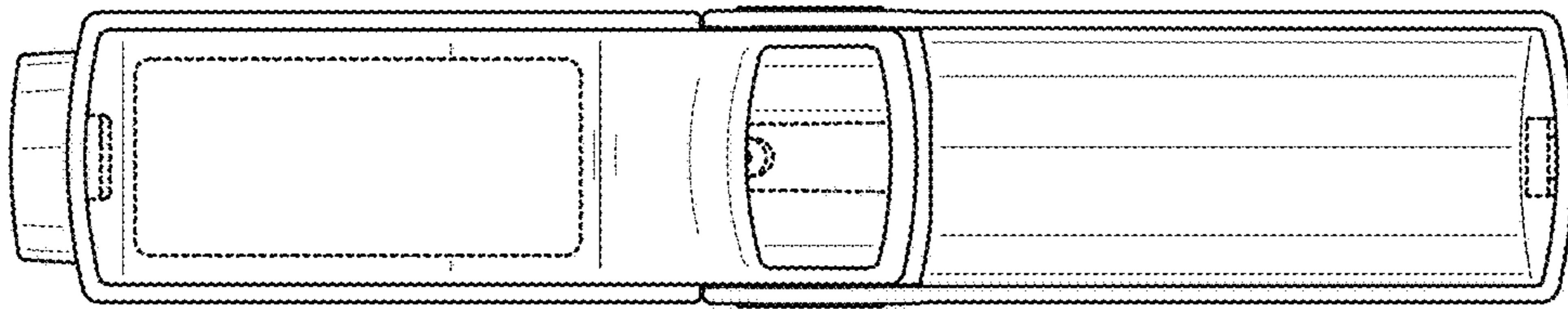


Fig. 8

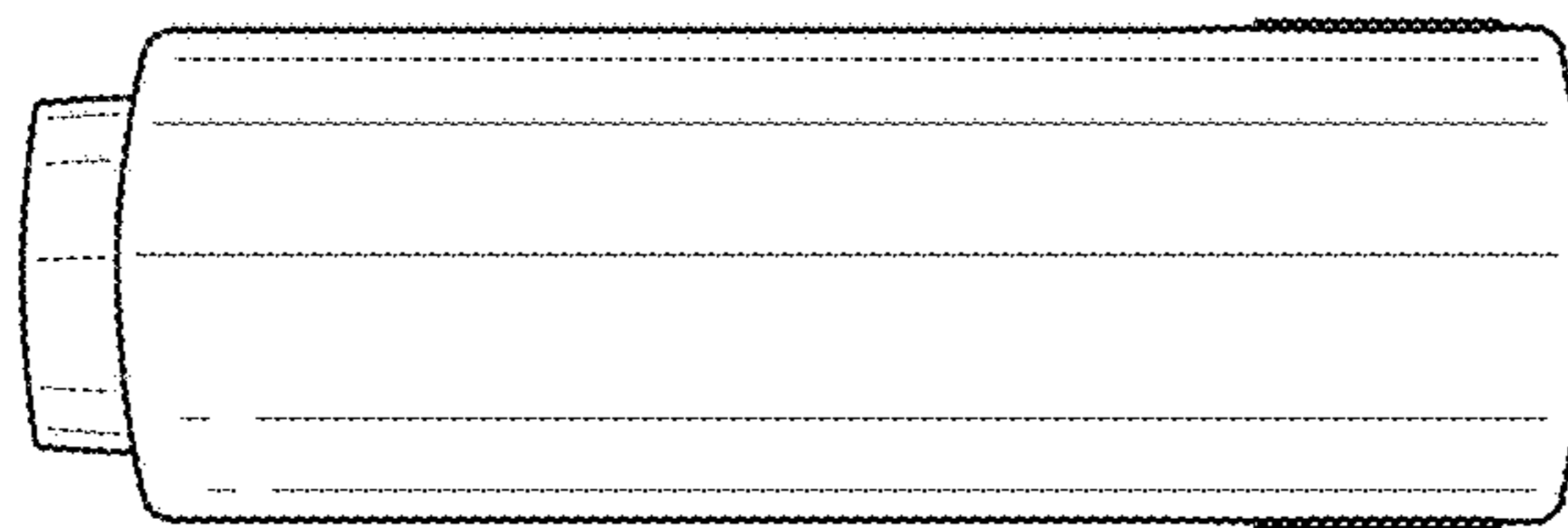


Fig. 7

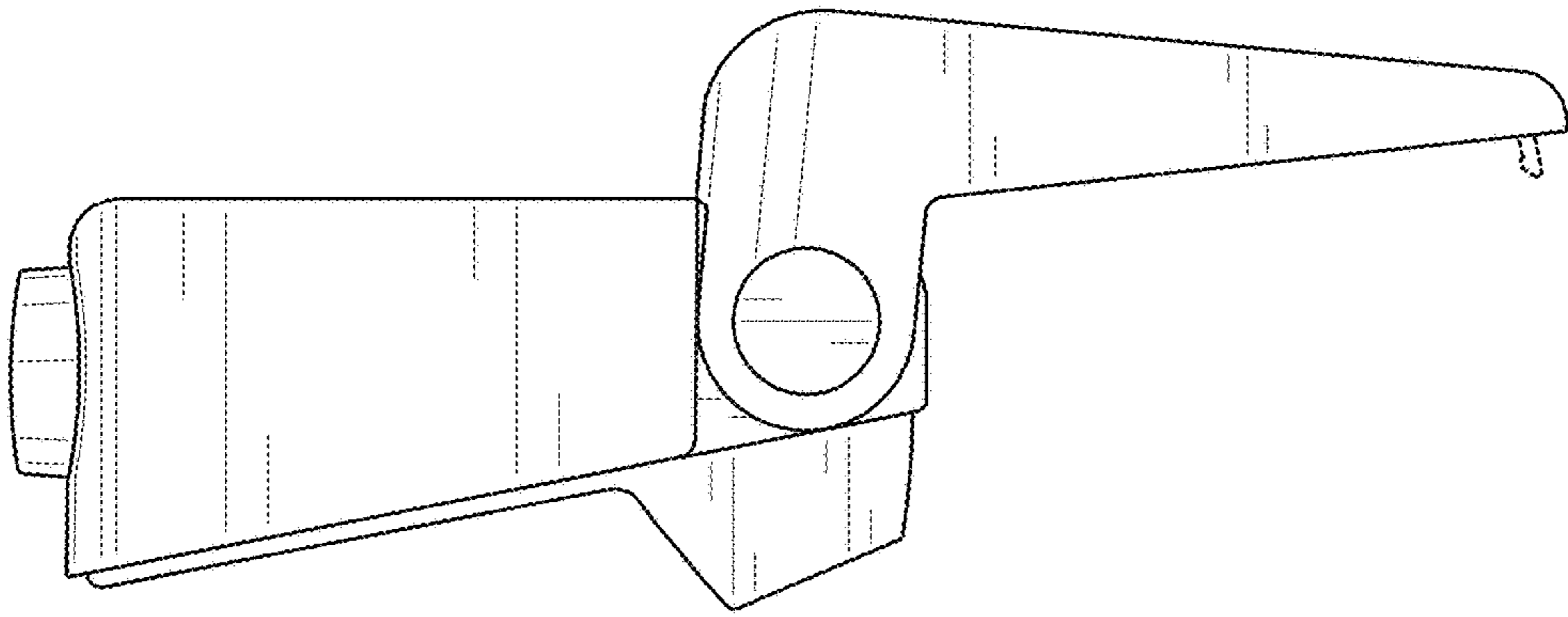


Fig. 10

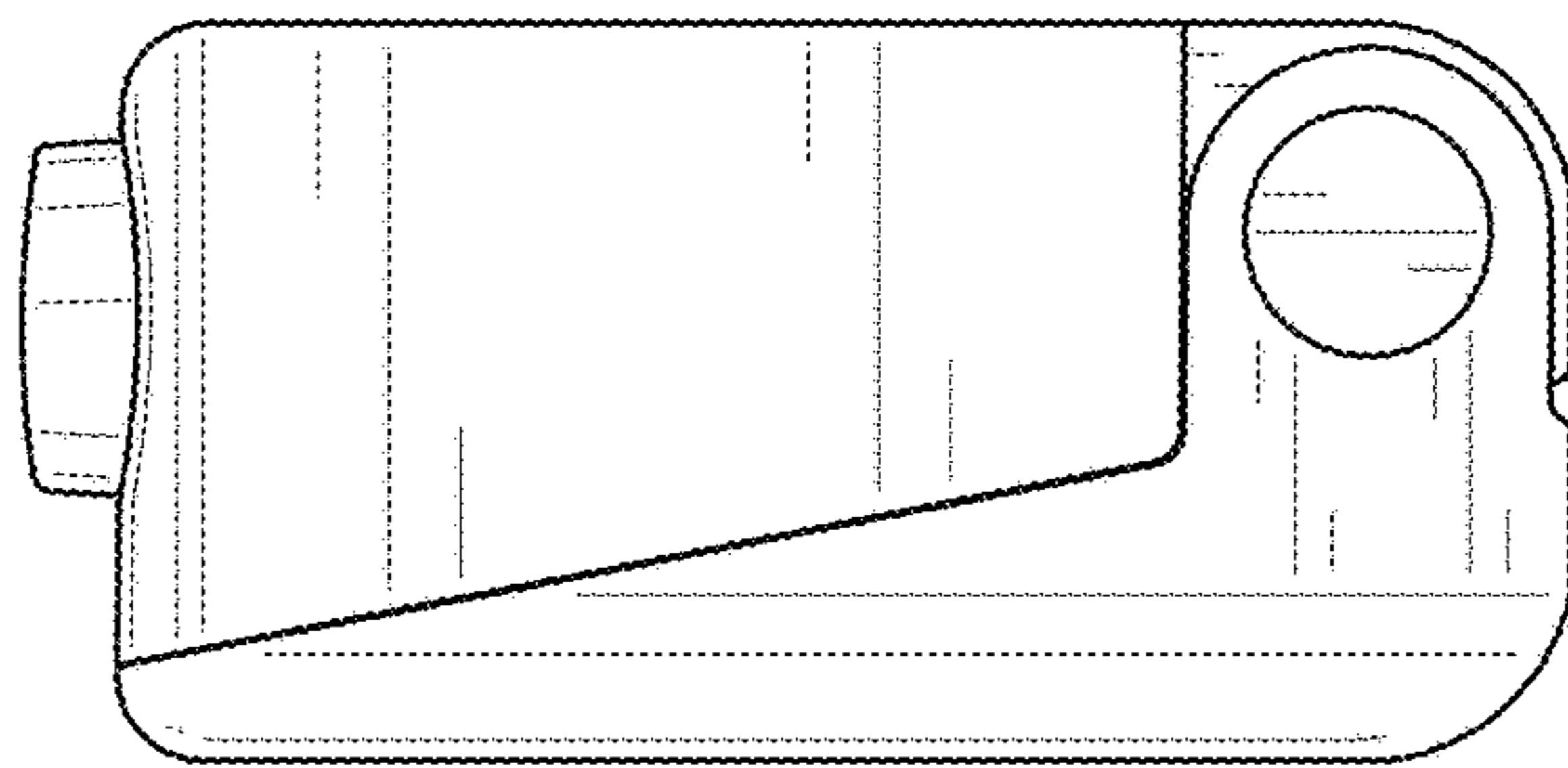


Fig. 9

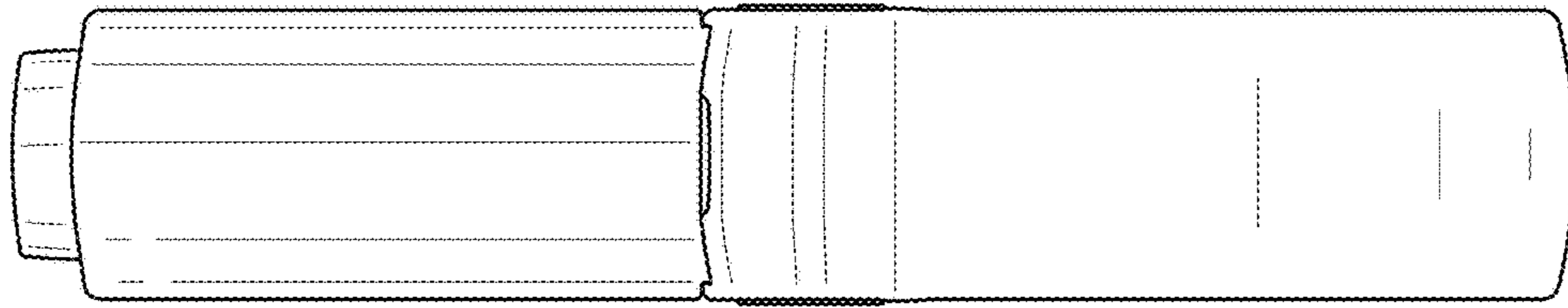


Fig. 12

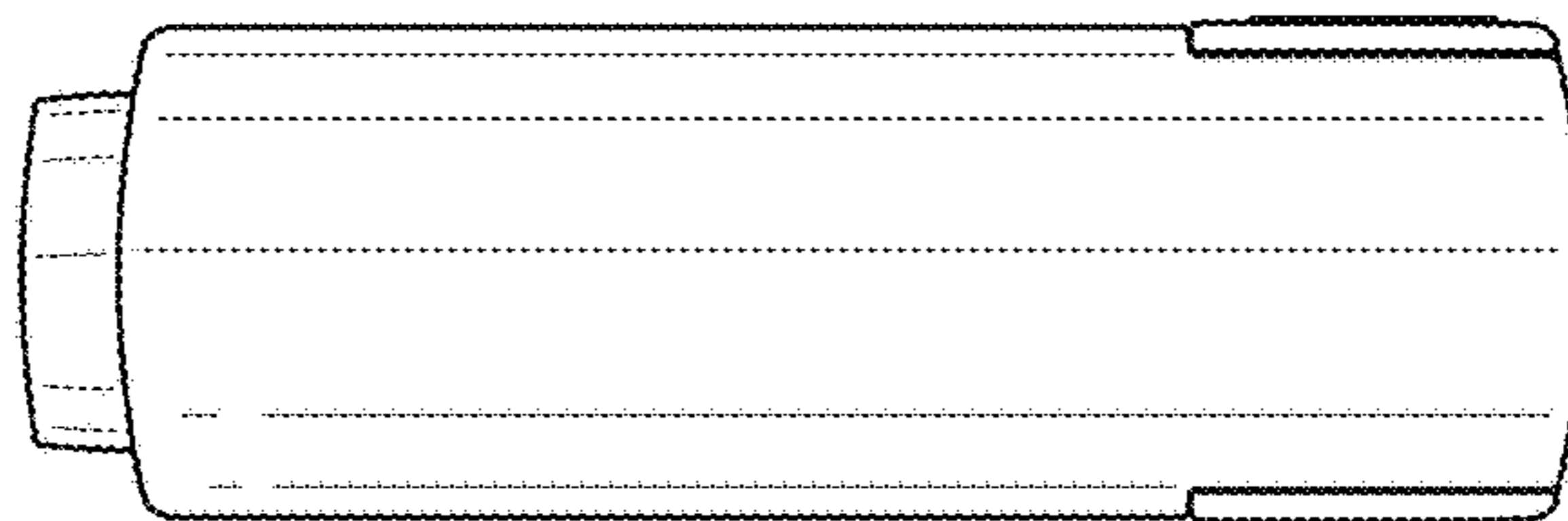


Fig. 11