



US00D863530S

(12) **United States Design Patent** (10) **Patent No.:** **US D863,530 S**
Lin et al. (45) **Date of Patent:** **** Oct. 15, 2019**

- (54) **NEBULIZER** D267,975 S * 2/1983 van Amerongen D23/205
5,853,002 A * 12/1998 Kawasaki A61M 11/06
128/200.14
- (71) Applicant: **Microbase Technology Corporation,** 6,044,841 A * 4/2000 Verdun A61M 11/06
Taoyuan (TW) 128/200.14
- (72) Inventors: **Chien-Hua Lin,** Taoyuan (TW); D591,418 S * 4/2009 White D24/110
Shao-Yi Huang, Taoyuan (TW); D683,012 S * 5/2013 Fahy D24/110
Yu-Chung Hsu, Taoyuan (TW); 9,333,317 B2 * 5/2016 Cortez, Jr. A61M 16/14
Kai-Yao Lo, Taoyuan (TW) D806,857 S * 1/2018 Hua D24/110
2007/0107719 A1 * 5/2007 Blacker A61M 11/06
128/200.14
- (73) Assignee: **MICROBASE TECHNOLOGY** 2008/0142002 A1 * 6/2008 Fink A61K 31/7036
CORPORATION, Taoyuan (TW) 128/200.14
- (**) Term: **15 Years** 2014/0000597 A1 * 1/2014 Korneff A61M 11/06
128/203.12
- (21) Appl. No.: **29/653,291** 2016/0279351 A1 * 9/2016 Gallem A61M 11/005
- (22) Filed: **Jun. 14, 2018** 2019/0038852 A1 * 2/2019 Dwyer A61M 11/04

* cited by examiner

Primary Examiner — Lilyana Bekic

(74) *Attorney, Agent, or Firm* — Leong C. Lei

(30) **Foreign Application Priority Data**

Dec. 15, 2017 (TW) 106307376

(51) **LOC (12) Cl.** **29-02**

(52) **U.S. Cl.**
USPC **D24/110**

(58) **Field of Classification Search**
USPC D24/108, 110, 100.5, 164
CPC A61M 11/005; A61M 15/0085; A61M
11/02; A61M 11/00; A61M 16/14; A61M
11/04

See application file for complete search history.

(56) **References Cited**

U.S. PATENT DOCUMENTS

- 3,097,645 A * 7/1963 Lester A61M 11/06
128/200.21
- 3,395,703 A * 8/1968 Chouinard A61M 11/06
128/200.21

(57) **CLAIM**

The ornamental design for a nebulizer, as shown and described.

DESCRIPTION

FIG. 1 is a perspective view of a nebulizer showing our new design;

FIG. 2 is a front elevational view thereof;

FIG. 3 is a rear elevational view thereof;

FIG. 4 is a left side view thereof;

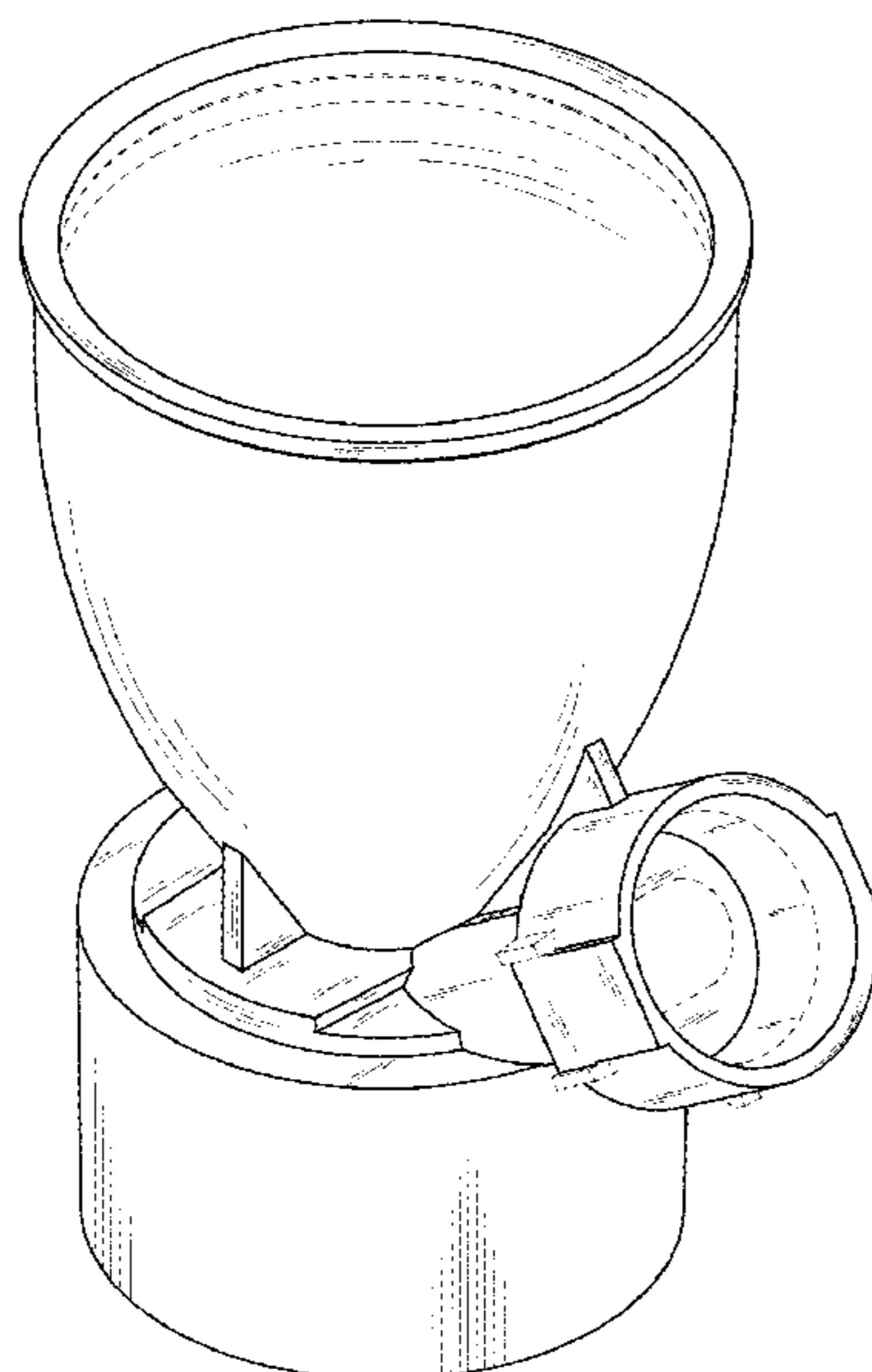
FIG. 5 is a right side view thereof;

FIG. 6 is a top plan view thereof; and,

FIG. 7 is a bottom plan view thereof.

The broken lines in the drawings depict portions of the nebulizer that form no part of the claimed design.

1 Claim, 6 Drawing Sheets



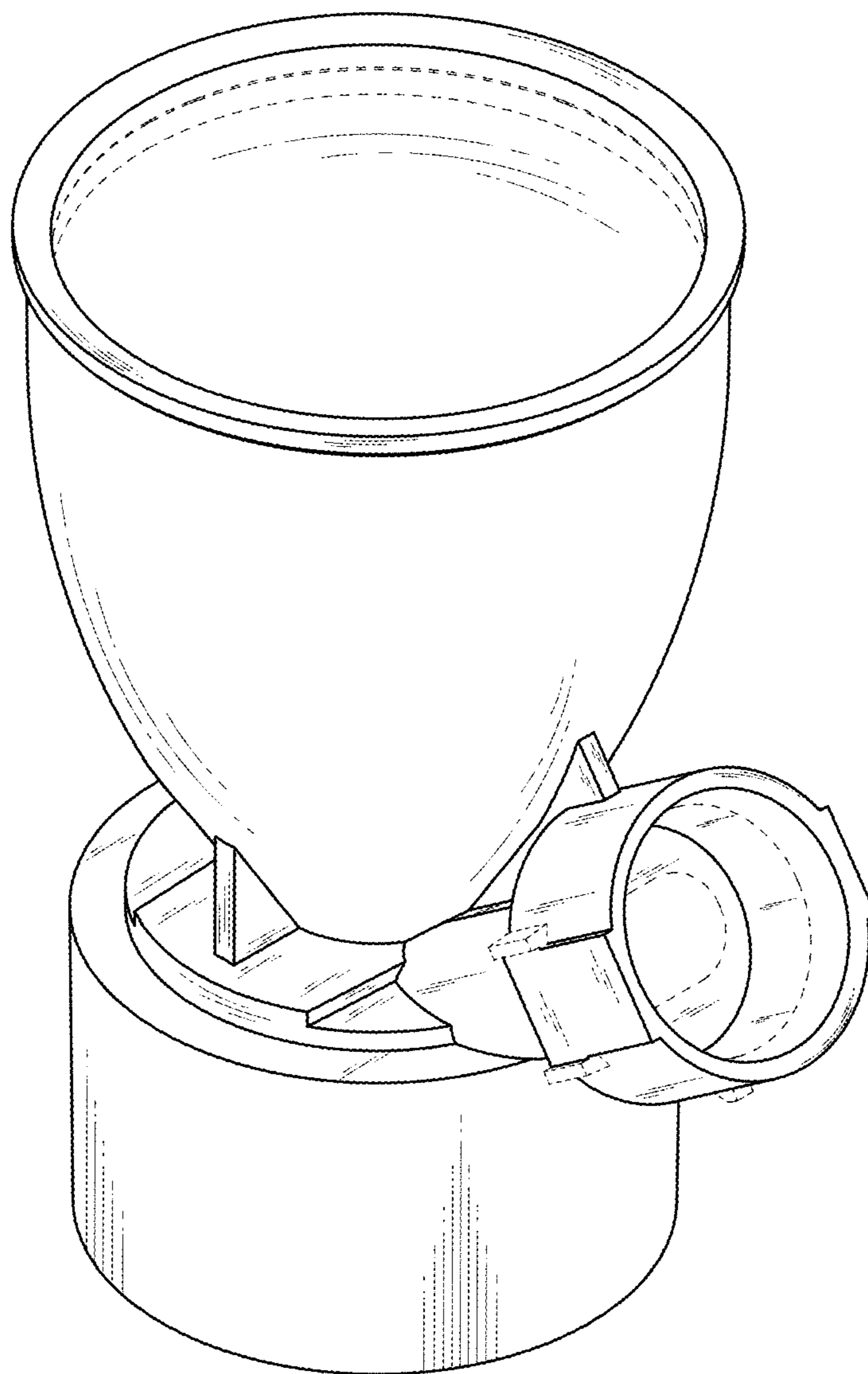


Fig. 1

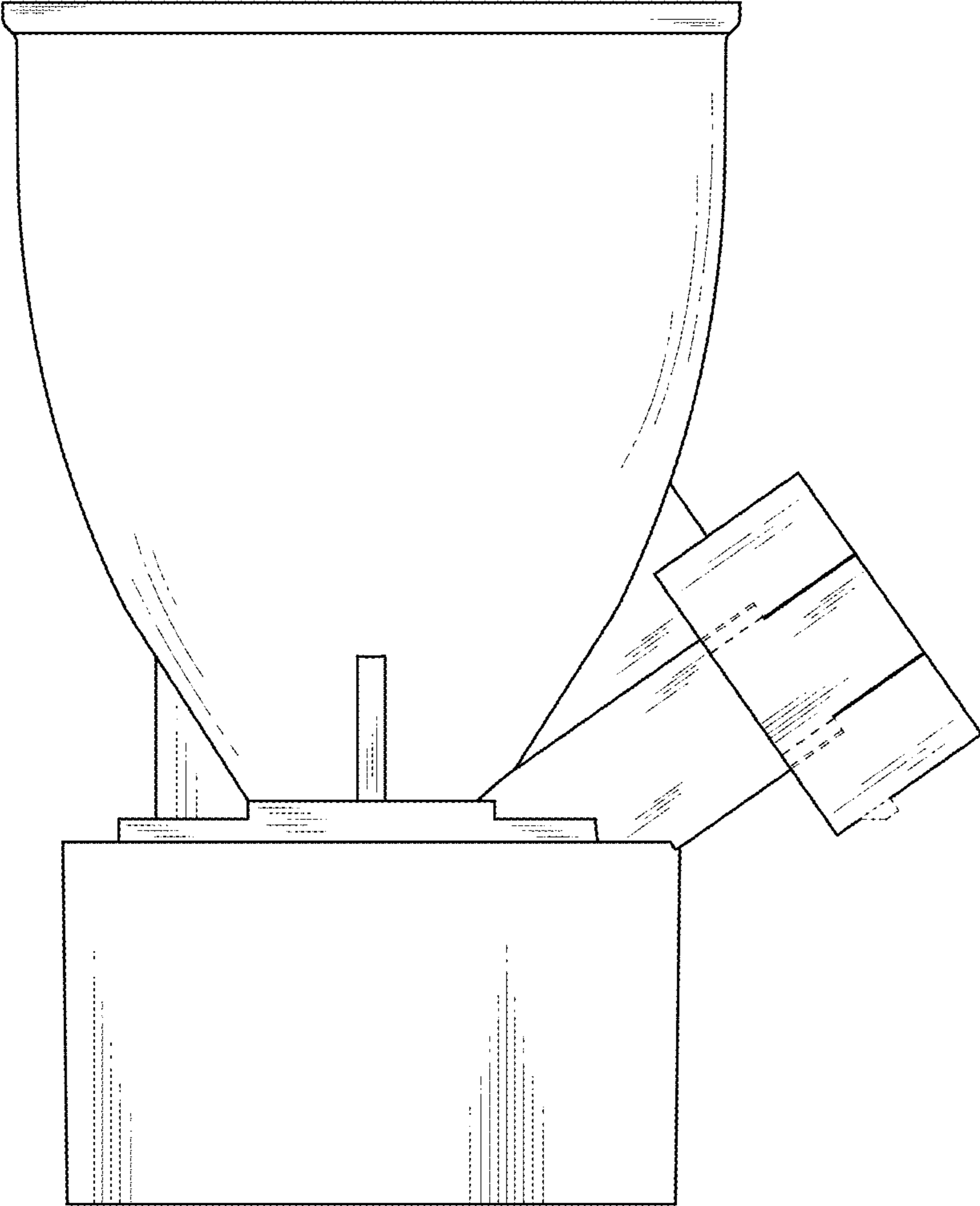


Fig. 2

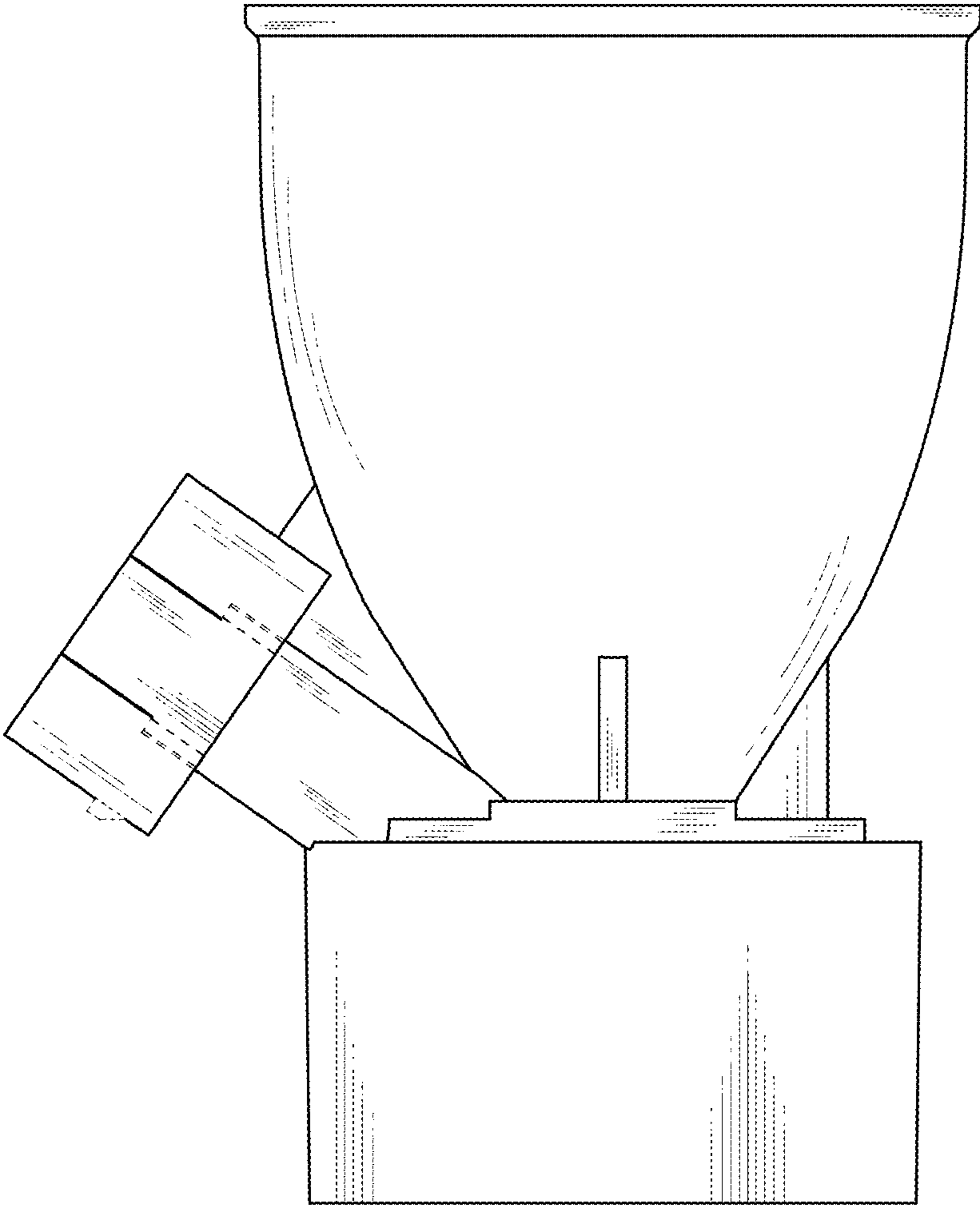


Fig. 3

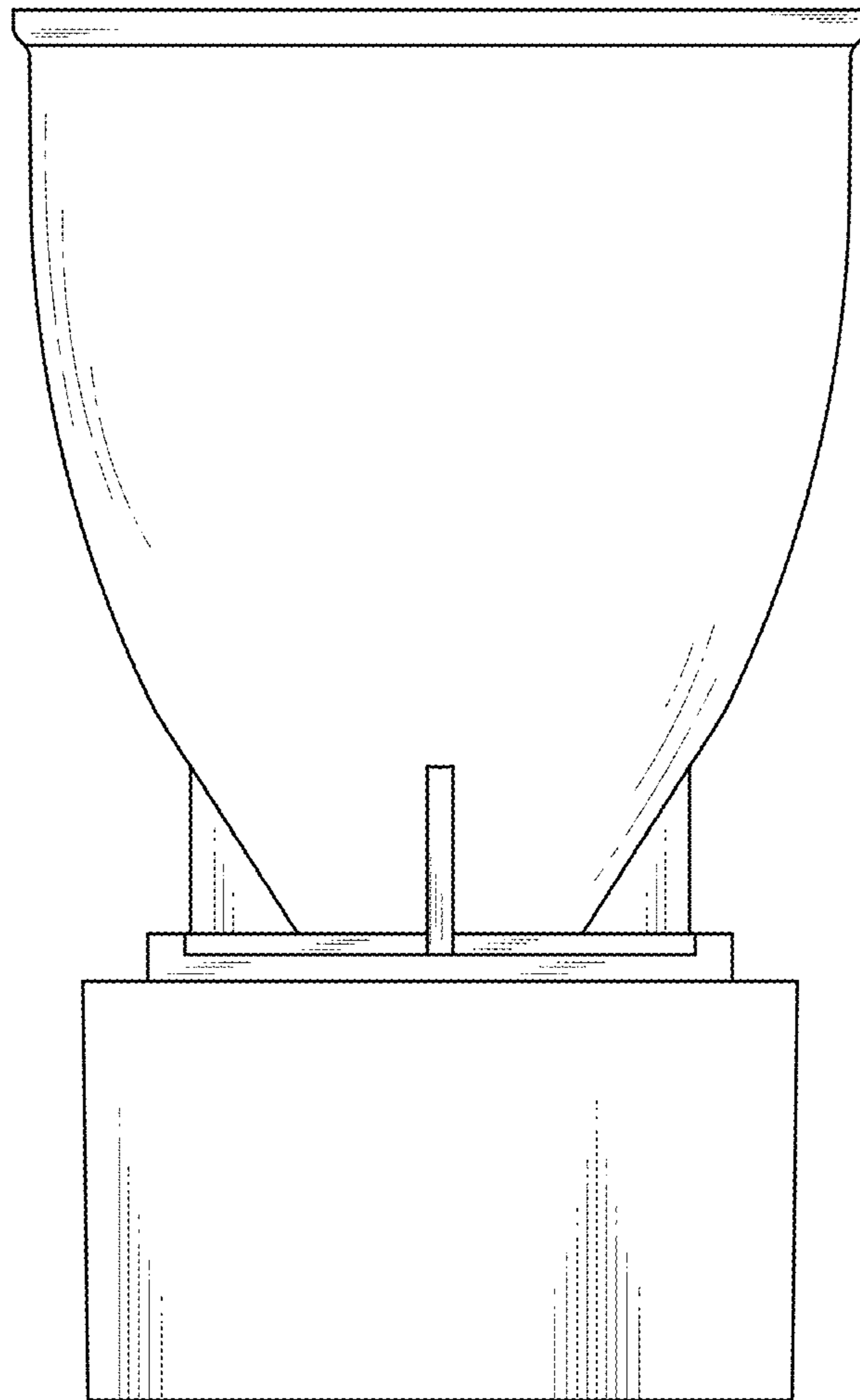


Fig. 4

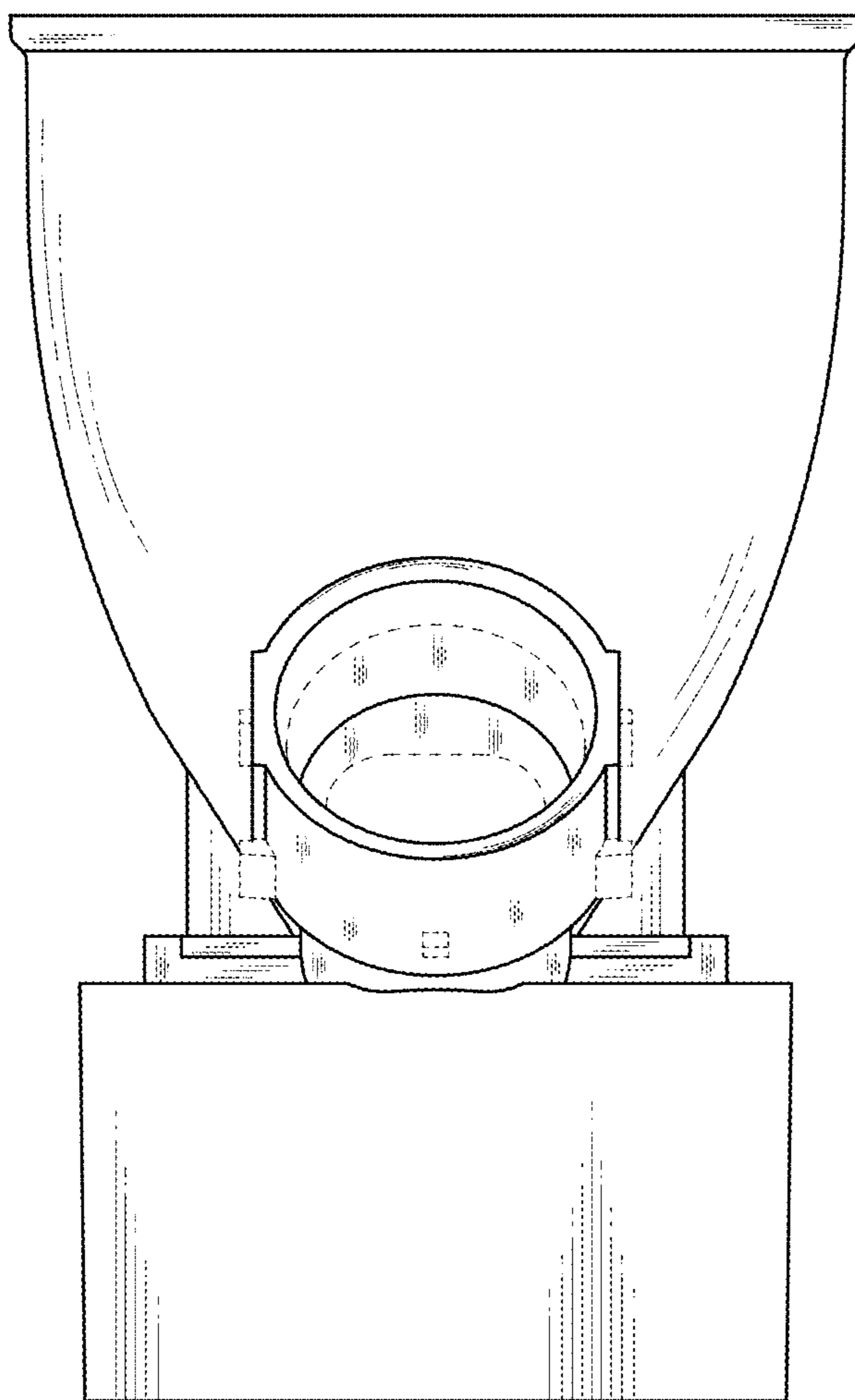


Fig. 5

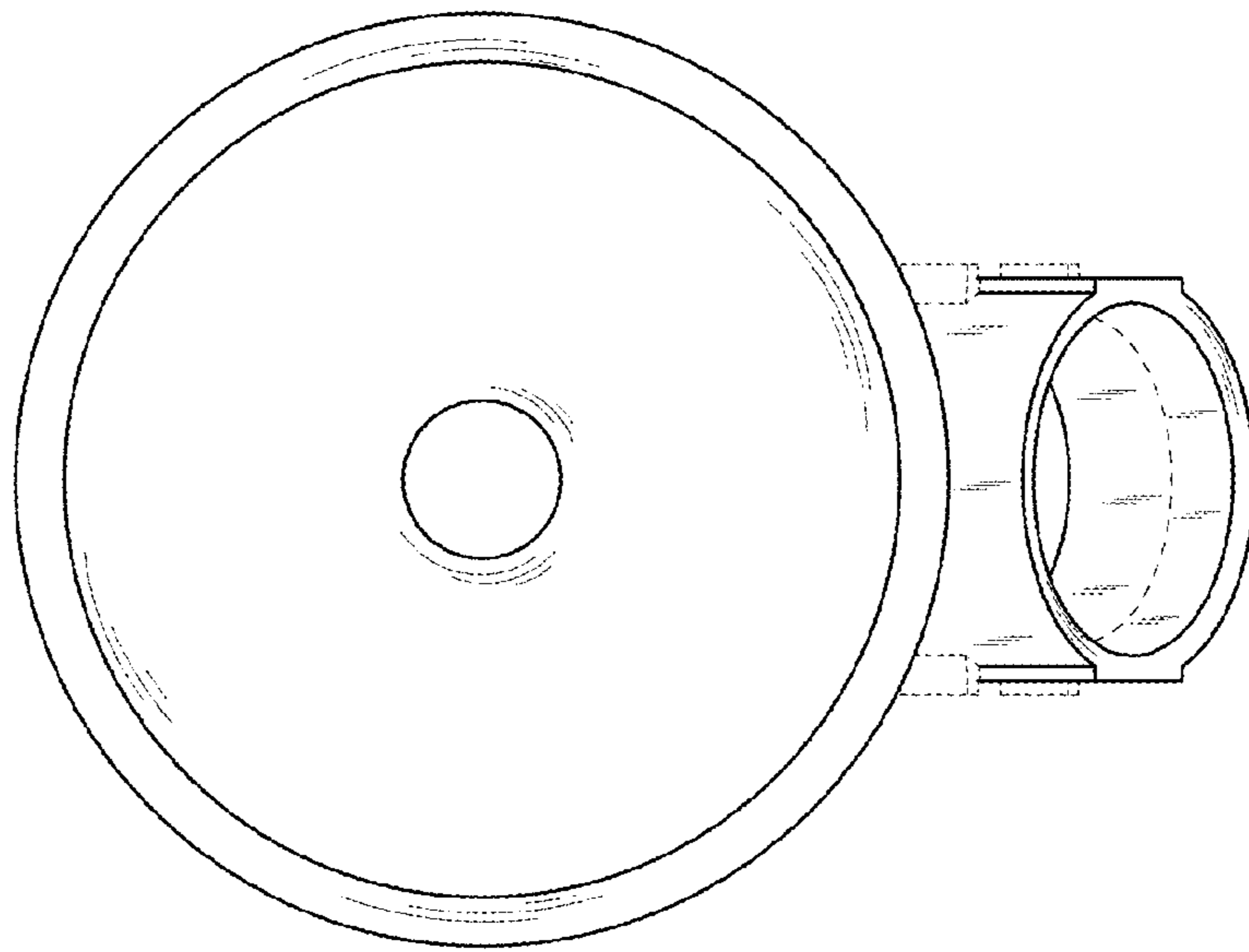


Fig. 6

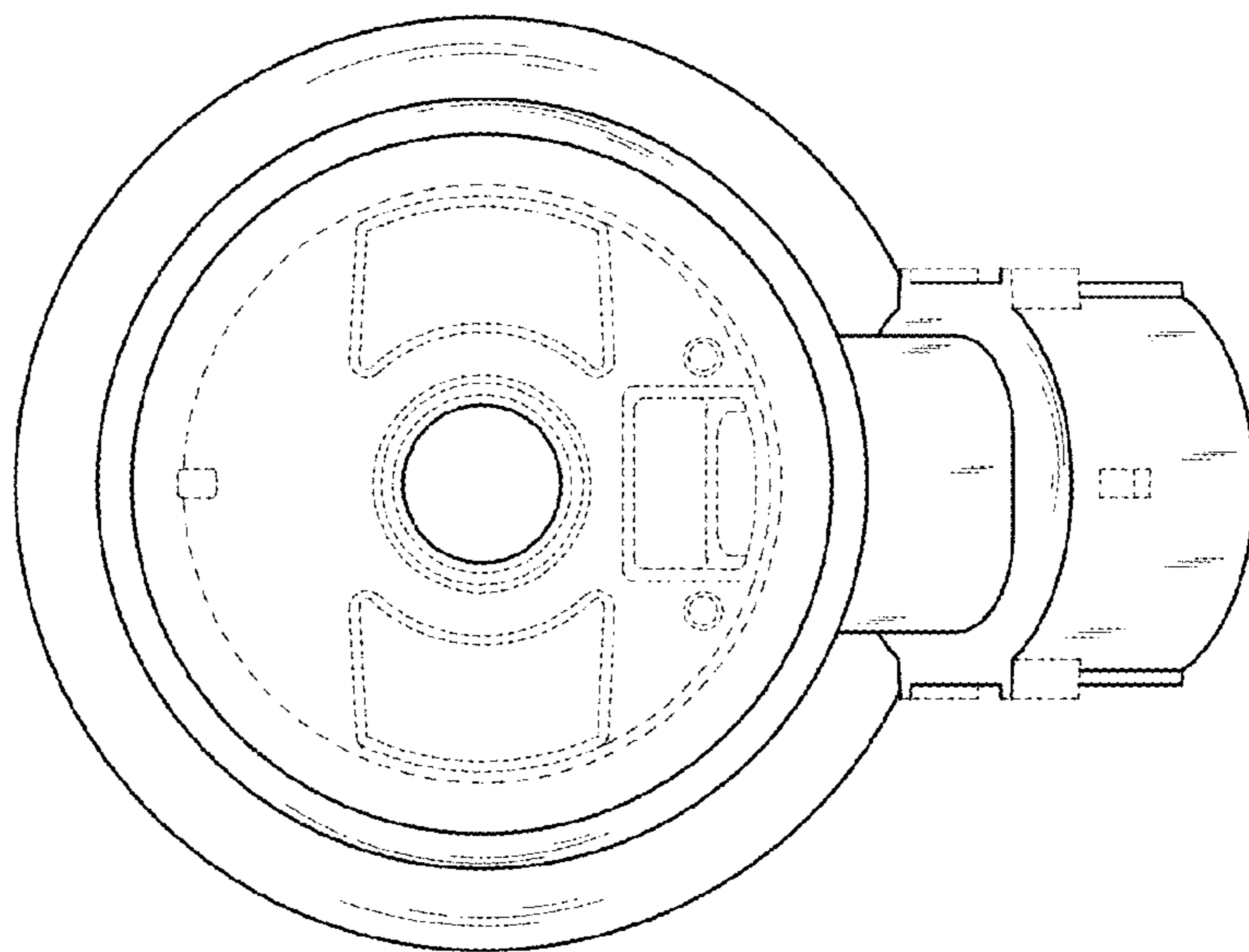


Fig. 7