



US00D863529S

(12) **United States Design Patent** (10) **Patent No.:** **US D863,529 S**
Clement et al. (45) **Date of Patent:** **** Oct. 15, 2019**

(54) **INHALER**

D614,024 S 4/2010 Eason et al.
D641,076 S 7/2011 Grunstad et al.
D657,045 S 4/2012 Palmer-Felgate et al.
(Continued)

(71) Applicant: **GLENMARK SPECIALTY S.A.**, La Chaux-de-Fonds (CH)

FOREIGN PATENT DOCUMENTS

(72) Inventors: **Ben Clement**, Los Gatos, CA (US);
Daniel Nelsen, Central Falls, RI (US);
Brian Noble, Harvard, MA (US); **Neal Anderson**, Marlborough, MA (US);
Ryan Hall, Clinton, MA (US)

EM 001178537-0001 11/2009
EM 001178537-0006 11/2009
(Continued)

(73) Assignee: **GLENMARK SPECIALTY S.A.**, La Chaux-de-Fonds (CH)

Primary Examiner — Lilyana Bekic
(74) *Attorney, Agent, or Firm* — Merchant & Gould P.C.

(**) Term: **15 Years**

(57) **CLAIM**
The ornamental design for an inhaler, as shown and described.

(21) Appl. No.: **29/555,237**

DESCRIPTION

(22) Filed: **Feb. 19, 2016**

(51) **LOC (12) Cl.** **24-04**

(52) **U.S. Cl.**
USPC **D24/110**

(58) **Field of Classification Search**
USPC D24/107–108, 110, 110.5, 164
CPC A61M 15/00; A61M 15/0065; A61M 15/0091; A61M 15/0021; A61M 15/0026; A61M 11/00; A61M 11/02; A61M 11/04
See application file for complete search history.

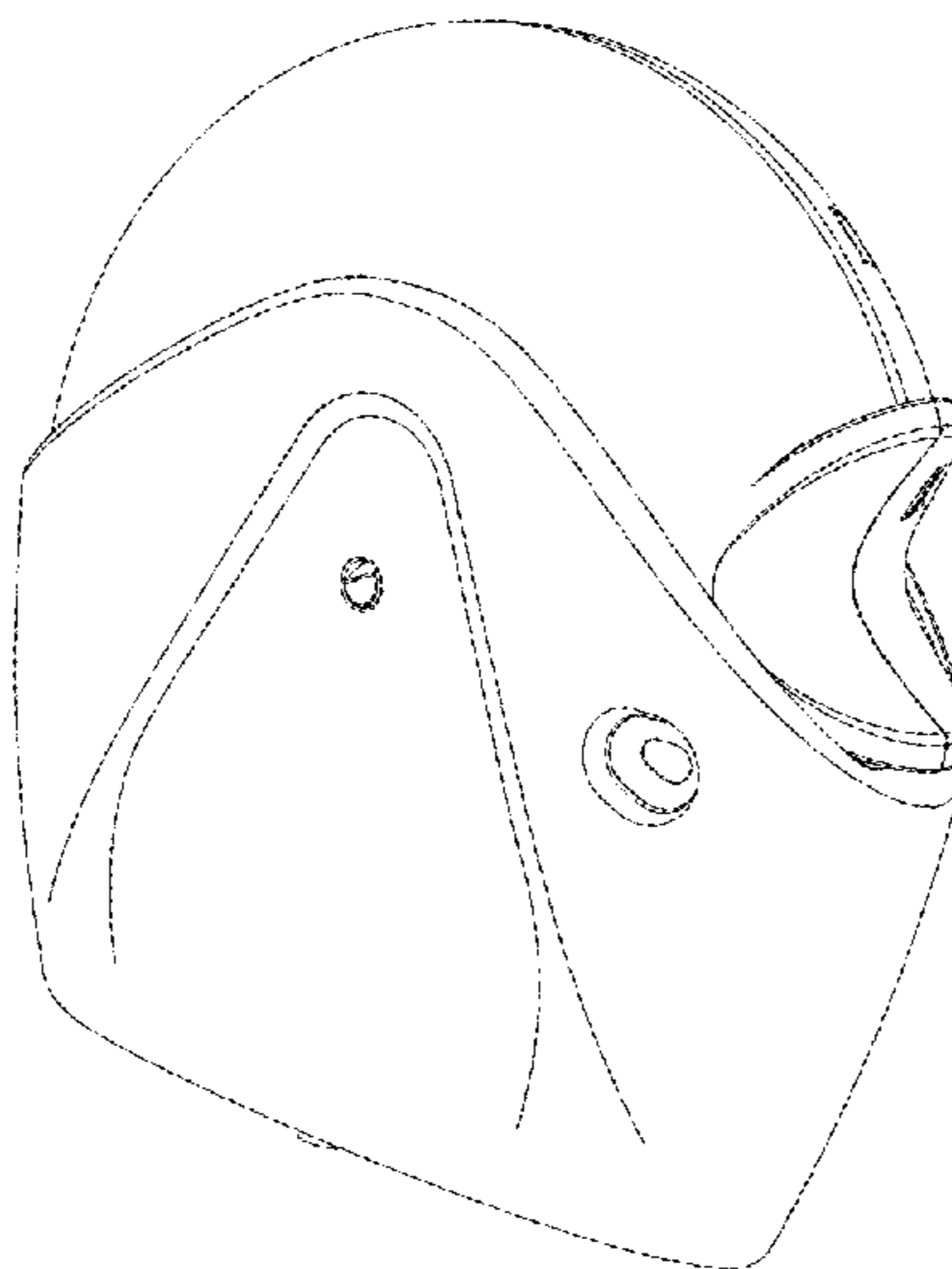
FIG. 1 is a top, front, left side perspective view of an inhaler shown in a closed configuration in accordance with the new design;
FIG. 2 is a top, rear, right side perspective view thereof;
FIG. 3 is left side view thereof;
FIG. 4 is a right side view thereof;
FIG. 5 is a front view thereof;
FIG. 6 is a rear view thereof
FIG. 7 is a top view thereof;
FIG. 8 is a bottom view thereof;
FIG. 9 is a top, front, left side perspective view of the inhaler shown in an open configuration in accordance with the new design;
FIG. 10 is a top, rear, right side perspective view thereof;
FIG. 11 is left side view thereof;
FIG. 12 is a right side view thereof;
FIG. 13 is a front view thereof;
FIG. 14 is a rear view thereof
FIG. 15 is a top view thereof; and,
FIG. 16 is a bottom view thereof.
The portions shown in broken lines form no part of the claimed design.

(56) **References Cited**

U.S. PATENT DOCUMENTS

D342,994 S 1/1994 Rand et al.
D452,910 S 1/2002 Braithwaite et al.
D492,769 S 7/2004 Hatanaka
D518,171 S 3/2006 Anderson et al.
D569,967 S 5/2008 Pearl et al.
D576,724 S 9/2008 Jensen et al.
D577,815 S 9/2008 Gokhale et al.
D583,463 S 12/2008 Wood et al.
D590,495 S 4/2009 Lulla et al.
D590,938 S 4/2009 Lulla et al.

1 Claim, 8 Drawing Sheets



(56)

References Cited

U.S. PATENT DOCUMENTS

D659,236 S	5/2012	Bobjer et al.	
D667,105 S	9/2012	Zuyderhoudt	
D670,374 S	11/2012	Bobjer et al.	
D671,207 S	11/2012	Bobjer et al.	
D677,377 S	3/2013	White	
D684,254 S	6/2013	Zuyderhoudt	
D693,458 S	11/2013	Wright et al.	
D737,425 S	8/2015	Wieczorek	
D838,835 S *	1/2019	Wu	D24/110
2004/0035420 A1	2/2004	Davies et al.	
2008/0236579 A1	10/2008	Zierenberg et al.	
2008/0295833 A1	12/2008	Rohrschneider et al.	
2012/0260917 A1	10/2012	Bilgic	
2016/0045684 A1	2/2016	Ono	

FOREIGN PATENT DOCUMENTS

EM	002242651-0001	3/2013
EM	002226407-0002	5/2013

EM	002242404-0001	6/2013
EM	002242503-0001	6/2013
EM	002256834-0002	7/2013
EM	002258087-0001	7/2013
EM	002270793-0002	7/2013
EM	002321075-0001	10/2013
EM	002429696-0001	3/2014
EM	002429696-0002	3/2014
EM	002429696-0003	3/2014
EM	002429696-0004	3/2014
EM	002542399-0001	10/2014
EM	002542399-0002	10/2014
EM	002678292-0001	4/2015
EM	002773796-0001	10/2015
EM	002773796-0002	10/2015
EM	002773796-0003	10/2015
EM	002804195-0001	12/2015
EM	002804195-0002	12/2015
WO	2010/114506 A1	10/2010
WO	2015/030242 A1	3/2015
WO	2015/147293 A1	10/2015

* cited by examiner

FIG. 1

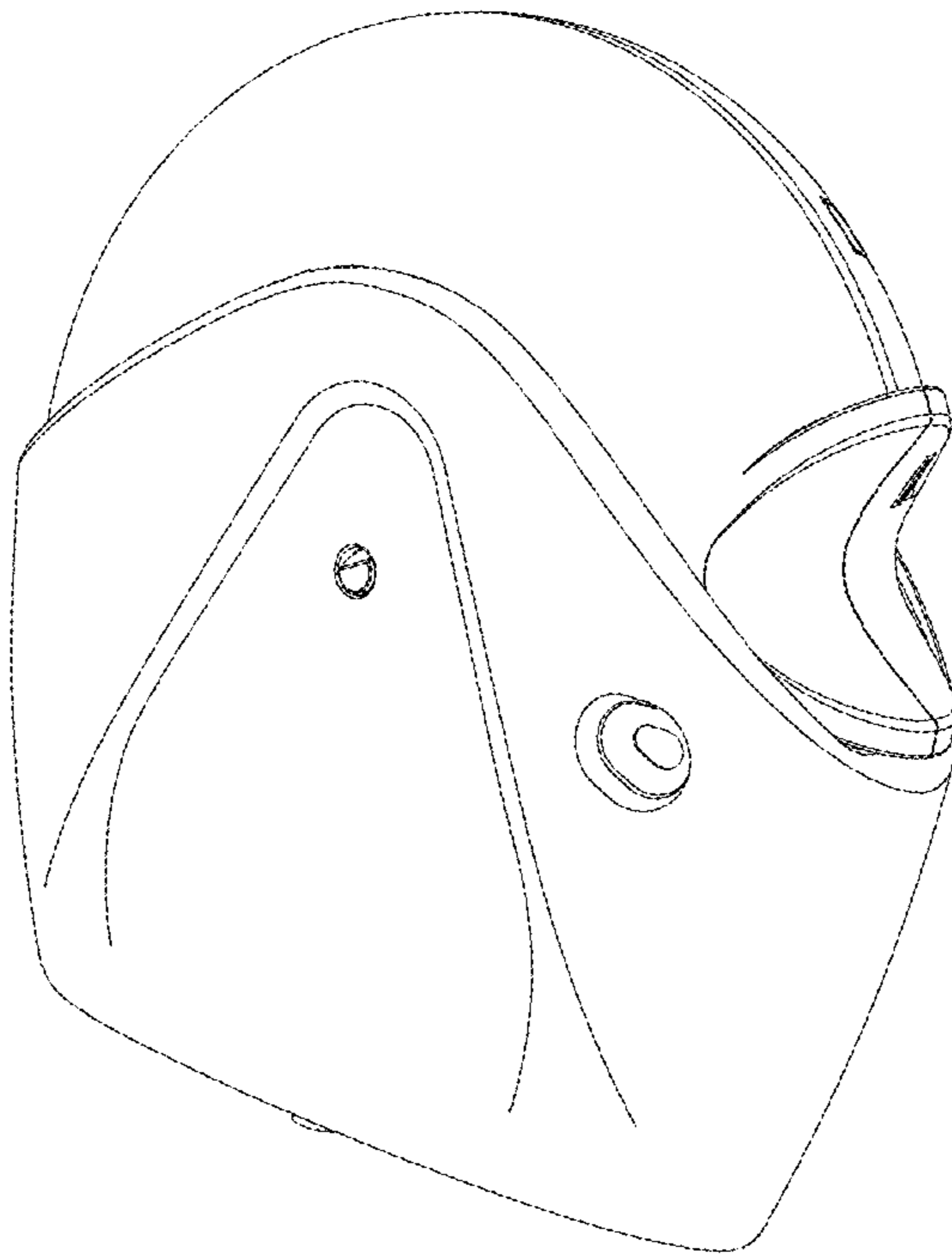


FIG. 2

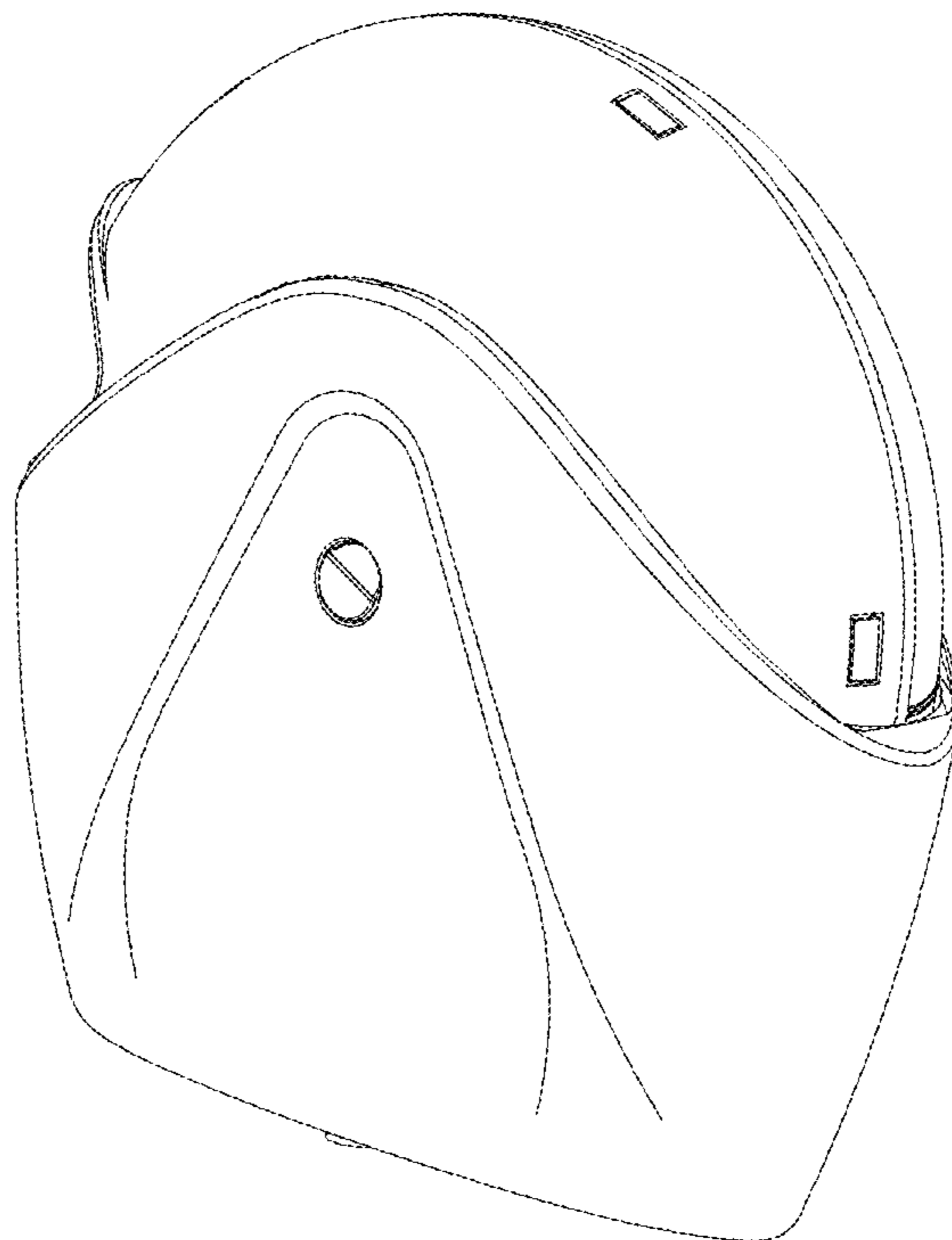


FIG. 4

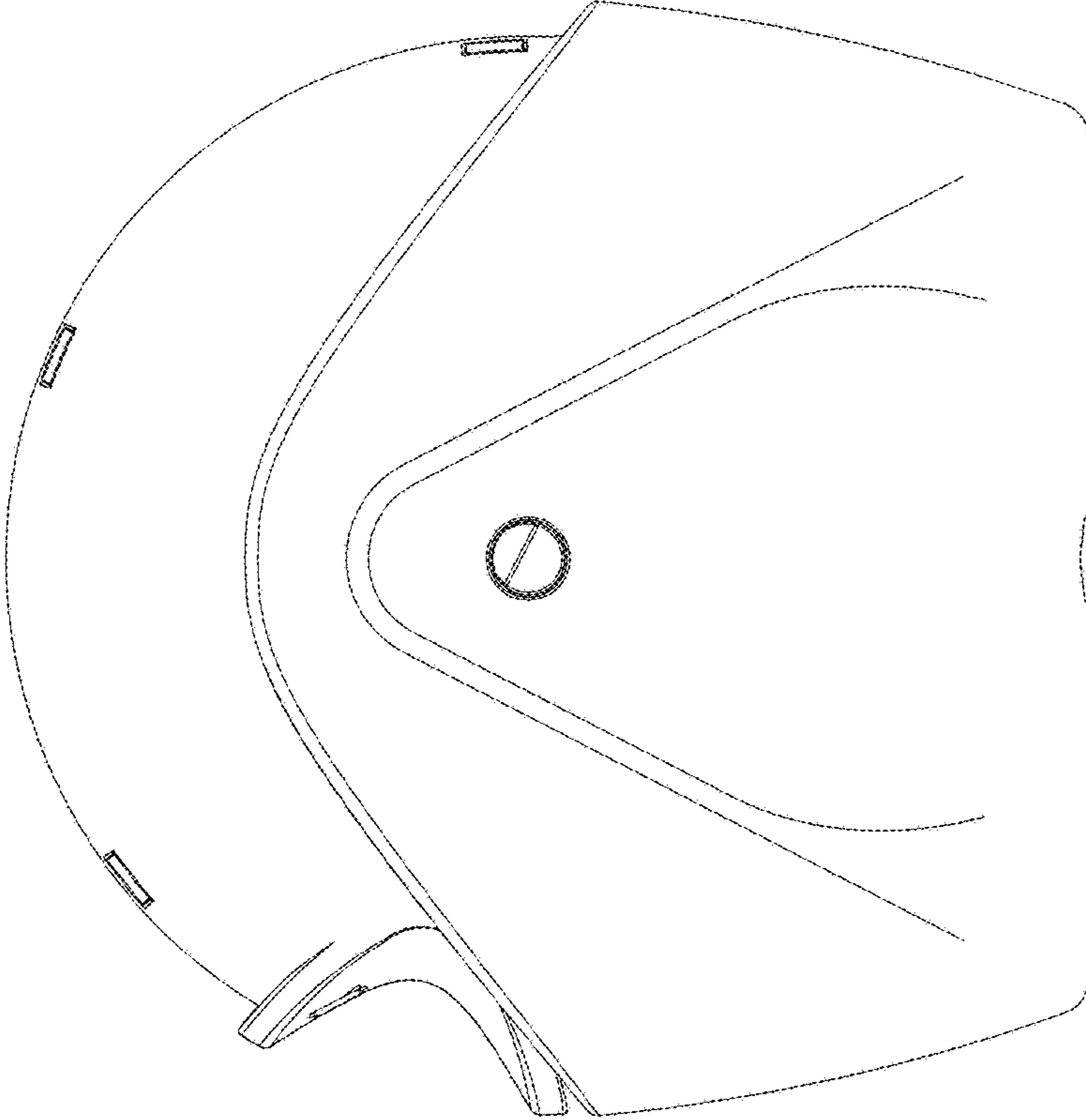


FIG. 3

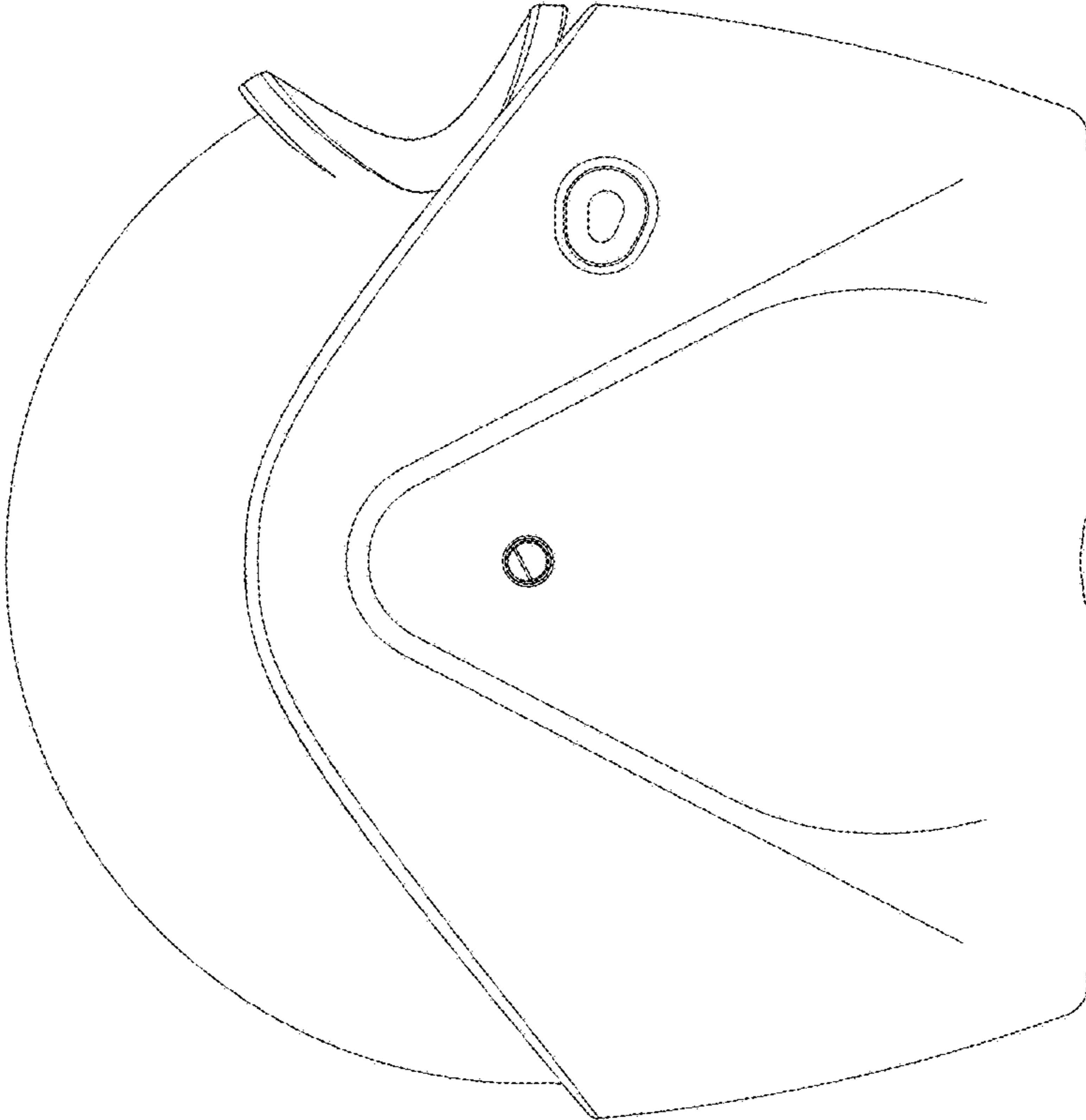


FIG. 6

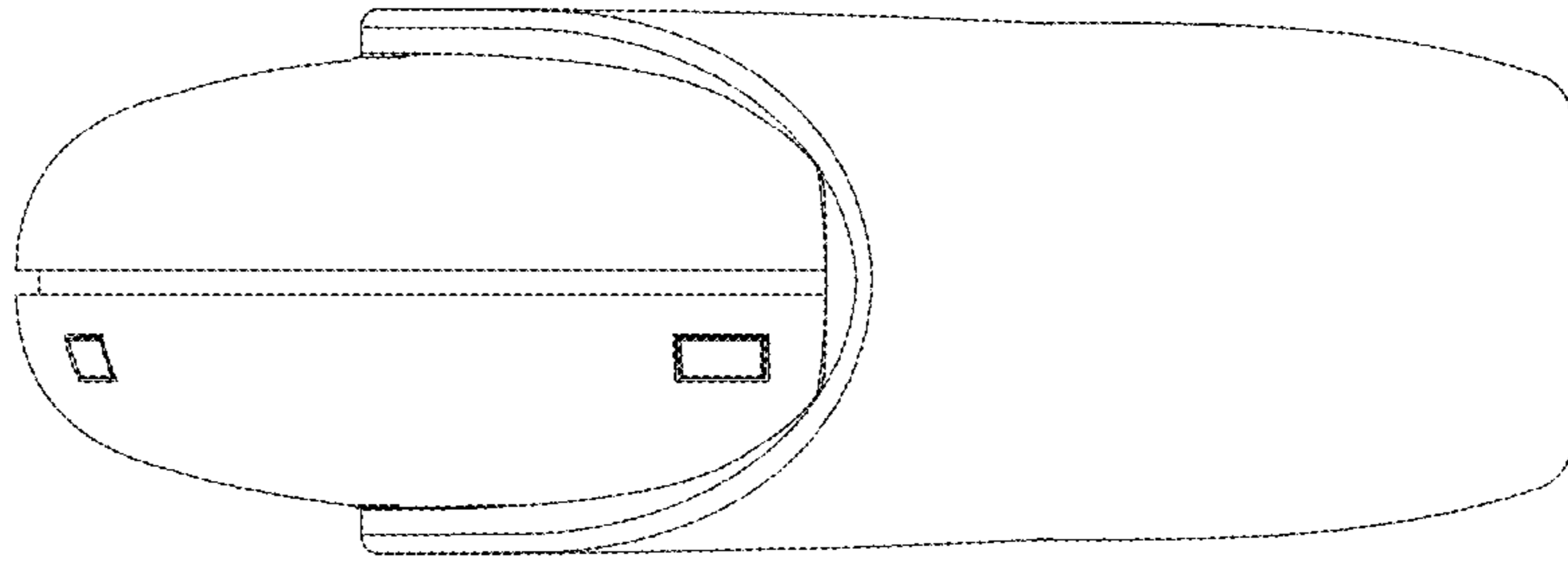


FIG. 5

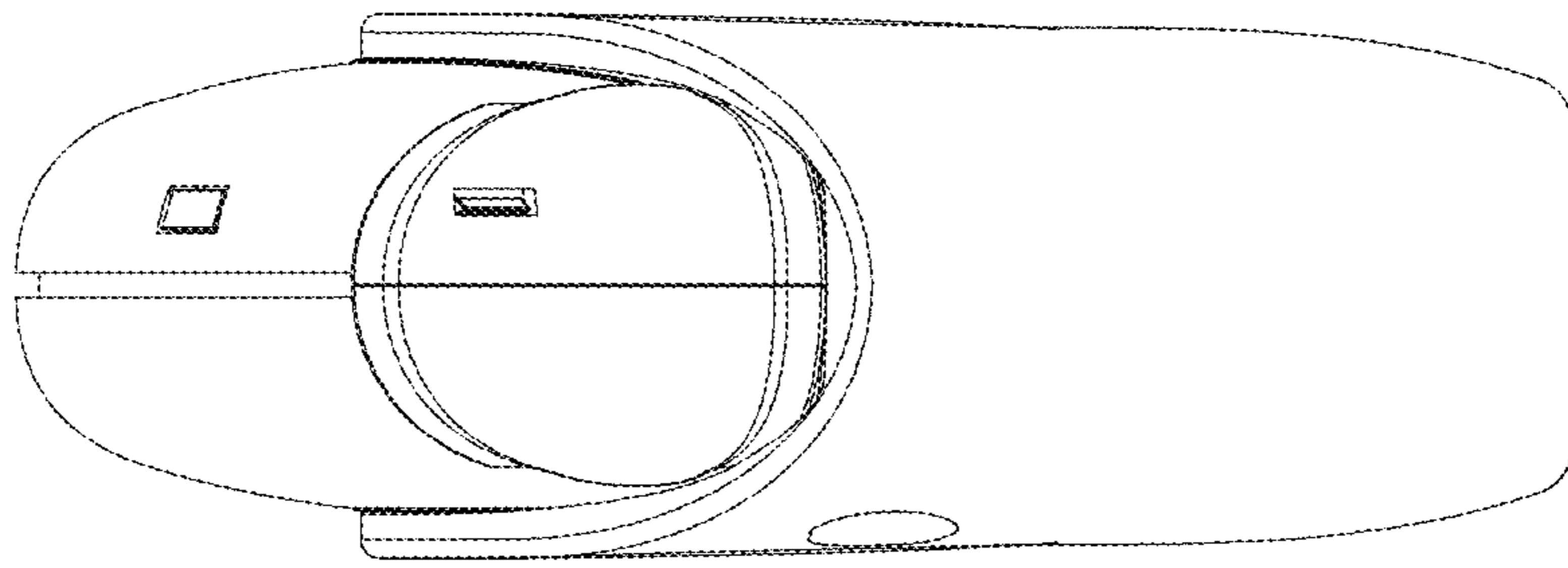


FIG. 7

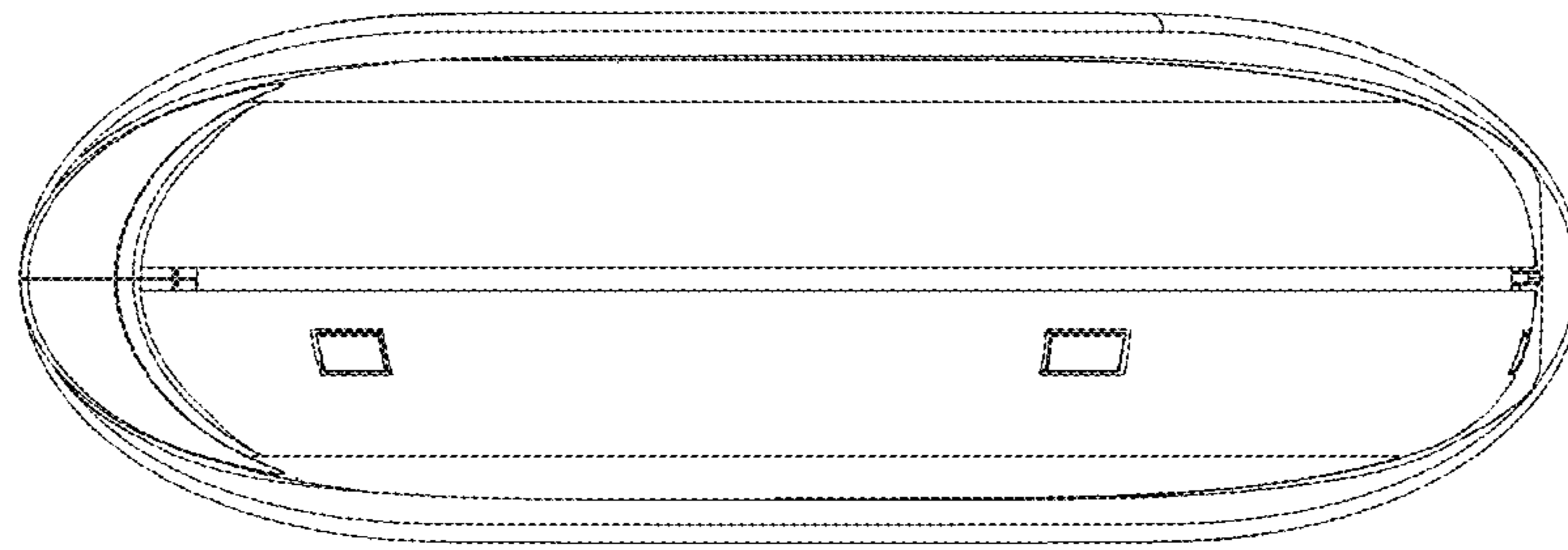


FIG. 8

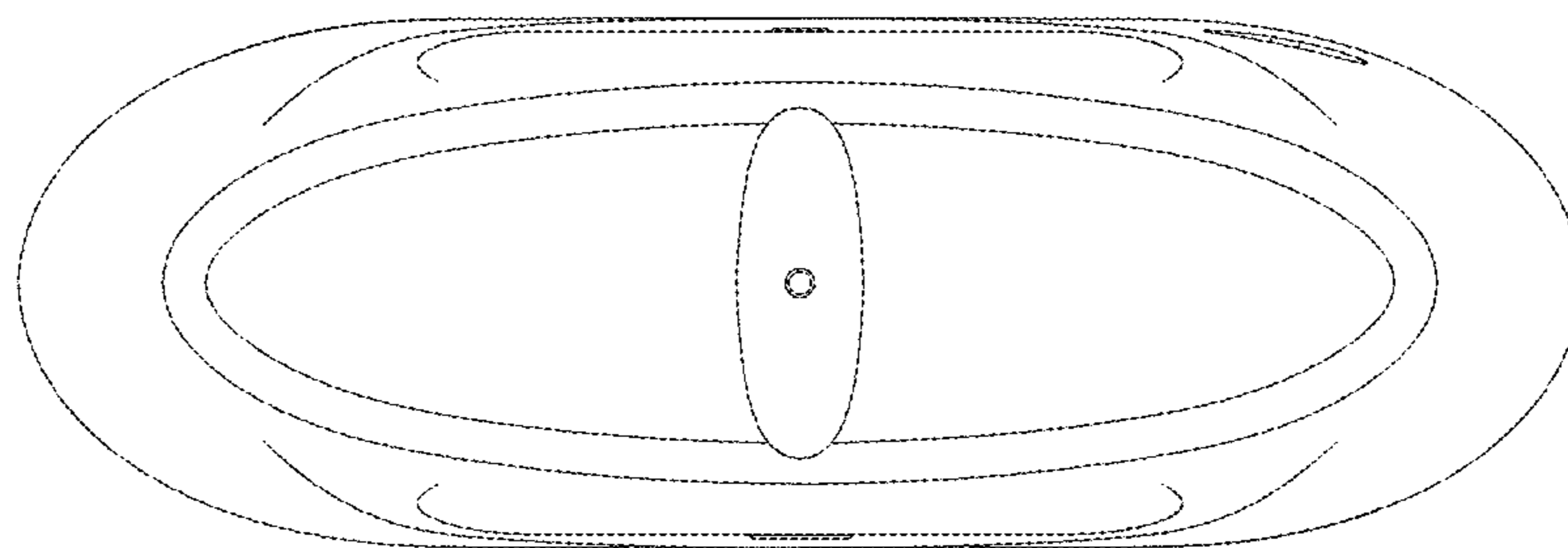


FIG. 9

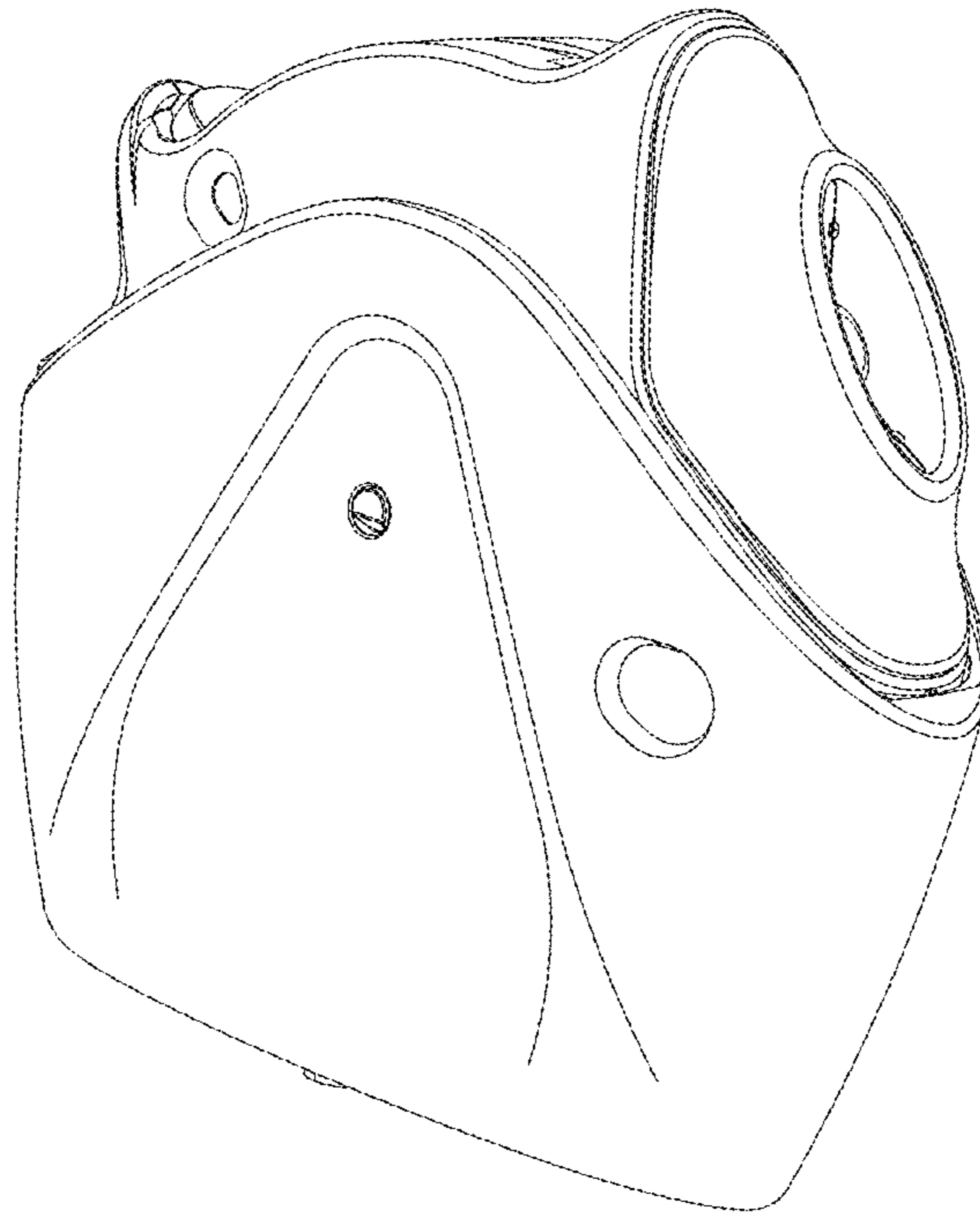


FIG. 10

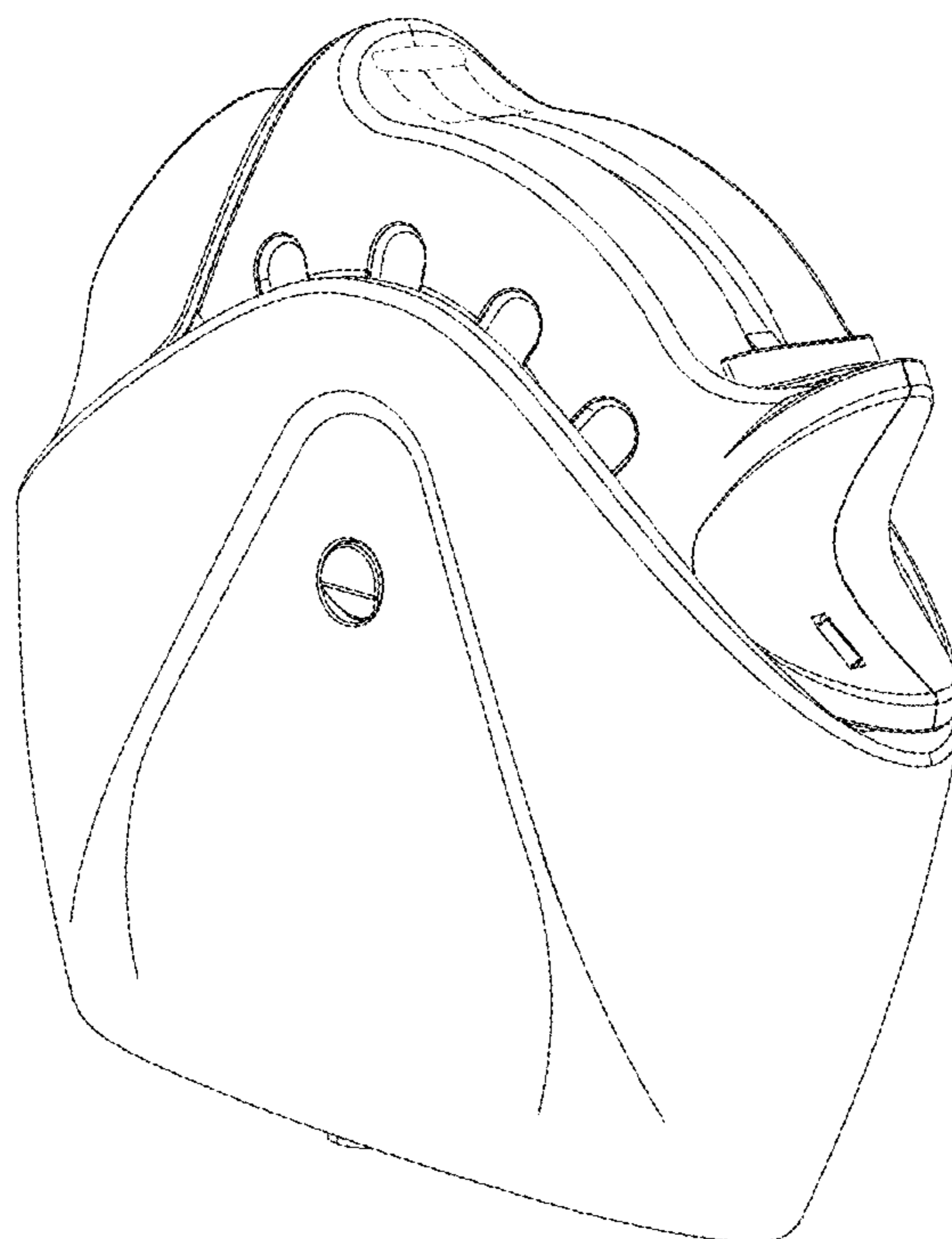


FIG. 12

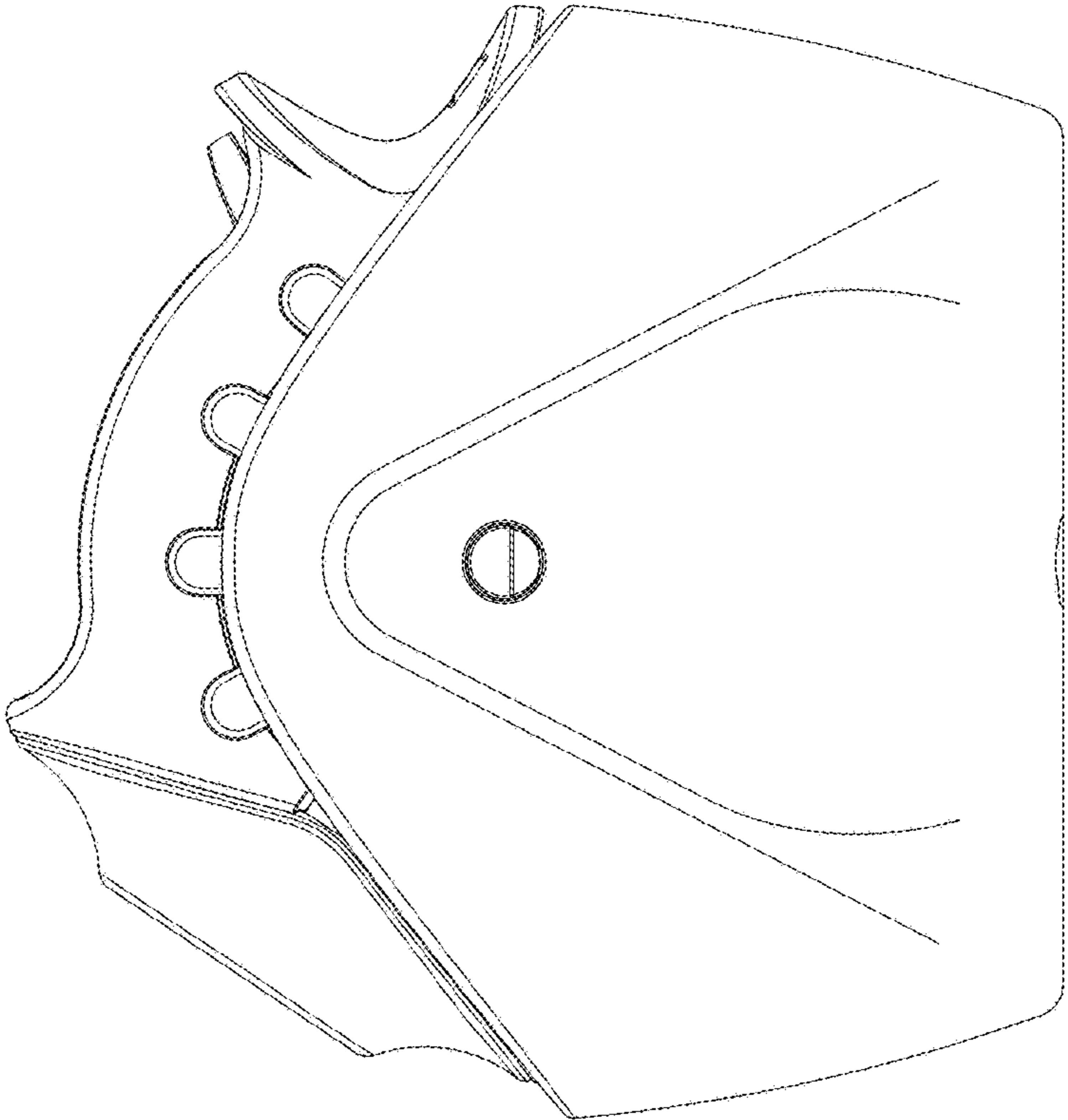
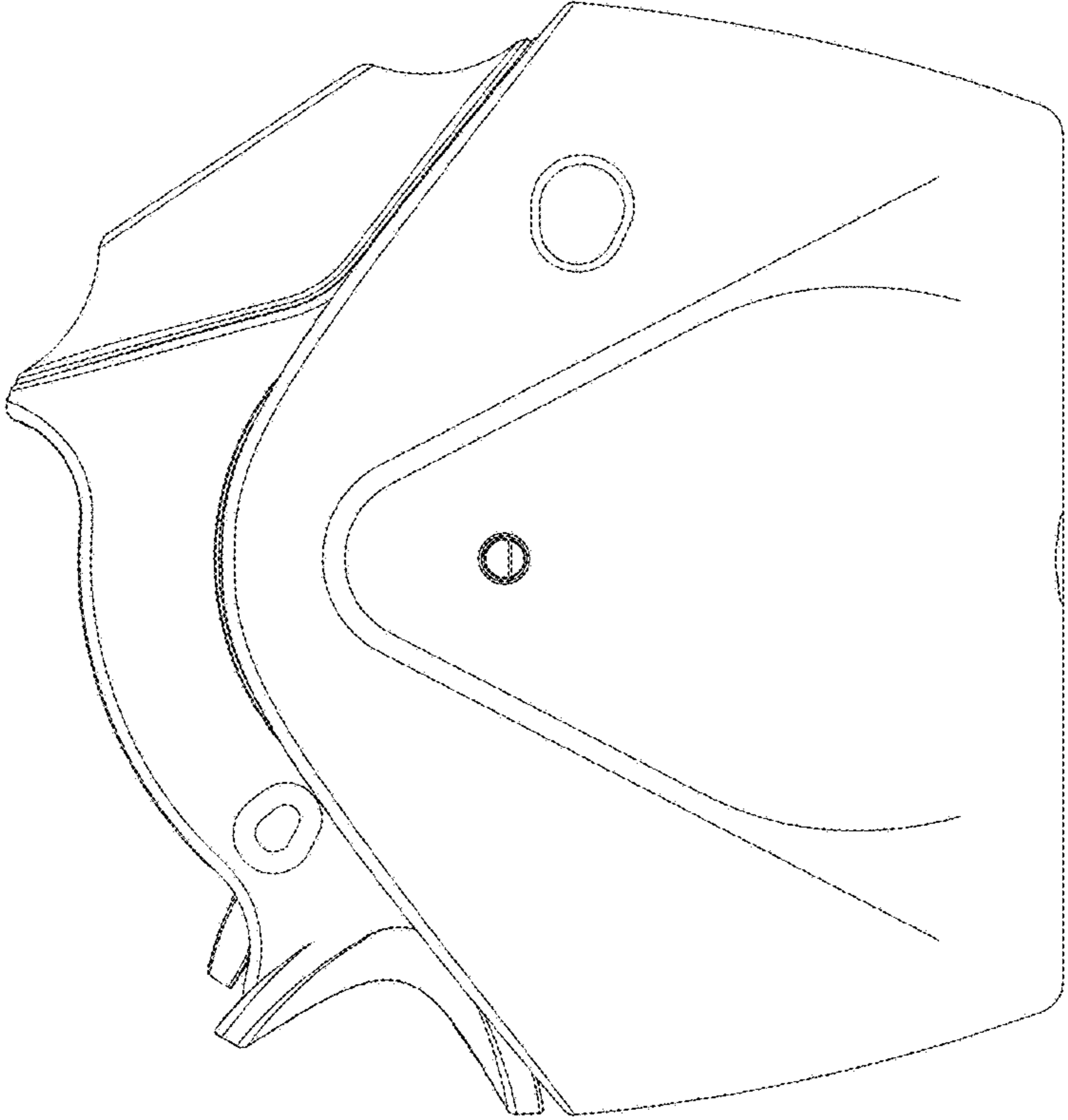


FIG. 11



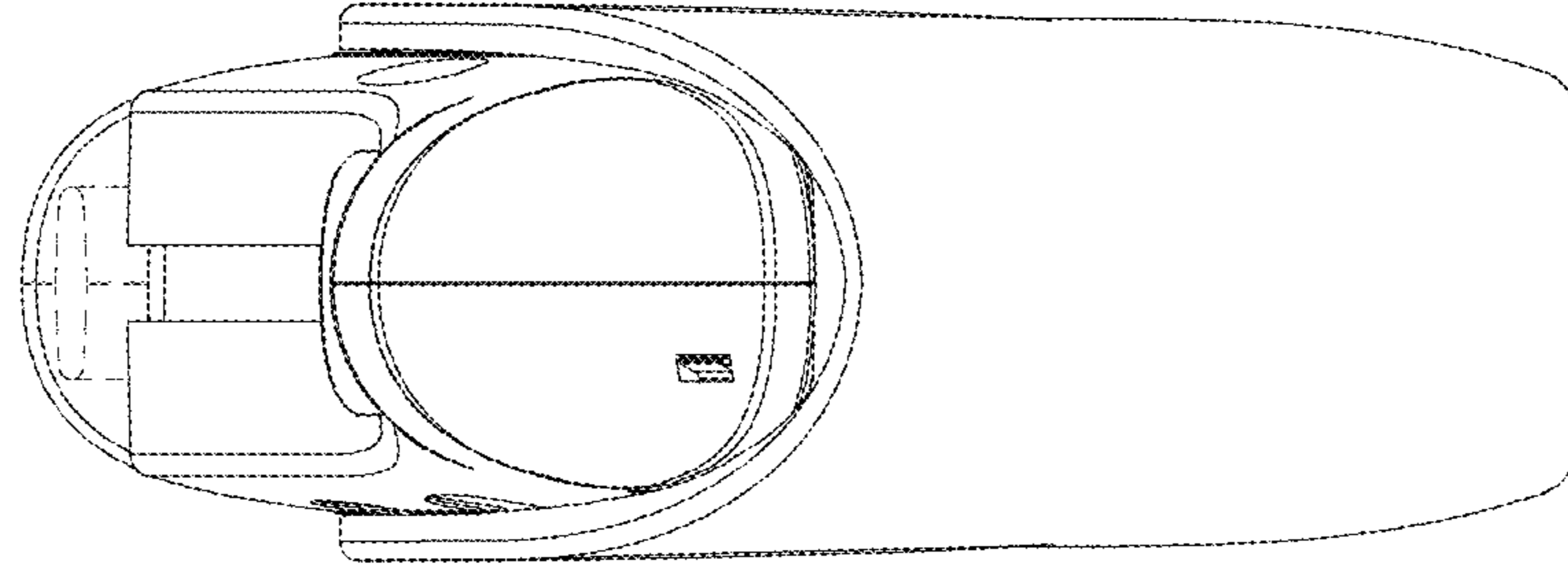


FIG. 14

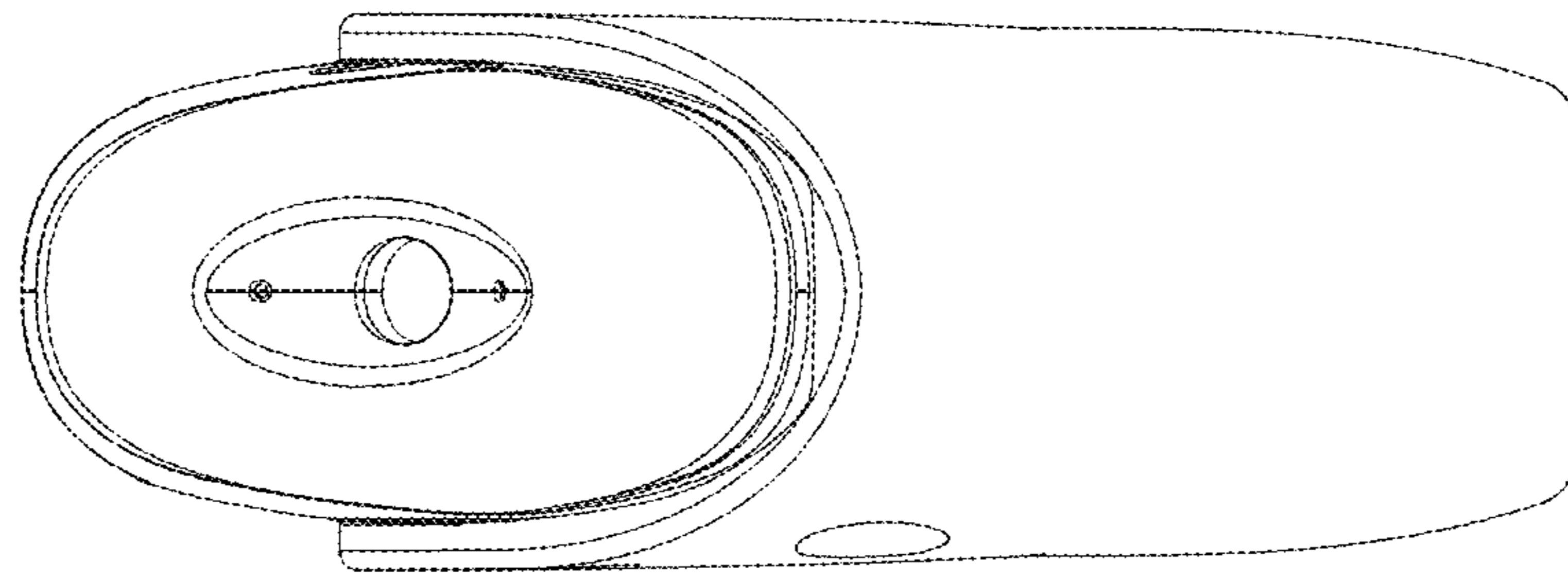


FIG. 13

FIG. 15

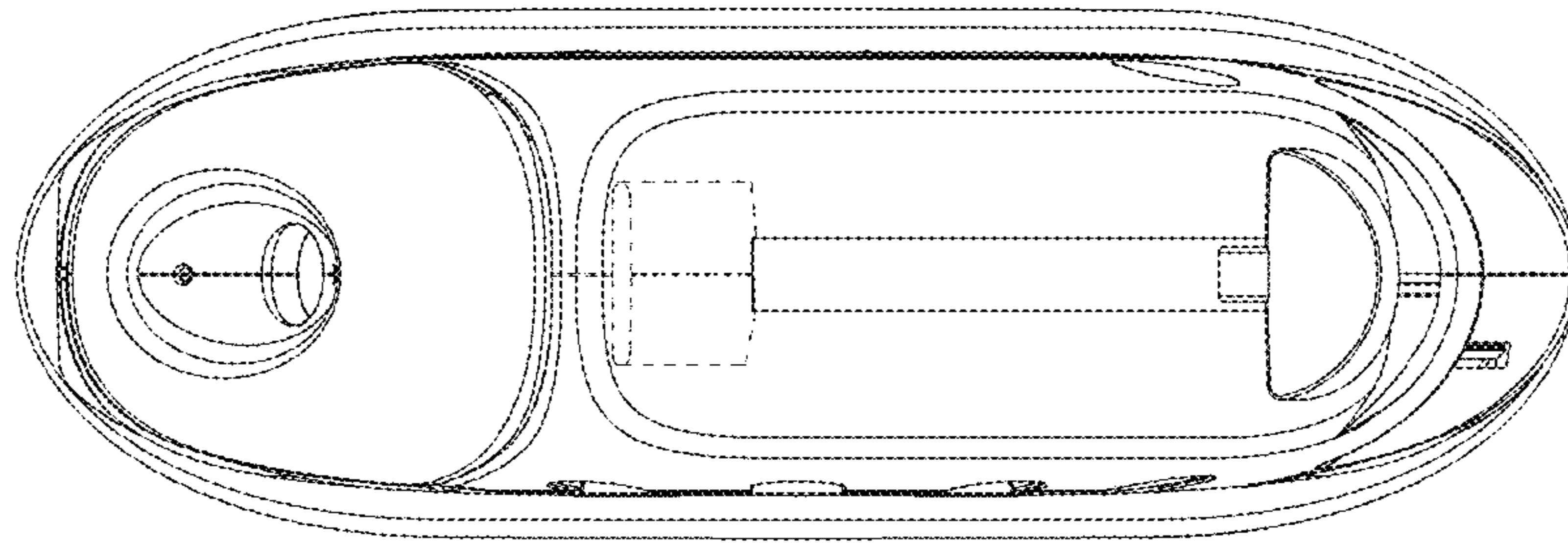


FIG. 16

