



US00D863525S

(12) **United States Design Patent**
Lee

(10) **Patent No.:** **US D863,525 S**
(45) **Date of Patent:** **** Oct. 15, 2019**

(54) **AROMA DIFFUSER**

(71) Applicant: **Bloomy Lotus Ltd**, Hong Kong (HK)

(72) Inventor: **Leander Lee**, Hong Kong (HK)

(73) Assignee: **Bloomy Lotus Ltd**, Hong Kong (HK)

(**) Term: **15 Years**

(21) Appl. No.: **29/654,250**

(22) Filed: **Jun. 21, 2018**

(30) **Foreign Application Priority Data**

Jan. 23, 2018 (HK) 1800139.4M001

(51) **LOC (12) Cl.** **23-04**

(52) **U.S. Cl.**
USPC **D23/366**

(58) **Field of Classification Search**
USPC D23/208, 355-369; D14/209.1, 212-213;
D11/144
CPC A61L 9/02; A61L 9/03; A61L 9/12; A61L
9/035; A61L 9/125
See application file for complete search history.

(56) **References Cited**

U.S. PATENT DOCUMENTS

D277,853 S * 3/1985 Thomas D14/212
D334,750 S * 4/1993 Negishi D14/213
D449,877 S * 10/2001 Delmenico D23/356

D509,893 S * 9/2005 Sevy D23/366
D513,479 S * 1/2006 Behrens D11/144
D537,073 S * 2/2007 Peersman D14/213
D557,681 S * 12/2007 Silva D14/188
D581,035 S * 11/2008 Conway D23/366
D620,575 S * 7/2010 Jorgensen D23/366
D635,653 S * 4/2011 Conway D11/152
D700,591 S * 3/2014 Xiao D14/216
D803,376 S * 11/2017 Gobber D23/366
D806,843 S * 1/2018 McDonnell D23/355

* cited by examiner

Primary Examiner — Sheryl Lane
Assistant Examiner — Calvin E Vansant

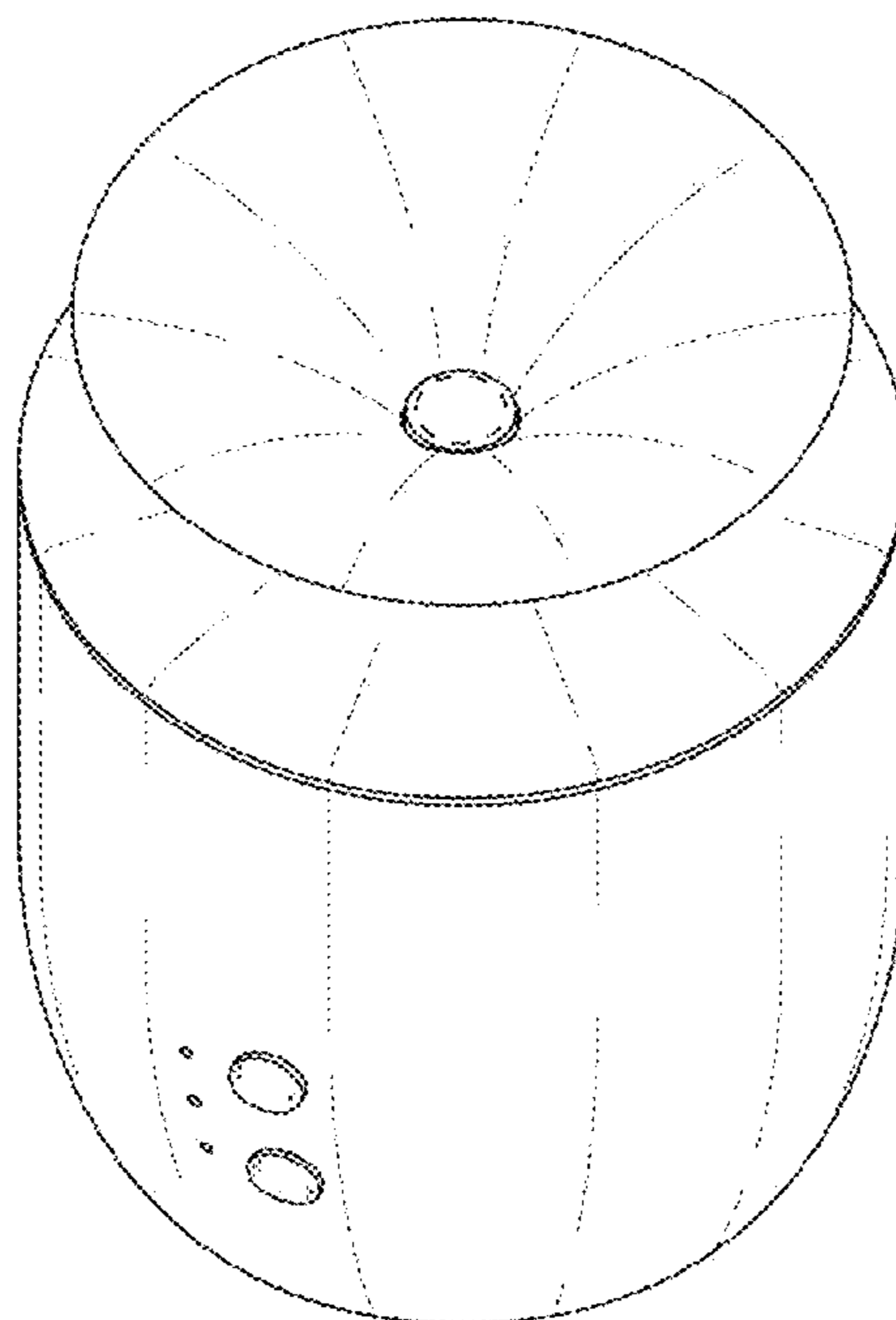
(57) **CLAIM**

The ornamental design for an aroma diffuser, as shown and described.

DESCRIPTION

FIG. 1 is a front elevational view of an aroma diffuser showing my new design;
FIG. 2 is a rear elevational view thereof;
FIG. 3 is a left side view thereof;
FIG. 4 is a right side view thereof;
FIG. 5 is a top plan view thereof;
FIG. 6 is a bottom plan view thereof;
FIG. 7 is a top perspective view thereof; and,
FIG. 8 is a bottom perspective view thereof.
The broken lines in the drawings illustrate portions of the aroma diffuser which form no part of the claimed design.

1 Claim, 8 Drawing Sheets



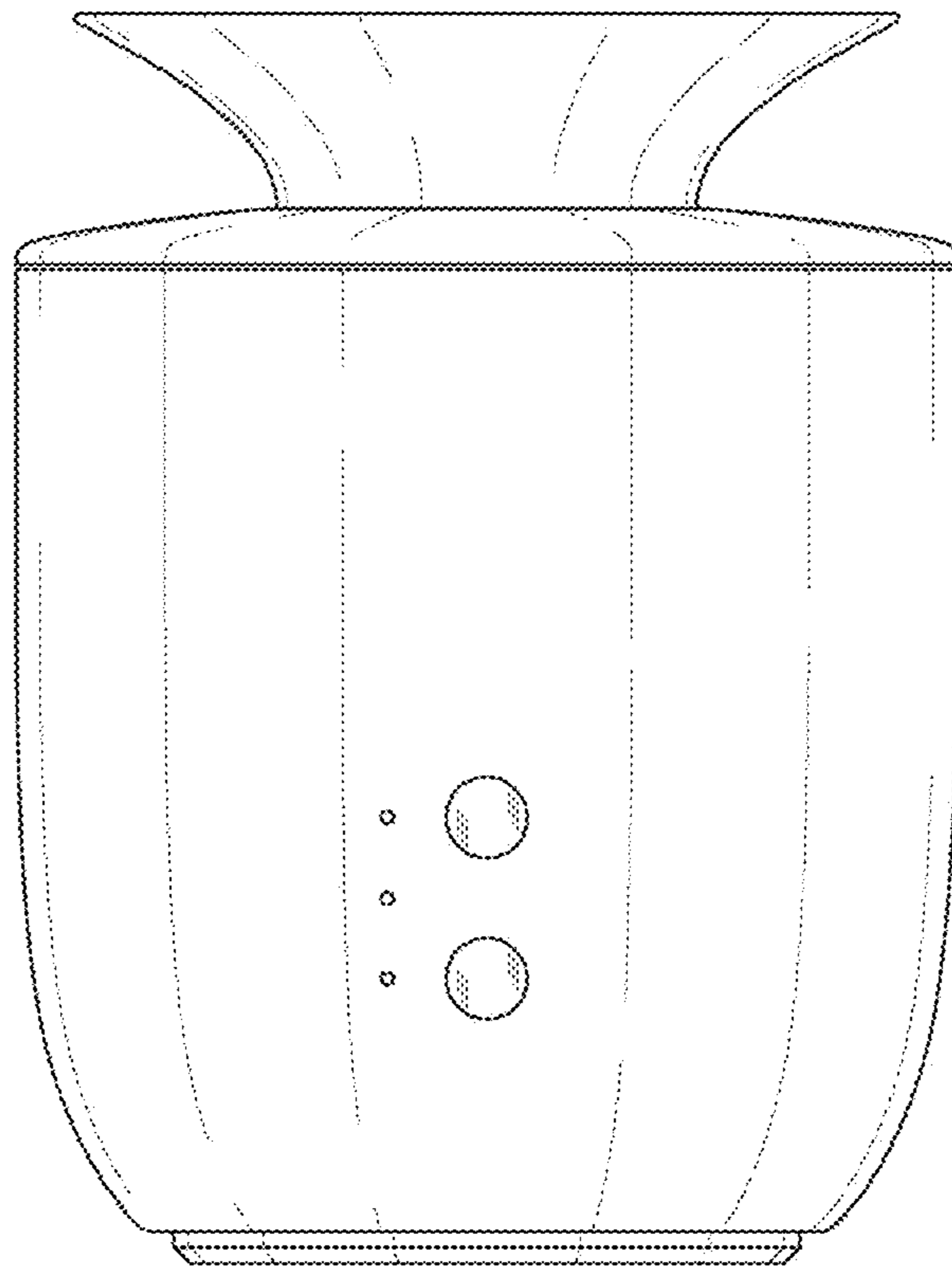


Fig. 1

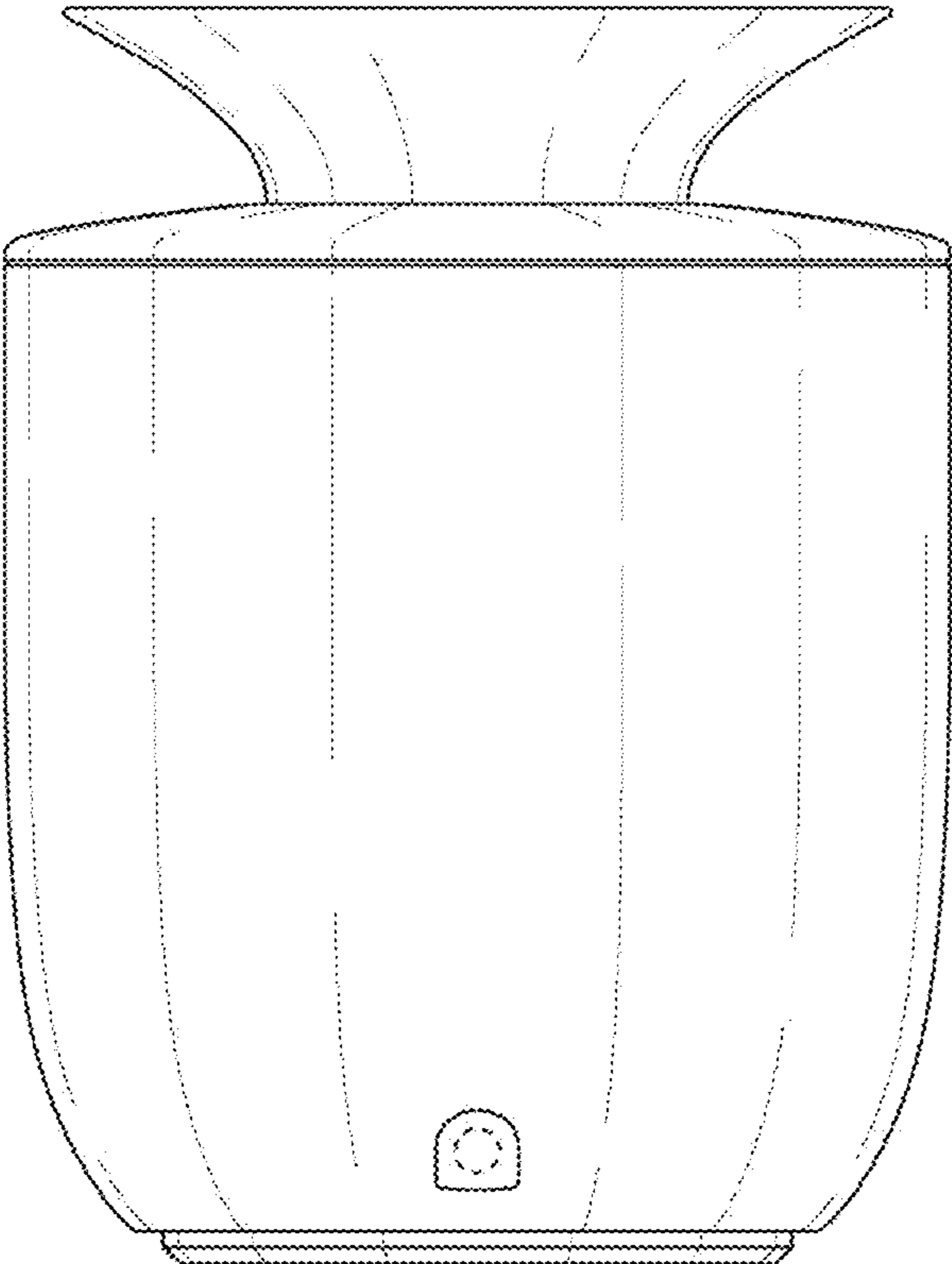


Fig. 2

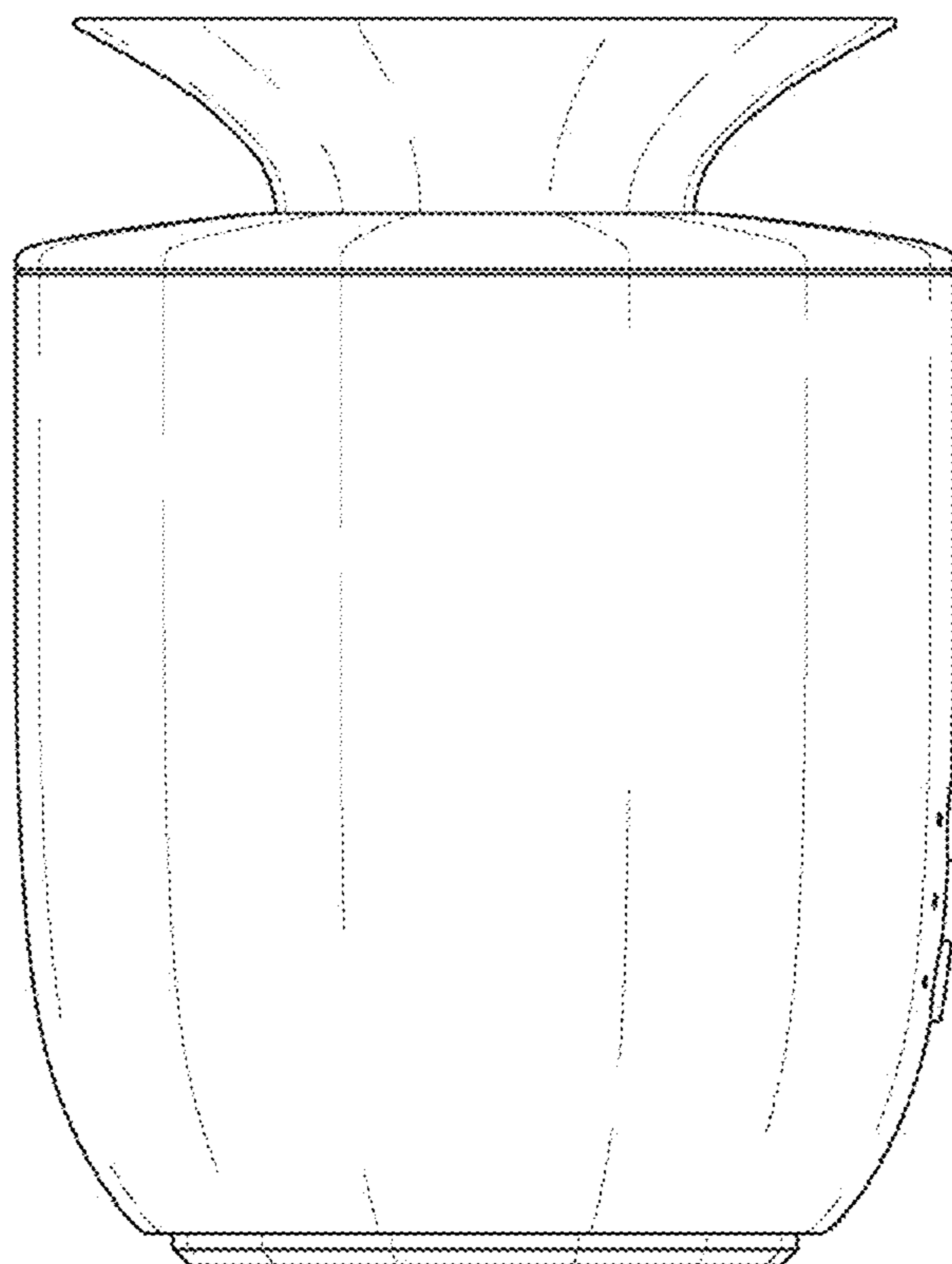


Fig. 3

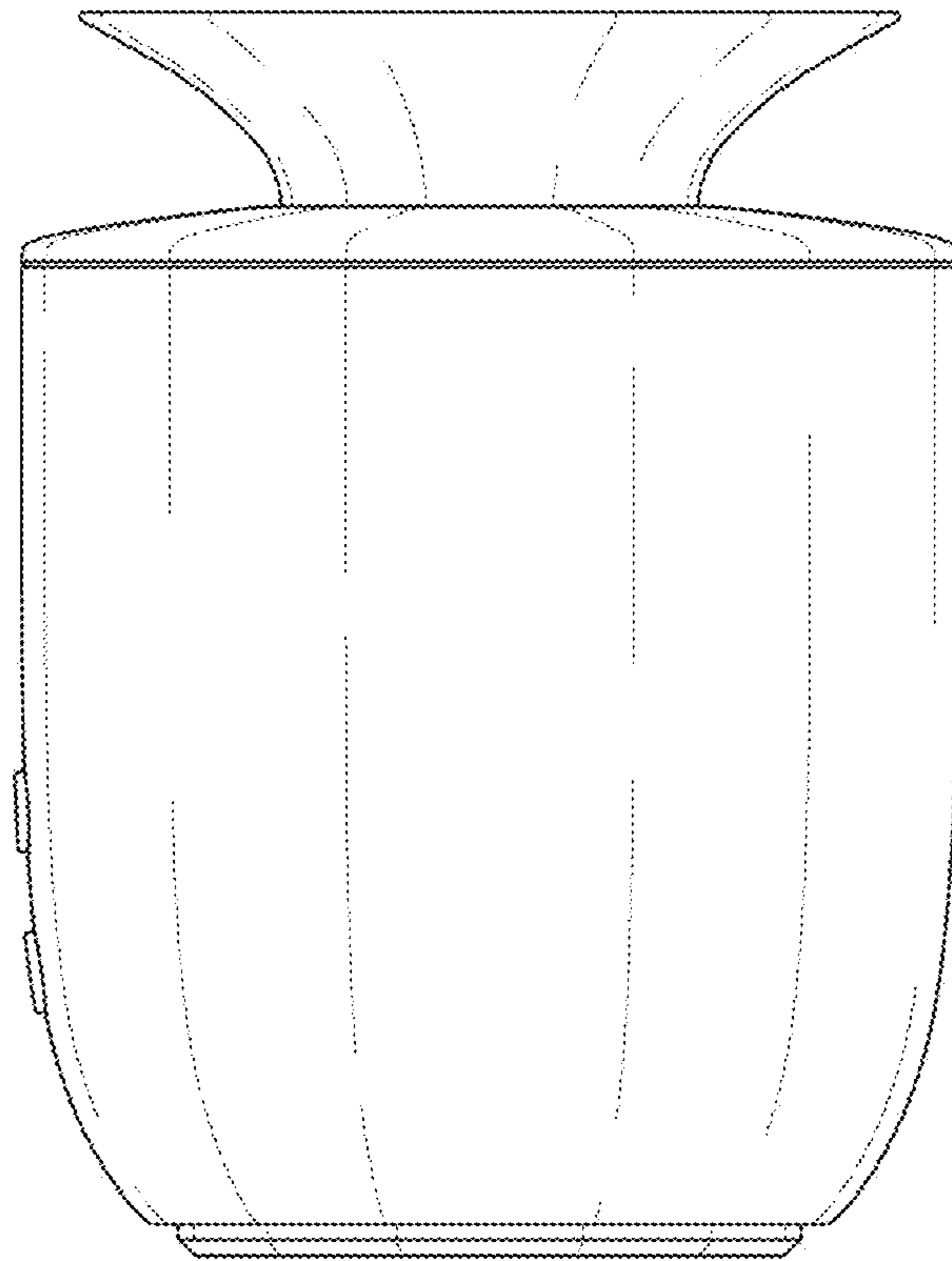


Fig. 4

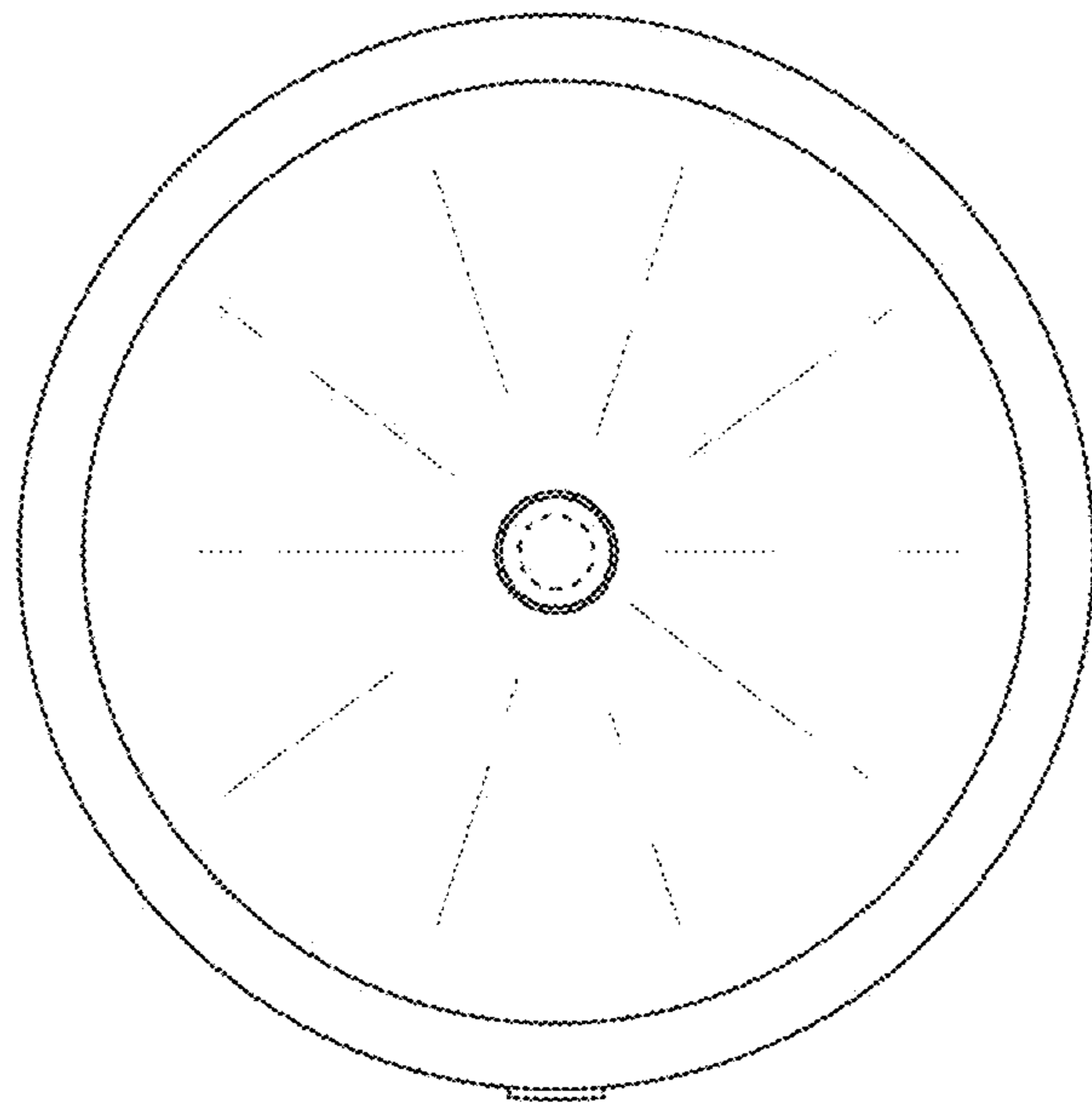


Fig. 5

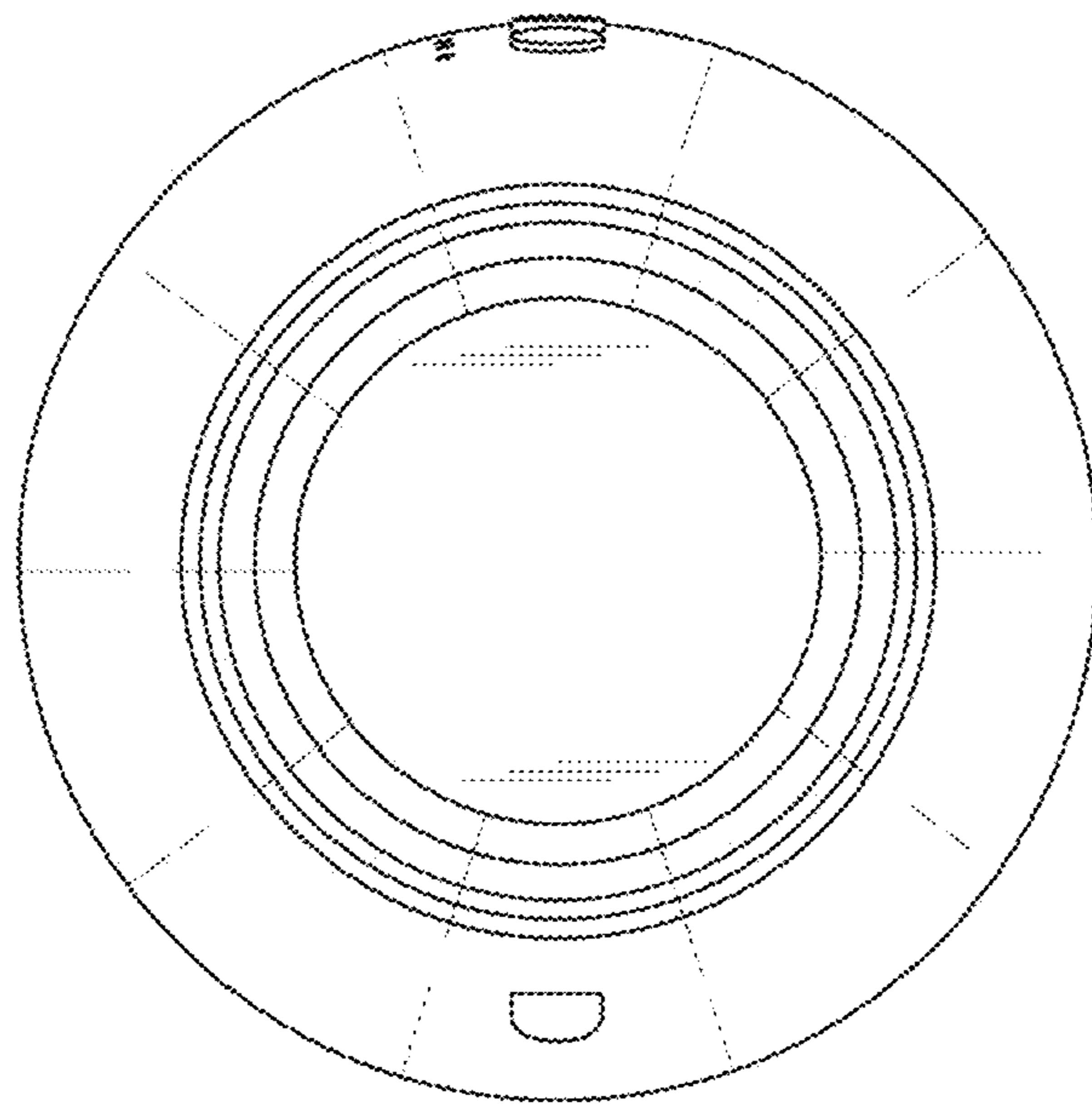


Fig. 6

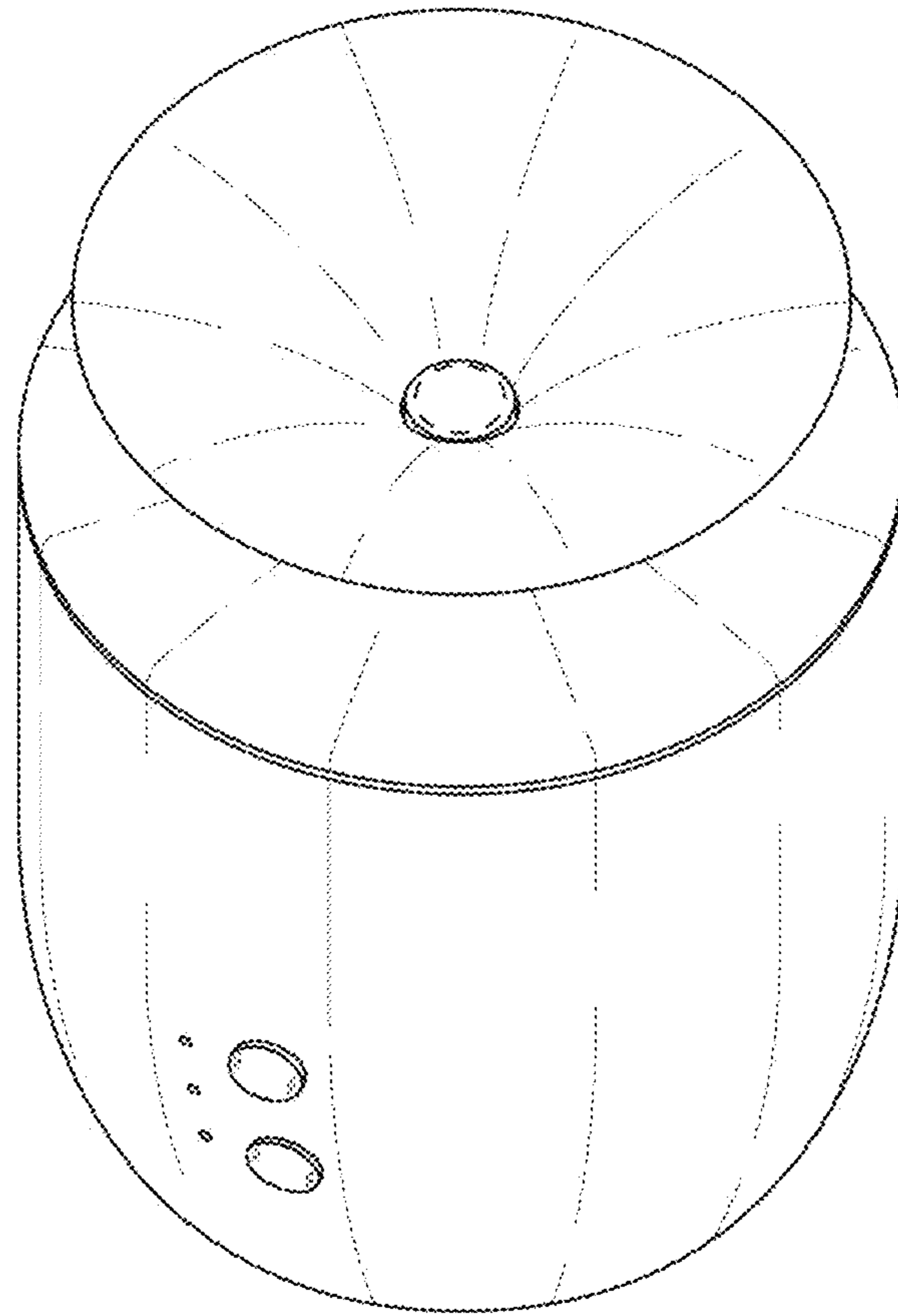


Fig. 7

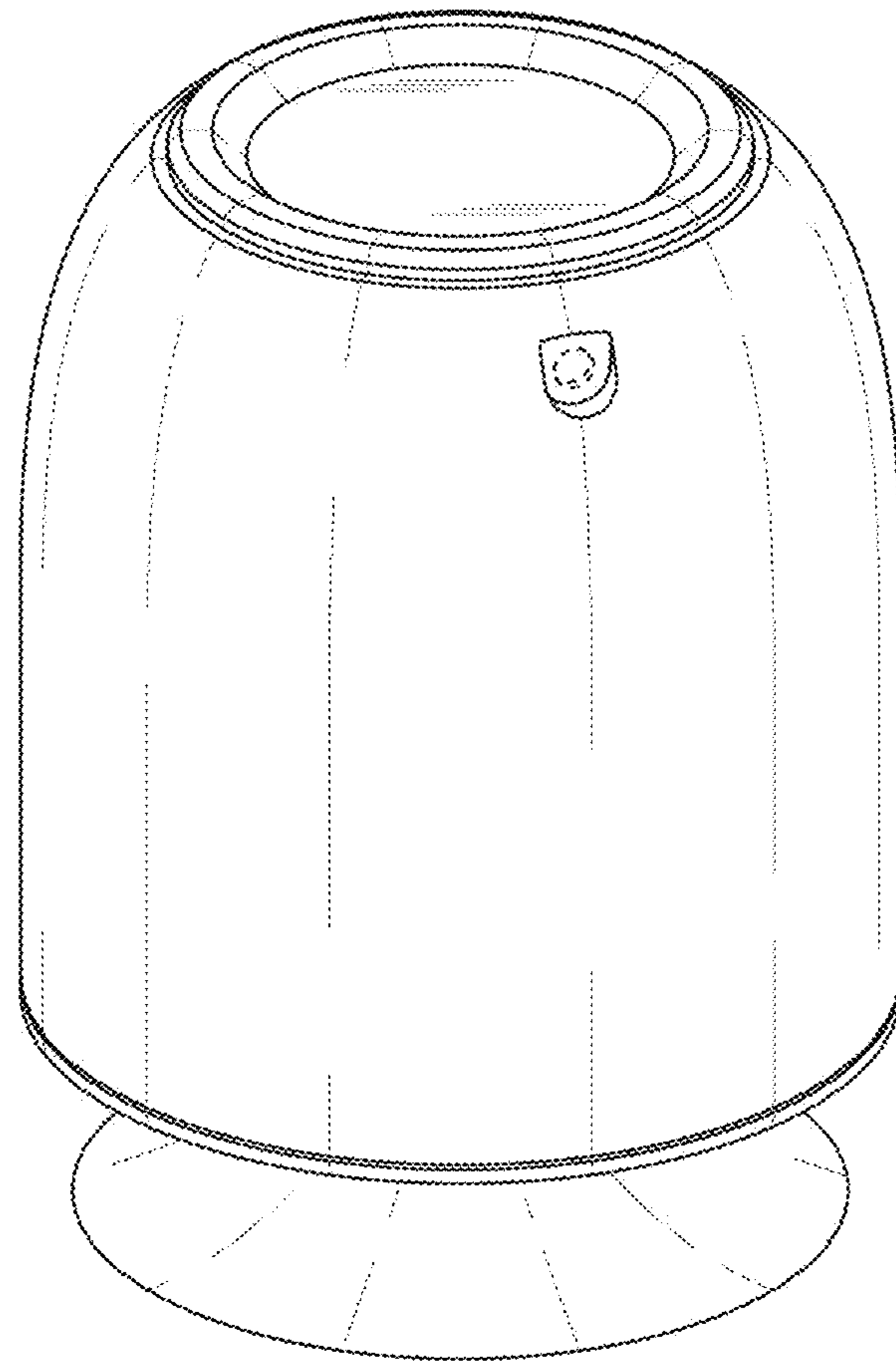


Fig. 8