



US00D863522S

(12) **United States Design Patent** (10) **Patent No.:** **US D863,522 S**
Hirsch et al. (45) **Date of Patent:** **** Oct. 15, 2019**

(54) **CHILLED BEAM**

(56) **References Cited**

- (71) Applicant: **Air Distribution Technologies IP, LLC**, Milwaukee, WI (US)
- (72) Inventors: **Joachim Hirsch**, Colleyville, TX (US); **Honghui Zhang**, Richardson, TX (US); **Ernest Freeman**, Dallas, TX (US); **Keith Glasch**, Plano, TX (US); **Blake Robert Gallagher**, Seattle, WA (US); **Paul Sheppard Woolford**, San Francisco, CA (US); **Thomas Adam Kaczowski**, University City, MO (US)
- (73) Assignee: **Air Distribution Technologies IP, LLC**, Milwaukee, WI (US)
- (**) Term: **15 Years**
- (21) Appl. No.: **29/621,397**
- (22) Filed: **Oct. 6, 2017**

U.S. PATENT DOCUMENTS

D327,736 S *	7/1992	Shimano	D23/351
D329,691 S *	9/1992	Soderberg	D23/330
D426,626 S *	6/2000	Nonaka	D23/351
D430,661 S *	9/2000	Doczy	D23/351
D448,072 S *	9/2001	Wakasa	D23/351
D449,095 S *	10/2001	Yanagida	D23/351
D674,964 S *	1/2013	Bailey	D26/118
D679,440 S *	4/2013	Smith	D26/76
D724,249 S *	3/2015	Maxik	D26/76
D736,366 S *	8/2015	Picco	D23/386
D761,477 S *	7/2016	Guercio	D26/76
D772,386 S *	11/2016	Kim	D23/351
D787,656 S *	5/2017	Yoo	D23/351
D799,655 S *	10/2017	Hirsch	D23/351

(Continued)

Primary Examiner — Natasha Vujcic
(74) *Attorney, Agent, or Firm* — Fletcher Yoder P.C.

(57) **CLAIM**

The ornamental design for a chilled beam, as shown and described.

DESCRIPTION

FIG. 1 is an isometric view of a first embodiment of a chilled beam;
 FIG. 2 is a side view thereof;
 FIG. 3 is another side view thereof;
 FIG. 4 is an end view thereof;
 FIG. 5 is another end view thereof;
 FIG. 6 is top view thereof;
 FIG. 7 is a bottom view thereof; and,
 FIG. 8 is an isometric view of a second embodiment of the chilled beam.

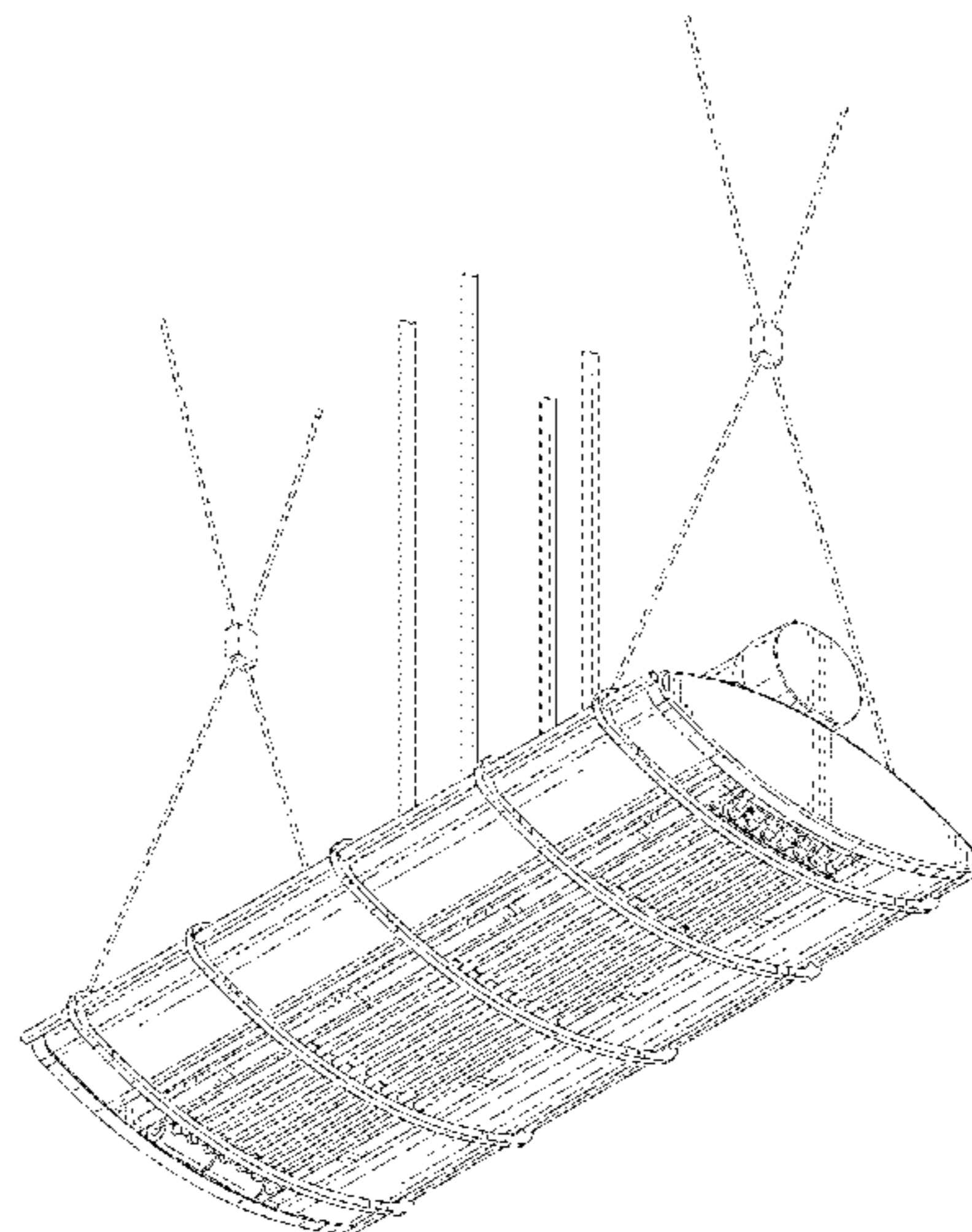
The broken lines in the drawings illustrate the environment of the chilled beam which forms no part of the claimed design.

The break lines indicate that the appearance of any portion of the chilled beam between the break lines forms no part of the claimed design.

Related U.S. Application Data

- (62) Division of application No. 29/524,247, filed on Apr. 17, 2015, now Pat. No. Des. 799,655.
 - (51) **LOC (12) Cl.** **23-04**
 - (52) **U.S. Cl.**
USPC **D23/351**
 - (58) **Field of Classification Search**
USPC D26/72, 74, 76, 78-83; D23/351-354
CPC F21S 2/00; F21S 4/00; F21S 4/003; F21S 4/005; F21S 4/006; F21S 4/007; F21S 4/008; F21S 6/00; F21S 8/00; F21S 8/024; F21S 8/026; F21S 8/031; F21S 8/033; F21S 8/035-037; F21S 8/04; F21S 8/043; F21S 8/063
- See application file for complete search history.

1 Claim, 7 Drawing Sheets



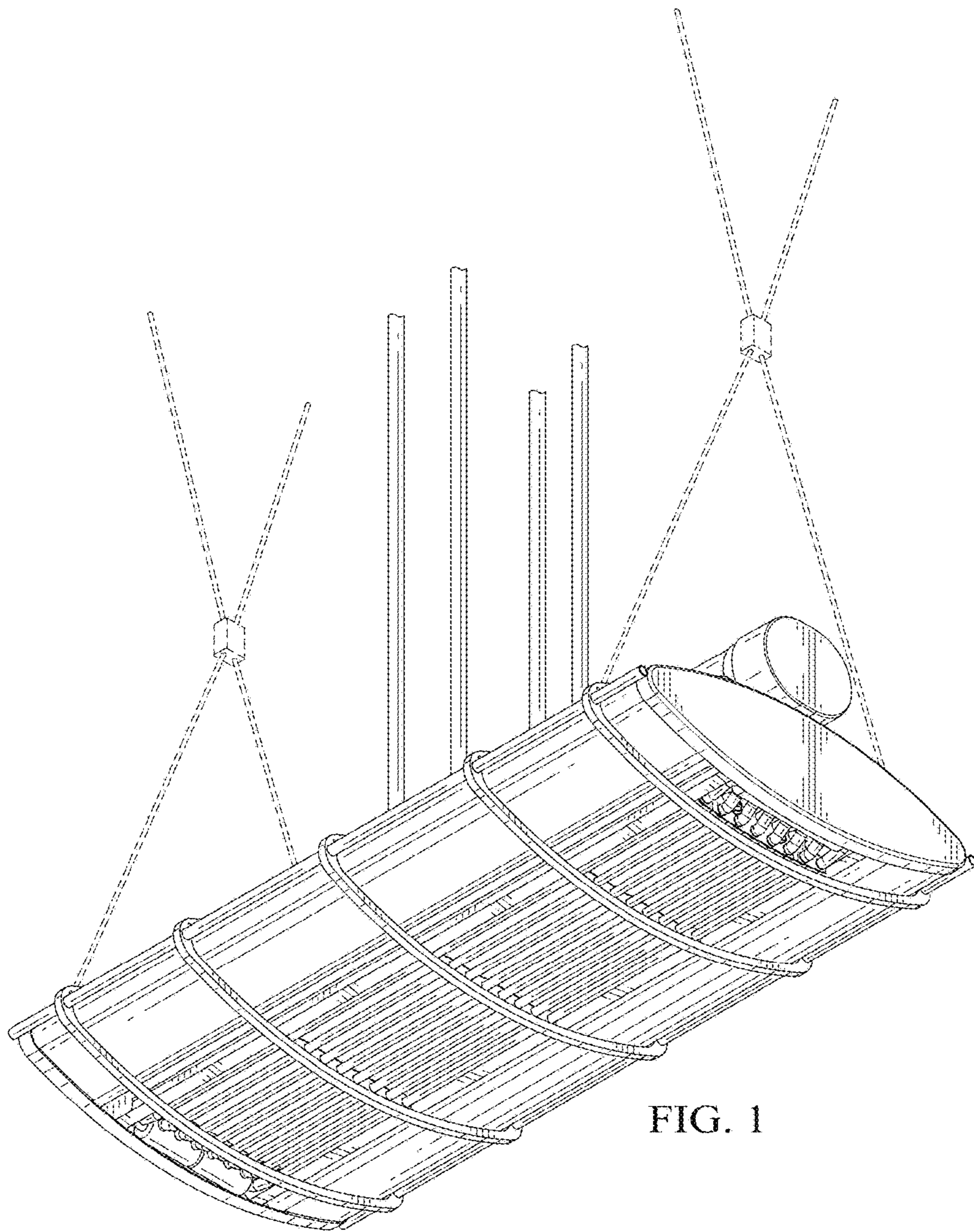
(56)

References Cited

U.S. PATENT DOCUMENTS

D807,495 S * 1/2018 Hirsch D23/393
D819,864 S * 6/2018 Deng D26/76

* cited by examiner



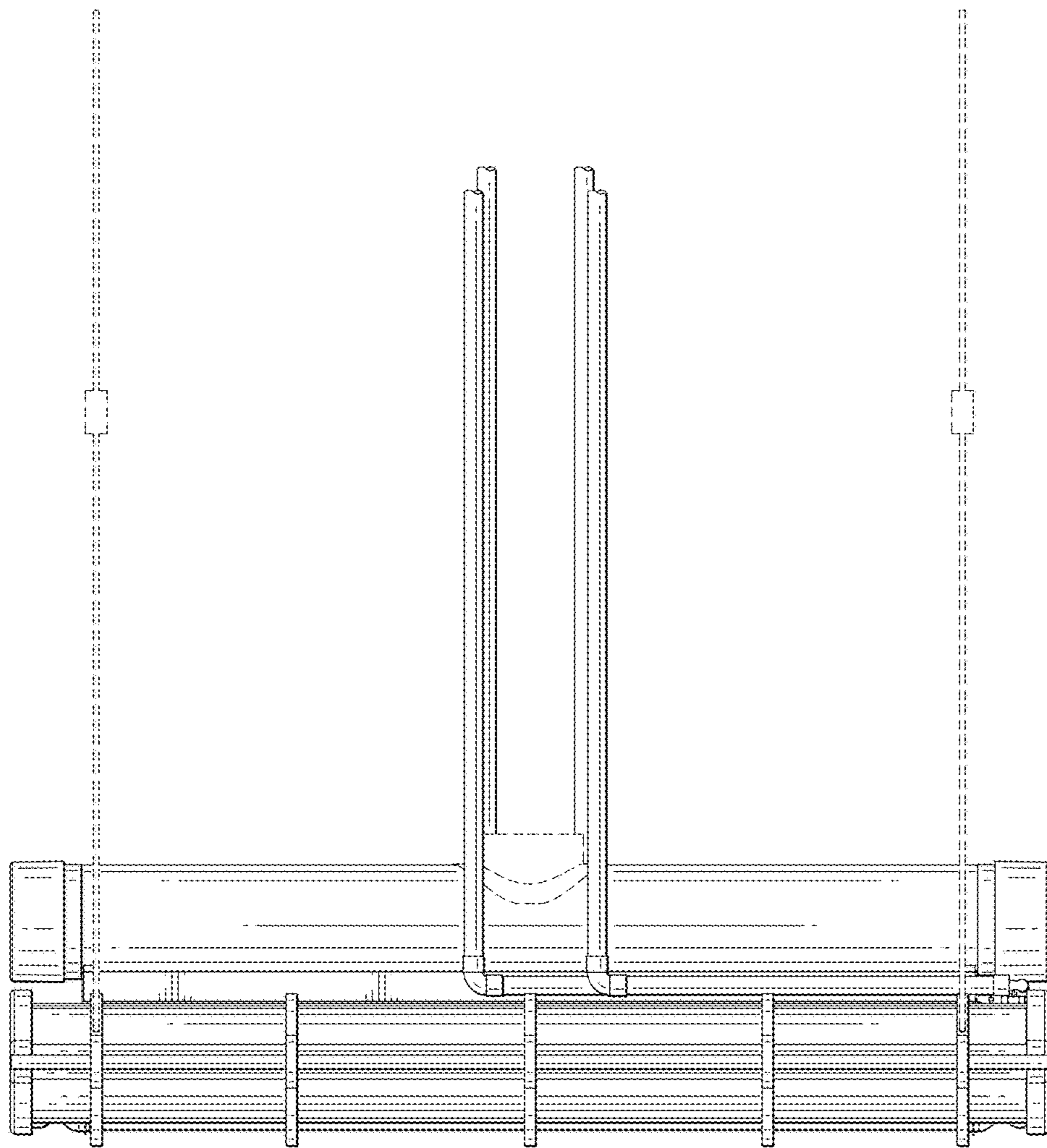


FIG. 2

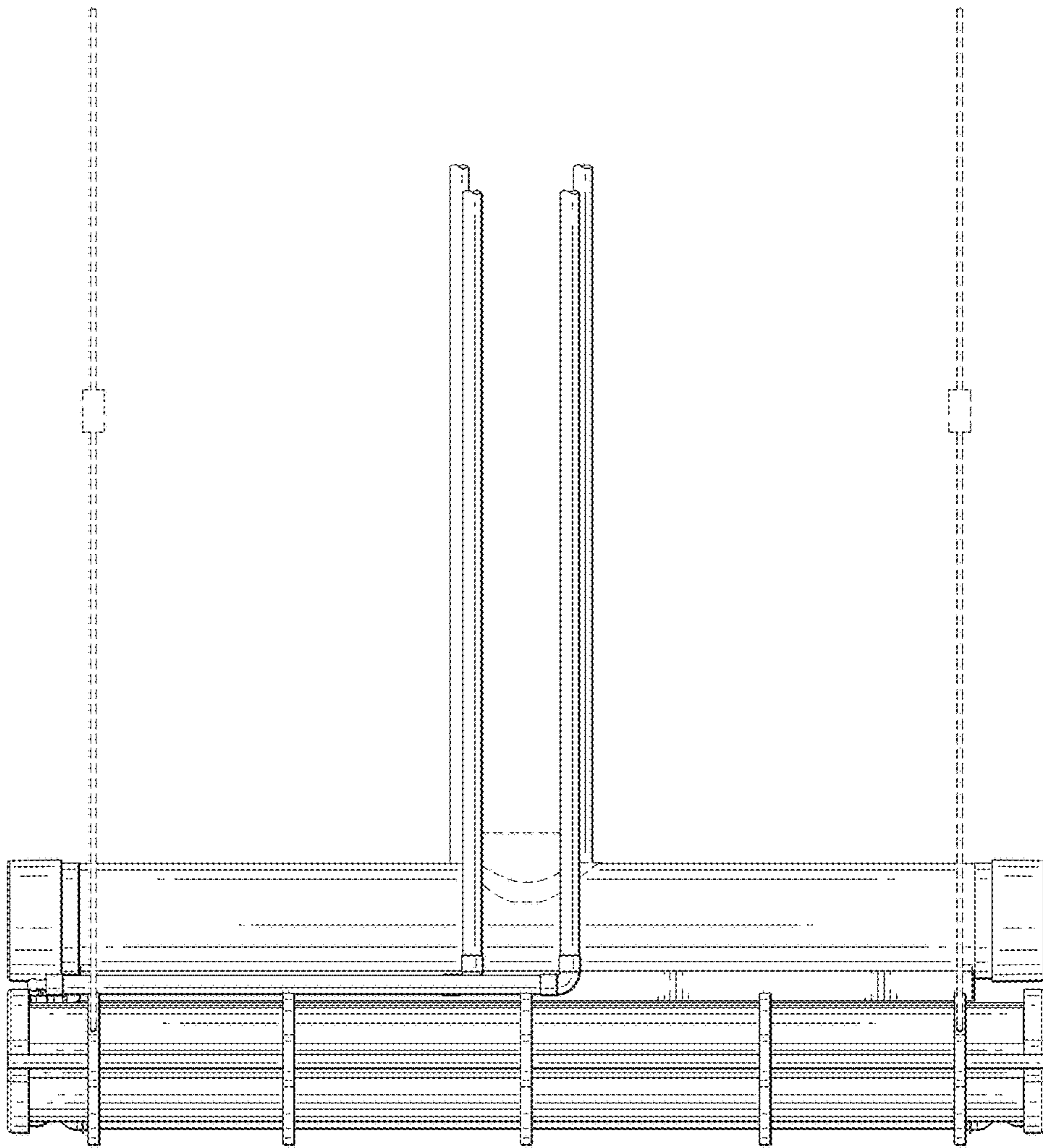


FIG. 3

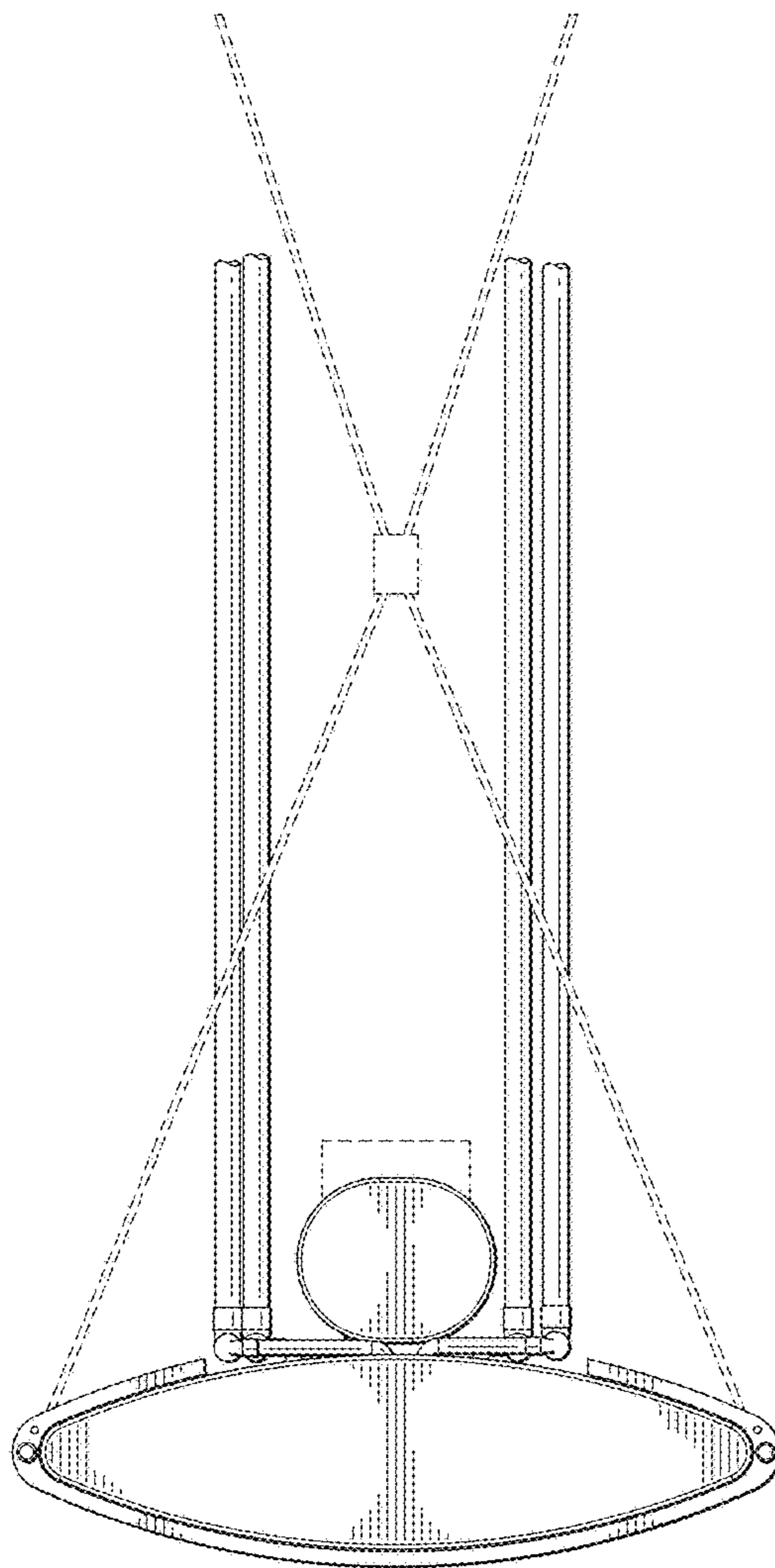


FIG. 4

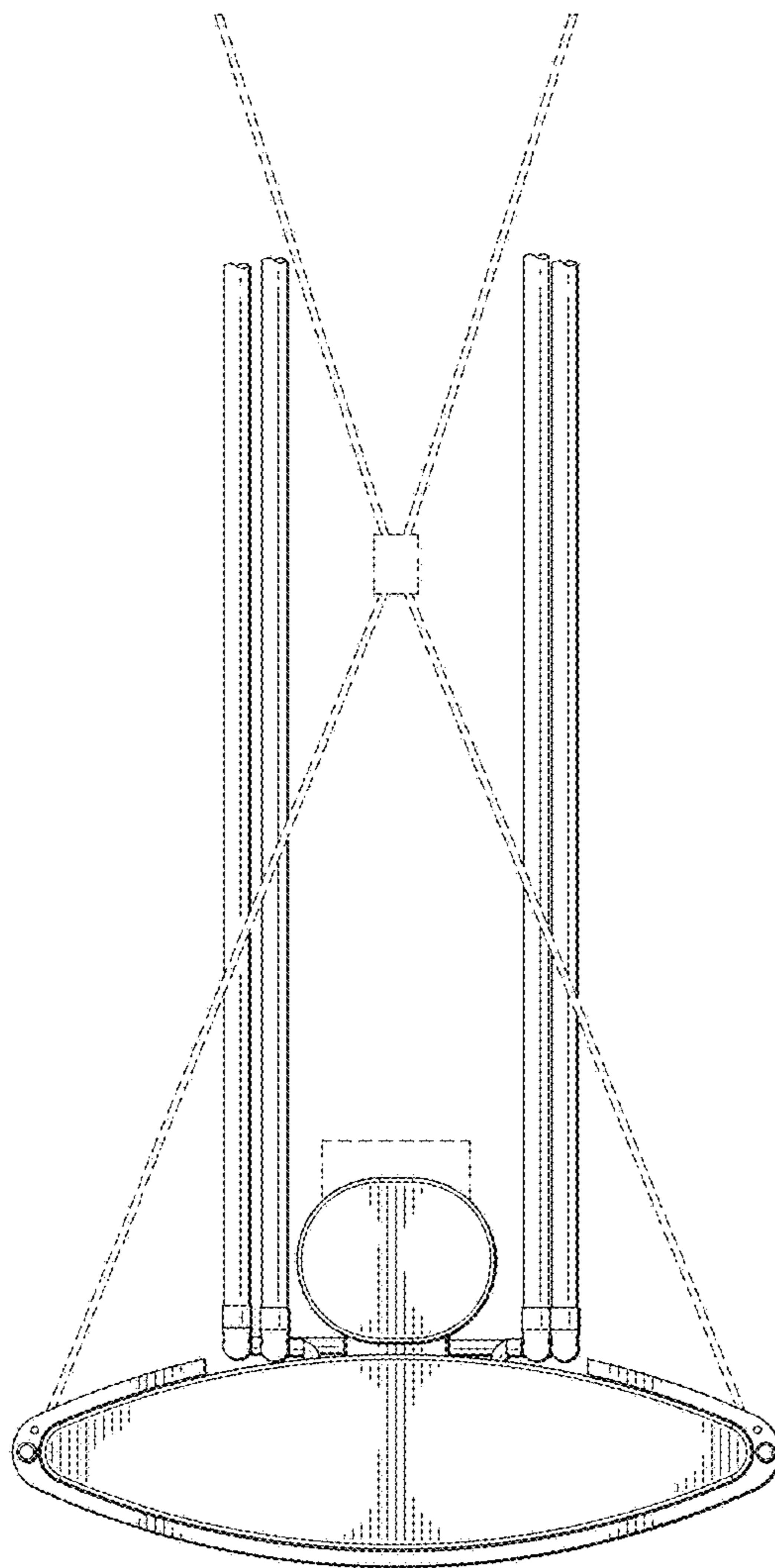


FIG. 5

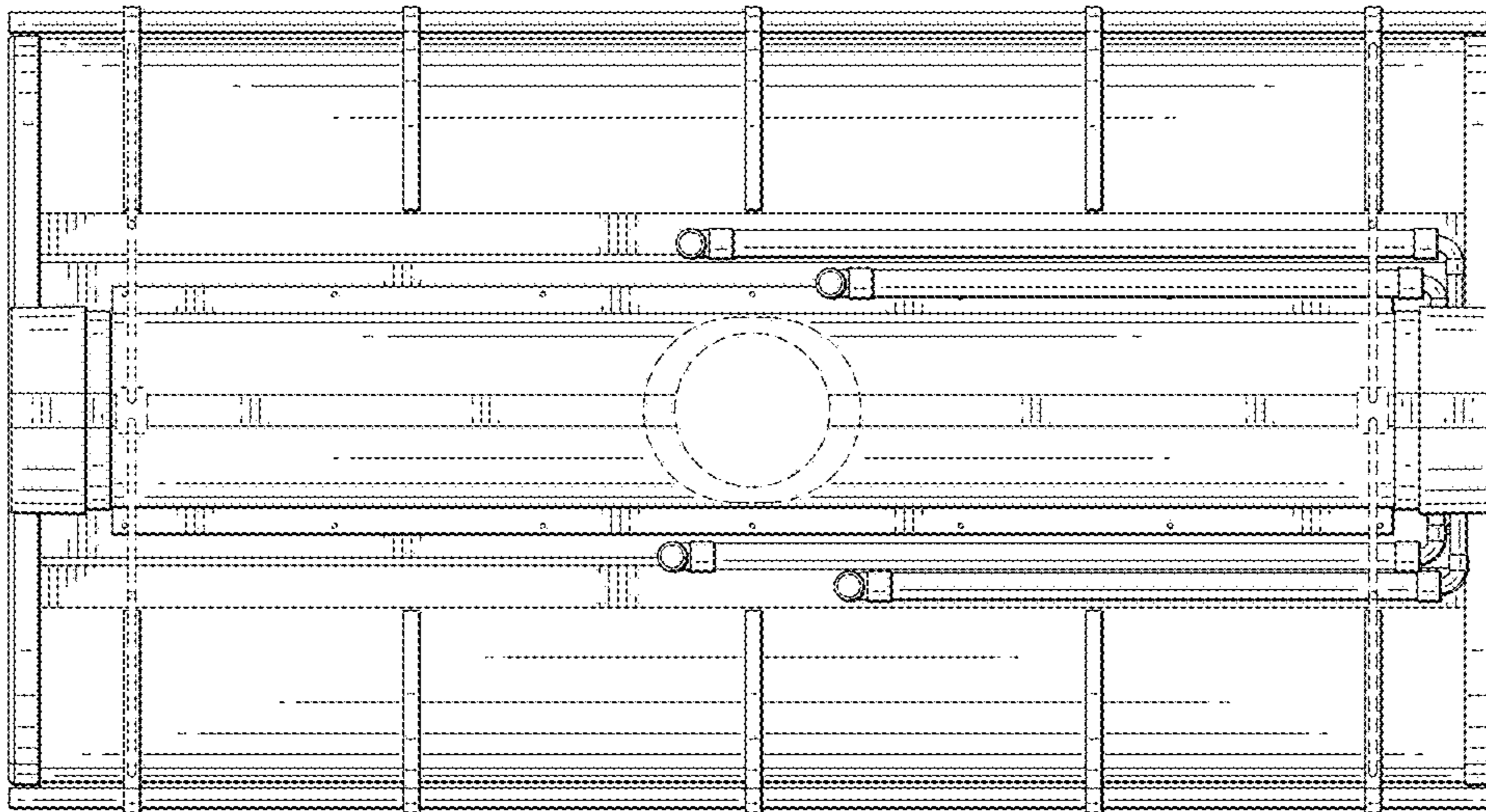


FIG. 6

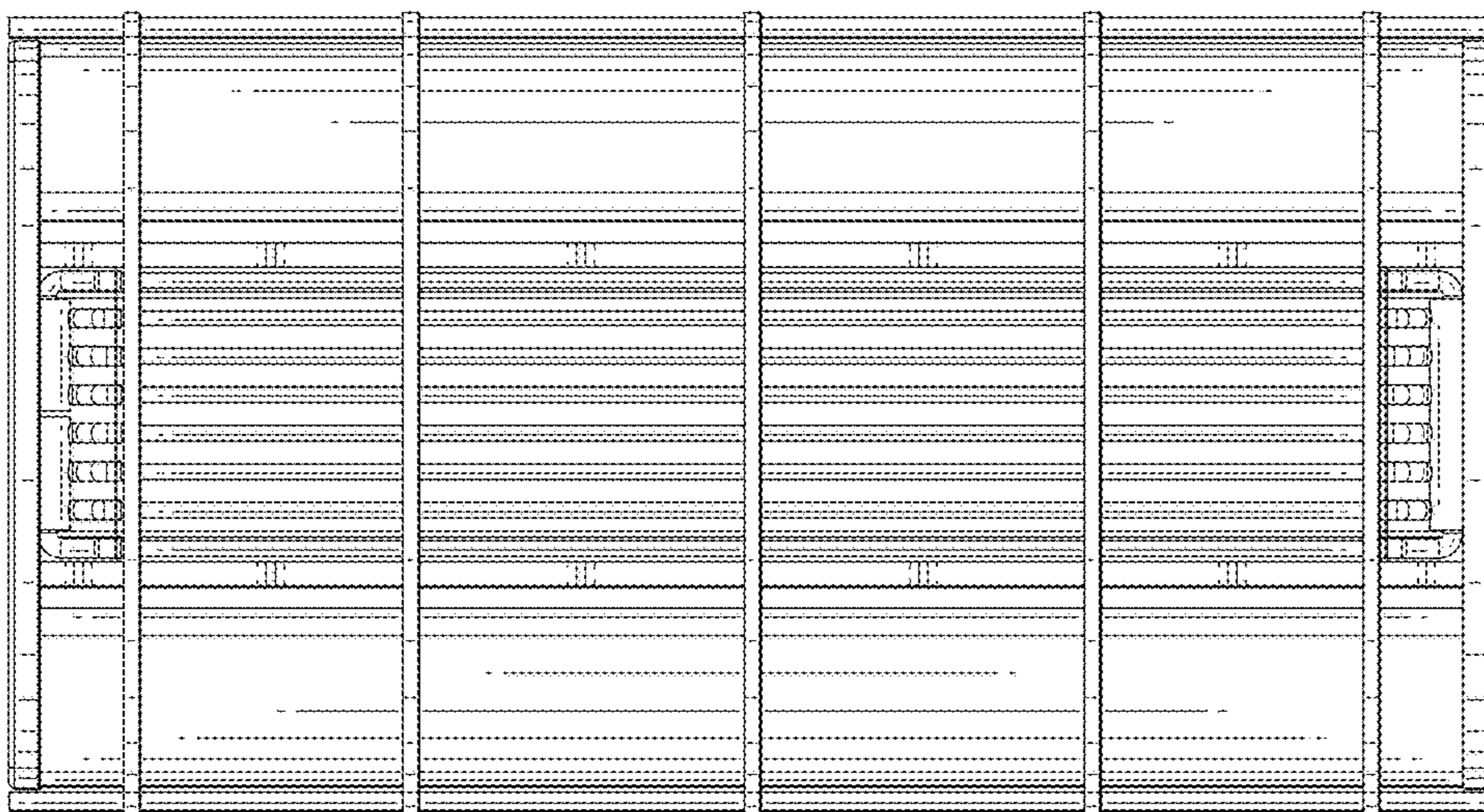


FIG. 7

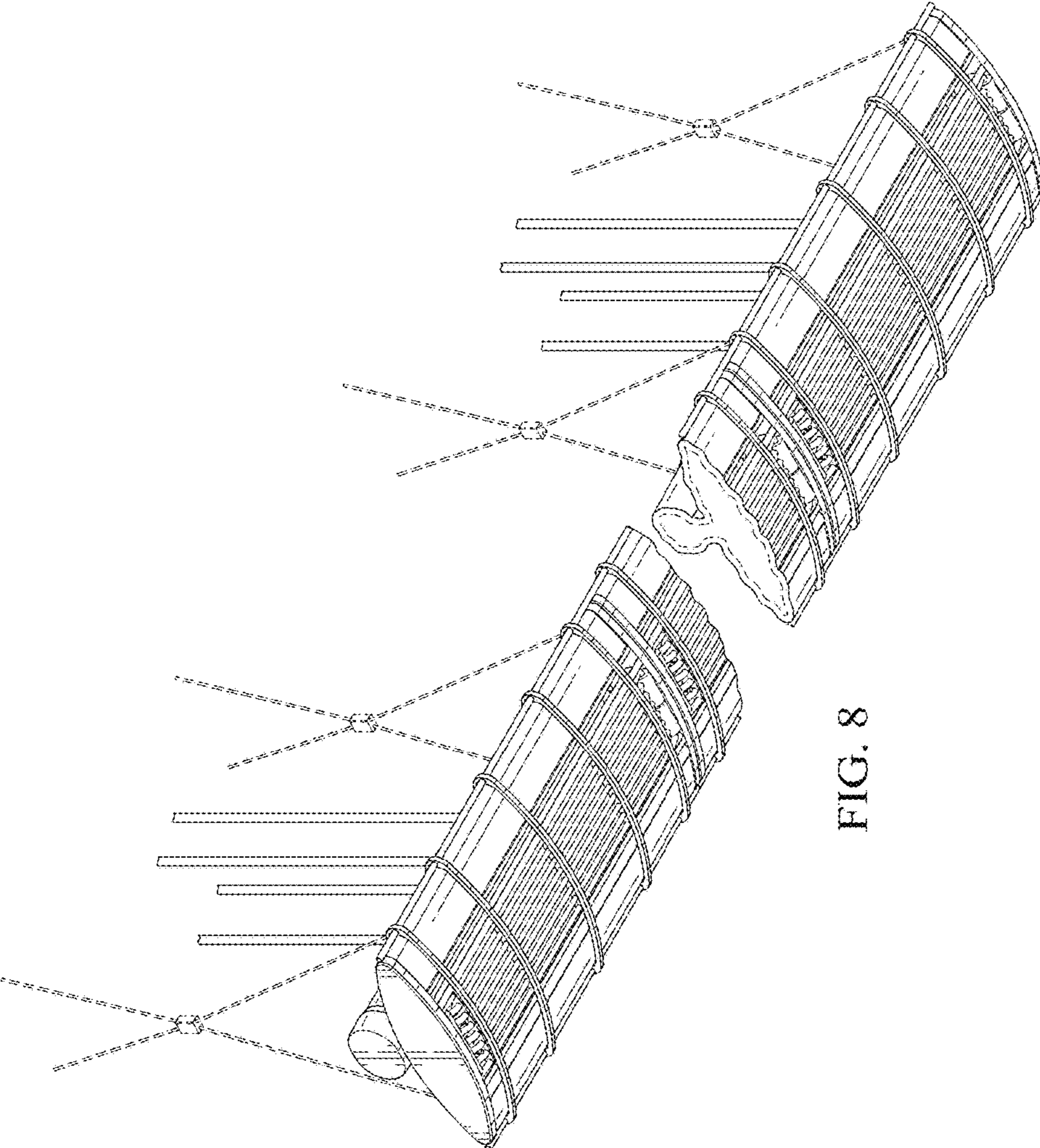


FIG. 8