



US00D863521S

(12) **United States Design Patent** (10) **Patent No.:** **US D863,521 S**  
**Hirsch et al.** (45) **Date of Patent:** **\*\* Oct. 15, 2019**

(54) **CHILLED BEAM**

(56) **References Cited**

- (71) Applicant: **Air Distribution Technologies IP, LLC**, Milwaukee, WI (US)
- (72) Inventors: **Joachim Hirsch**, Colleyville, TX (US); **Honghui Zhang**, Richardson, TX (US); **Ernest Freeman**, Dallas, TX (US); **Keith Glasch**, Plano, TX (US); **Blake Robert Gallagher**, Seattle, WA (US); **Paul Sheppard Woolford**, San Francisco, CA (US); **Thomas Adam Kaczkowski**, University City, MO (US)
- (73) Assignee: **Air Distribution Technologies IP, LLC**, Milwaukee, WI (US)
- (\*\*) Term: **15 Years**
- (21) Appl. No.: **29/621,394**
- (22) Filed: **Oct. 6, 2017**

U.S. PATENT DOCUMENTS

D327,736 S *	7/1992	Shimano .....	D23/351
D329,691 S *	9/1992	Soderberg .....	D23/330
D426,626 S *	6/2000	Nonaka .....	D23/351
D430,661 S *	9/2000	Doczy .....	D23/351
D448,072 S *	9/2001	Wakasa .....	D23/351
D449,095 S *	10/2001	Yanagida .....	D23/351
D674,964 S *	1/2013	Bailey .....	D26/118
D679,440 S *	4/2013	Smith .....	D26/76
D724,249 S *	3/2015	Maxik .....	D26/76
D736,366 S *	8/2015	Picco .....	D23/386
D761,477 S *	7/2016	Guercio .....	D26/76
D772,386 S *	11/2016	Kim .....	D23/351
D787,656 S *	5/2017	Yoo .....	D23/351
D799,655 S *	10/2017	Hirsch .....	D23/351

(Continued)

*Primary Examiner* — Natasha Vujcic  
(74) *Attorney, Agent, or Firm* — Fletcher Yoder P.C.

(57) **CLAIM**

The ornamental design for a chilled beam, as shown and described.

**DESCRIPTION**

FIG. 1 is an isometric view of a first embodiment of a chilled beam;  
 FIG. 2 is a side view thereof;  
 FIG. 3 is another side view thereof;  
 FIG. 4 is an end view thereof;  
 FIG. 5 is another end view thereof;  
 FIG. 6 is top view thereof;  
 FIG. 7 is a bottom view thereof; and,  
 FIG. 8 is an isometric view of a second embodiment of the chilled beam.

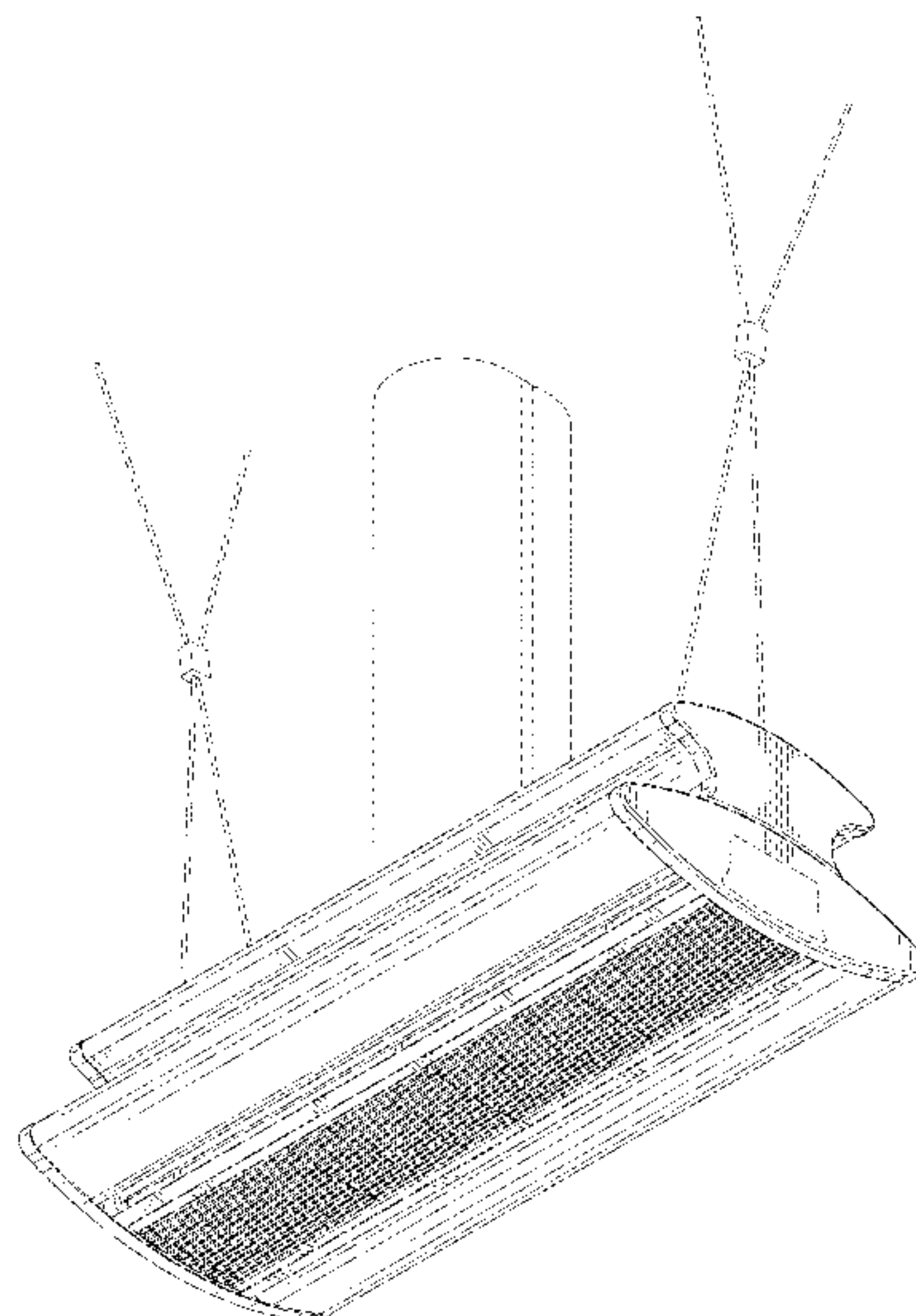
The broken lines in the drawings illustrate the environment of the chilled beam which forms no part of the claimed design.

The break lines indicate that the appearance of any portion of the chilled beam between the break lines forms no part of the claimed design.

**Related U.S. Application Data**

- (62) Division of application No. 29/524,247, filed on Apr. 17, 2015, now Pat. No. Des. 799,655.
  - (51) **LOC (12) Cl.** ..... **23-04**
  - (52) **U.S. Cl.**  
USPC ..... **D23/351**
  - (58) **Field of Classification Search**  
USPC ..... D26/72, 74, 76, 78-83; D23/351-354  
CPC ..... F21S 2/00; F21S 4/00; F21S 4/003; F21S 4/005; F21S 4/006; F21S 4/007; F21S 4/008; F21S 6/00; F21S 8/00; F21S 8/024; F21S 8/026; F21S 8/031; F21S 8/033; F21S 8/035-8/037; F21S 8/04; F21S 8/043; F21S 8/063
- See application file for complete search history.

**1 Claim, 7 Drawing Sheets**



(56)

**References Cited**

U.S. PATENT DOCUMENTS

D807,495 S \* 1/2018 Hirsch ..... D23/393  
D819,864 S \* 6/2018 Deng ..... D26/76

\* cited by examiner

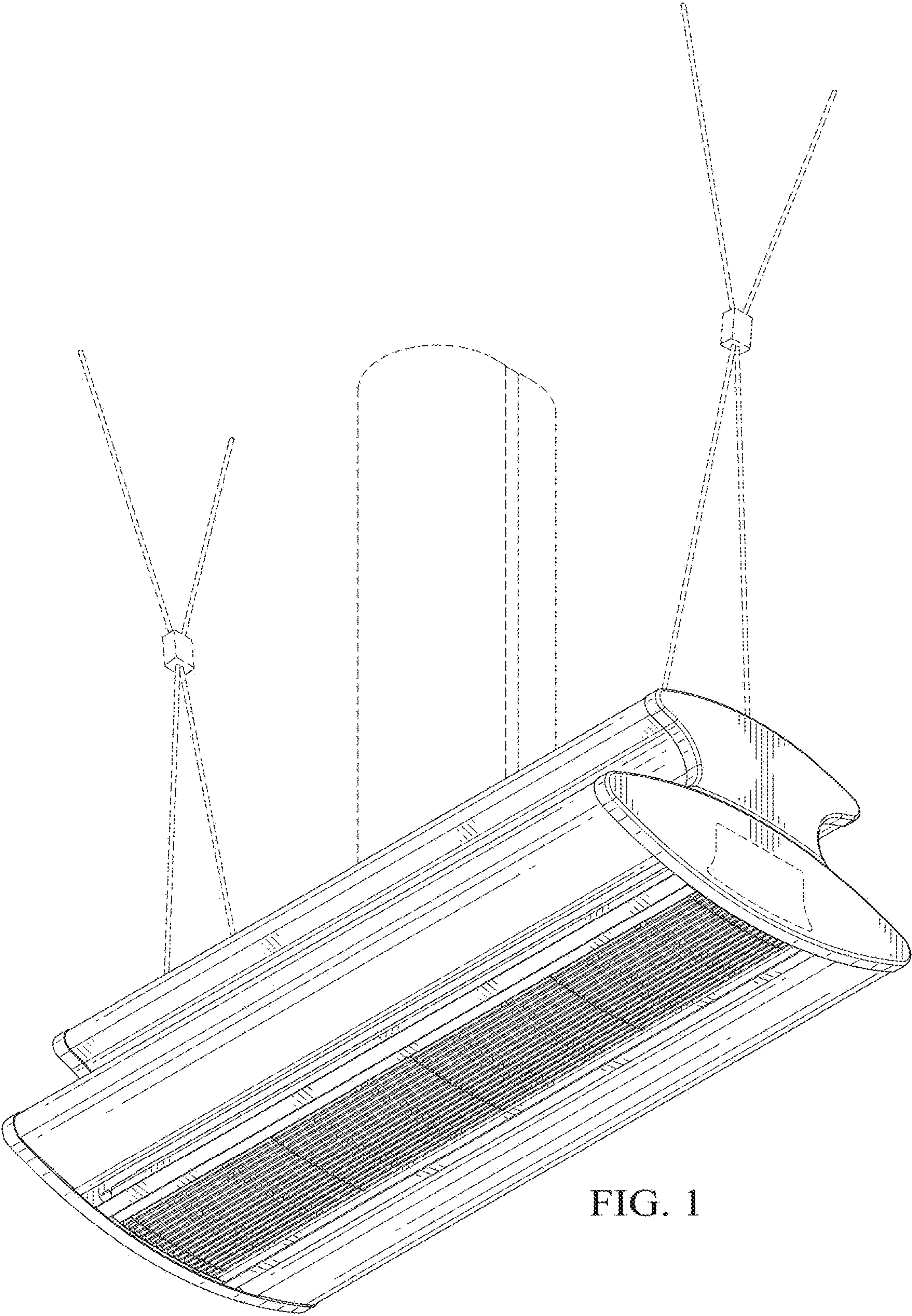


FIG. 1



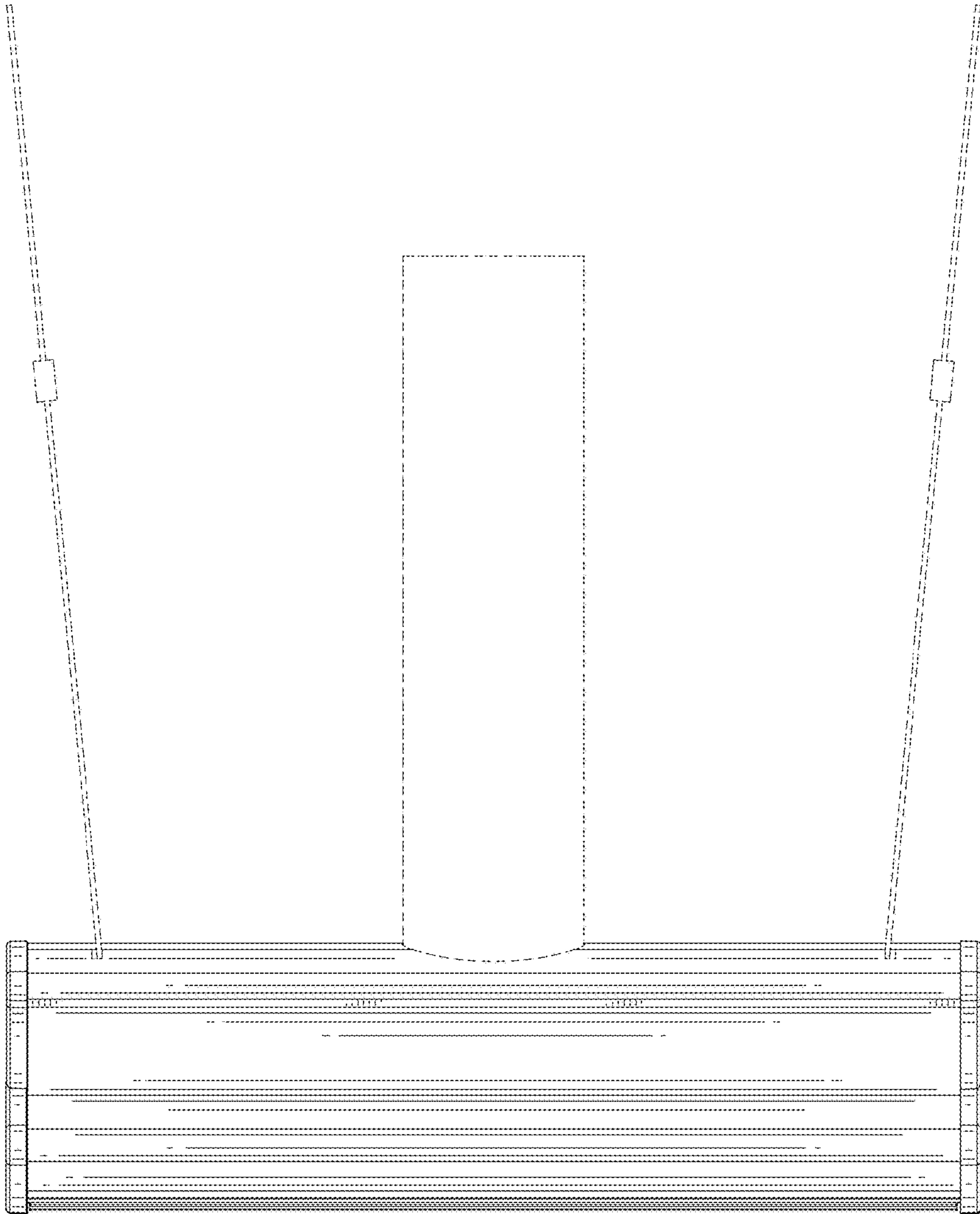


FIG. 2

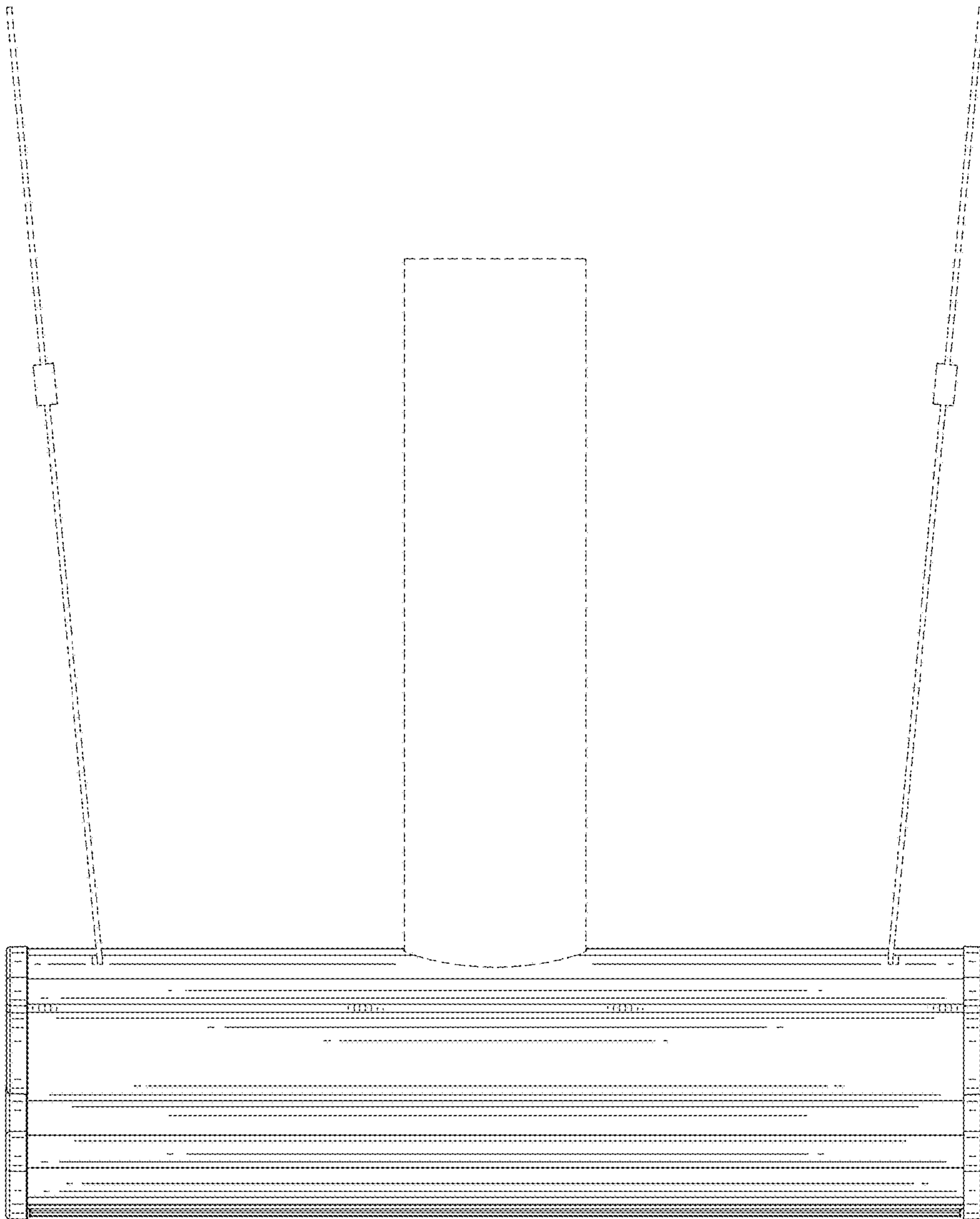


FIG. 3

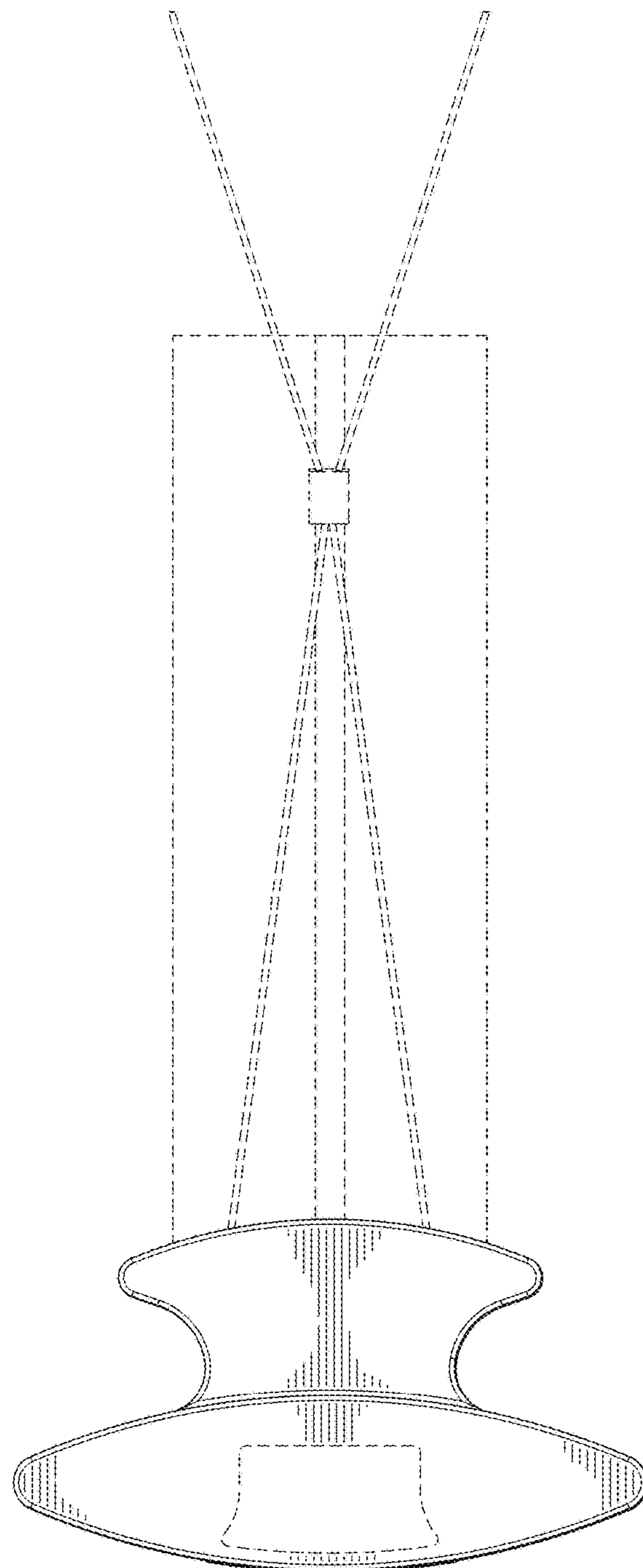


FIG. 4

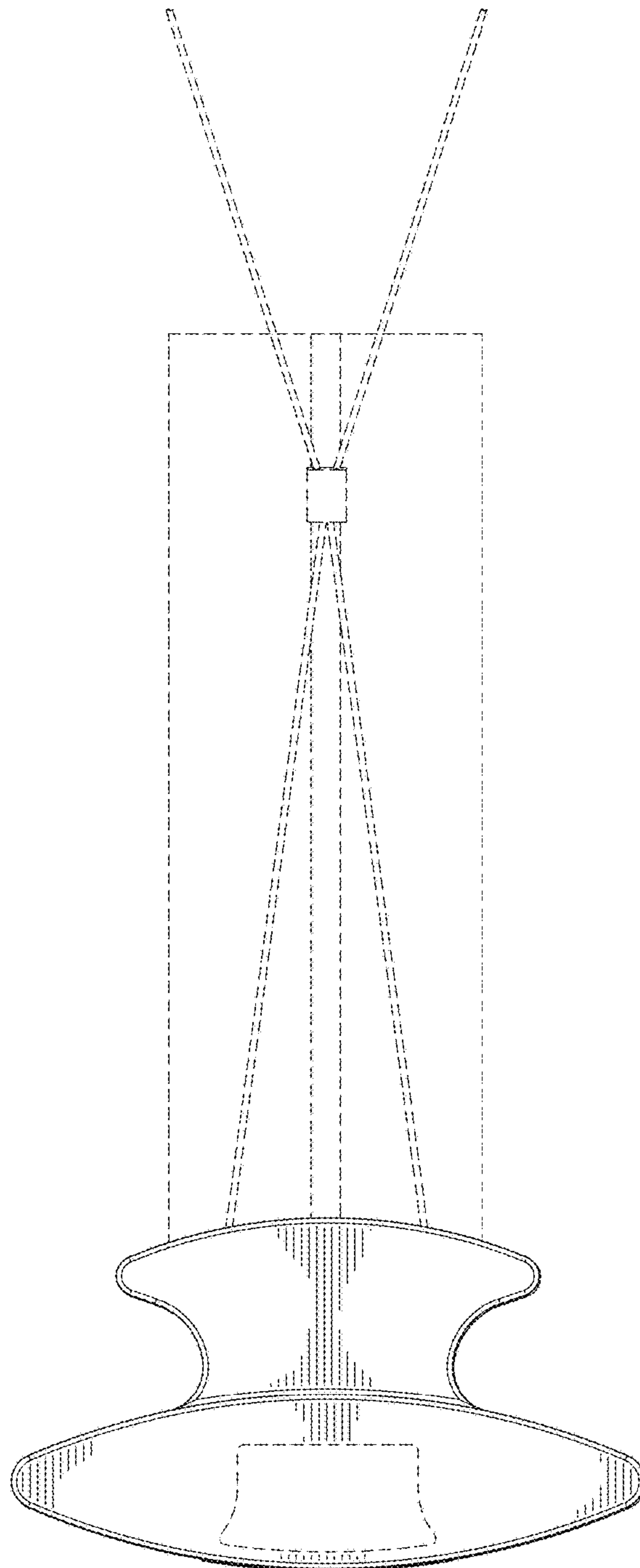


FIG. 5

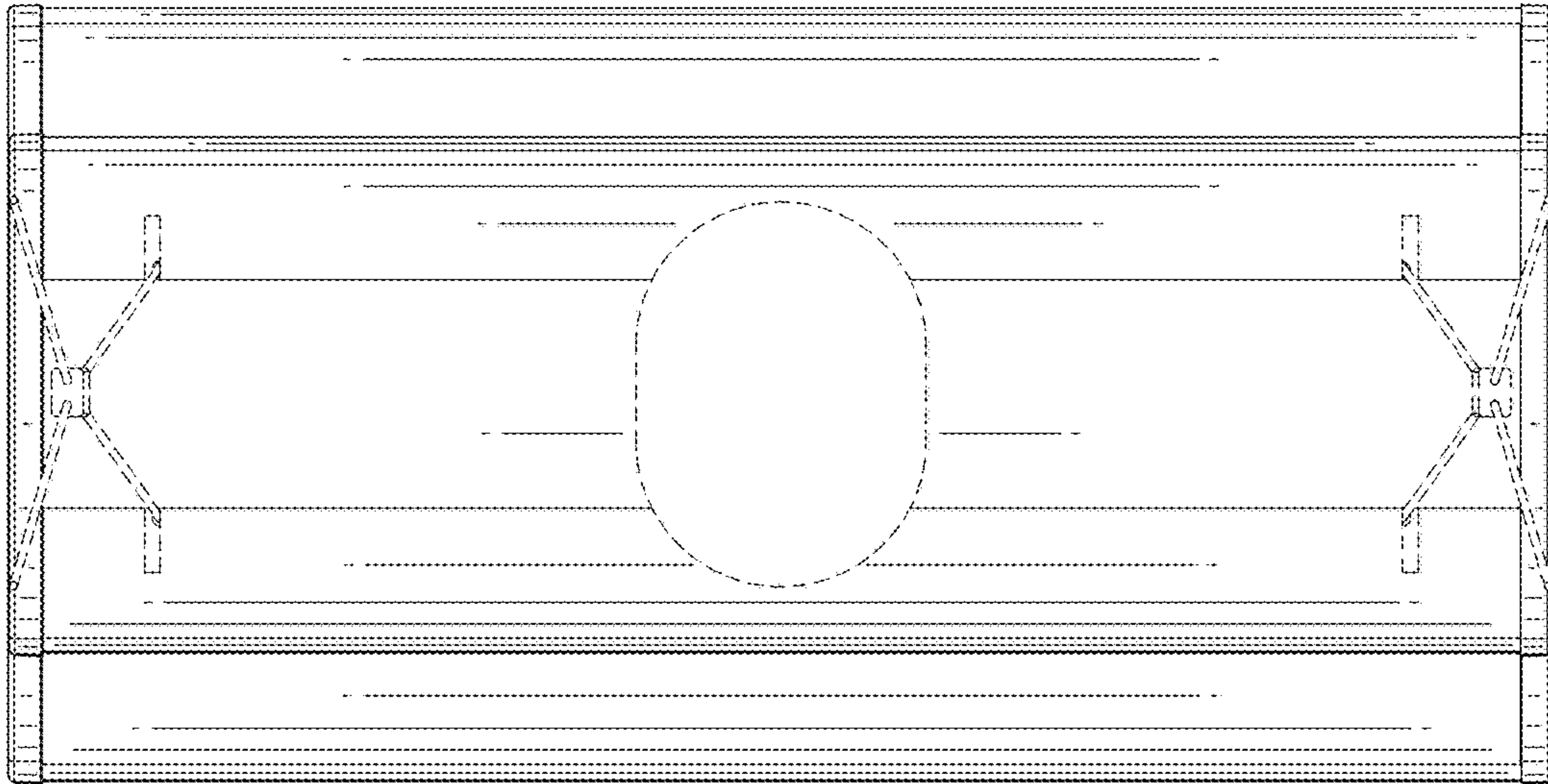


FIG. 6

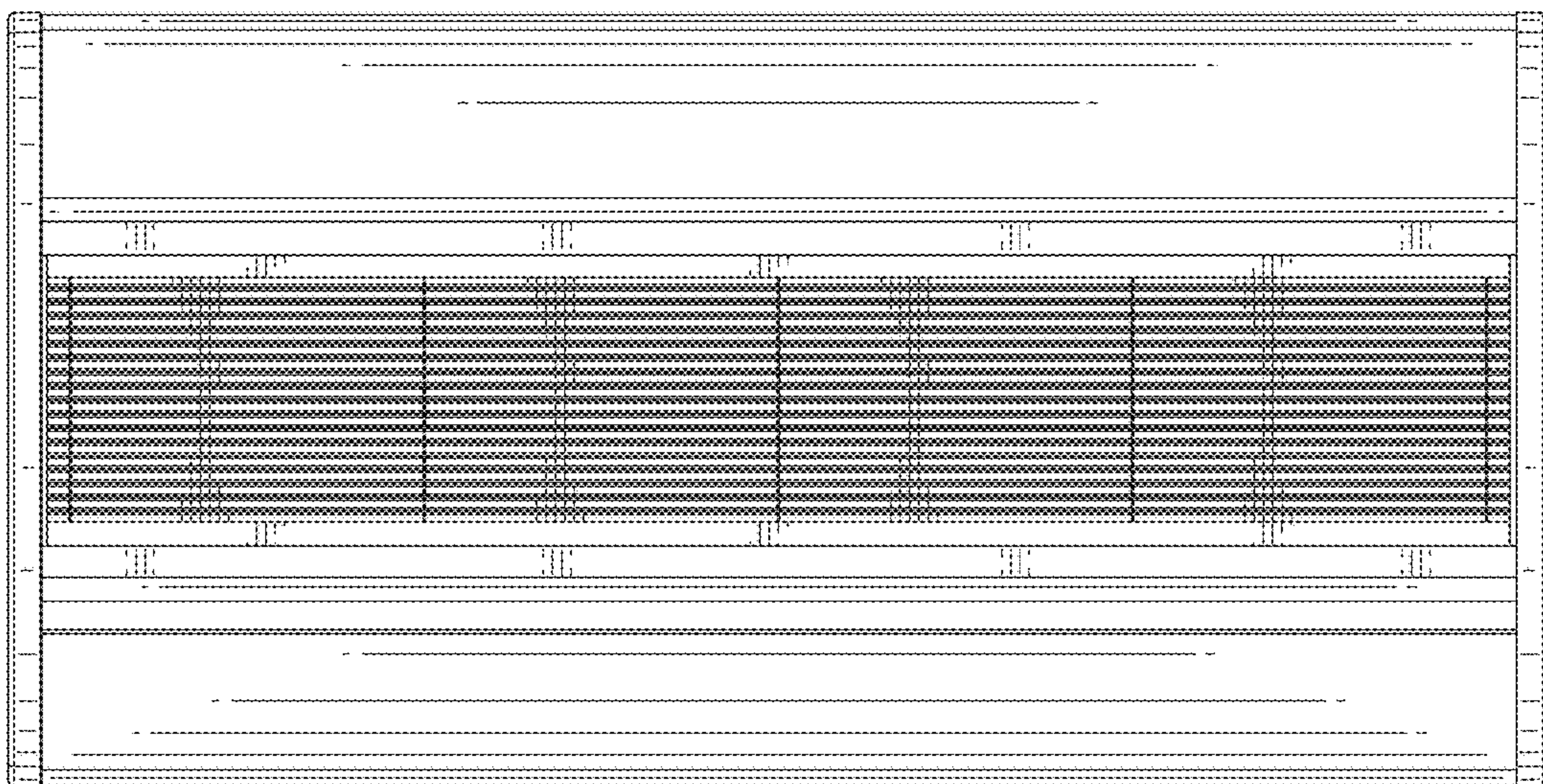


FIG. 7



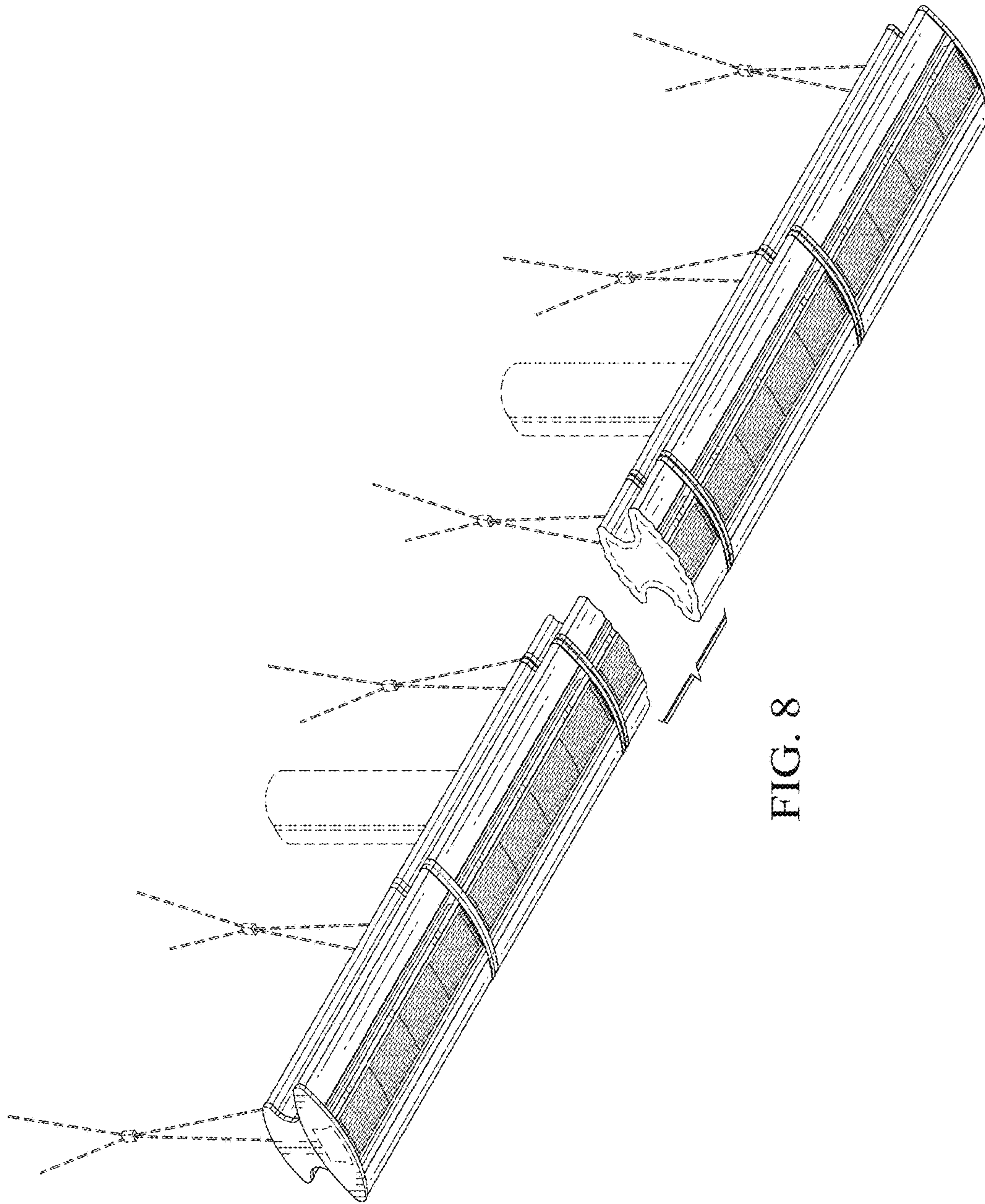


FIG. 8