



US00D863520S

(12) **United States Design Patent**  
**Sengoku et al.**

(10) **Patent No.:** **US D863,520 S**  
(45) **Date of Patent:** **\*\* Oct. 15, 2019**

- (54) **GAS STOVE**
- (71) Applicant: **SENGOKU WORKS, LTD.**, Kasai-shi, Hyogo (JP)
- (72) Inventors: **Tadashi Sengoku**, Kasai (JP); **Takehira Sengoku**, Kasai (JP); **Akihiko Shirota**, Kasai (JP)
- (73) Assignee: **SENGOKU WORKS, LTD.**, Kasai-shi, Hyogo (JP)
- (\*\*) Term: **15 Years**
- (21) Appl. No.: **29/645,246**
- (22) Filed: **Apr. 24, 2018**
- (30) **Foreign Application Priority Data**

D275,880 S *	10/1984	Nakamura	.....	D23/336
D275,883 S *	10/1984	Nakamura	.....	D23/338
D276,067 S *	10/1984	Mori	.....	D23/336
D276,069 S *	10/1984	Mori	.....	D23/336
D276,181 S *	10/1984	Mori	.....	D23/336
D276,545 S *	11/1984	Mori	.....	D23/336
D276,546 S *	11/1984	Okamoto	.....	D23/336
D277,697 S *	2/1985	Kojima	.....	D23/338
D281,998 S *	12/1985	Amano	.....	D23/338
D282,395 S *	1/1986	Nishikawa	.....	D23/338
D282,773 S *	2/1986	Mase	.....	D23/336
D284,503 S *	7/1986	Nakamura	.....	D23/338
D288,000 S *	1/1987	Takahashi	.....	D23/336
D295,310 S *	4/1988	Takahashi	.....	D23/338
D295,311 S *	4/1988	Nakamura	.....	D23/338
D295,312 S *	4/1988	Nakamura	.....	D23/338
D296,358 S *	6/1988	Sawa	.....	D23/338
D298,049 S *	10/1988	Takahashi	.....	D23/336
D299,525 S *	1/1989	Nasui	.....	D23/336
D300,455 S *	3/1989	Sakai	.....	D23/336
D300,456 S *	3/1989	Sakai	.....	D23/336
D390,984 S *	2/1998	Long	.....	D26/41

(Continued)

- Oct. 25, 2017 (JP) ..... 2017-023667
- (51) **LOC (12) Cl.** ..... **23-03**
- (52) **U.S. Cl.**  
USPC ..... **D23/338**
- (58) **Field of Classification Search**  
USPC ..... D7/332-337, 352-356, 358, 362-364,  
D7/366; 126/25 R, 92 AC; D23/335,  
D23/336, 338; D26/41, 114  
CPC ..... A47J 33/00; A47J 37/07; A47J 37/0704;  
A47J 37/0713; A47J 37/0763; A47J  
37/0786; A47J 2037/0777; F24C 3/14;  
F24B 1/202; F24H 3/0417; F24H 3/006;  
F24H 9/1881  
See application file for complete search history.

(56) **References Cited**  
U.S. PATENT DOCUMENTS

D249,448 S *	9/1978	Vache	.....	D7/337
D269,541 S *	6/1983	Nakamura	.....	D23/336
D275,879 S *	10/1984	Nakamura	.....	D23/336

*Primary Examiner* — Brett Miller  
(74) *Attorney, Agent, or Firm* — Edward J. Baba; Bret E. Field; Bozicevic, Field & Francis LLP

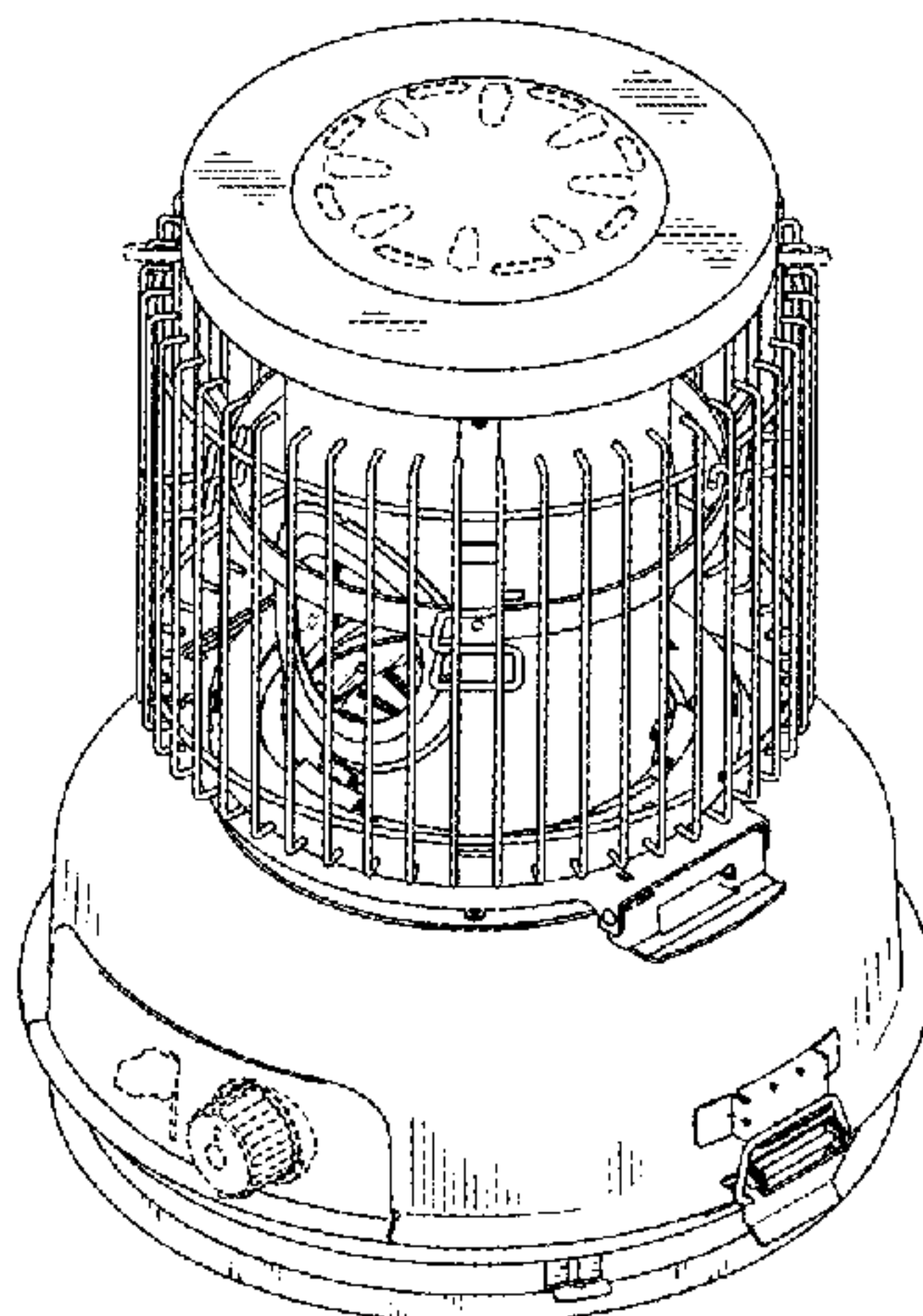
(57) **CLAIM**

The ornamental design for gas stove, as shown and described.

**DESCRIPTION**

FIG. 1 is a front view;  
FIG. 2 is a rear view;  
FIG. 3 is a top view;  
FIG. 4 is a bottom view;  
FIG. 5 is a right side view;  
FIG. 6 is a left side view; and,  
FIG. 7 is a perspective view.  
The broken lines depict environment and form no part of the claimed design.

**1 Claim, 7 Drawing Sheets**



(56)

**References Cited**

U.S. PATENT DOCUMENTS

D483,606 S *	12/2003	Hsu .....	D7/366
D523,684 S *	6/2006	Dowst .....	D7/337
D537,154 S *	2/2007	Cunningham .....	D23/336
D553,774 S *	10/2007	Leung .....	D26/41
D625,543 S *	10/2010	Fitzgerald .....	D7/332
9,677,724 B2 *	6/2017	McClean .....	F21L 26/00
D830,761 S *	10/2018	Kim .....	D7/362
2014/0311475 A1 *	10/2014	Dowst .....	A47J 36/26 126/25 R

\* cited by examiner

FIG. 1

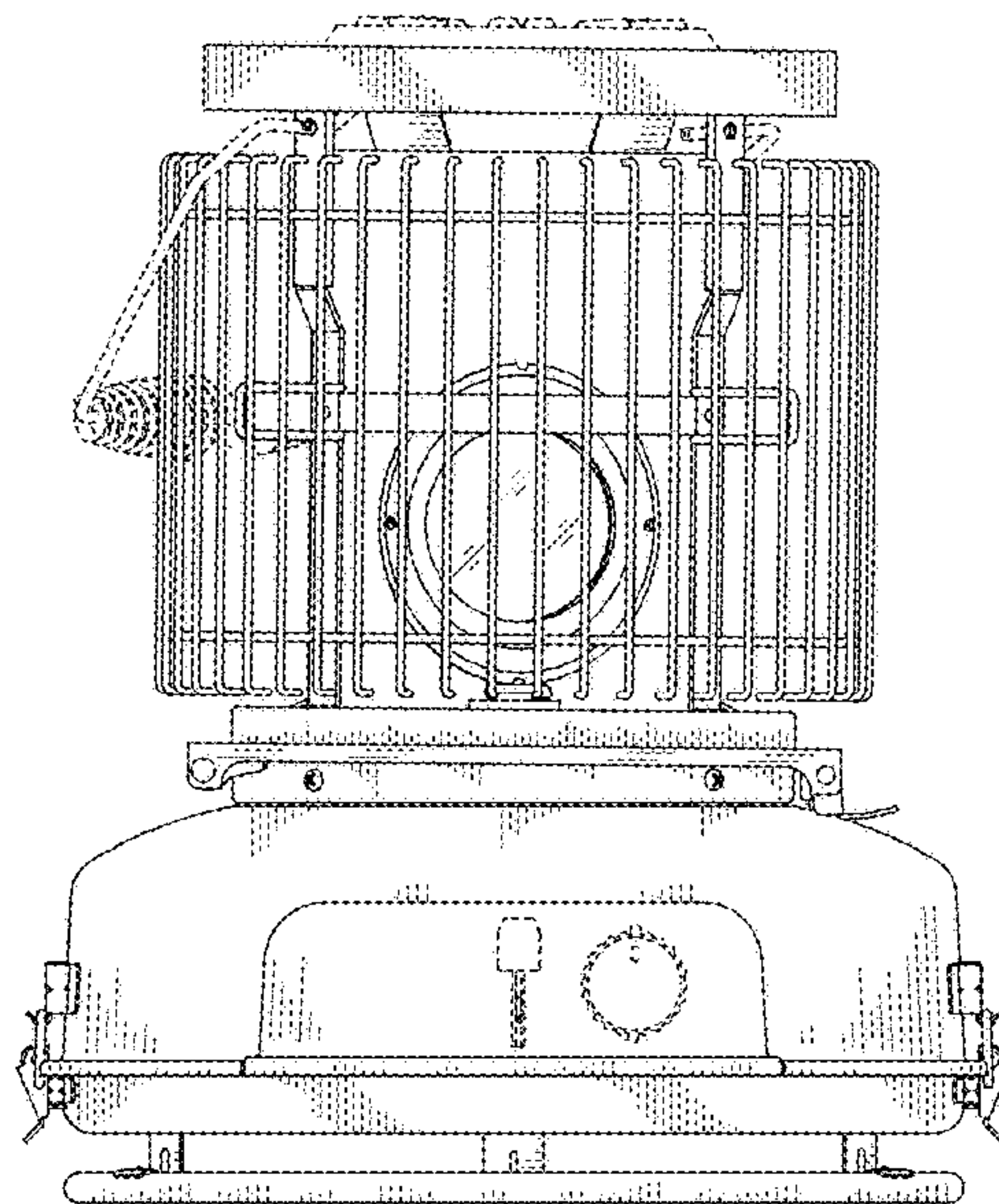


FIG. 2

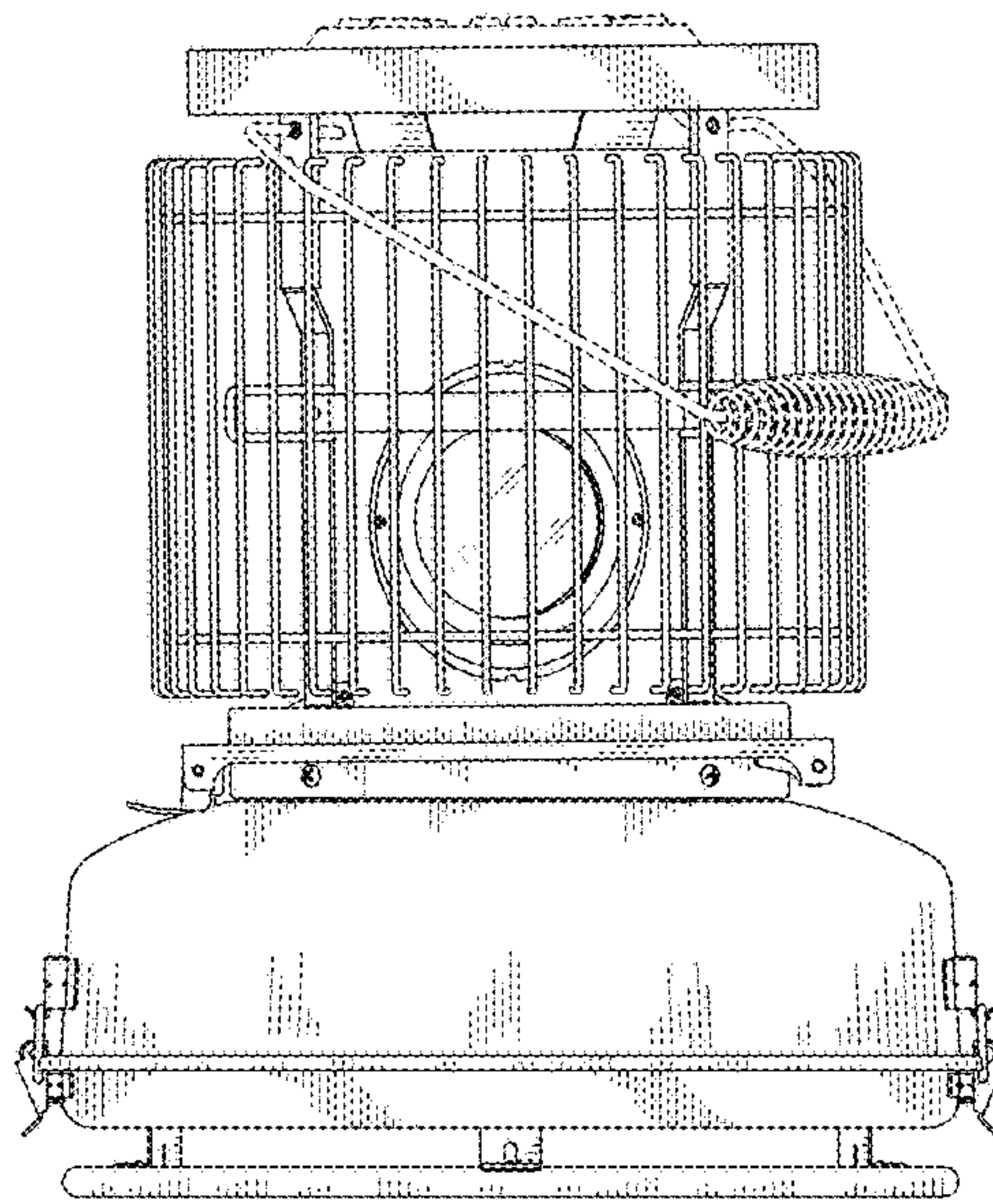


FIG. 3

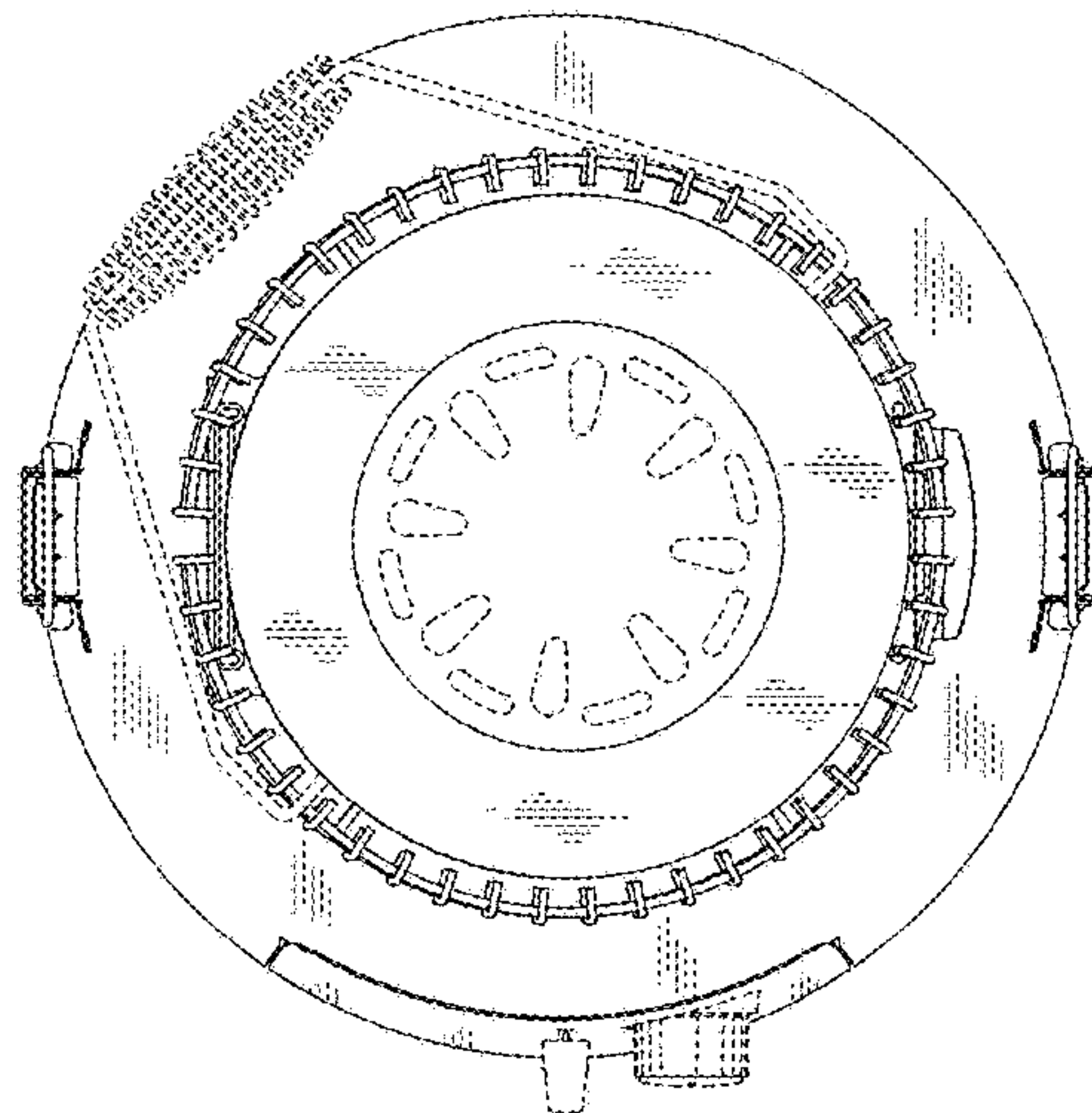




FIG. 4

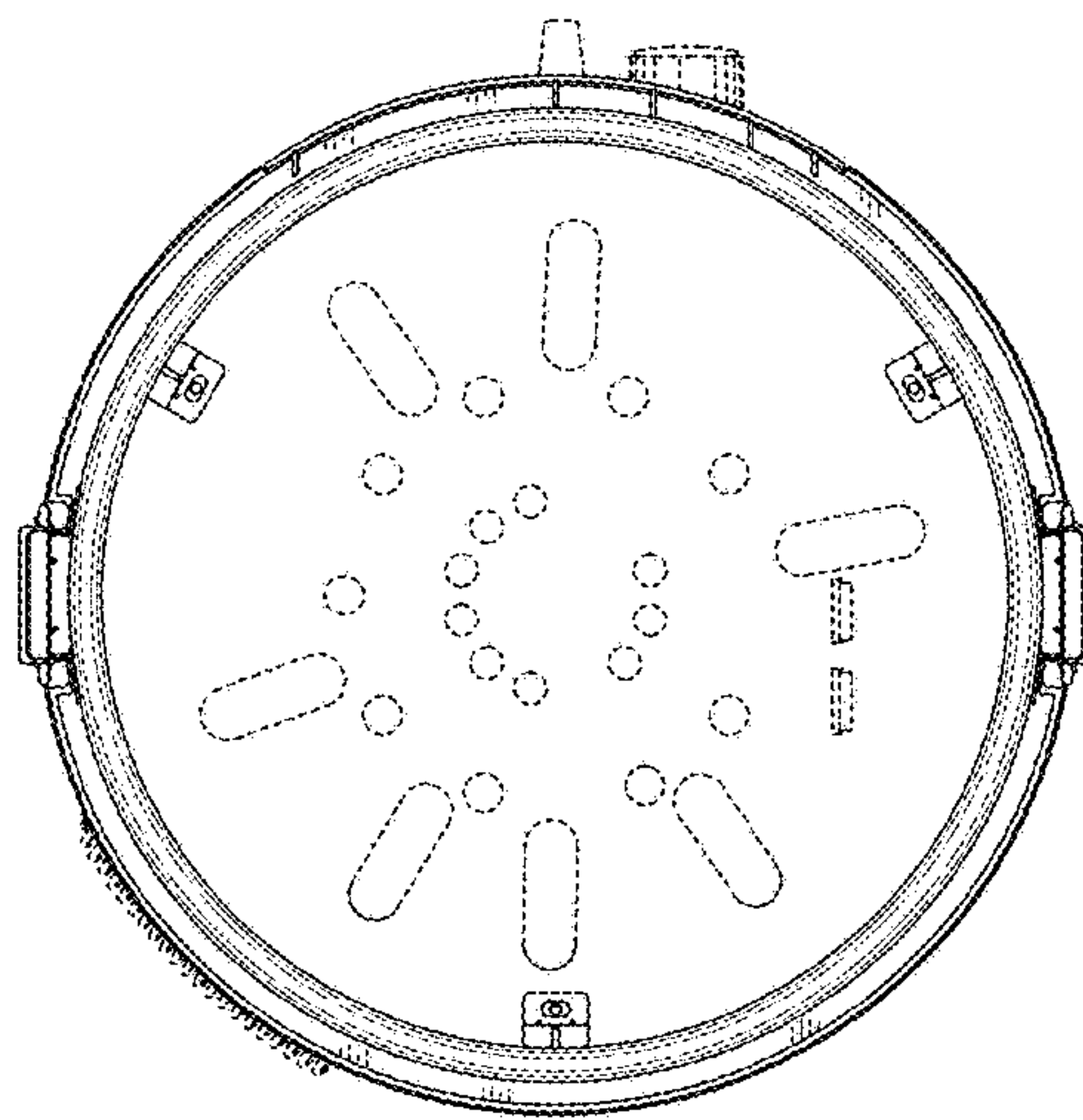


FIG. 5

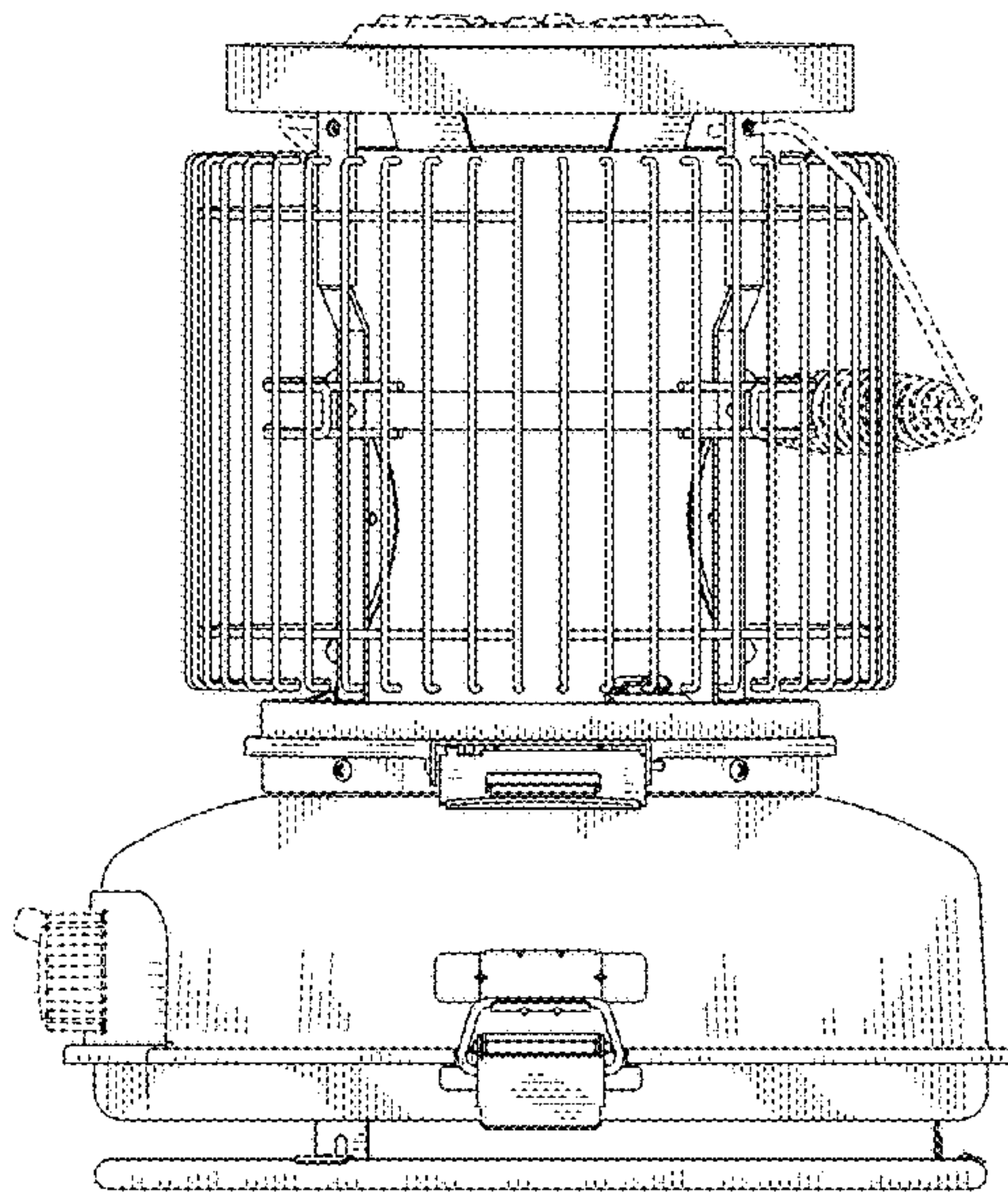


FIG. 6

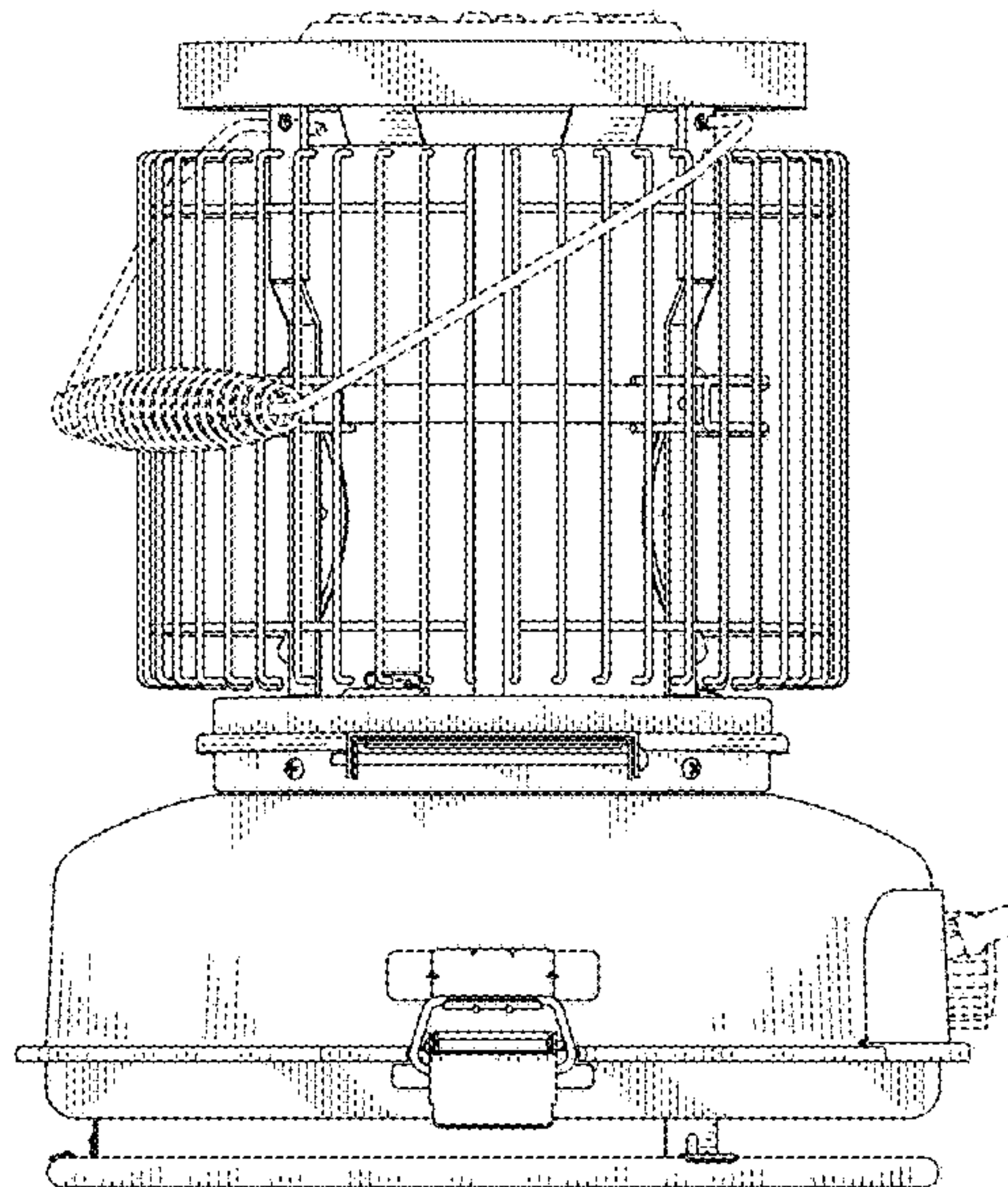




FIG. 7

