



US00D863517S

(12) **United States Design Patent** (10) **Patent No.:** **US D863,517 S**  
**Garrels et al.** (45) **Date of Patent:** **\*\* Oct. 15, 2019**

(54) **TOILET**  
(71) Applicant: **Kohler Co.**, Kohler, WI (US)  
(72) Inventors: **Clayton C. Garrels**, Kohler, WI (US);  
**Robin A. Goad**, Sheboygan, WI (US)  
(73) Assignee: **KOHLER CO.**, Kohler, WI (US)  
(\*\*) Term: **15 Years**

D520,615 S 5/2006 Hou  
D532,875 S 11/2006 Kaule  
D594,942 S 6/2009 Slothower  
D672,019 S 12/2012 Bucher  
D687,933 S 8/2013 Kennedy  
D690,402 S 9/2013 Bates et al.  
D697,579 S 1/2014 O'Grady  
D702,331 S \* 4/2014 Garland ..... D23/295  
(Continued)

(21) Appl. No.: **29/640,360**  
(22) Filed: **Mar. 14, 2018**

**Related U.S. Application Data**

(62) Division of application No. 29/567,490, filed on Jun. 9, 2016, now Pat. No. Des. 815,718.  
(51) **LOC (12) Cl.** ..... **23-02**  
(52) **U.S. Cl.**  
USPC ..... **D23/309**  
(58) **Field of Classification Search**  
USPC ..... D23/295-301, 303, 309, 311-313  
CPC ..... A47K 11/02; A47K 11/026; A47K 11/00;  
A47K 13/00; E03D 11/18; E03D 5/10;  
E03D 13/00  
See application file for complete search history.

**References Cited**

**U.S. PATENT DOCUMENTS**

D292,431 S 10/1987 Kohler, Jr.  
D310,407 S 9/1990 Stairs, Jr.  
D323,880 S 2/1992 McKeone et al.  
D344,579 S 2/1994 Kohler, Jr. et al.  
D372,961 S 8/1996 Bonnell et al.  
D379,217 S 5/1997 Kergoet  
D397,214 S 8/1998 Felker  
D437,634 S 2/2001 Hundley  
D439,638 S 3/2001 Hundley  
D507,335 S 7/2005 Gordon  
D507,822 S 7/2005 Bucher  
D514,208 S 1/2006 Gordon

**OTHER PUBLICATIONS**

Kohler Cavata reference [May 3, 2019] found online [May 3, 2019]—[https://www.us.kohler.com/us/cavata-the-complete-solution-dual-flush-toilet/productDetail/toilets/907970.htm?skuId=907968.\\*](https://www.us.kohler.com/us/cavata-the-complete-solution-dual-flush-toilet/productDetail/toilets/907970.htm?skuId=907968.*)  
(Continued)

*Primary Examiner* — Brandon M Rosati  
*Assistant Examiner* — John A Voytek  
(74) *Attorney, Agent, or Firm* — Foley & Lardner LLP

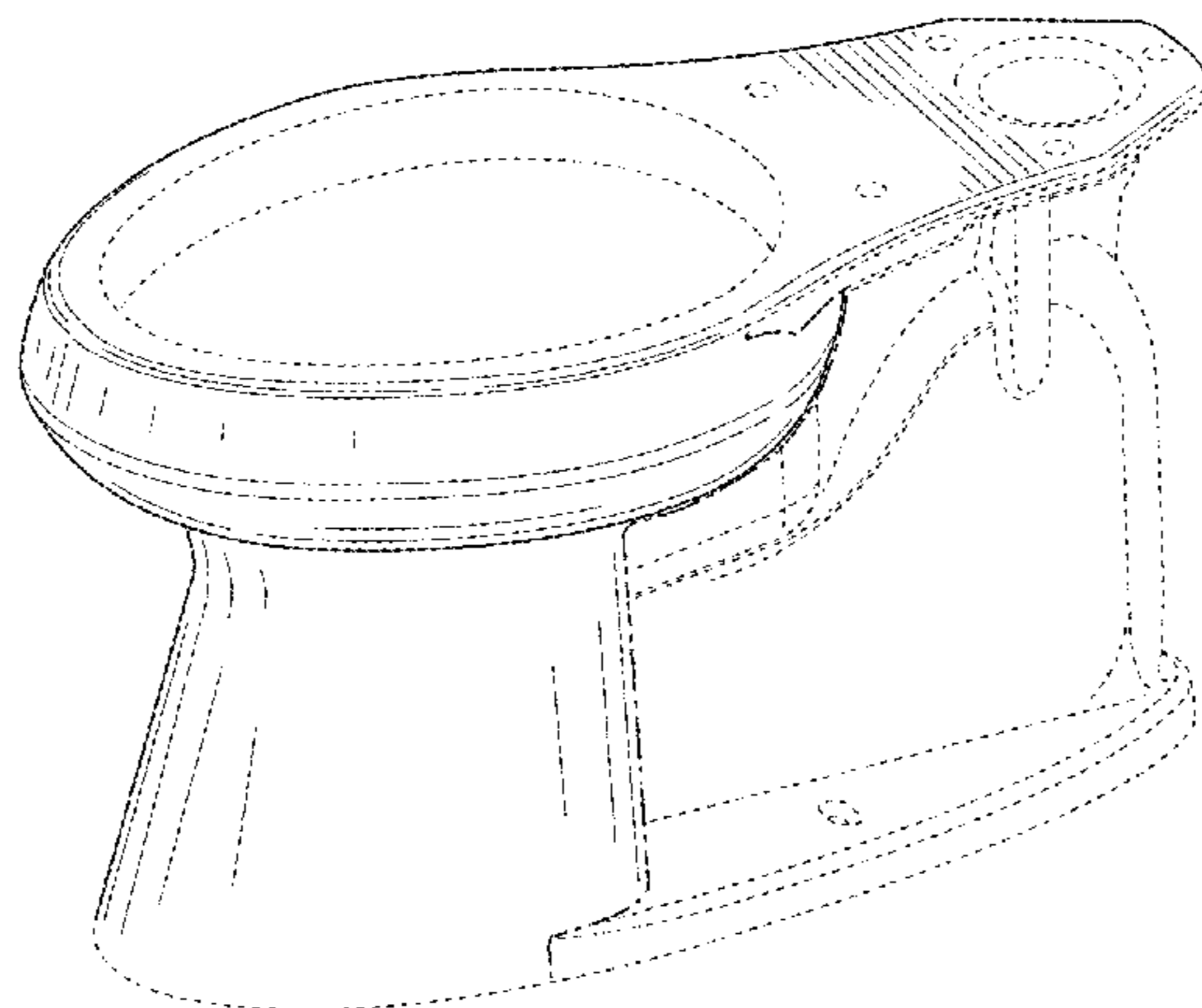
(57) **CLAIM**

We claim the ornamental design for a toilet, as shown and described.

**DESCRIPTION**

FIG. 1 is a perspective view of an embodiment of the claimed design;  
FIG. 2 is a top view of the embodiment of FIG. 1;  
FIG. 3 is a bottom view of the embodiment of FIG. 1;  
FIG. 4 is a front view of the embodiment of FIG. 1;  
FIG. 5 is a rear view of the embodiment of FIG. 1;  
FIG. 6 is a side view of the embodiment of FIG. 1; and,  
FIG. 7 is another side view of the embodiment of FIG. 1.  
The ornamental design which is claimed is shown in solid lines in the drawings. The broken lines in the drawings form no part of the claimed design. Broken lines formed by equal length dashes show unclaimed subject matter. Broken lines formed of unequal length dashes (i.e., dash-dot) define bounds of the claimed design.

**1 Claim, 7 Drawing Sheets**



(56)

**References Cited**

U.S. PATENT DOCUMENTS

D749,710 S	2/2016	Eads	
D751,679 S	3/2016	McNinch	
D751,680 S	3/2016	McNinch	
D797,910 S *	9/2017	Garland .....	D23/301
D806,842 S *	1/2018	Goad .....	D23/301
D815,718 S *	4/2018	Garrels .....	D23/301
D824,006 S *	7/2018	Goad .....	D23/309
D827,109 S *	8/2018	Goad .....	D23/301
D829,871 S *	10/2018	Garrels .....	D23/301
2015/0267389 A1 *	9/2015	Luetngen .....	E03D 9/00 4/425

OTHER PUBLICATIONS

Barrington Pressure Lite Toilet, Kohler Fixtures, Suggested Price Book, p. 311, dated Jan. 15, 2005.

Pinoir Comfort Height Toilet, Kohler Fixtures, Suggested Price Book, p. 264, dated Jan. 13, 2007.

Wellworth Comfort Height Toilet with Concealed Trapway, Kohler Fixtures, Suggested Price Book, p. 265, dated Jan. 13, 2007.

\* cited by examiner

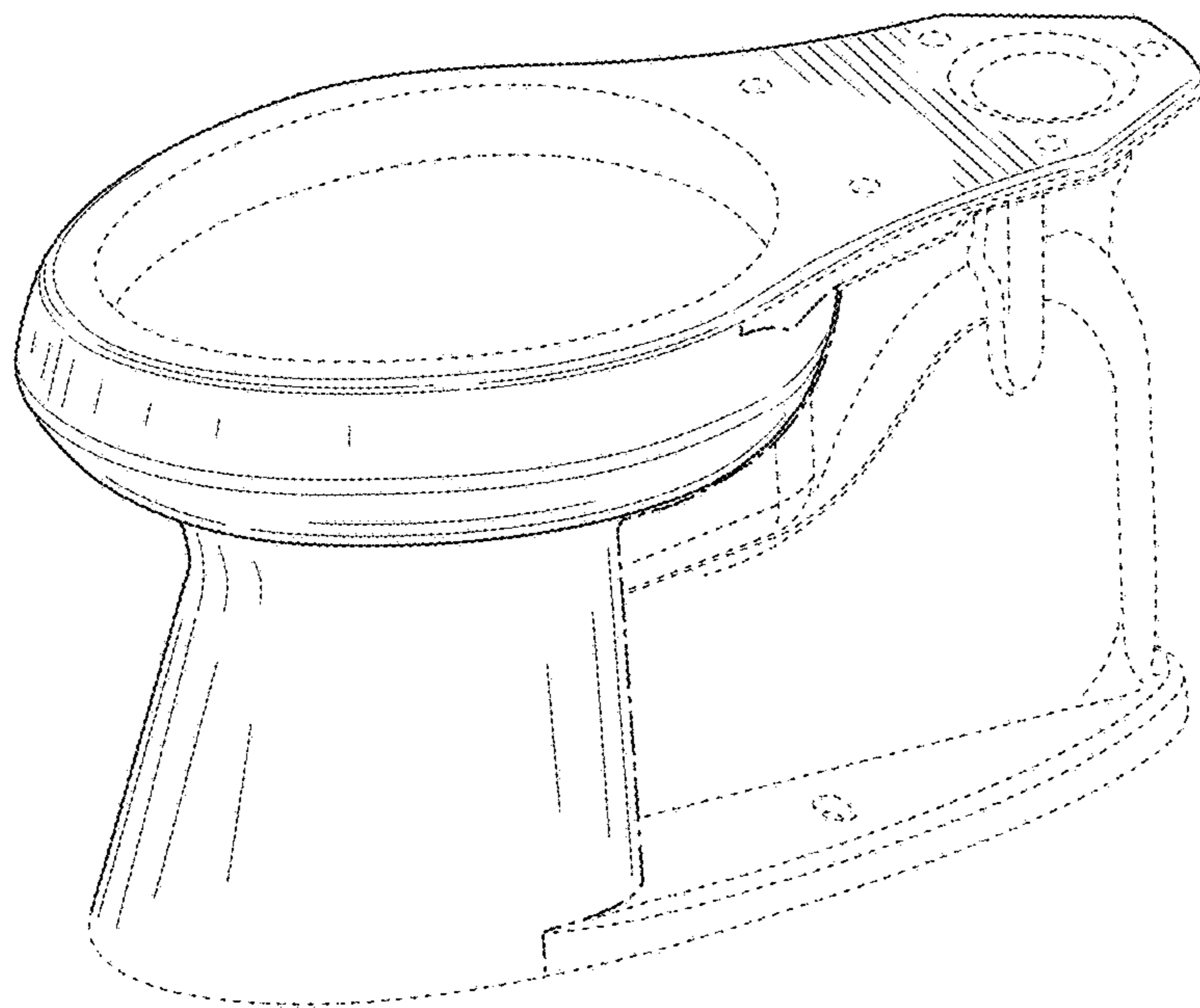


FIG. 1

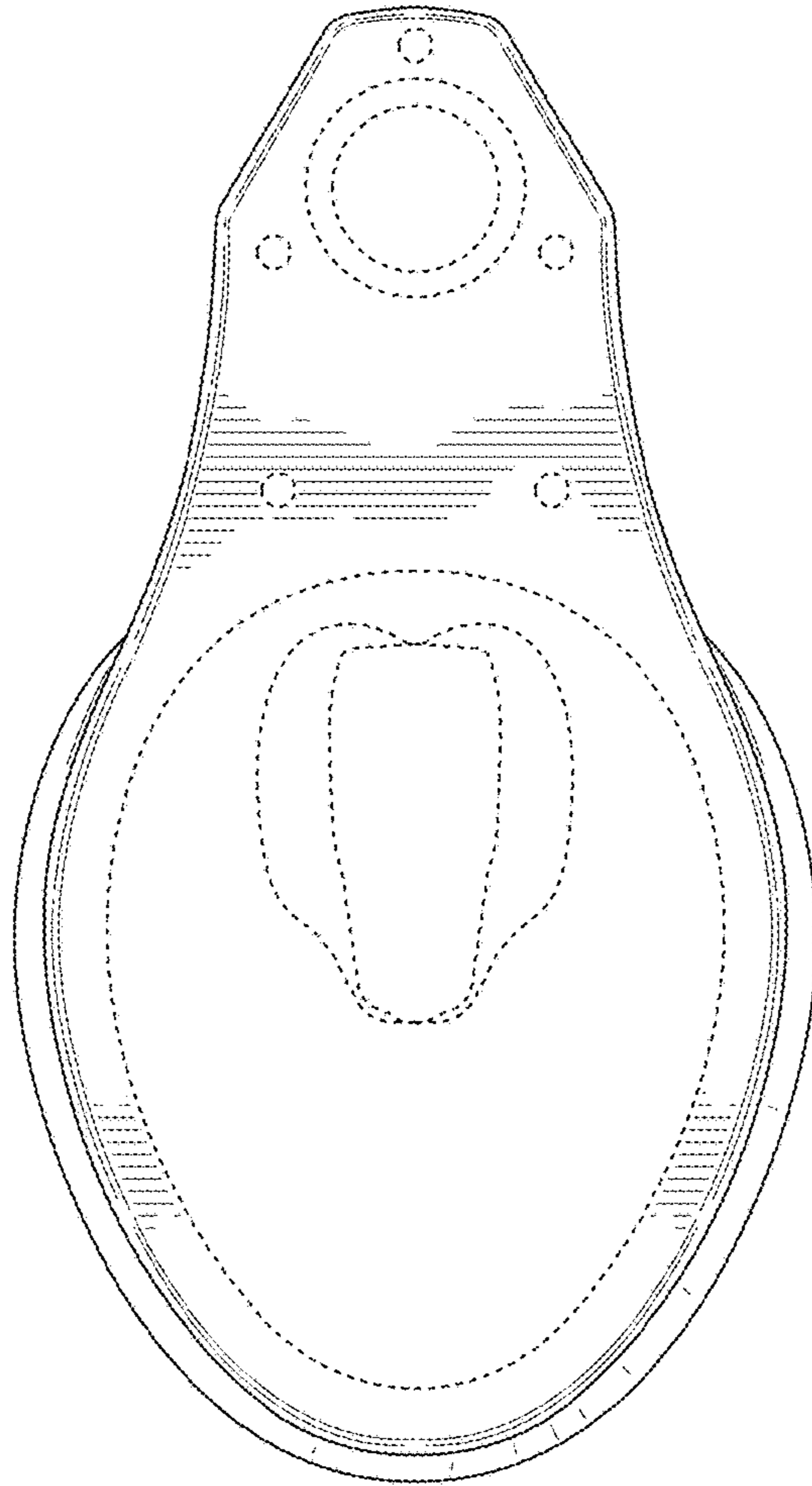


FIG. 2

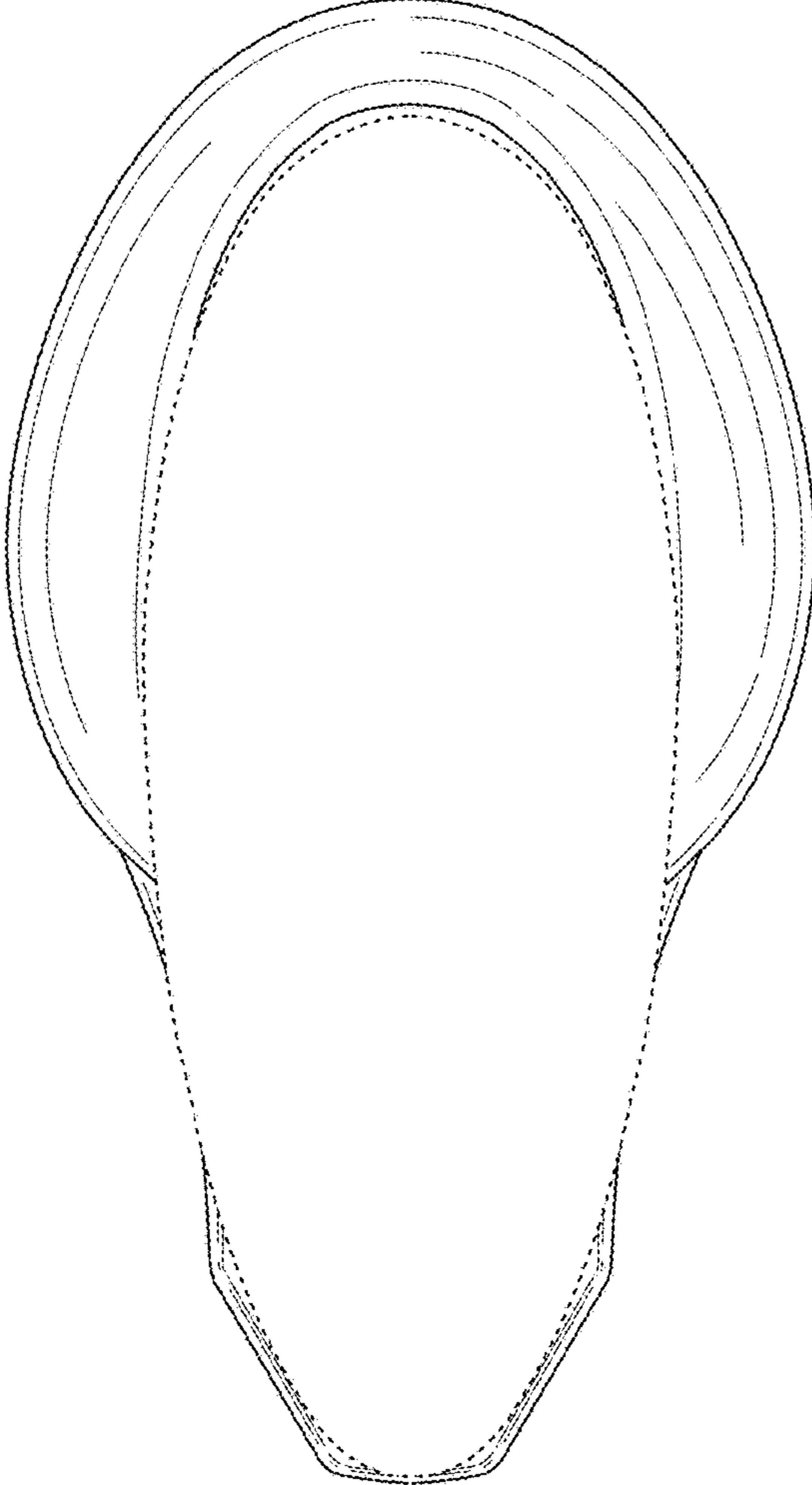


FIG. 3

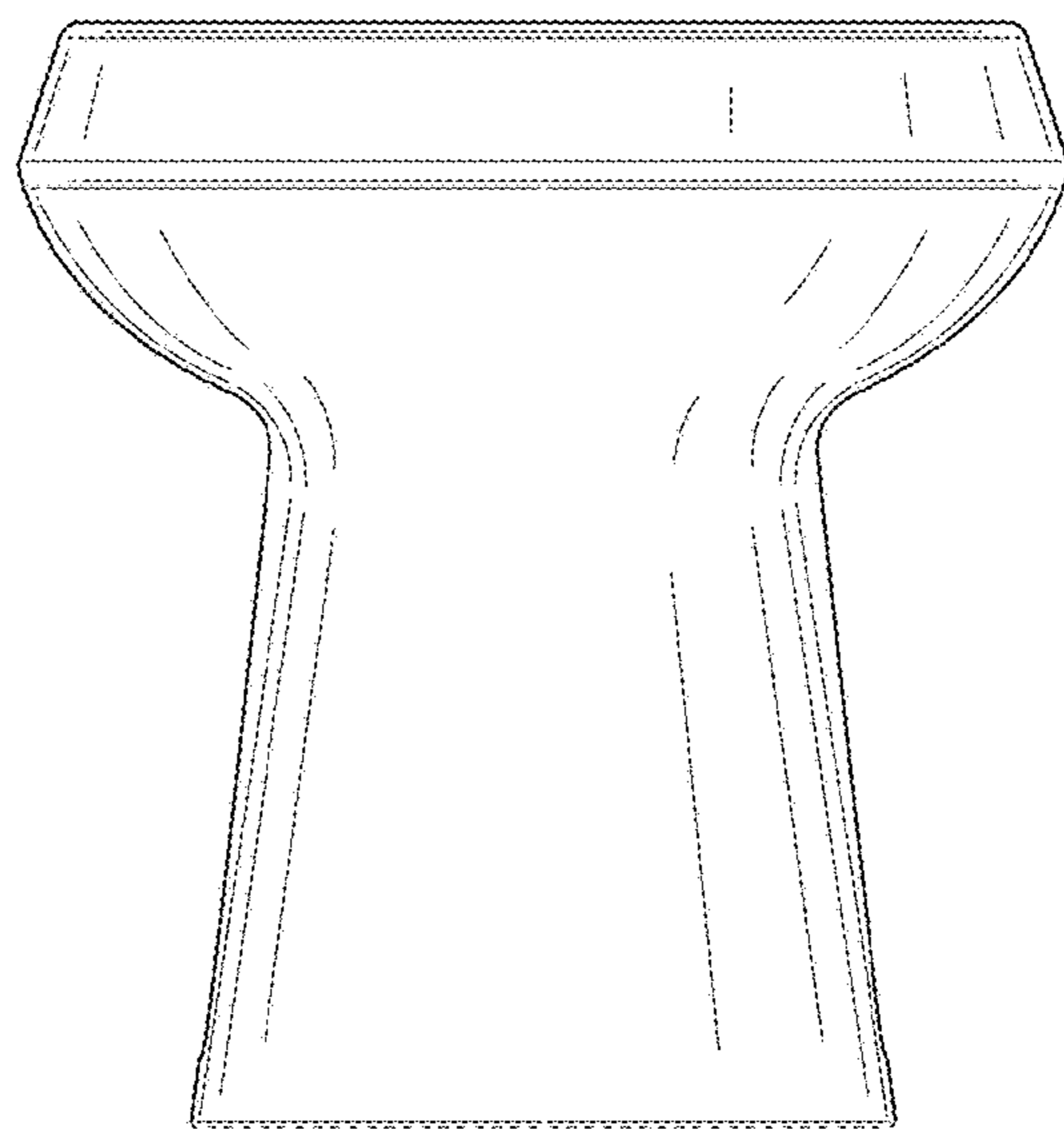


FIG. 4

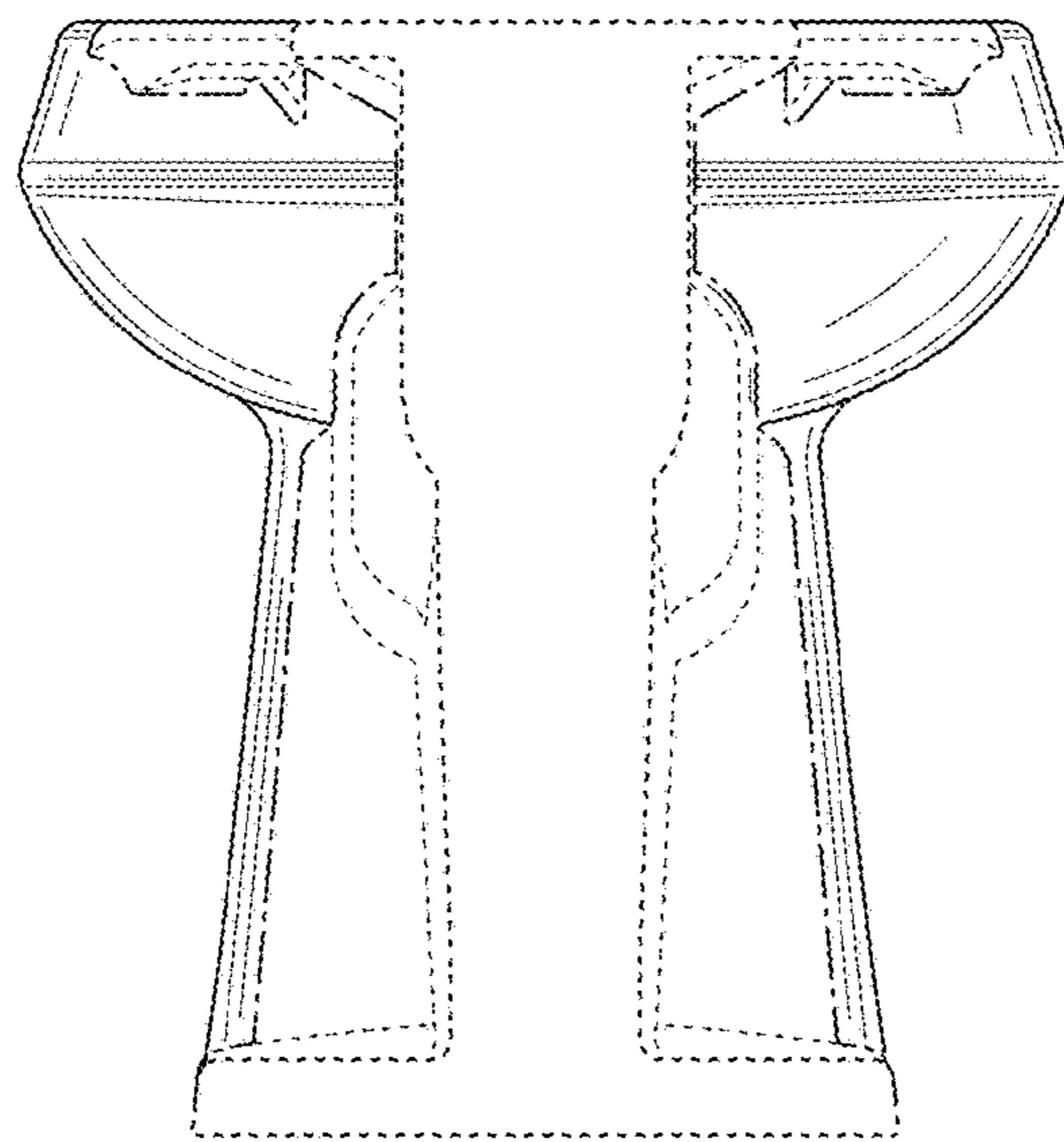


FIG. 5

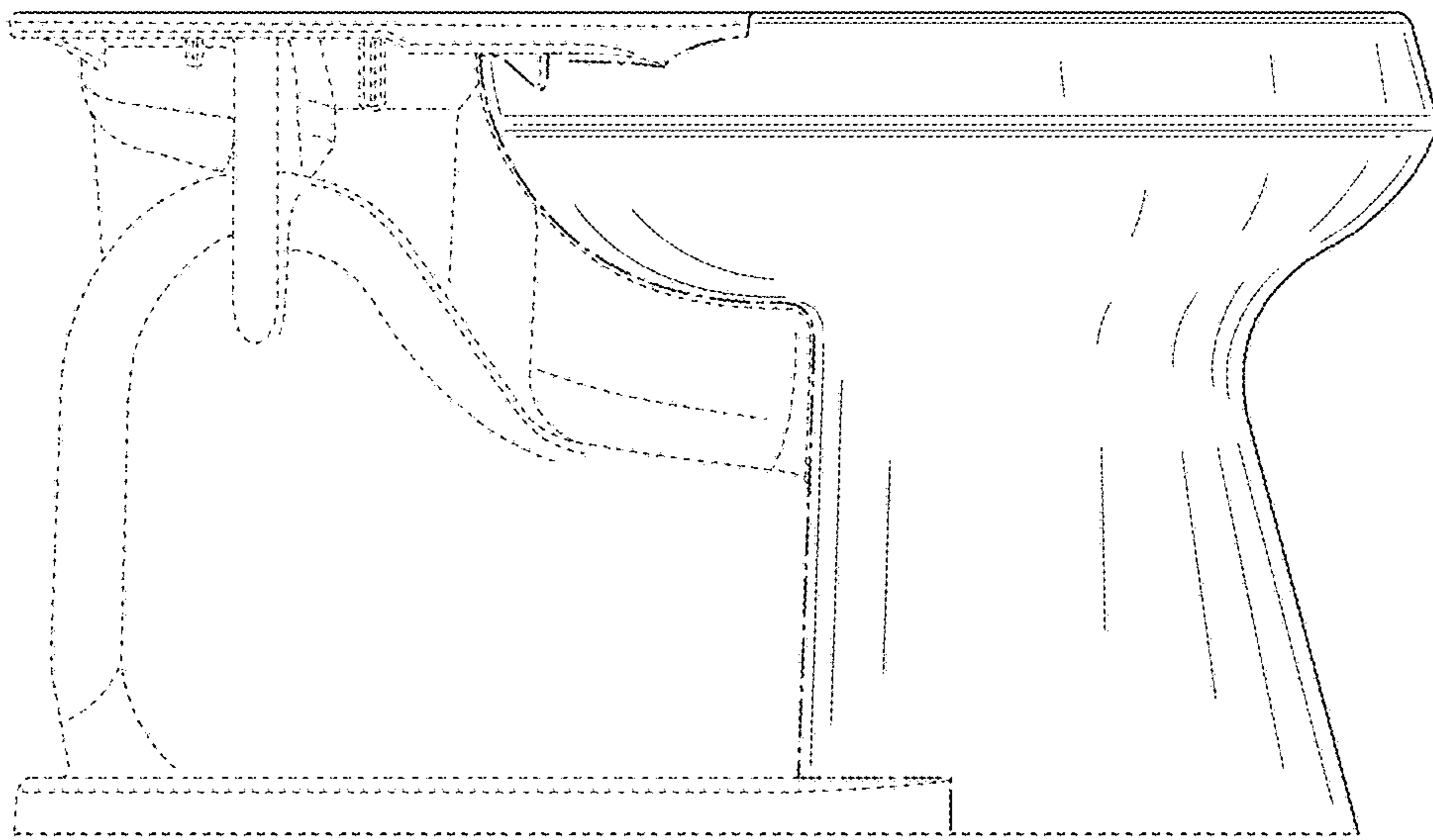


FIG. 6



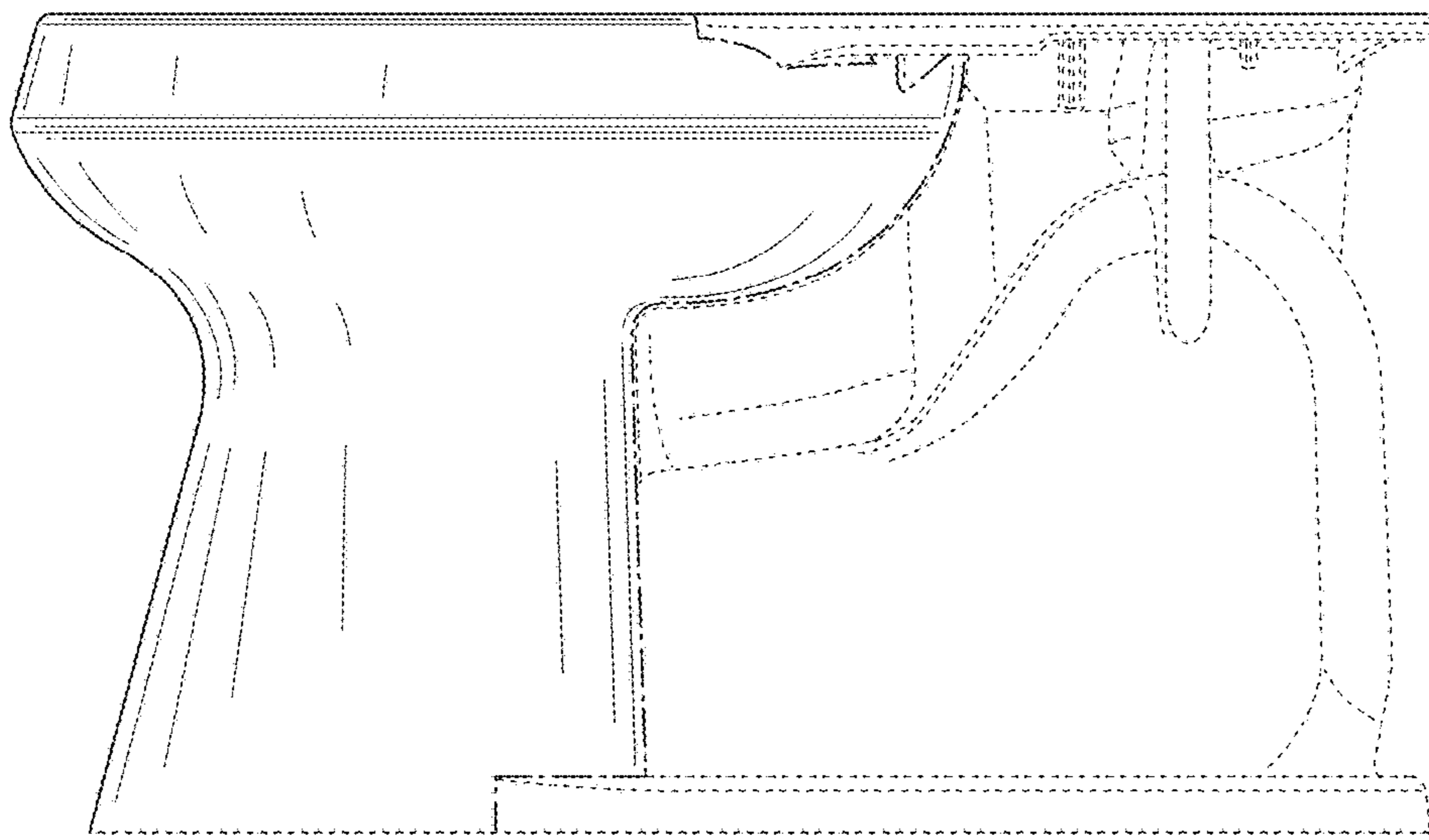


FIG. 7