



US00D863515S

(12) **United States Design Patent** (10) **Patent No.:** **US D863,515 S**  
**Rocandio Mazagatos** (45) **Date of Patent:** **\*\* Oct. 15, 2019**

(54) **SHOWER TRAY**

(71) Applicant: **FIORA BATH COLLECTIONS, S.L.U.**, Najera (La Rioja) (ES)

(72) Inventor: **Manuel Rocandio Mazagatos**, Najera (ES)

(73) Assignee: **FIORA BATH COLLECTIONS, S.L.U.**, Najera (La Rioja) (ES)

(\*\*) Term: **15 Years**

(21) Appl. No.: **29/649,548**

(22) Filed: **May 31, 2018**

**Related U.S. Application Data**

(62) Division of application No. 29/594,329, filed on Feb. 17, 2017, now Pat. No. Des. 836,758.

(51) **LOC (12) Cl.** ..... **23-02**

(52) **U.S. Cl.**  
USPC ..... **D23/304**

(58) **Field of Classification Search**  
USPC ... D23/277-279, 280.1, 280.2, 280.3, 280.4,  
D23/304-310

CPC ..... A47K 3/006; A47K 3/02; A47K 3/022;  
E05C 9/16

See application file for complete search history.

(56) **References Cited**

**U.S. PATENT DOCUMENTS**

D255,829 S \* 7/1980 Swenson ..... D23/283  
D539,394 S \* 3/2007 Luxton ..... A47K 3/40  
D23/283  
D731,630 S \* 6/2015 DeSocio ..... D23/304  
D813,361 S \* 3/2018 Krahn ..... D23/308

D836,758 S \* 12/2018 Rocandio Mazagatos .. D23/304  
2006/0213006 A1 \* 9/2006 Rush, Jr. .... A47K 3/40  
4/613  
2008/0222793 A1 \* 9/2008 Cook ..... A47K 3/40  
4/612  
2008/0222796 A1 \* 9/2008 Cook ..... A47K 3/40  
4/613  
2011/0088160 A1 \* 4/2011 Stimpson ..... A47K 3/40  
4/613  
2011/0197351 A1 \* 8/2011 Cook ..... A47K 3/40  
4/604

**OTHER PUBLICATIONS**

Saunex H25 Shower Tray Square [Mar. 29, 2019] reference found online [Mar. 29, 2019]—<https://saunex.com/product/h25-shower-tray-square-900x900-anti-slip/>.\*

\* cited by examiner

*Primary Examiner* — Lakiya G Rogers

*Assistant Examiner* — John A Voytek

(74) *Attorney, Agent, or Firm* — Lucas & Mercanti, LLP

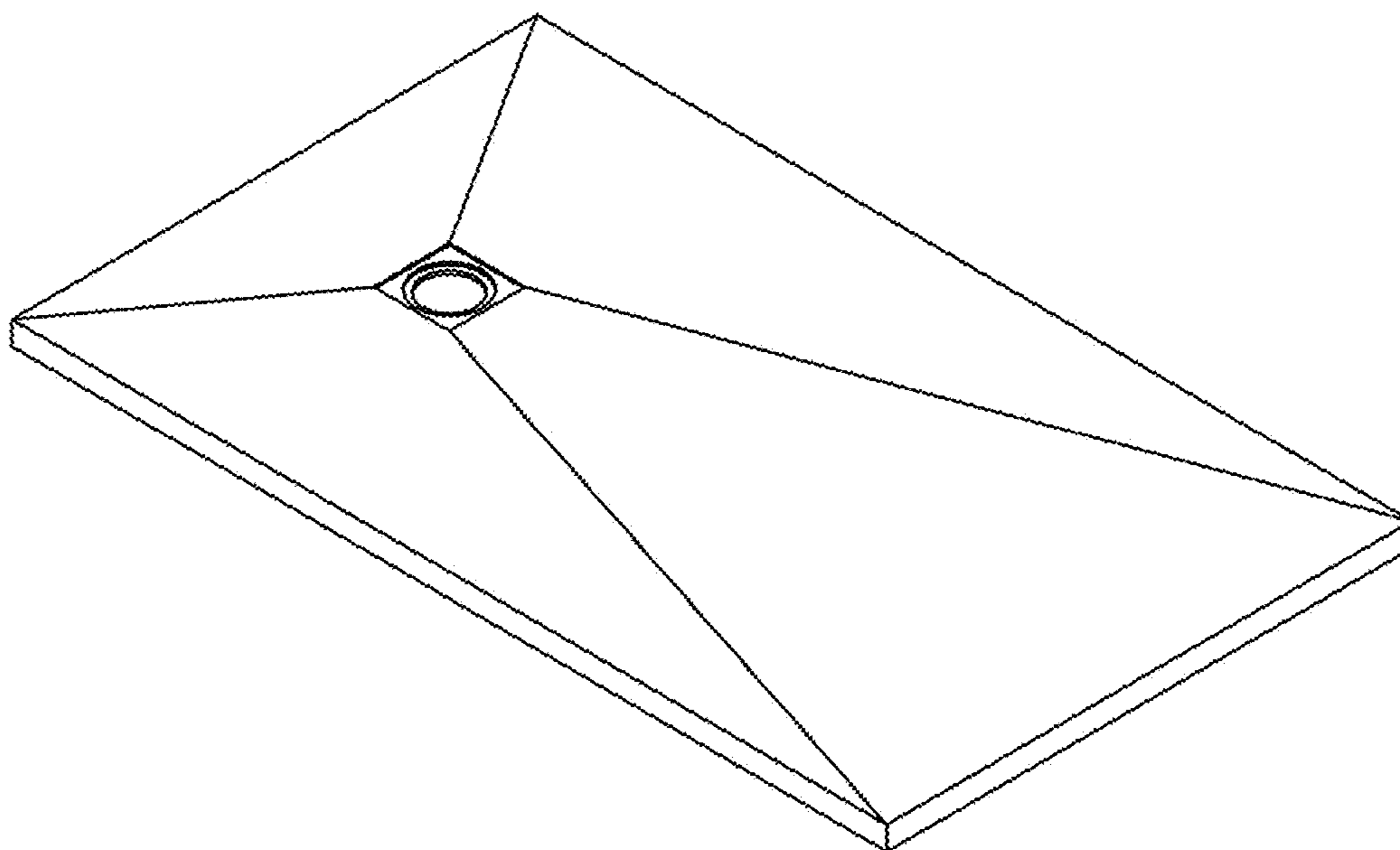
(57) **CLAIM**

The ornamental design for a shower tray, as shown and described.

**DESCRIPTION**

FIG. 1 is a front perspective view according to the design;  
FIG. 2 is a side view thereof;  
FIG. 3 is a top view thereof;  
FIG. 4 is another side view thereof;  
FIG. 5 is a side view opposite to the view of FIG. 2;  
FIG. 6 is a bottom view thereof; and,  
FIG. 7 is a side view opposite to the view of FIG. 4.

**1 Claim, 7 Drawing Sheets**



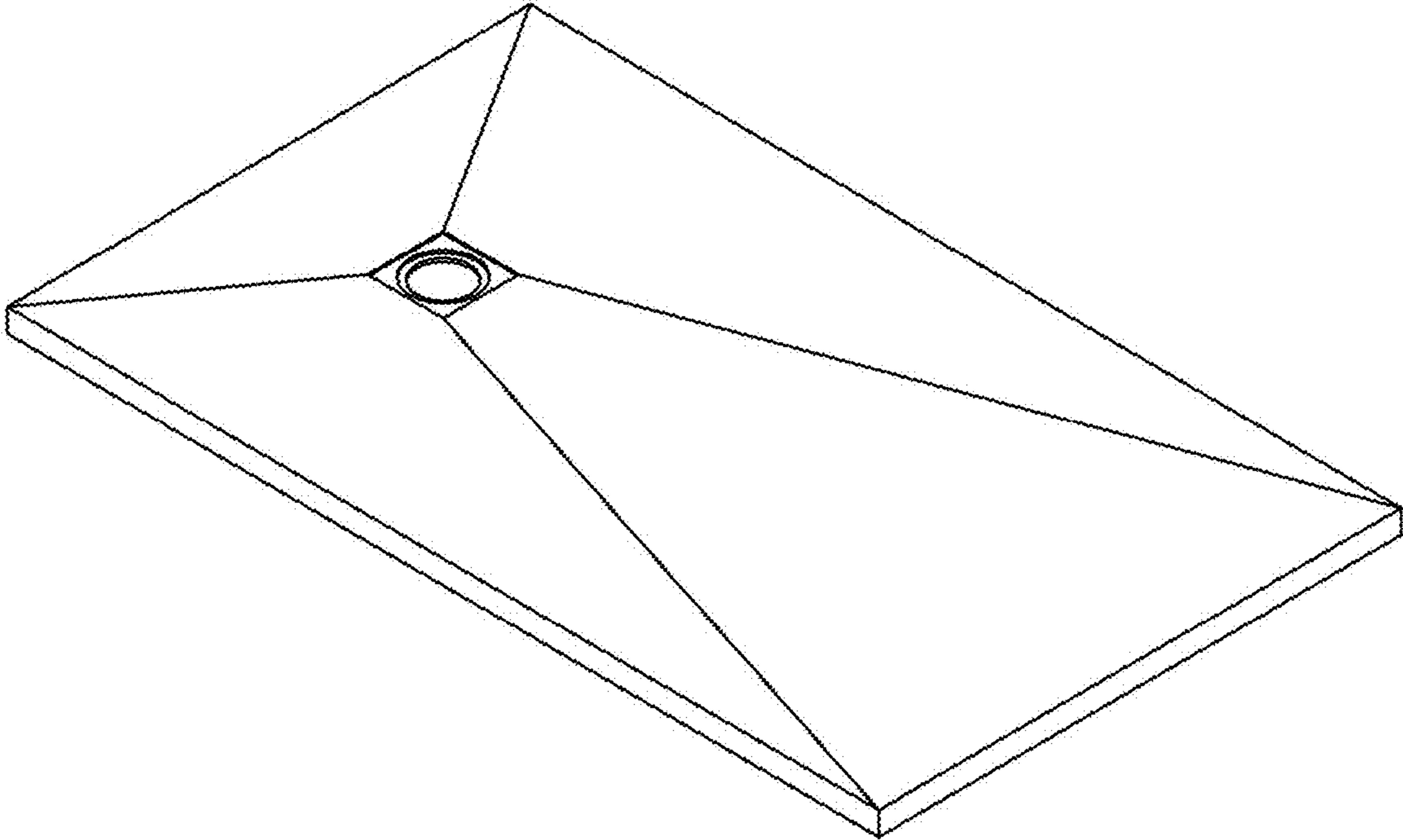


FIG. 1



FIG. 2

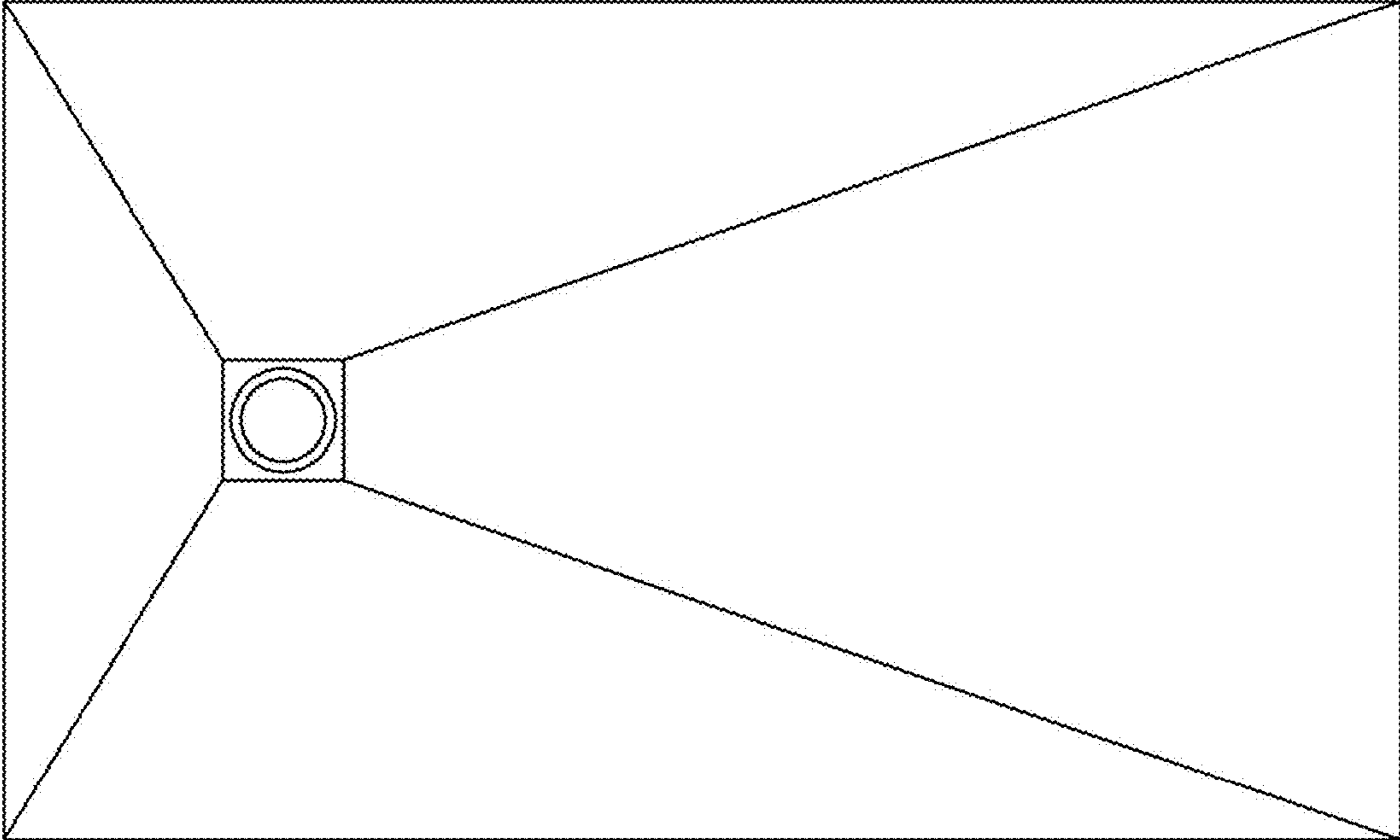


FIG. 3



FIG. 4



FIG. 5

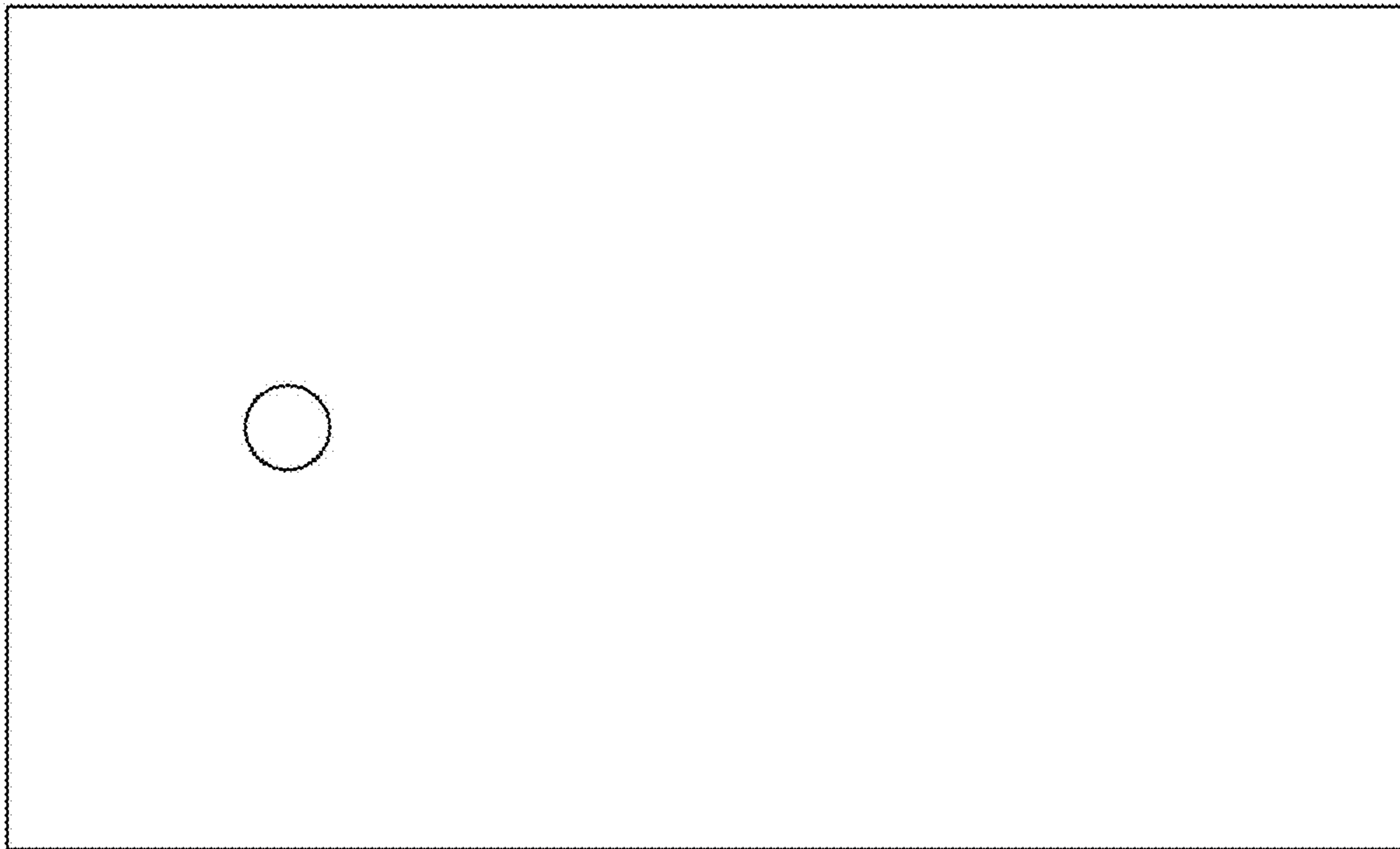


FIG. 6



FIG. 7