



US00D863514S

(12) **United States Design Patent**
Yang

(10) **Patent No.:** **US D863,514 S**
(45) **Date of Patent:** **** Oct. 15, 2019**

- (54) **FAUCET**
- (71) Applicant: **YU ZHAN INTERNATIONAL CO., LTD**, Taichung (TW)
- (72) Inventor: **Ya Hui Yang**, Taichung (TW)
- (73) Assignee: **Yu Zhan International Co., Ltd.**, Taichung (TW)
- (**) Term: **15 Years**
- (21) Appl. No.: **29/666,936**
- (22) Filed: **Oct. 17, 2018**
- (51) **LOC (12) Cl.** **23-01**
- (52) **U.S. Cl.**
USPC **D23/257**
- (58) **Field of Classification Search**
USPC D23/238, 241–243, 249, 255, 257
See application file for complete search history.

- 7,080,821 B1 * 7/2006 Su F16K 27/06
251/288
- D612,460 S * 3/2010 Yang D23/257
- D710,976 S * 8/2014 Huang D23/255
- D801,482 S * 10/2017 Antoine D23/245
- 10,018,283 B2 * 7/2018 Yang F16K 31/602

* cited by examiner

Primary Examiner — Robert A Delehanty

(74) *Attorney, Agent, or Firm* — C. G. Mersereau; DeWitt LLP

(57) **CLAIM**

The ornamental design for a faucet, as shown and described.

DESCRIPTION

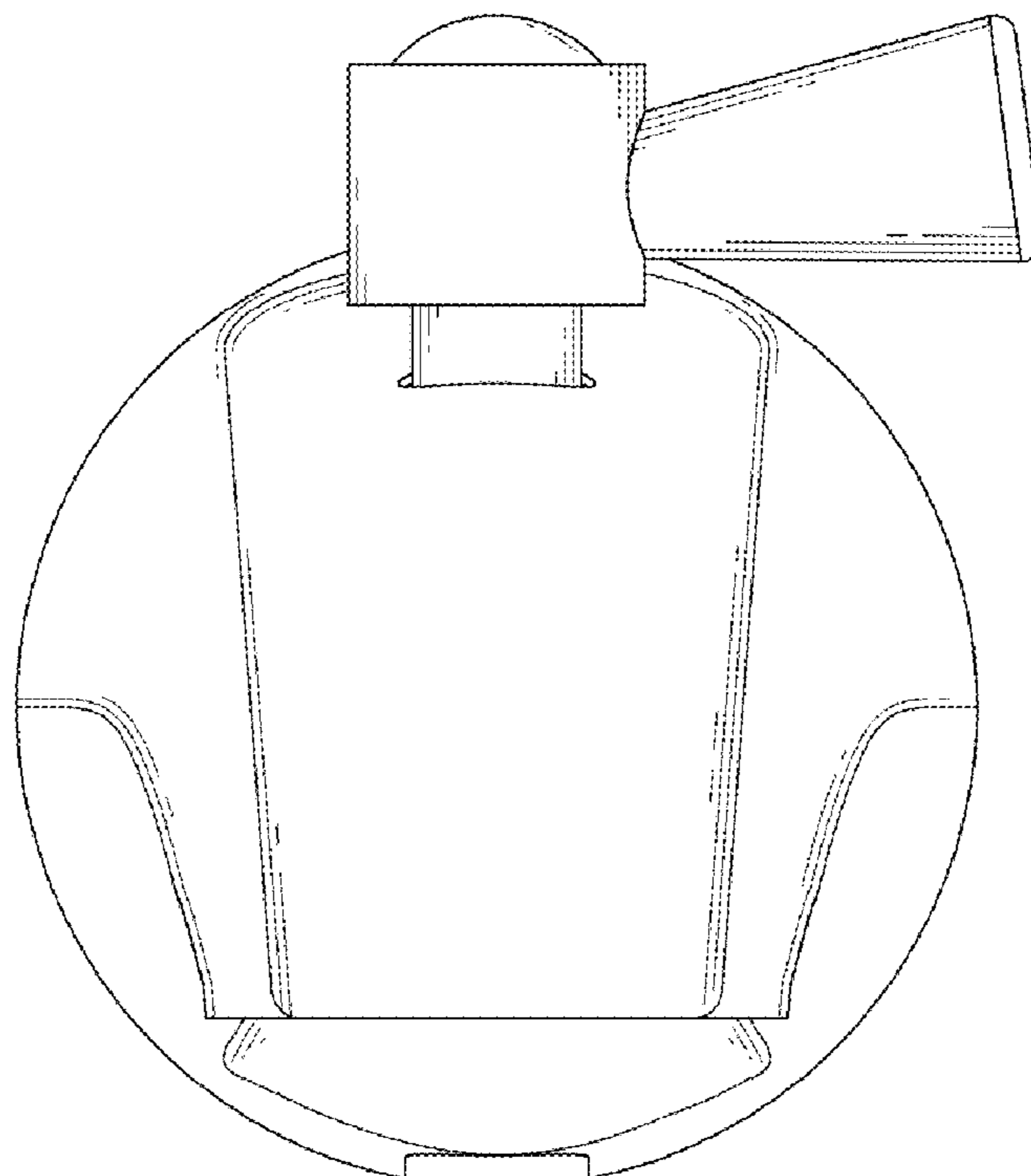
FIG. 1 is a perspective view of a faucet showing my new design;
 FIG. 2 is a front elevational view thereof;
 FIG. 3 is a rear elevational view thereof;
 FIG. 4 is a left side elevation view thereof;
 FIG. 5 is a right side elevation view thereof;
 FIG. 6 is a top plan view thereof; and,
 FIG. 7 is a bottom plan view thereof.

1 Claim, 7 Drawing Sheets

(56) **References Cited**

U.S. PATENT DOCUMENTS

- D366,100 S * 1/1996 Doughty D23/255
- 6,175,972 B1 * 1/2001 Wales E03C 1/042
4/678



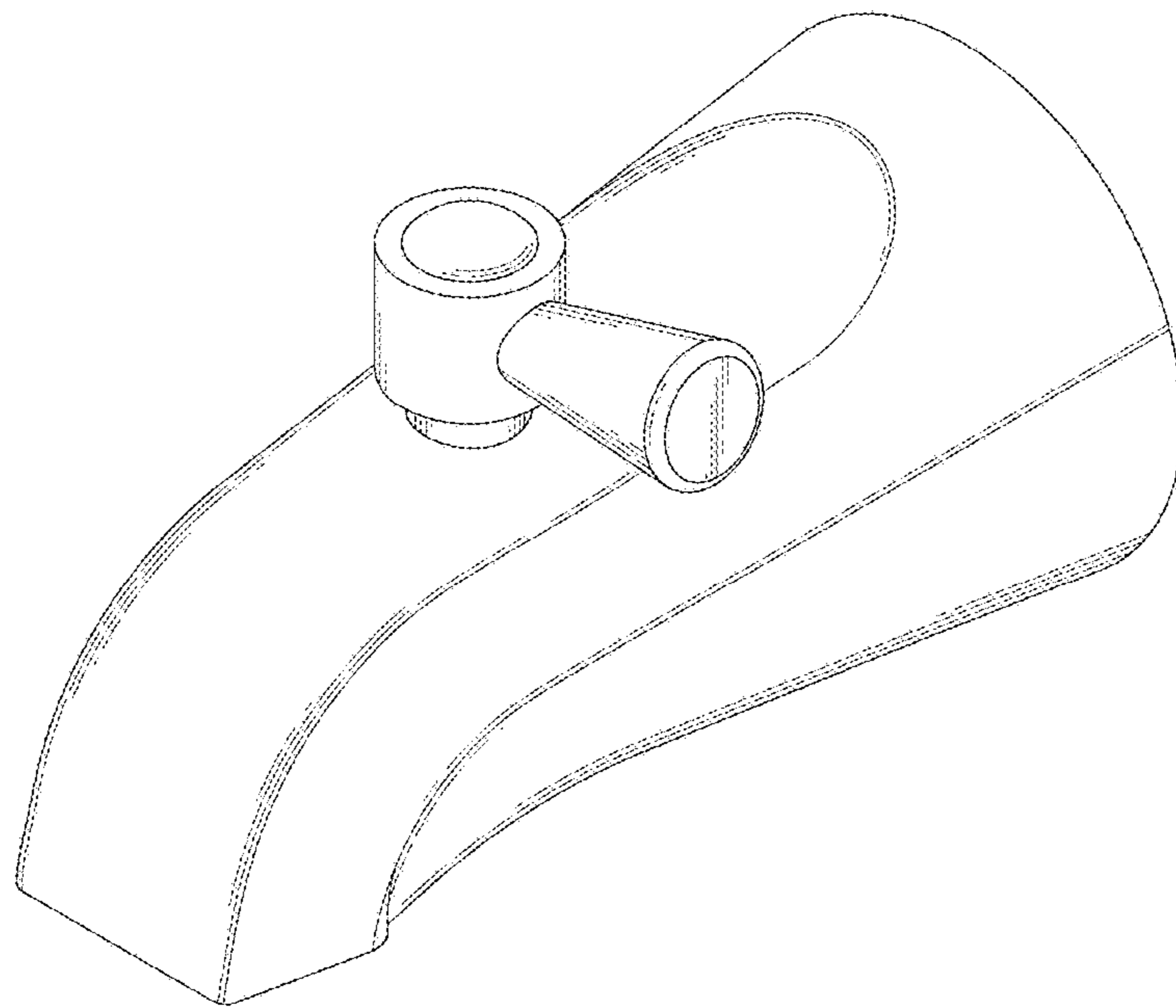


FIG. 1

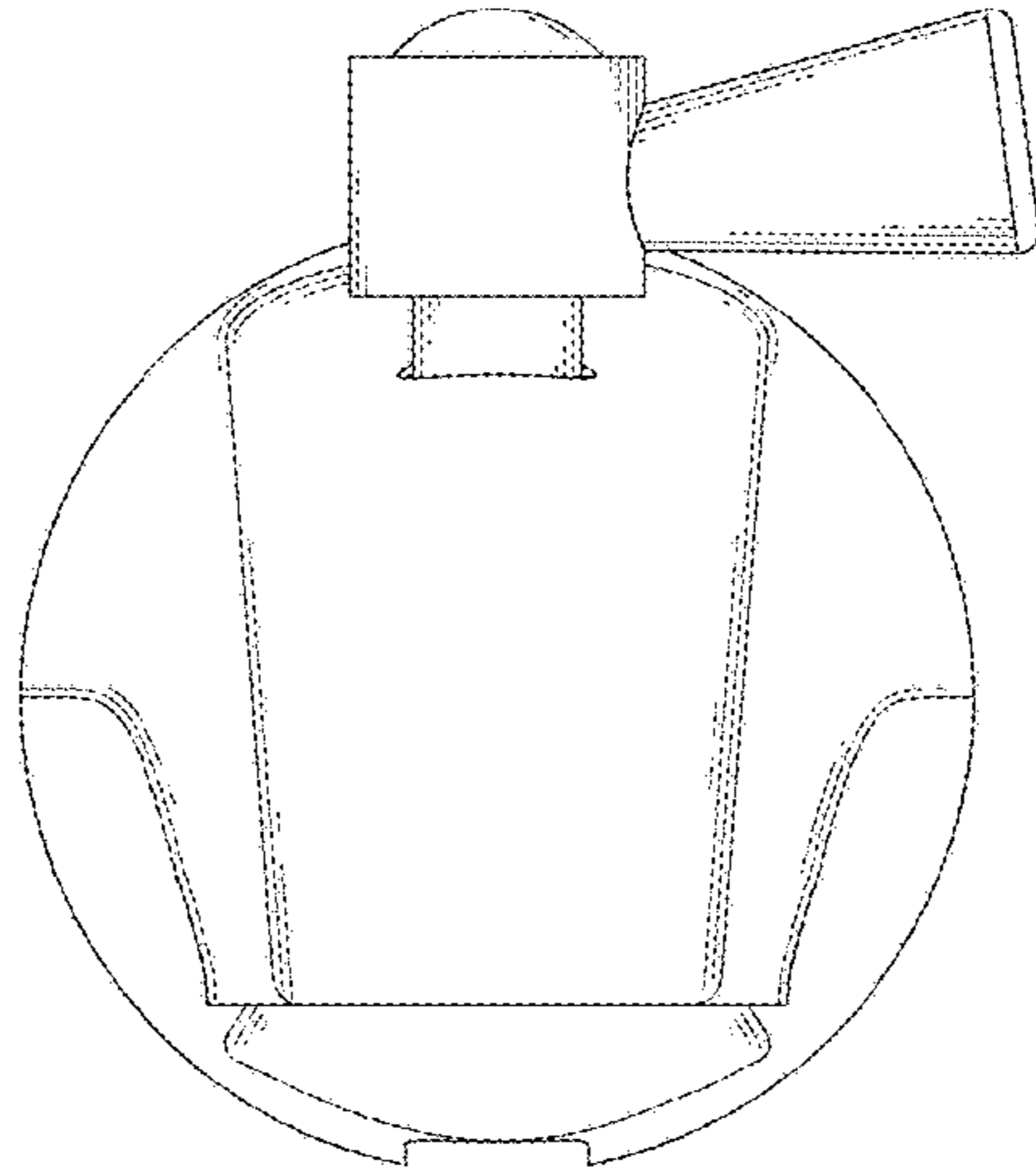


FIG. 2

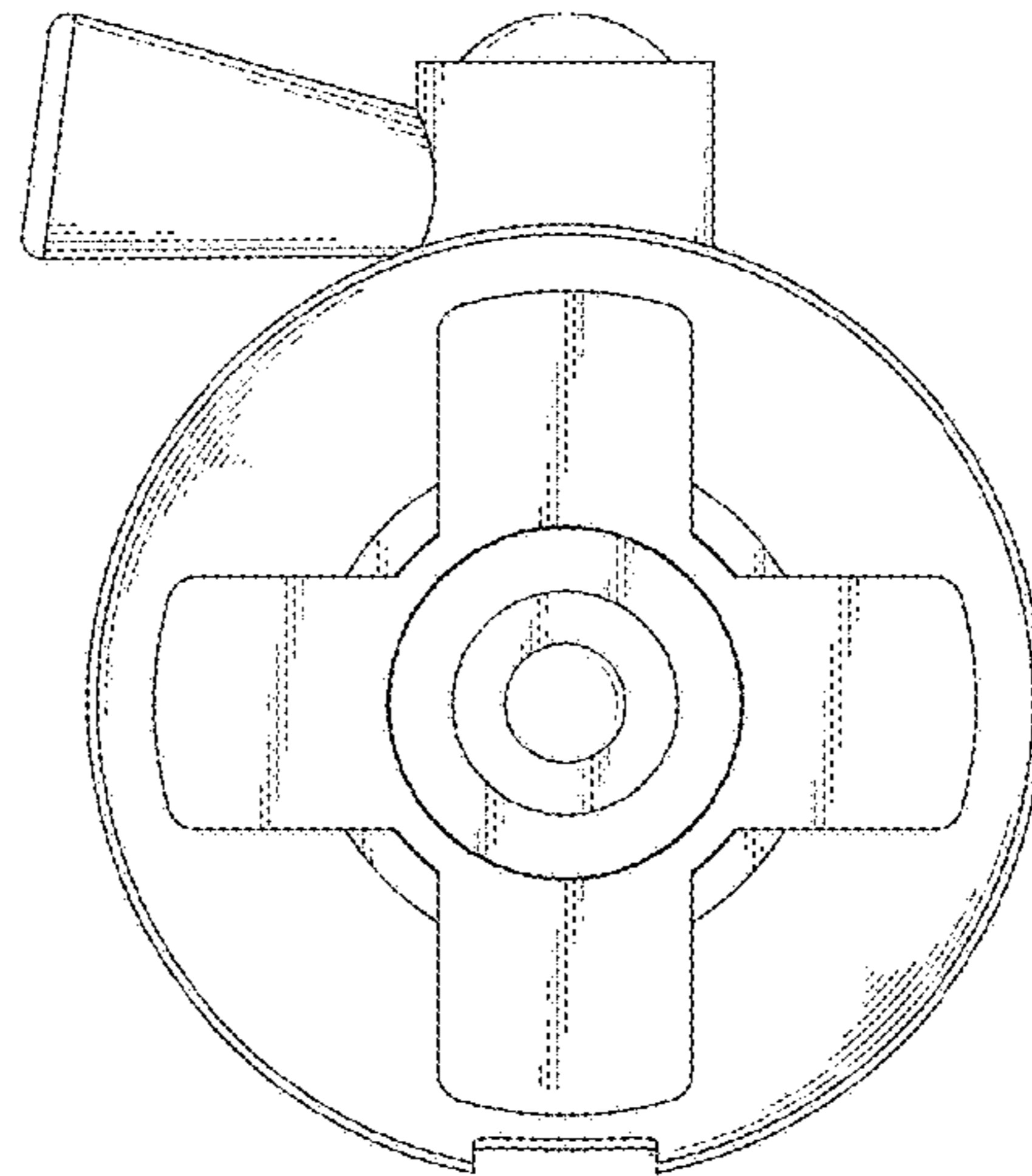


FIG. 3

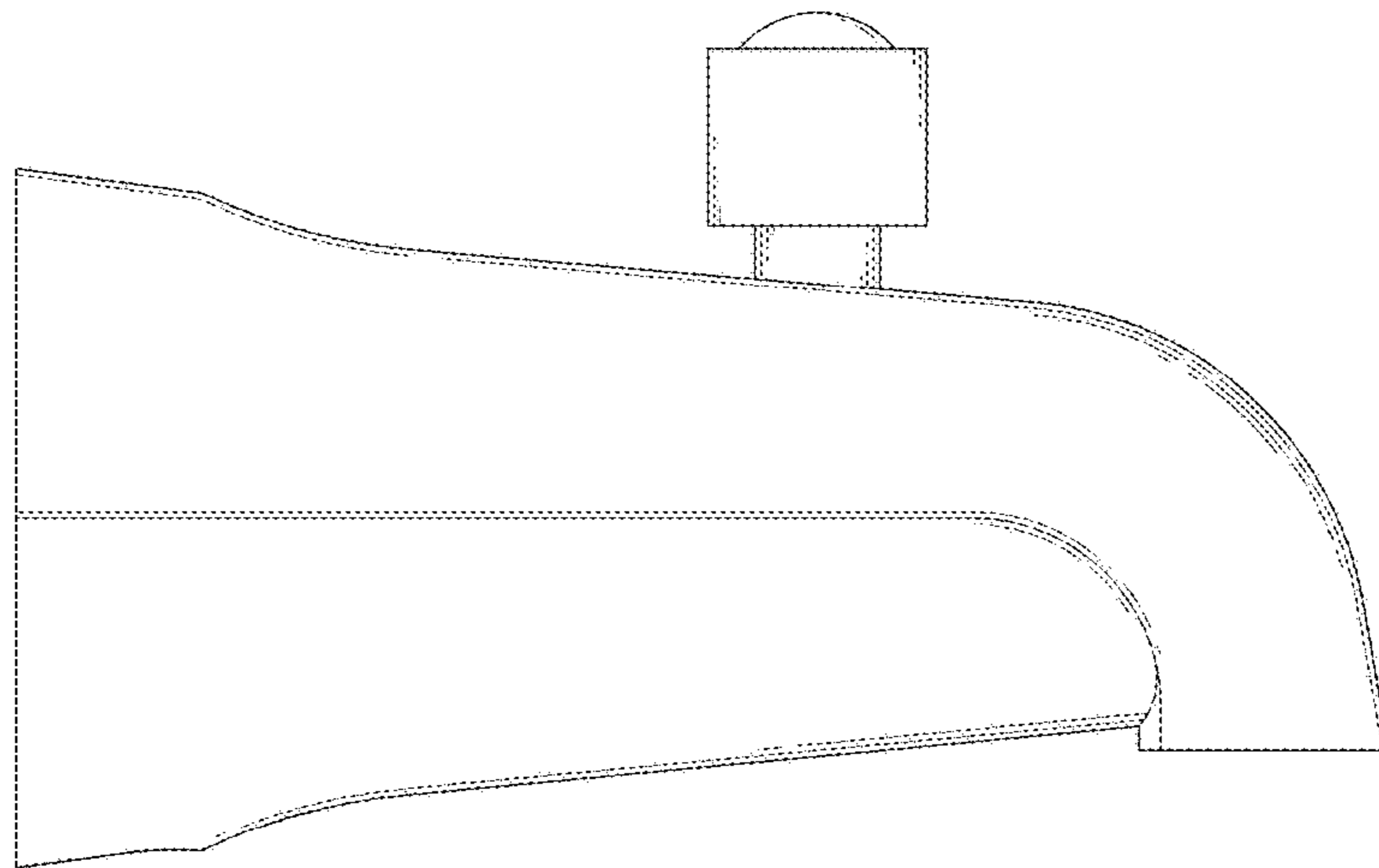


FIG. 4

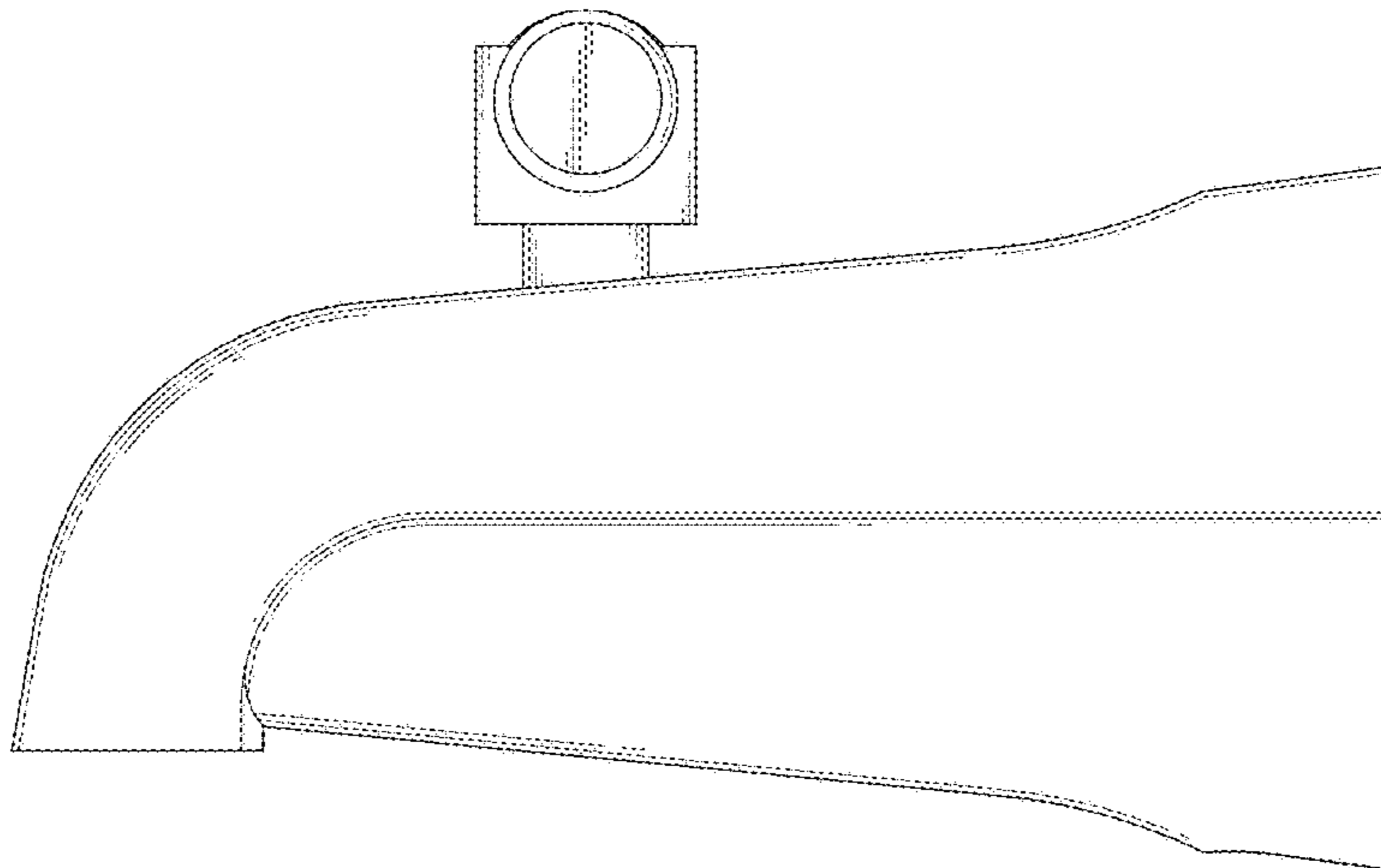


FIG. 5

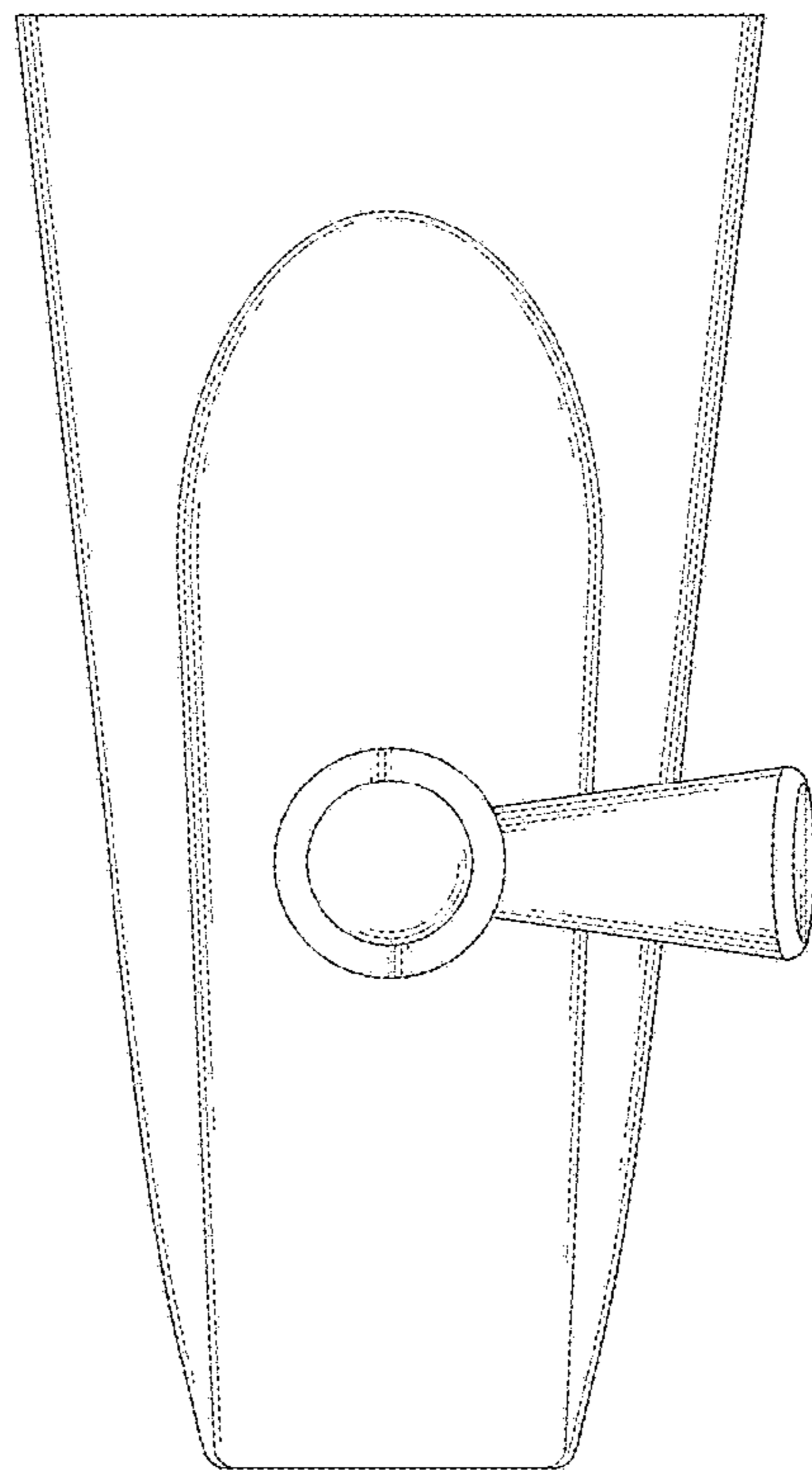


FIG. 6

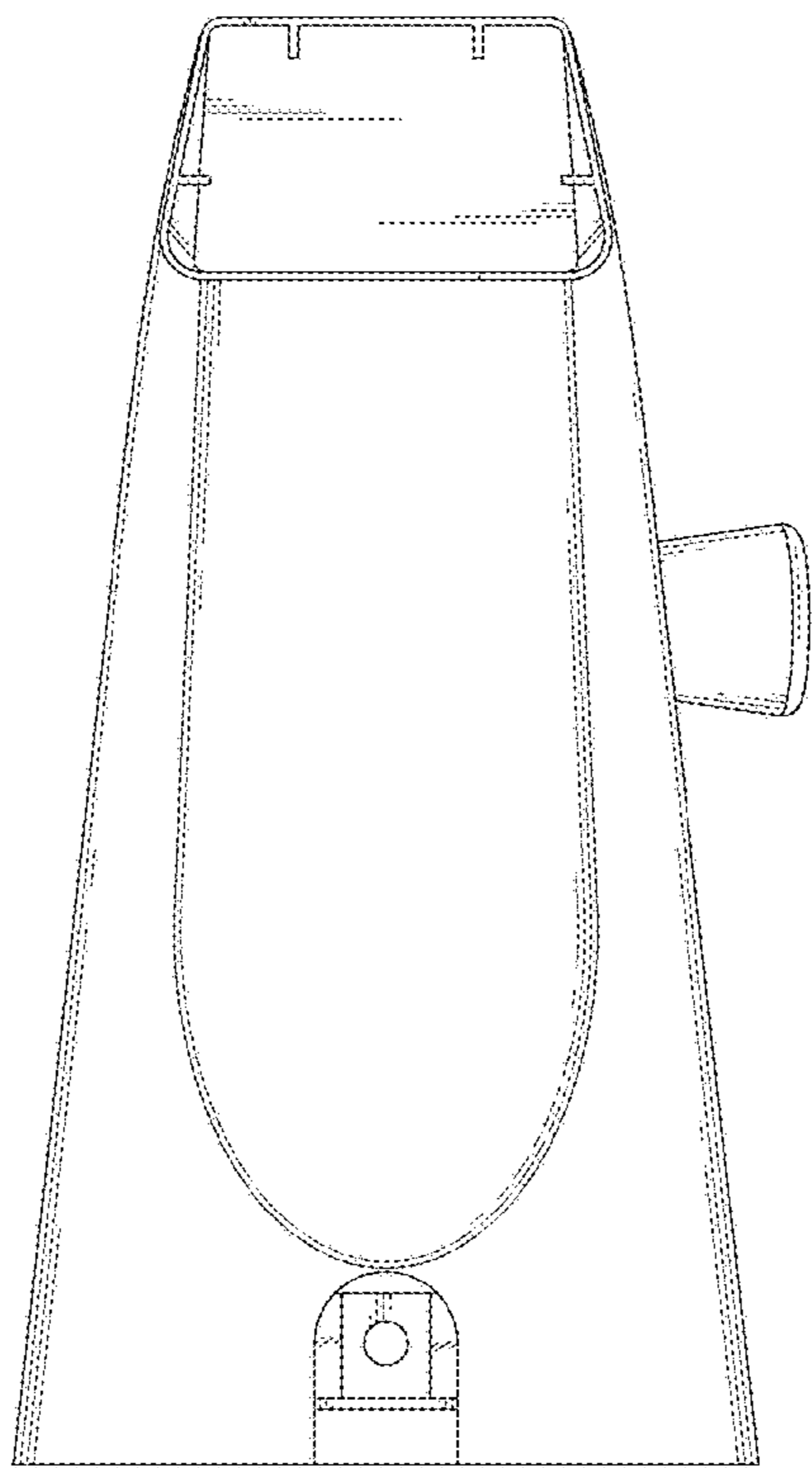


FIG. 7