



US00D863509S

(12) **United States Design Patent** (10) **Patent No.:** **US D863,509 S**
Rockwell (45) **Date of Patent:** **** Oct. 15, 2019**

(54) **HANDLE FOR A FAUCET**
(71) Applicant: **GESSI S.P.A.**, Serravalle Sesia (IT)
(72) Inventor: **David Rockwell**, New York, NY (US)
(73) Assignee: **GESSI S.P.A.**, Serravalle Sesia (VC)
(IT)
(**) Term: **15 Years**

D533,639 S * 12/2006 Hoernig D23/242
D647,600 S * 10/2011 Liao D23/242
D674,051 S * 1/2013 Uhl D23/242
D734,837 S * 7/2015 Sieger D23/242
D767,731 S * 9/2016 Rexach D23/252
D776,792 S * 1/2017 Neumayr D23/242
D797,248 S * 9/2017 Schaubach D23/242
D801,483 S * 10/2017 Neumayr D23/242
D820,403 S * 6/2018 Garland D23/239
D823,439 S * 7/2018 Sieger D23/242

(21) Appl. No.: **35/504,205**
(22) Filed: **Jun. 28, 2017**

(80) **Hague Agreement Data**
Int. Filing Date: **Jun. 28, 2017**
Int. Reg. No.: **DM/098080**
Int. Reg. Date: **Jun. 28, 2017**
Int. Reg. Pub. Date: **Dec. 29, 2017**

(30) **Foreign Application Priority Data**

Jan. 24, 2017 (IT) 402017000007582
(51) **LOC (12) Cl.** **23-01**
(52) **U.S. Cl.**
USPC **D23/242**
(58) **Field of Classification Search**
USPC D23/233, 238, 239, 241–243, 245,
D23/248–254, 255, 257; 261/DIG. 22;
239/428.5, 437
CPC E03C 1/04; E03C 1/0401; E03C 1/0402;
E03C 1/0404; E03C 1/0409
See application file for complete search history.

(56) **References Cited**

U.S. PATENT DOCUMENTS

D462,421 S * 9/2002 Hundley D23/252
D532,087 S * 11/2006 Citterio D23/252

OTHER PUBLICATIONS

Behance.com; “Inciso Collection: GESSI—Designed by Rockwell New York”; dated Jun. 8, 2017—[accessed online Apr. 14, 2019]; <https://www.behance.net/gallery/53572645/INCISO-TAPS-BY-GESSI-Designed-by-Rockwell-New-York>; 6p. (Year: 2017).*

* cited by examiner

Primary Examiner — Keli L Hill
(74) *Attorney, Agent, or Firm* — Underwood & Associates, LLC

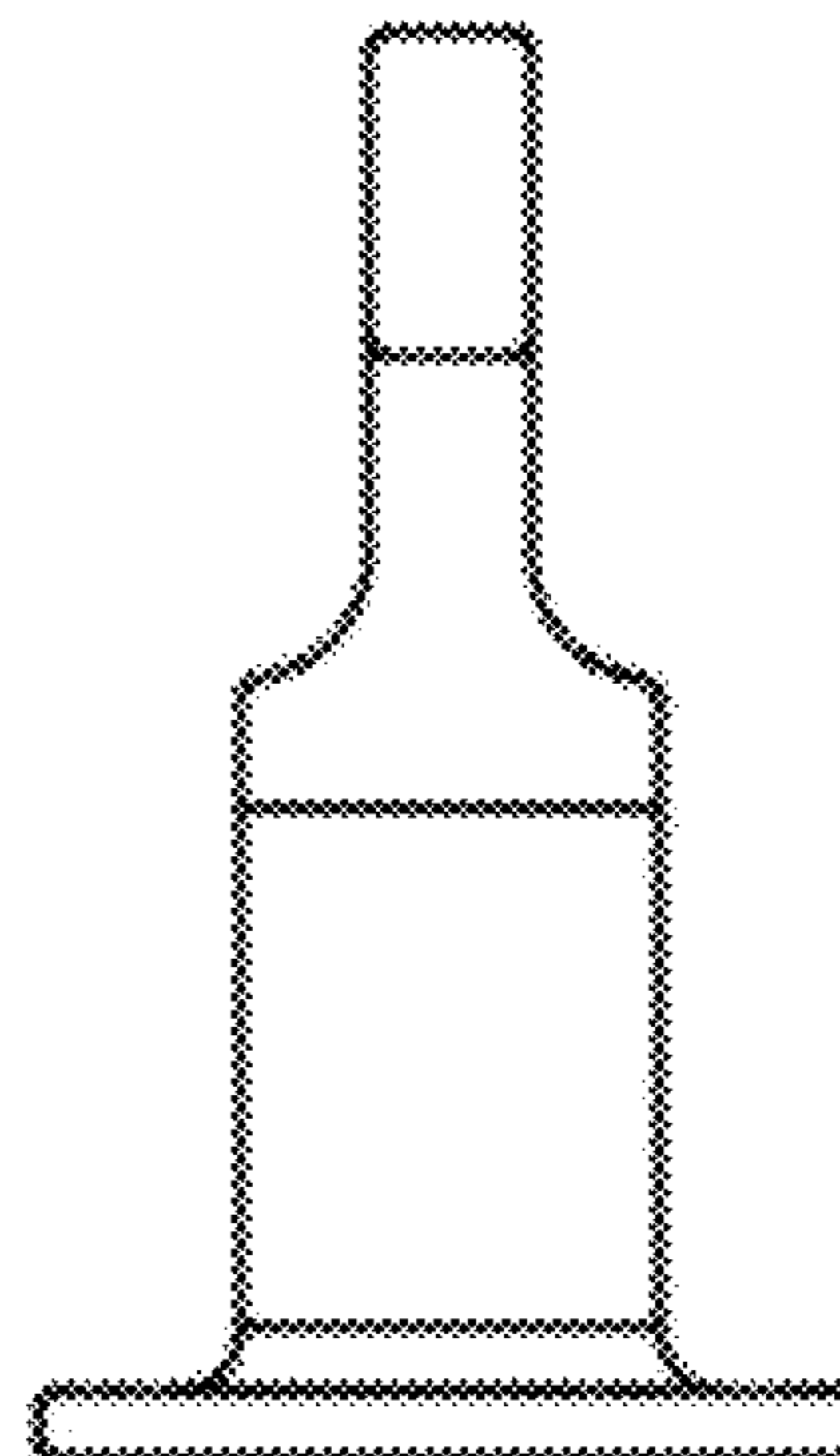
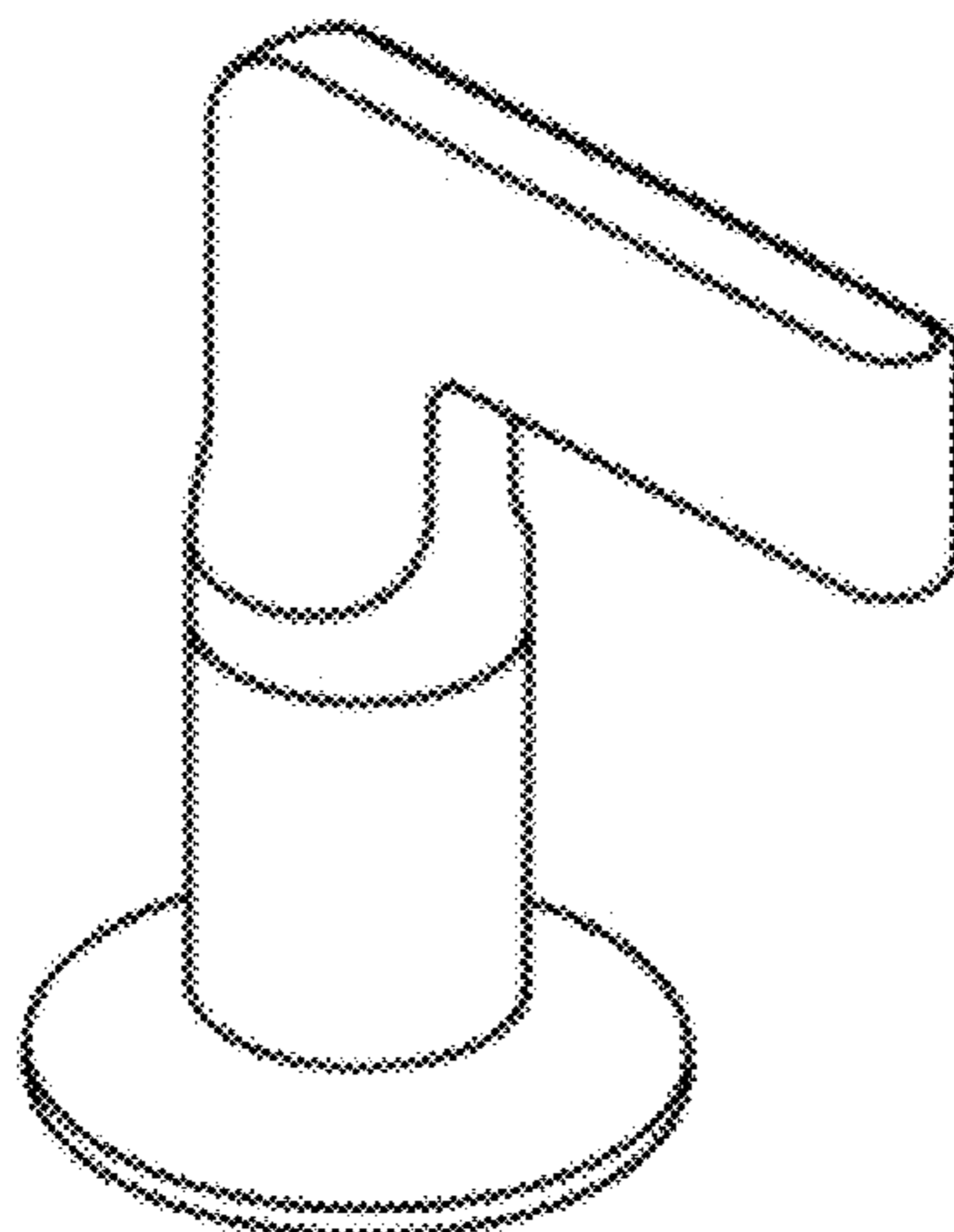
(57) **CLAIM**

The ornamental design for a handle for a faucet, as shown and described.

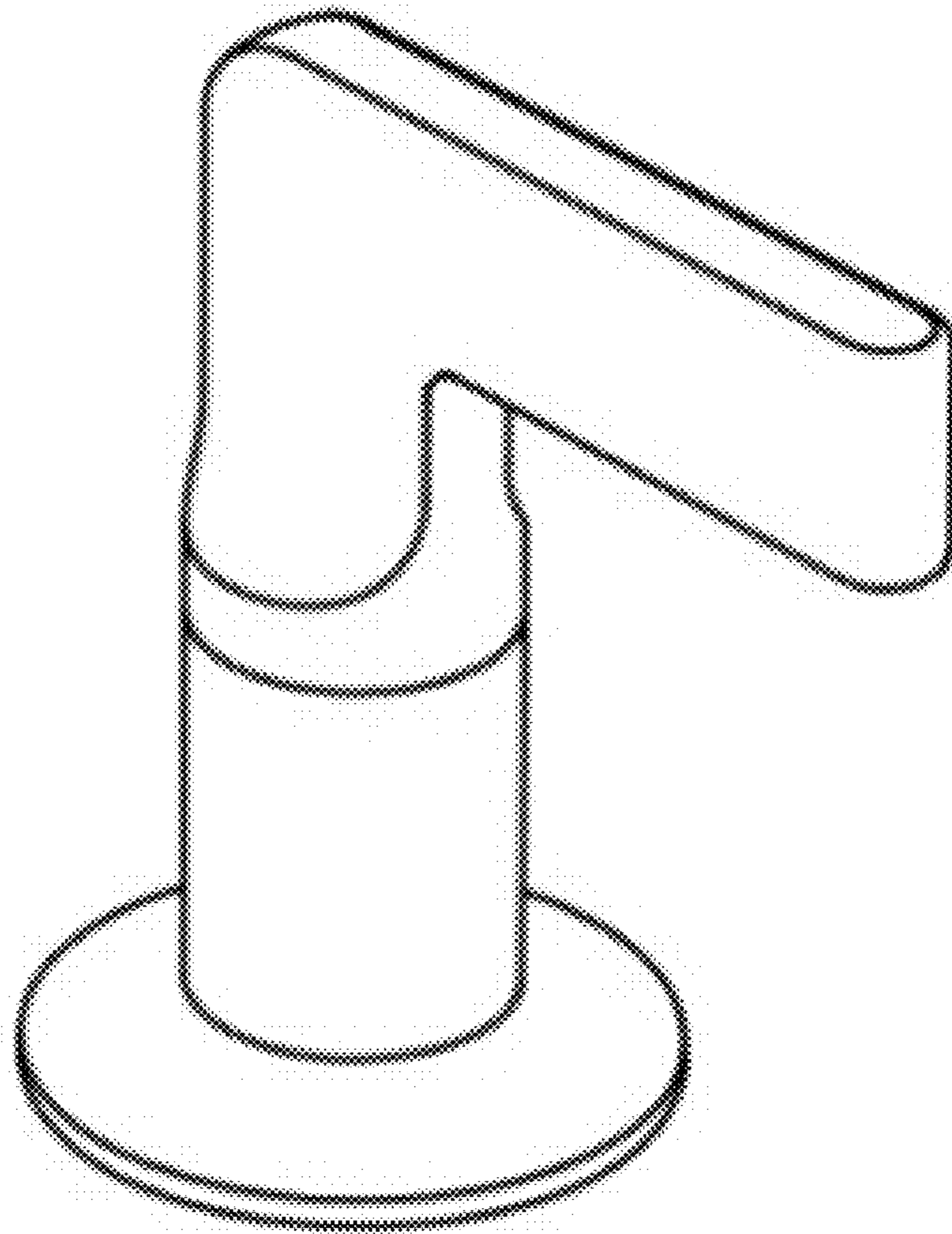
DESCRIPTION

2. Handle for faucet
2.1 : A perspective view of a handle for a faucet;
2.2 : A top plan view thereof;
2.3 : A bottom plan view thereof;
2.4 : A rear elevational view thereof;
2.5 : A front elevational view thereof;
2.6 : A right-side elevational view thereof; and
2.7 : A left-side elevational view thereof.

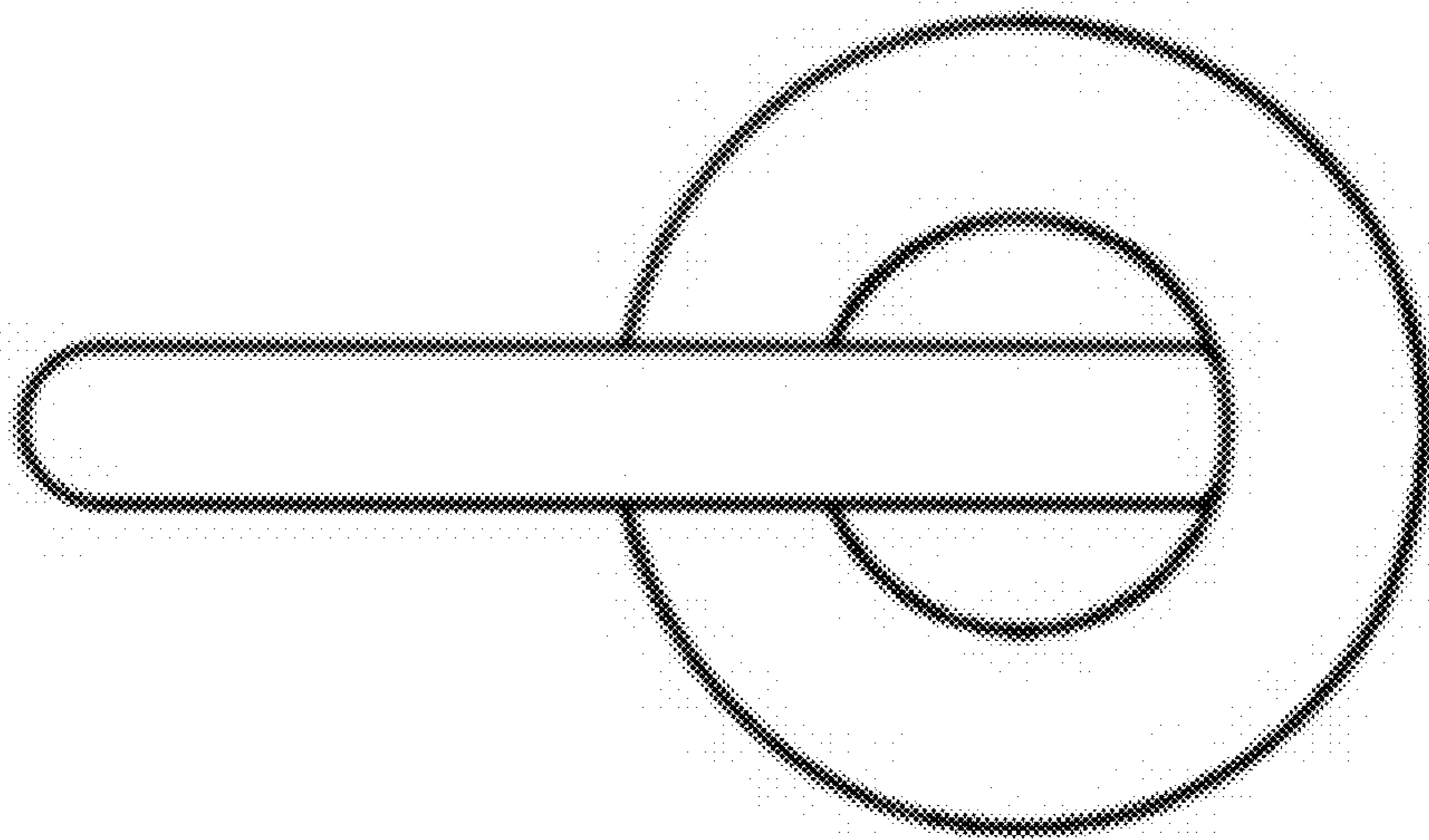
1 Claim, 7 Drawing Sheets



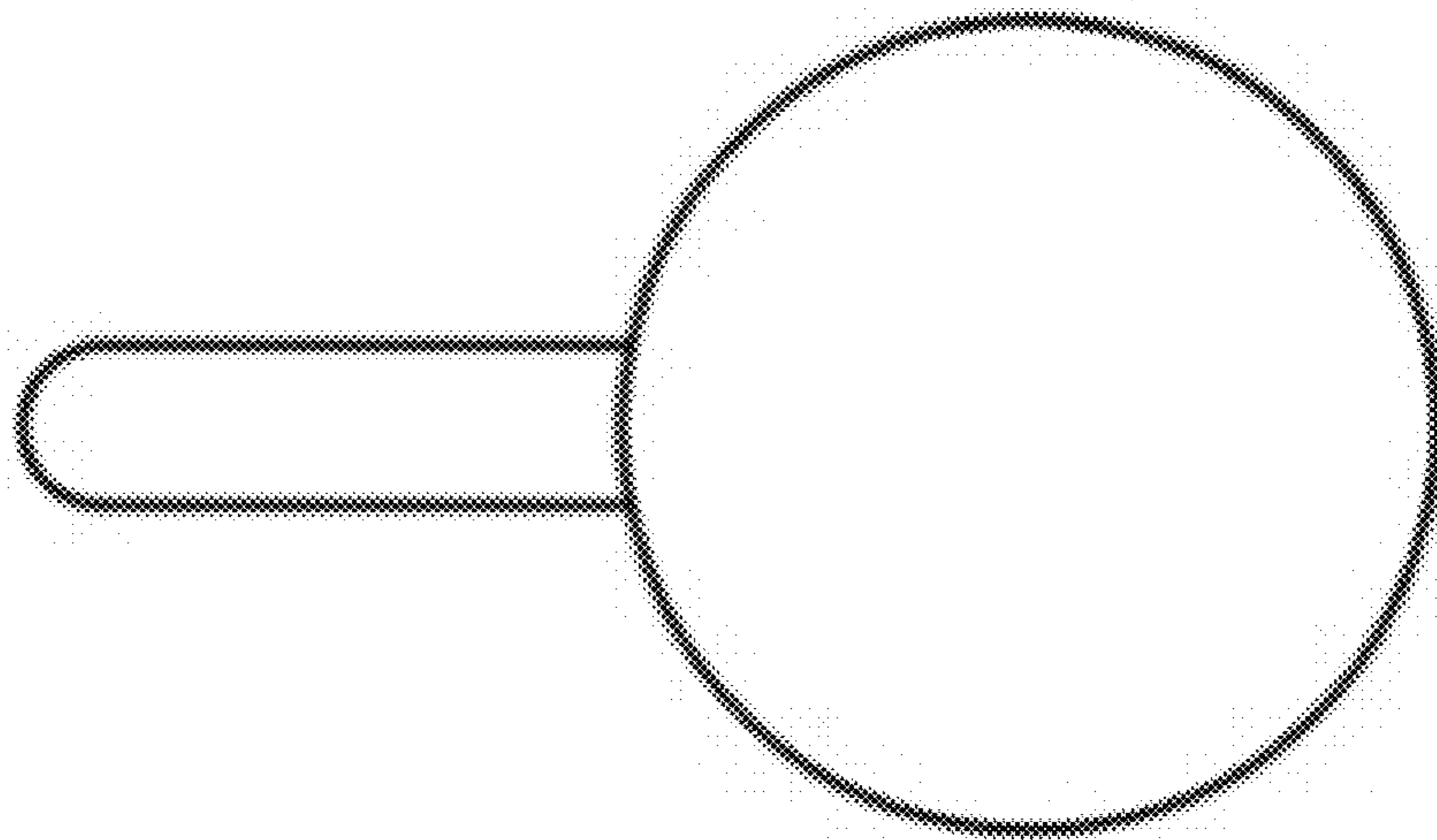
2.1



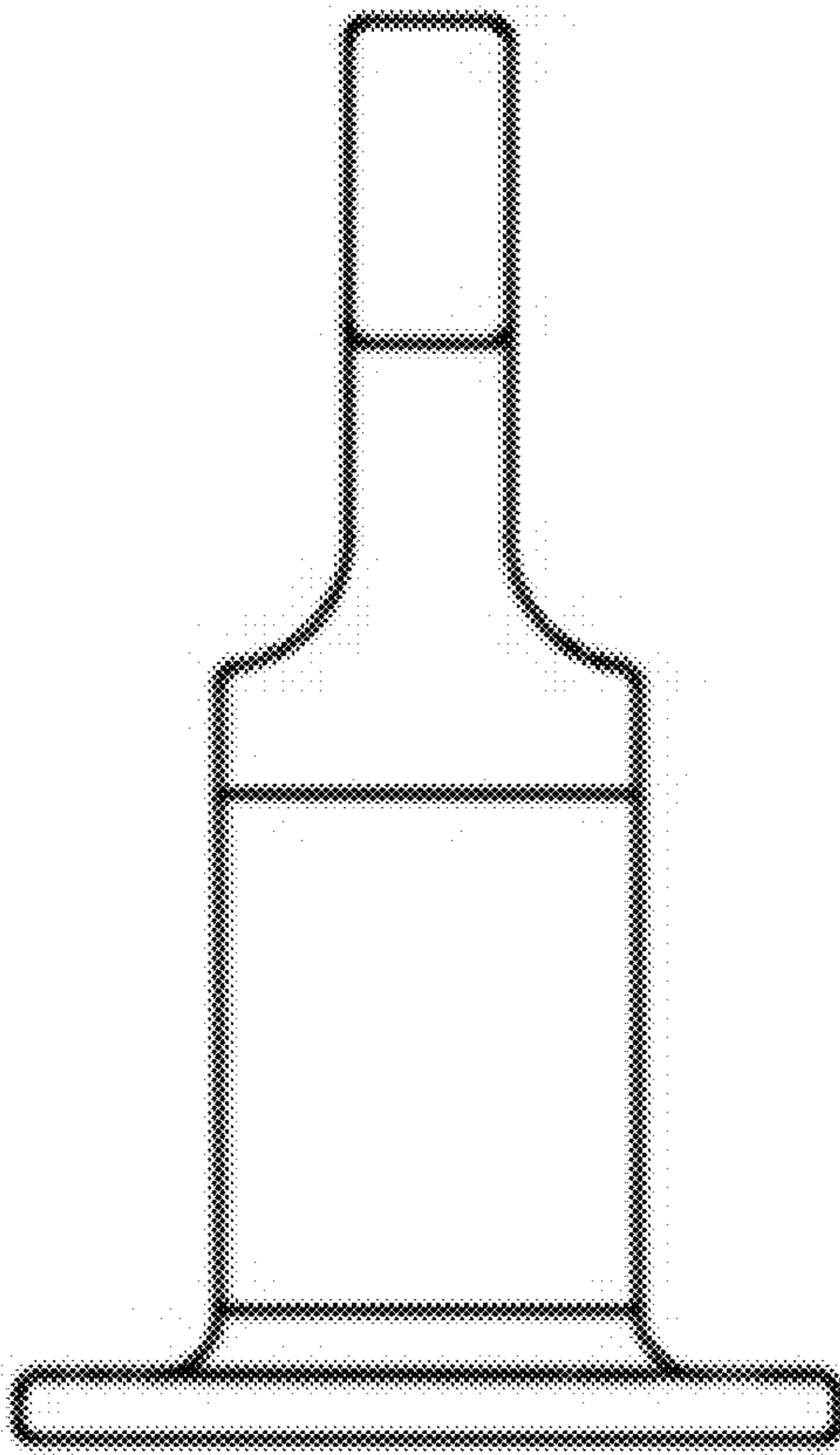
2.2



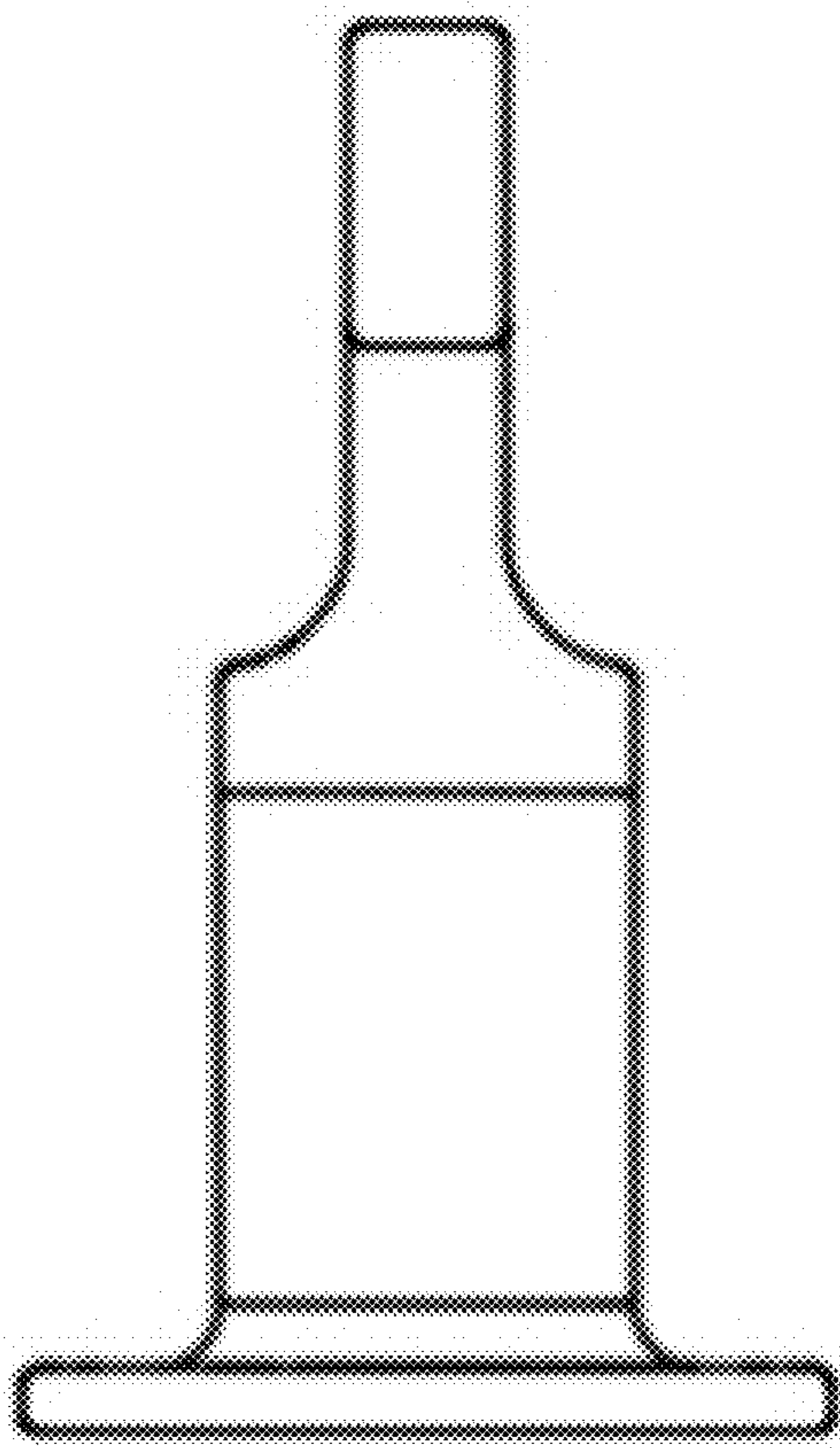
2.3



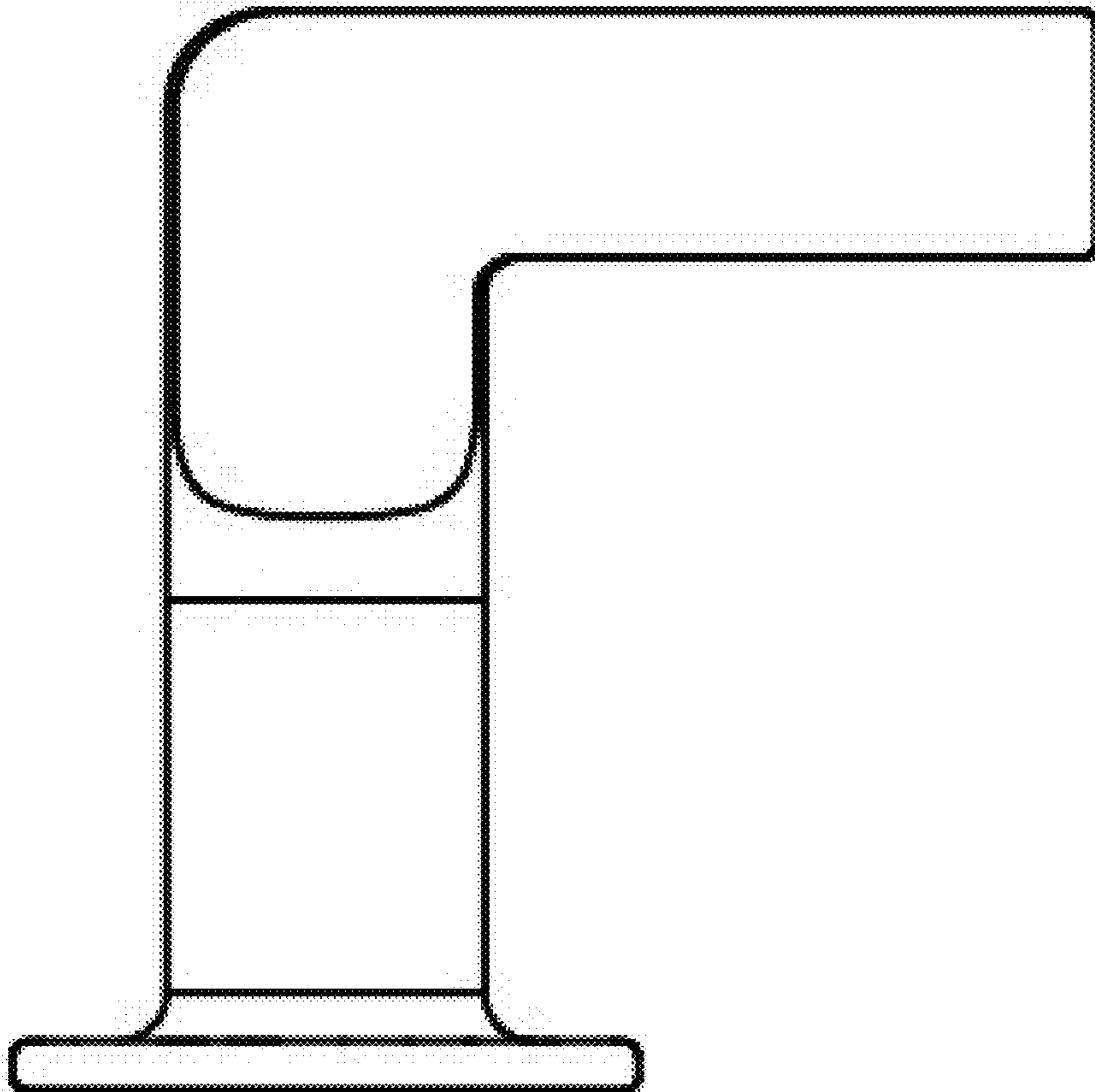
2.4



2.5



2.6



2.7

