



US00D863508S

(12) **United States Design Patent**  
**Fang**

(10) **Patent No.:** **US D863,508 S**

(45) **Date of Patent:** **\*\* Oct. 15, 2019**

(54) **WATER FAUCET**

(71) Applicant: **Xiaohua Fang**, Zhejiang (CN)

(72) Inventor: **Xiaohua Fang**, Zhejiang (CN)

(\*\*) Term: **15 Years**

(21) Appl. No.: **29/655,989**

(22) Filed: **Jul. 10, 2018**

(51) **LOC (12) Cl.** ..... **23-01**

(52) **U.S. Cl.**  
USPC ..... **D23/242**

(58) **Field of Classification Search**  
USPC ..... D23/238, 241–243, 255, 257, 252, 254;  
D8/307–308

CPC ..... F16K 31/60; F16K 31/602; F16K 31/605;  
F16K 31/607; E03C 1/0412

See application file for complete search history.

(56) **References Cited**

**U.S. PATENT DOCUMENTS**

D319,293 S \* 8/1991 Rosenbaum ..... D23/238  
D354,549 S \* 1/1995 Jans ..... D23/252

D362,899 S \* 10/1995 Jans ..... D23/242  
D379,215 S \* 5/1997 Gottwald ..... D23/252  
D390,922 S \* 2/1998 Oswaks ..... D23/252  
D663,806 S \* 7/2012 Su ..... D23/255

\* cited by examiner

*Primary Examiner* — Robert A Delehanty

(57) **CLAIM**

I claim the ornamental design for a water faucet, as shown and described.

**DESCRIPTION**

FIG. 1 is a perspective view of a water faucet showing my new design;

FIG. 2 is a front elevational view thereof;

FIG. 3 is a rear elevational view thereof;

FIG. 4 is a left side elevational view thereof;

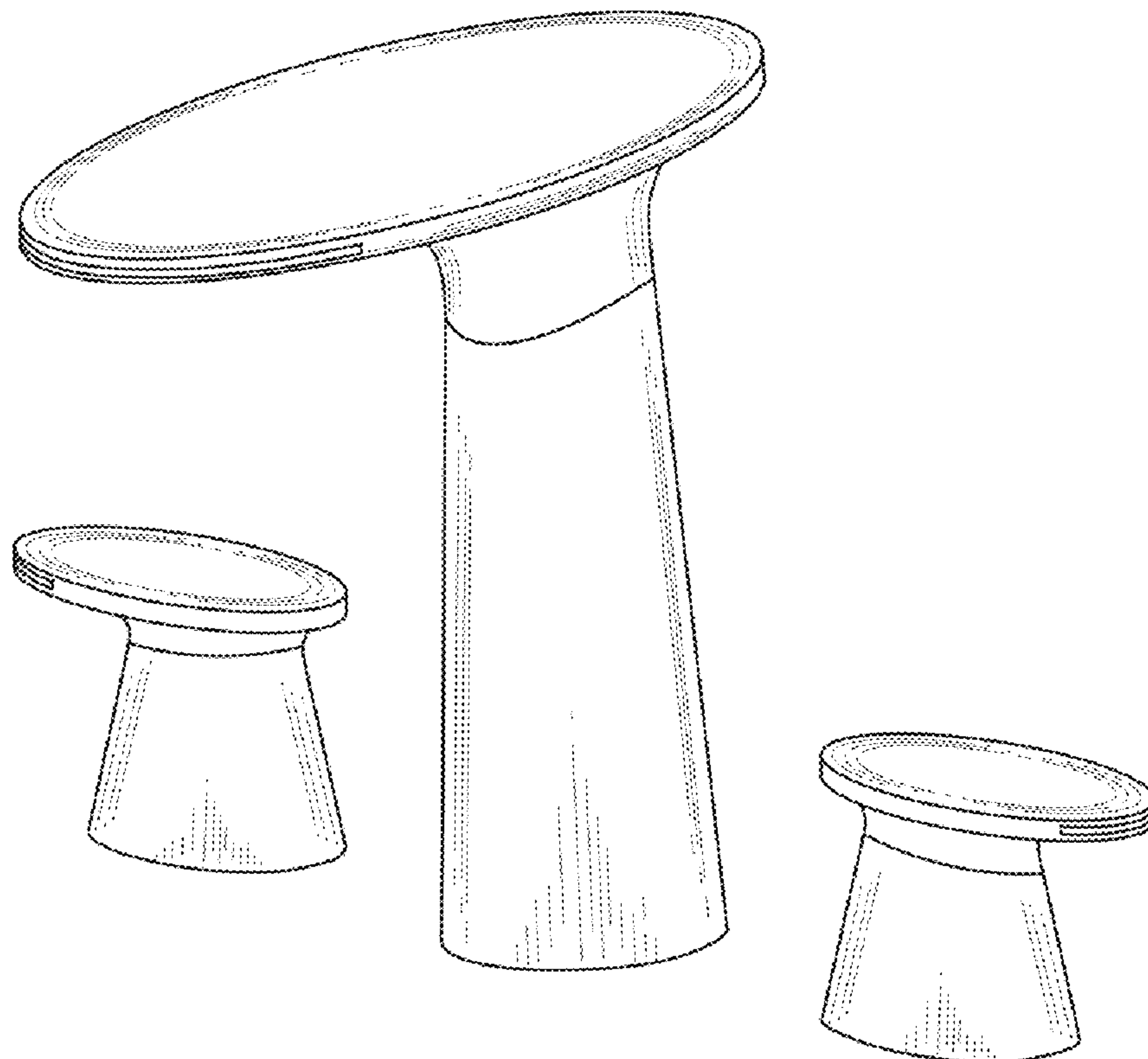
FIG. 5 is a right side elevational view thereof;

FIG. 6 is a top plan view thereof; and,

FIG. 7 is a bottom plan view thereof.

The water faucet is shown in broken lines for illustrative purposes only and forms no part of the claimed design.

**1 Claim, 7 Drawing Sheets**



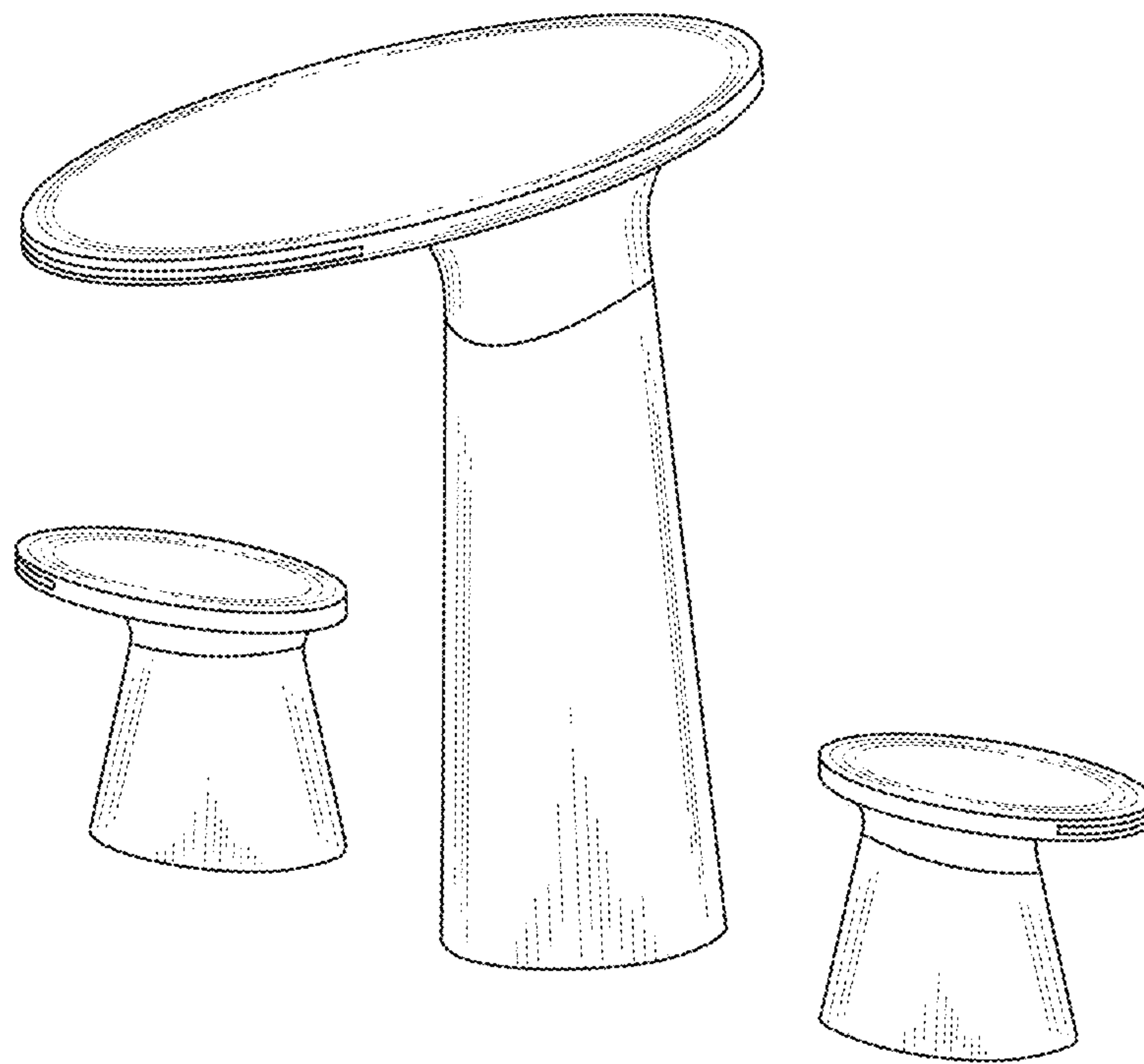


FIG.1

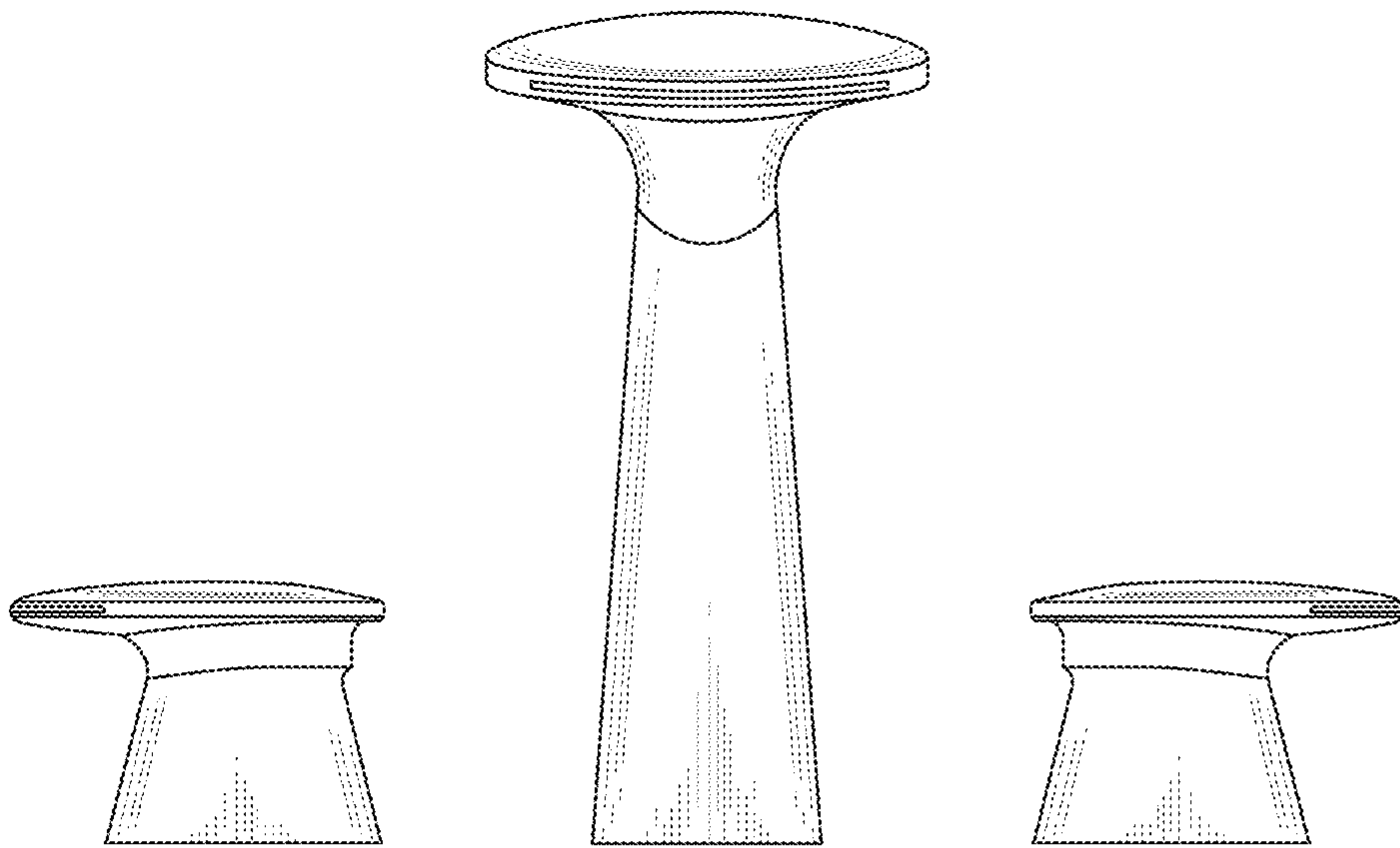


FIG.2

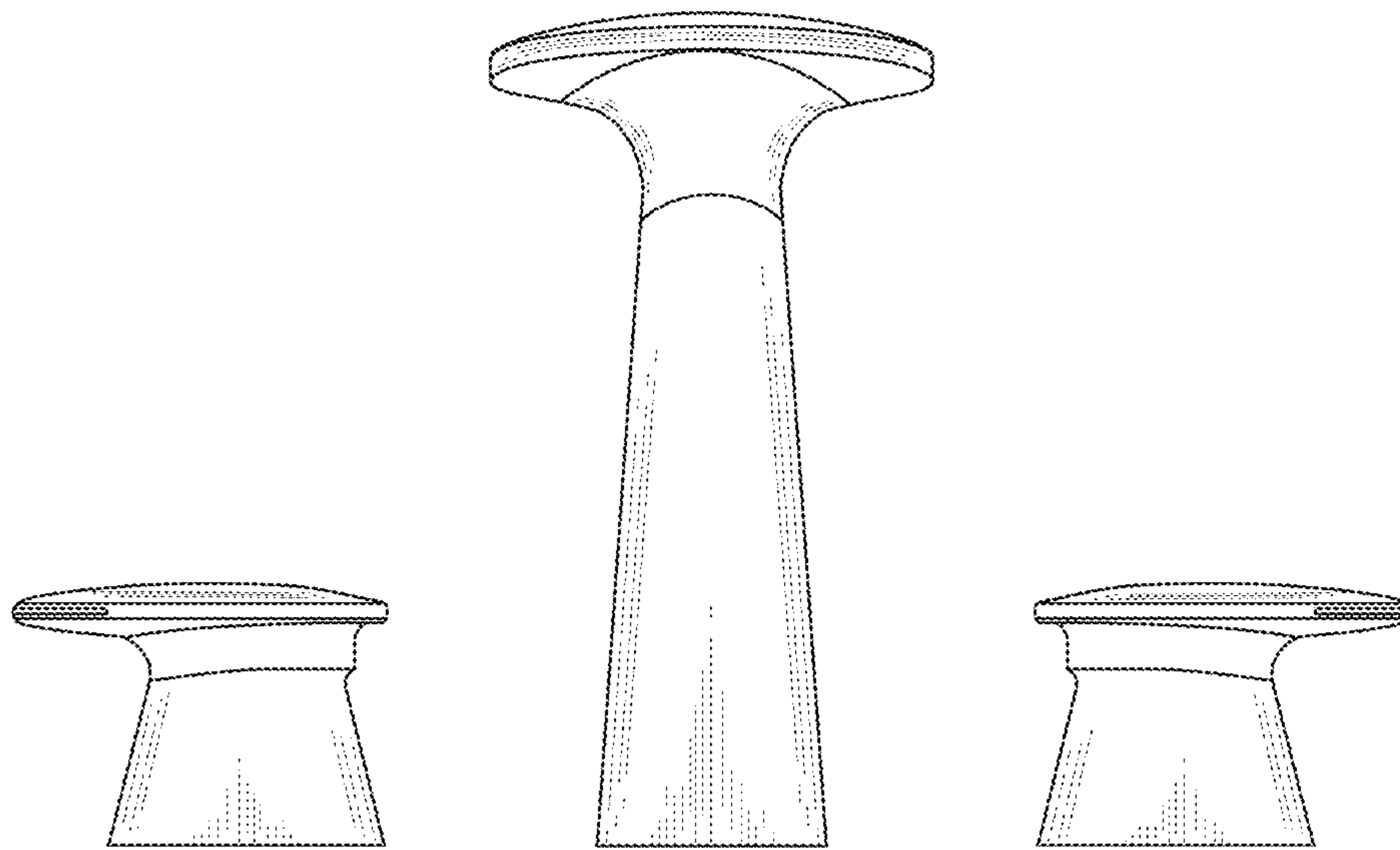


FIG.3

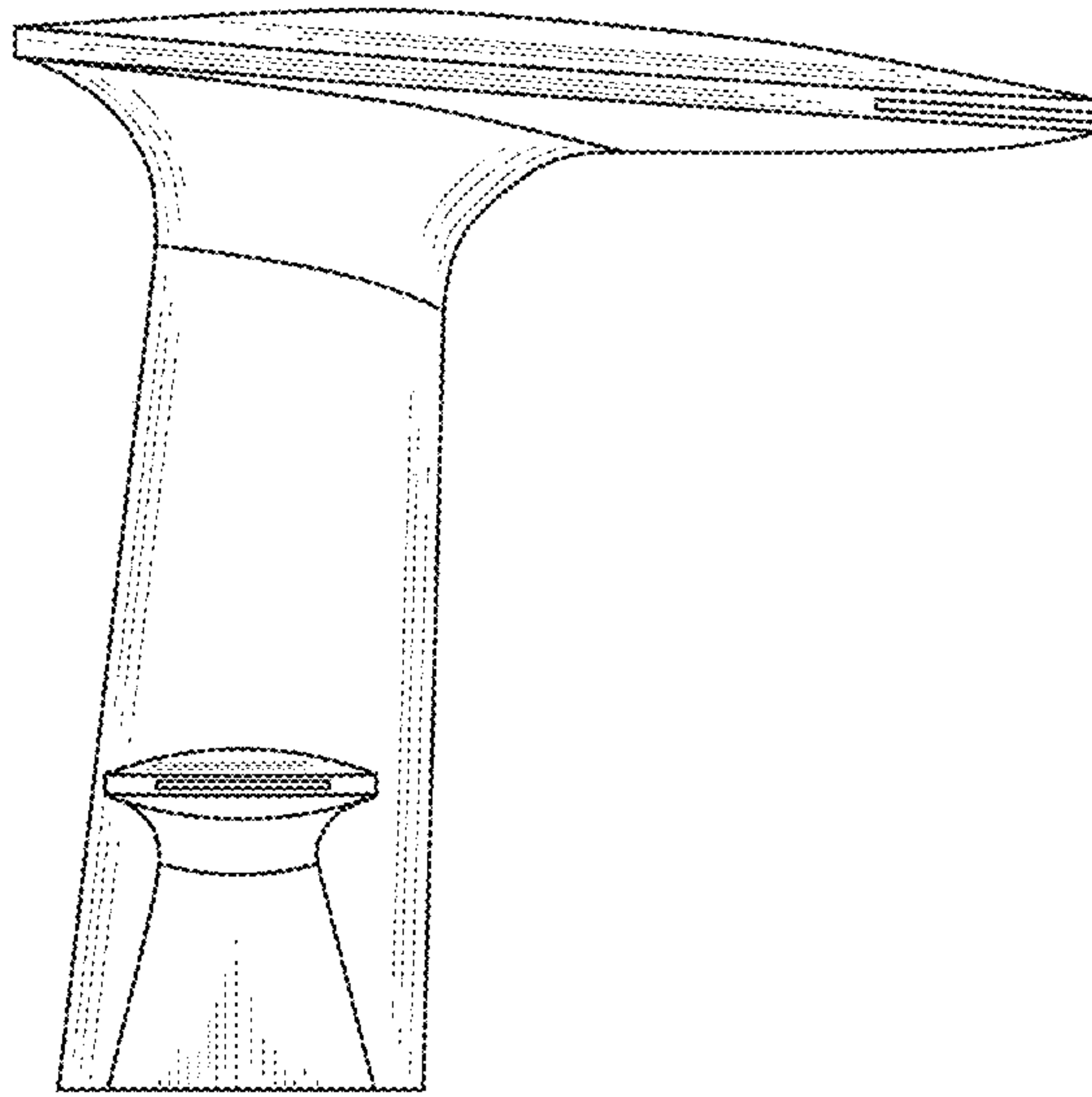


FIG.4

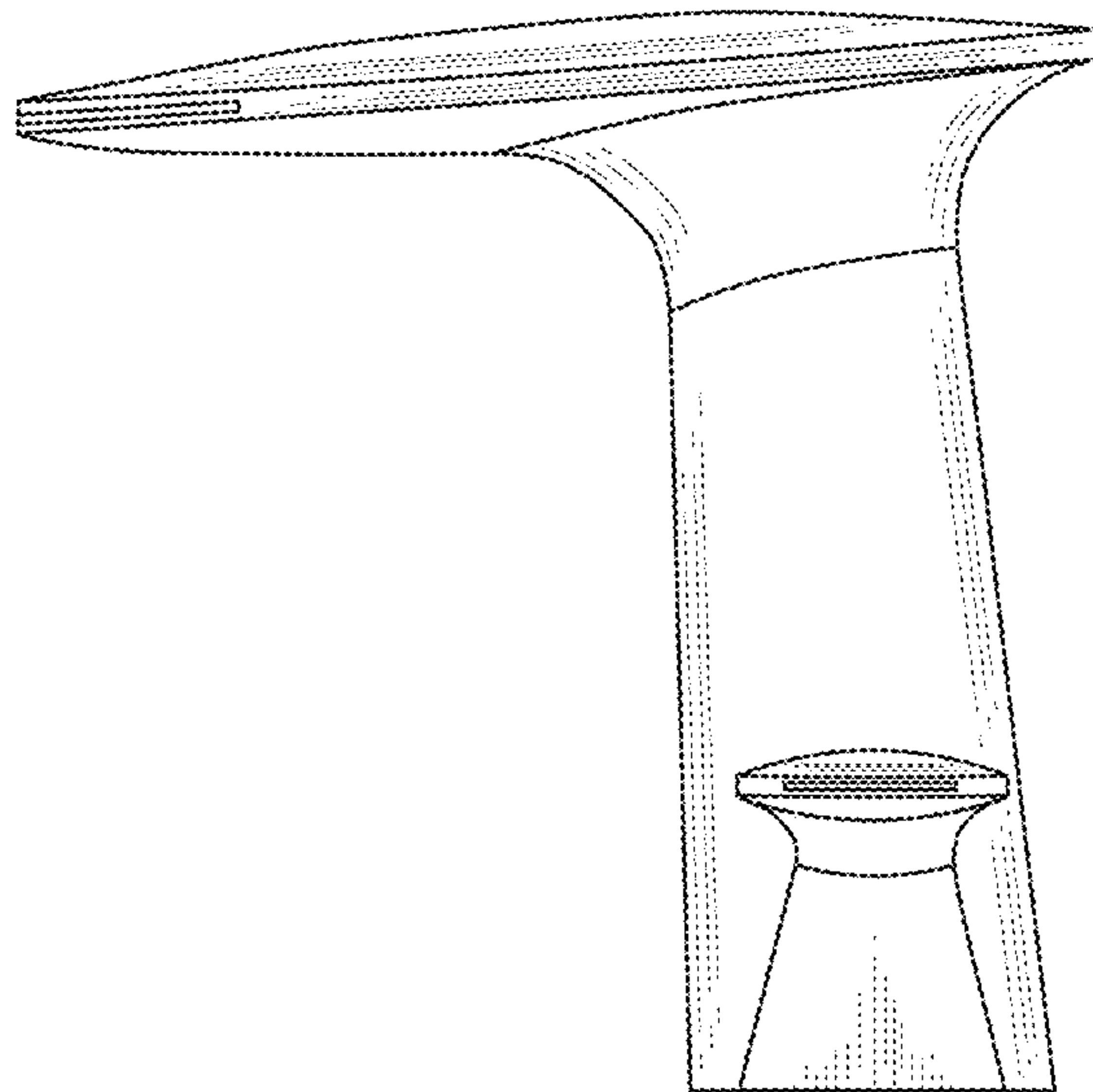


FIG.5

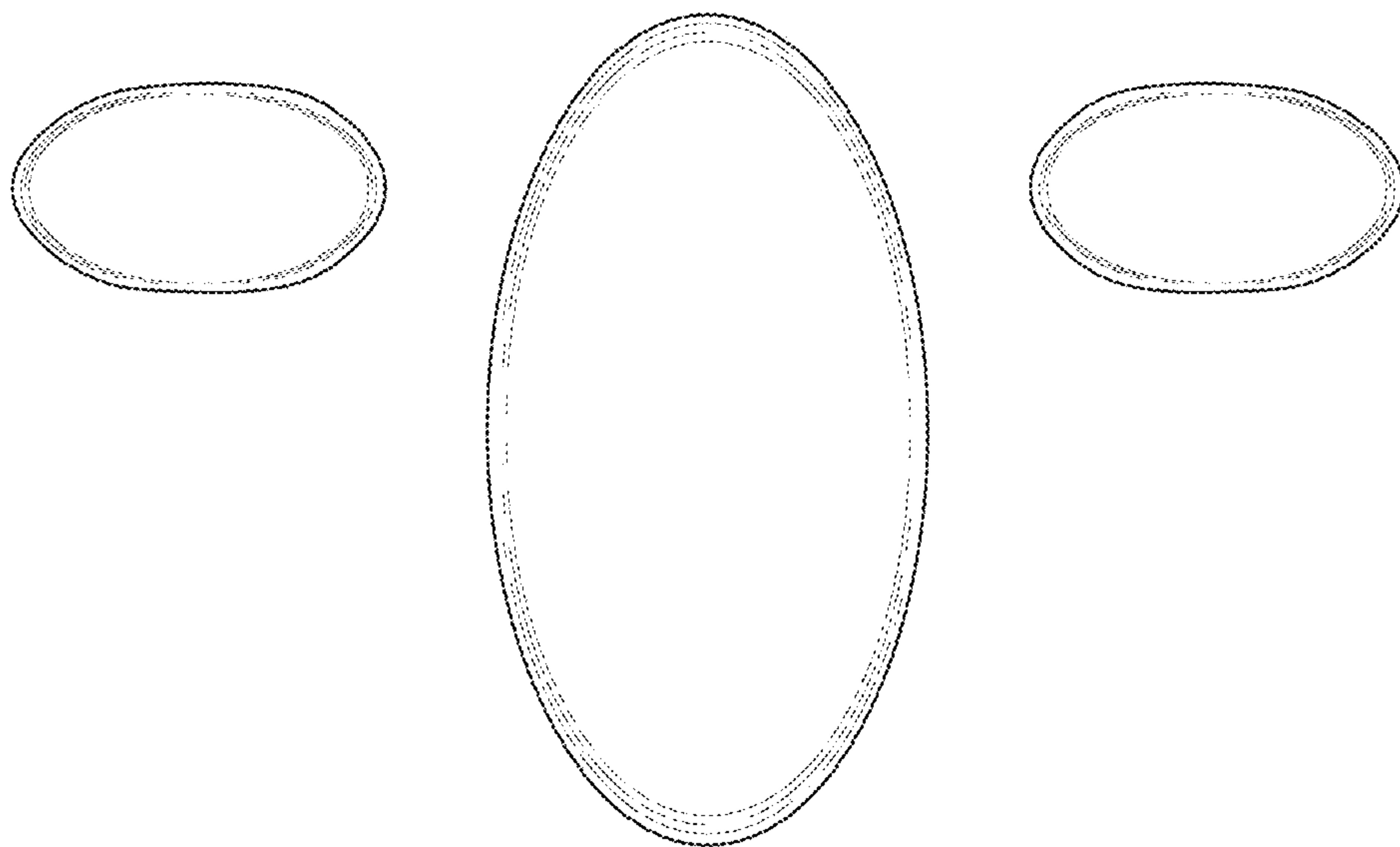


FIG.6

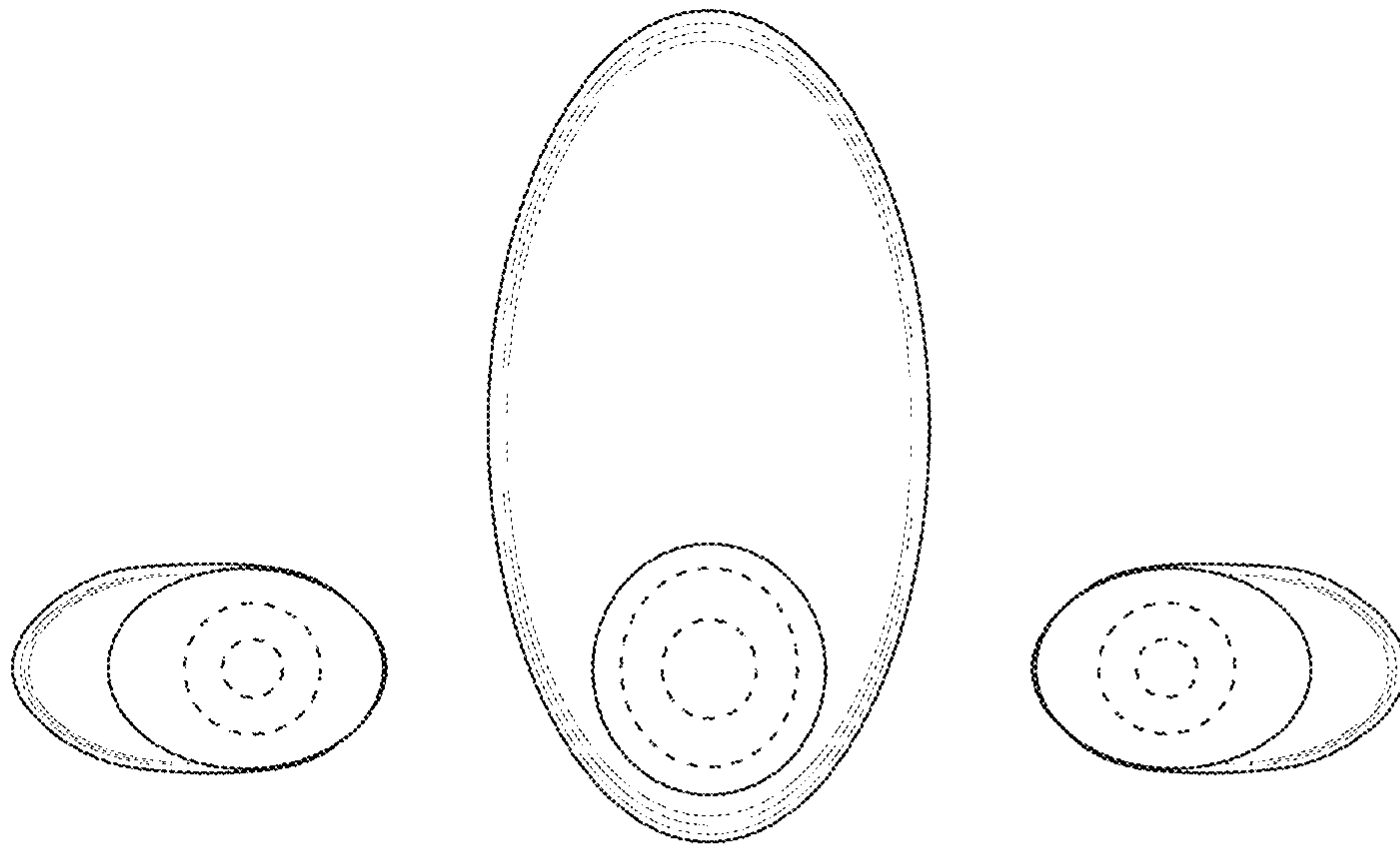


FIG.7