

US00D863507S

(12) **United States Design Patent**
Zhang

(10) **Patent No.:** **US D863,507 S**

(45) **Date of Patent:** **** Oct. 15, 2019**

(54) **FAUCET**

(71) Applicant: **Xinrui Zhang**, Kaiping (CN)

(72) Inventor: **Xinrui Zhang**, Kaiping (CN)

(**) Term: **15 Years**

(21) Appl. No.: **29/671,102**

(22) Filed: **Nov. 22, 2018**

(51) **LOC (12) Cl.** **23-01**

(52) **U.S. Cl.**
USPC **D23/238**

(58) **Field of Classification Search**
USPC D23/238-243, 255, 257, 249-250, 252,
D23/254; D8/307-308
CPC F16K 31/602; F16K 31/605; F16K 31/607;
E03C 1/0412
See application file for complete search history.

(56) **References Cited**

U.S. PATENT DOCUMENTS

- D482,102 S * 11/2003 Wettstein D23/238
- D580,023 S * 11/2008 Gilbert D23/255
- D585,967 S * 2/2009 Shieh D23/255

D828,508 S * 9/2018 Fritz D23/238

* cited by examiner

Primary Examiner — Robert A Delehanty

(74) *Attorney, Agent, or Firm* — KA Filing LLC; Wayne V. Harper

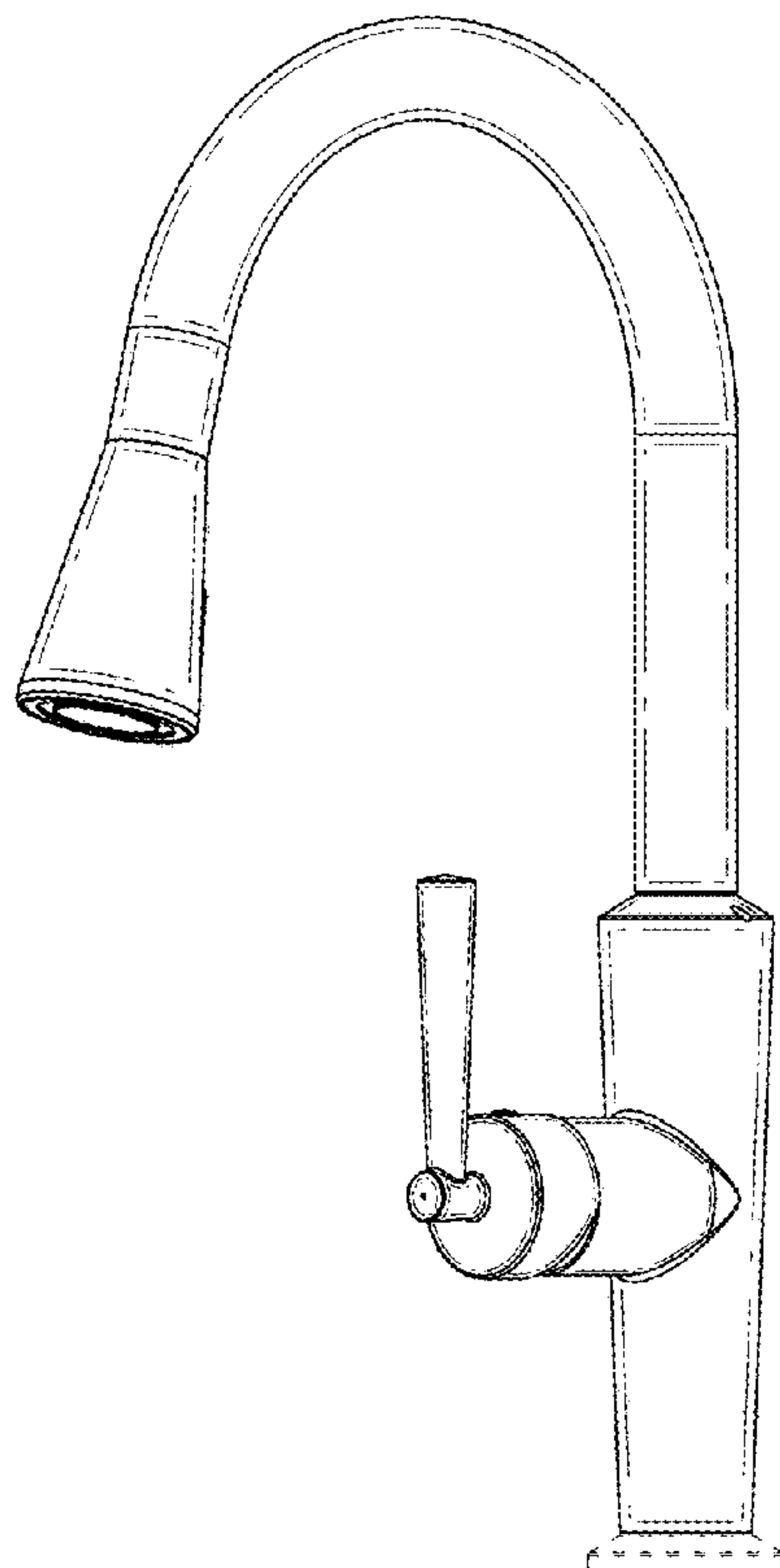
(57) **CLAIM**

I claim the ornamental design for a faucet, as shown and described.

DESCRIPTION

FIG. 1 is a perspective view of a faucet showing my new design;
 FIG. 2 is back perspective view of the faucet as shown in FIG. 1;
 FIG. 3 is a left-side view of the faucet as shown in FIG. 1;
 FIG. 4 is a right-side view of the faucet as shown in FIG. 1;
 FIG. 5 is a front-side view of the faucet as shown in FIG. 1;
 FIG. 6 is a back-side view of the faucet as shown in FIG. 1;
 and,
 FIG. 7 is a top-side view of the faucet as shown in FIG. 1.
 The broken lines are only for environmental purposes and form no part of the claimed design.

1 Claim, 7 Drawing Sheets



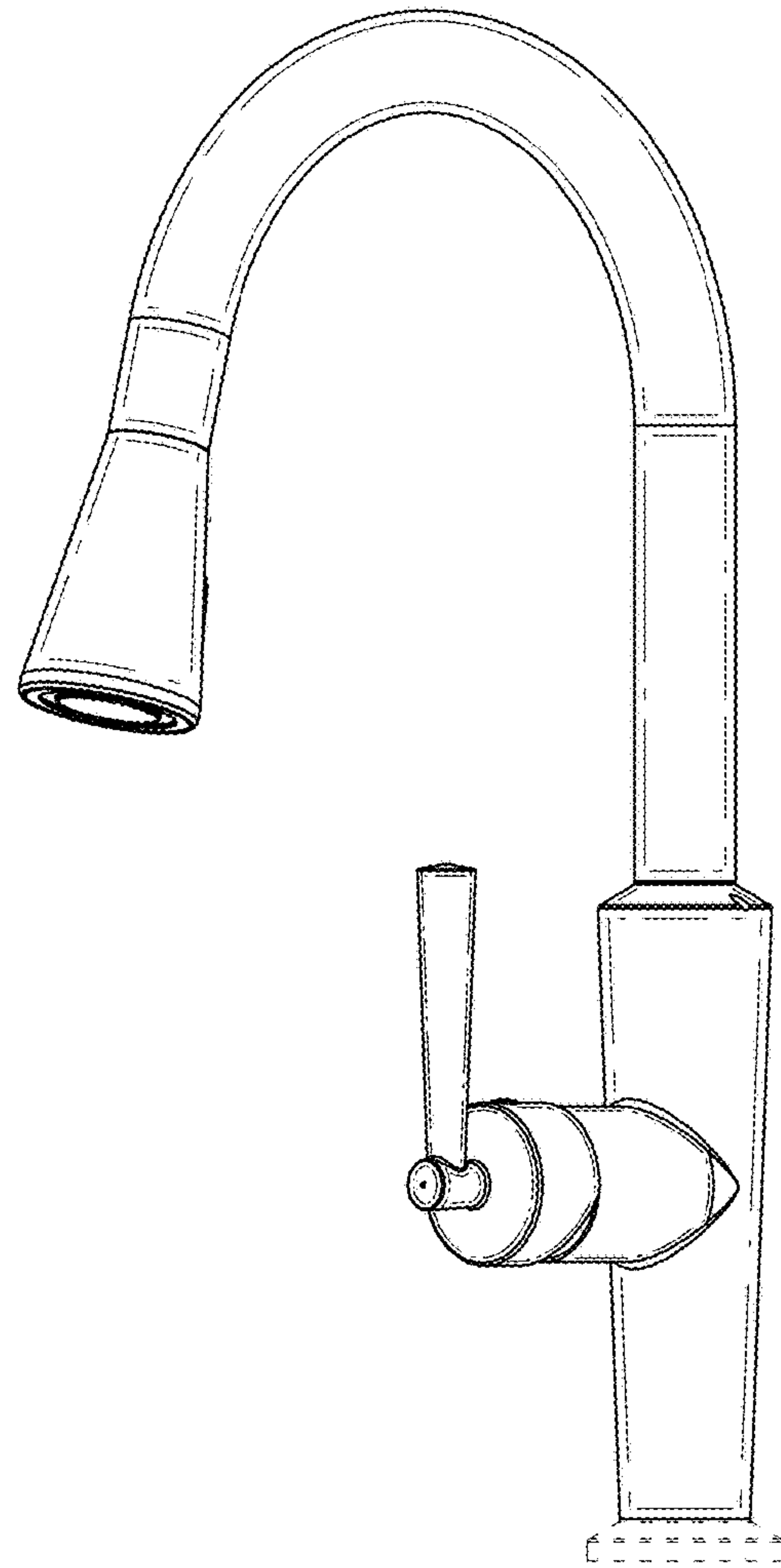


FIG. 1

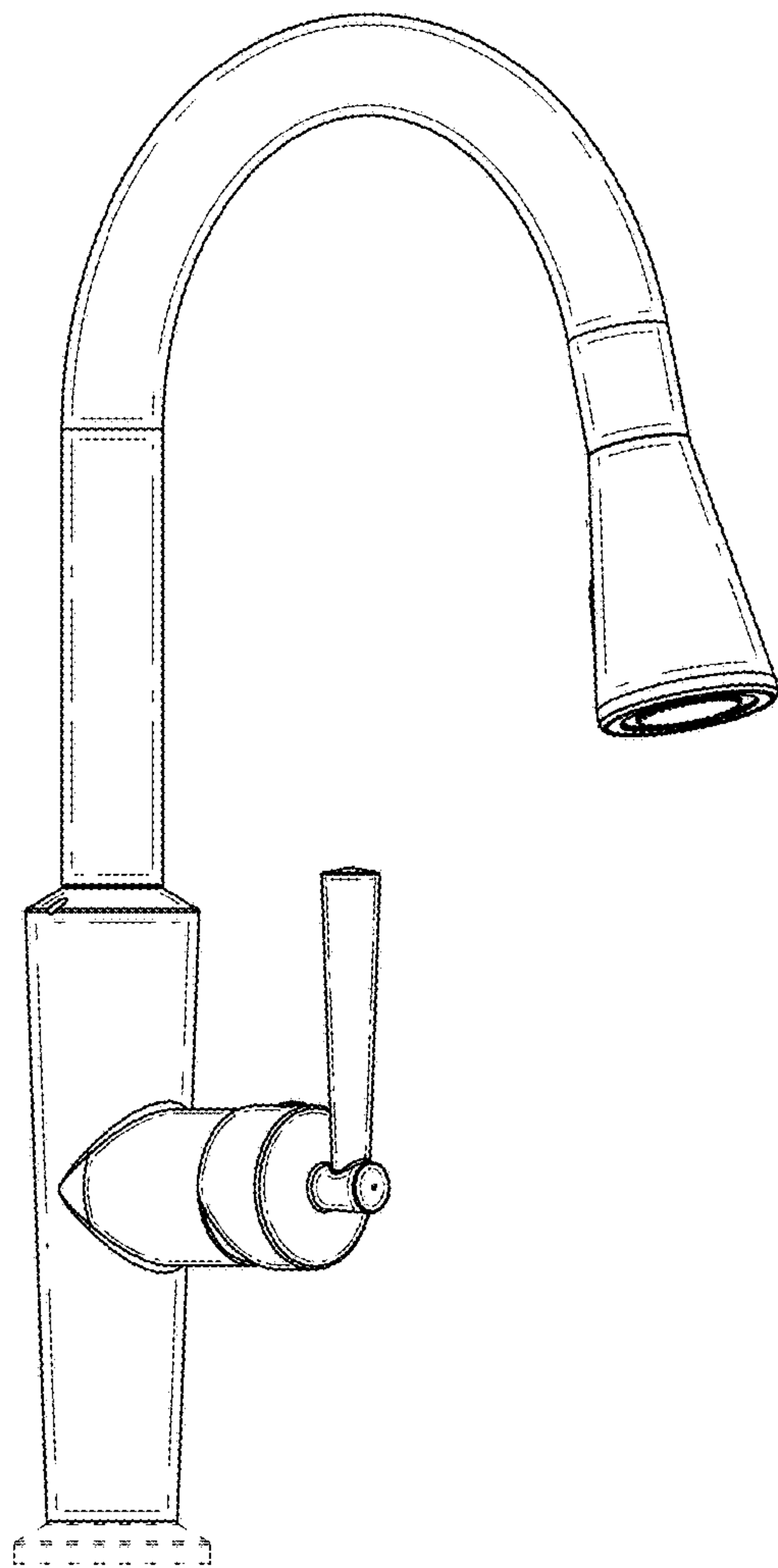


FIG. 2

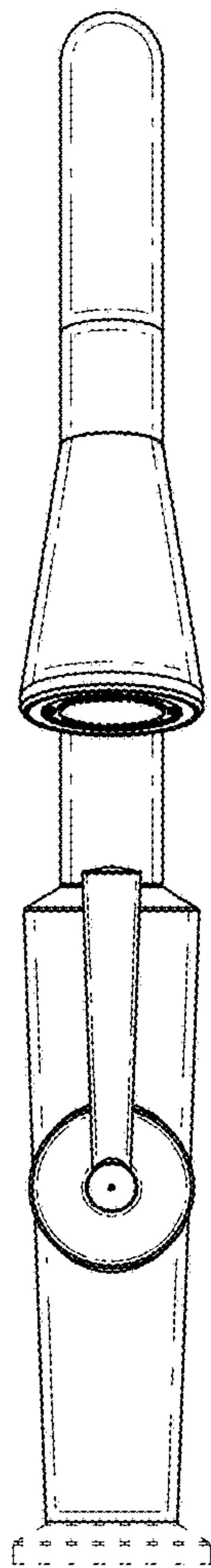


FIG. 3

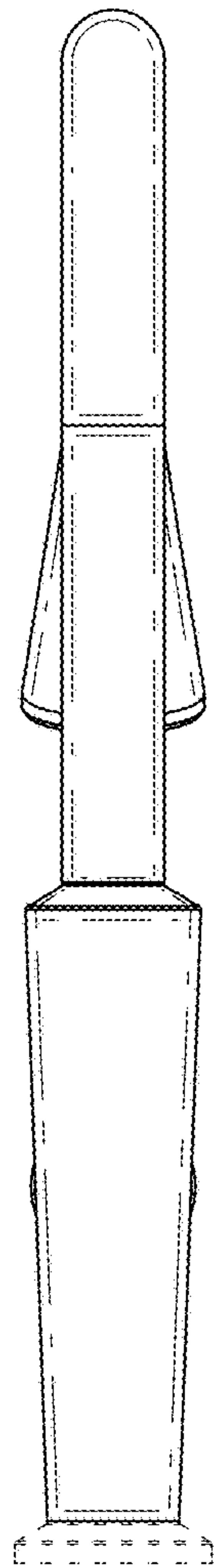


FIG. 4

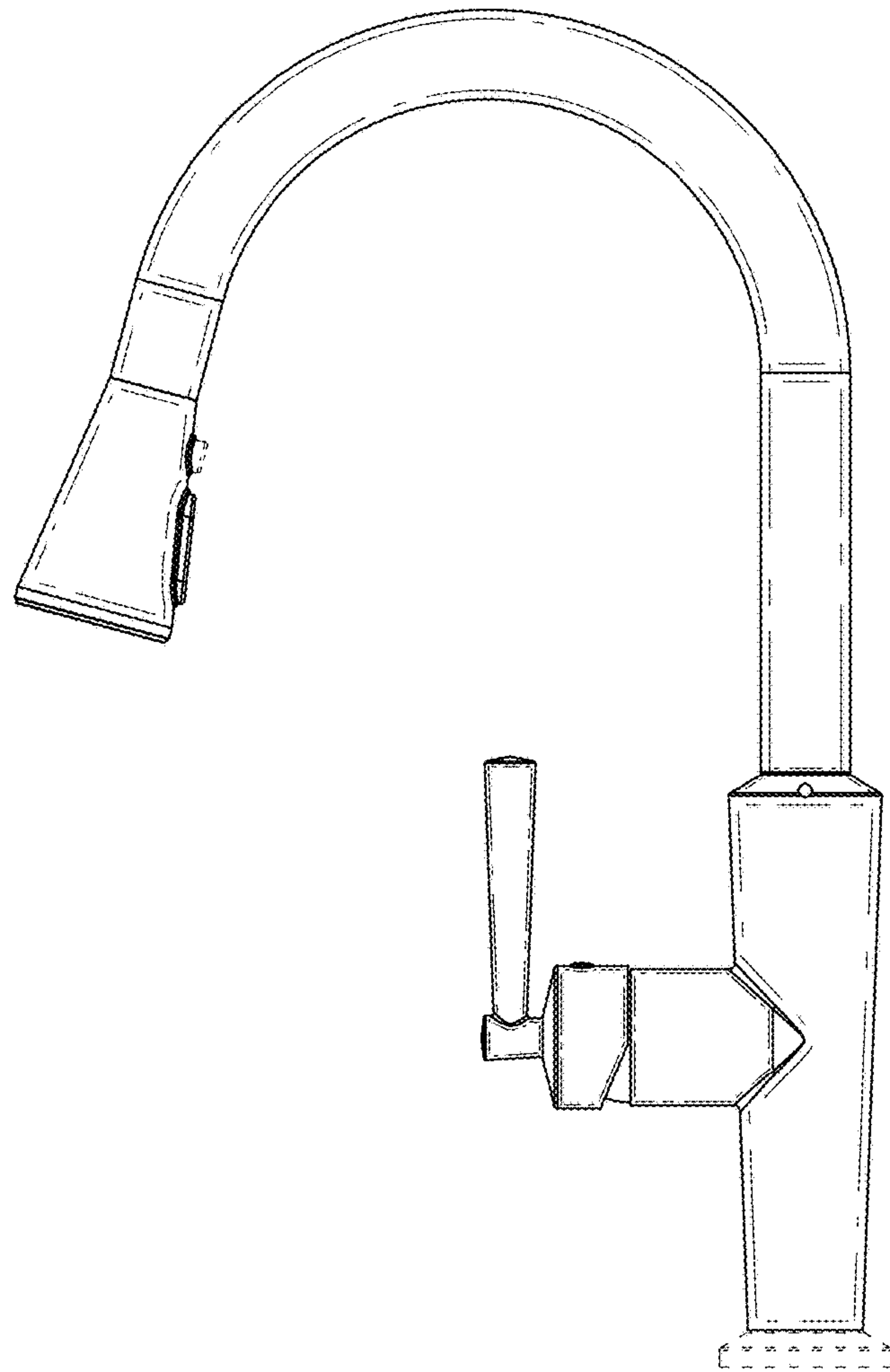


FIG. 5

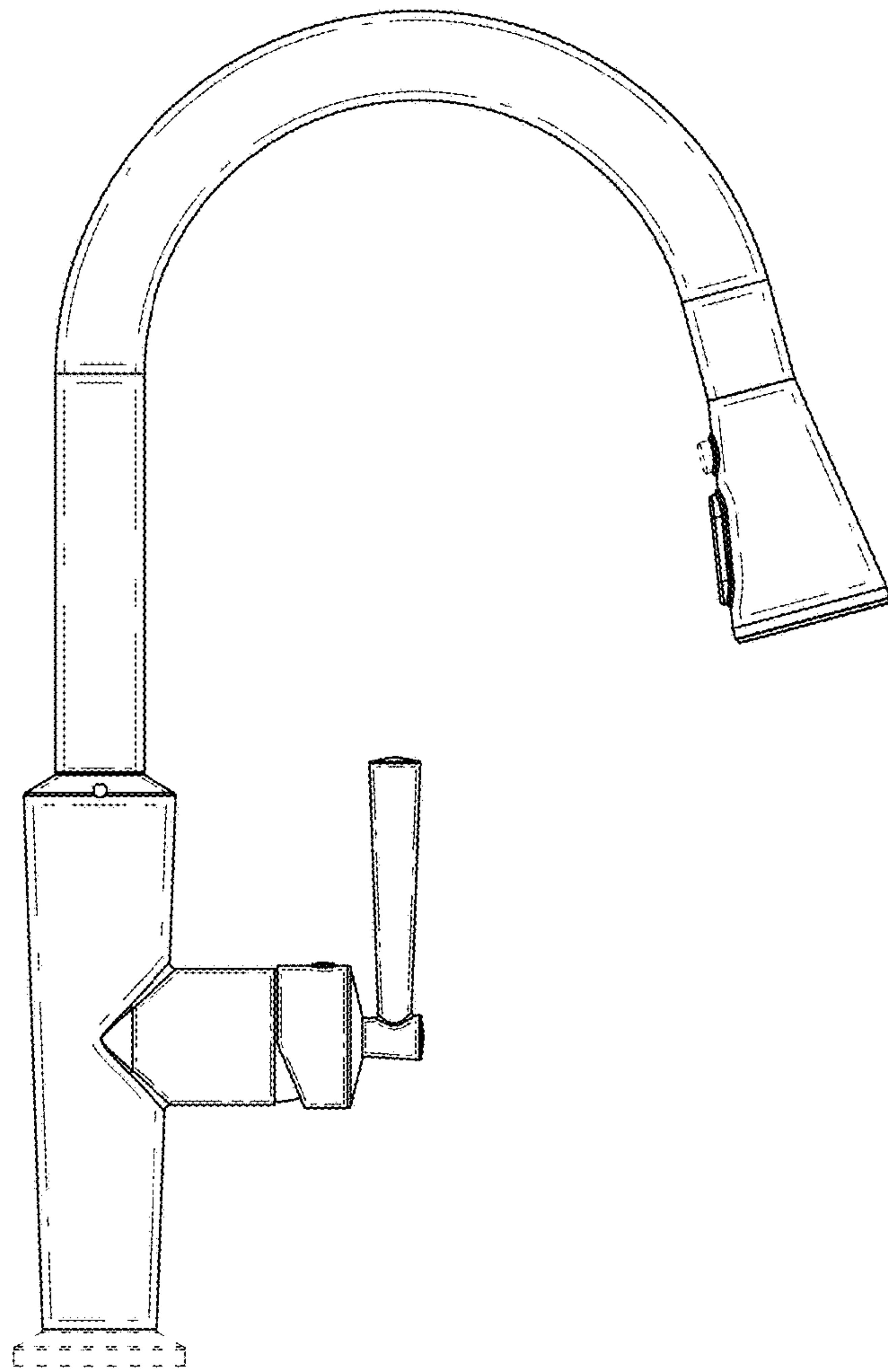


FIG. 6

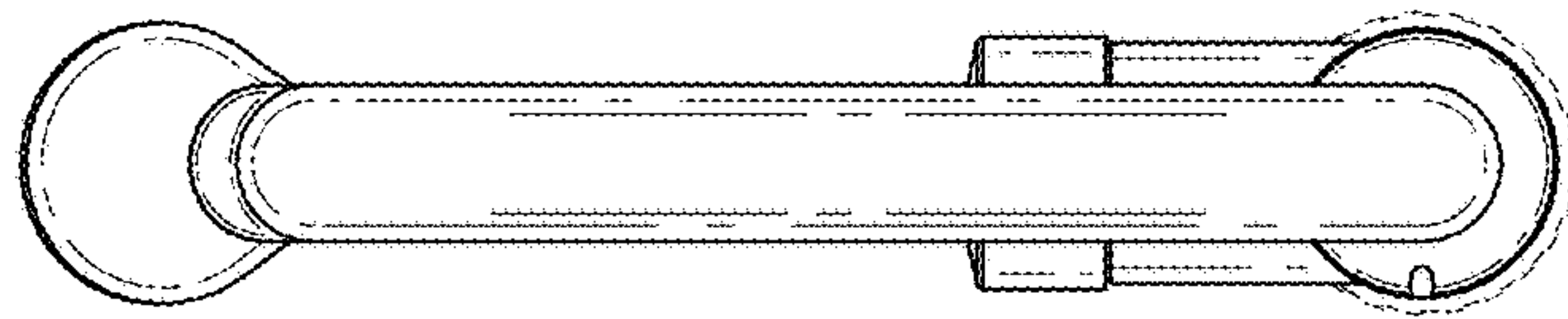


FIG. 7