

US00D863506S

(12) **United States Design Patent** (10) **Patent No.:** **US D863,506 S**
Hayner et al. (45) **Date of Patent:** **** Oct. 15, 2019**

(54) **FAUCET**
(71) Applicant: **Kohler Co.**, Kohler, WI (US)
(72) Inventors: **Tory L. Hayner**, Howards Grove, WI (US); **Gregory de Swarte**, Sheboygan, WI (US); **Drew Johnson**, Sheboygan, WI (US)
(73) Assignee: **KOHLER CO.**, Kohler, WI (US)
(**) Term: **15 Years**
(21) Appl. No.: **29/666,112**
(22) Filed: **Oct. 10, 2018**
(51) **LOC (12) Cl.** **23-01**
(52) **U.S. Cl.**
USPC **D23/238**
(58) **Field of Classification Search**
USPC D23/238-243, 249, 255, 257, 250, 252,
D23/254, 213, 223, 226; D8/307-308
CPC E03C 1/0412
See application file for complete search history.

D651,284 S * 12/2011 Flowers D23/243
D683,825 S 6/2013 Sofield
8,713,725 B2 * 5/2014 Alder E03C 1/0404
4/678
D735,298 S * 7/2015 Eads D23/238
D746,412 S 12/2015 Hanna et al.
D795,396 S 8/2017 Kaule et al.
D795,397 S 8/2017 Clarke
D802,720 S * 11/2017 Haug D23/238
D804,615 S * 12/2017 Seum D23/238
D807,989 S 1/2018 Kaule et al.
D812,195 S 3/2018 Clarke
D835,238 S * 12/2018 Ziemann D23/238

* cited by examiner

Primary Examiner — Robert A Delehanty
(74) *Attorney, Agent, or Firm* — Foley & Lardner LLP

(57) **CLAIM**

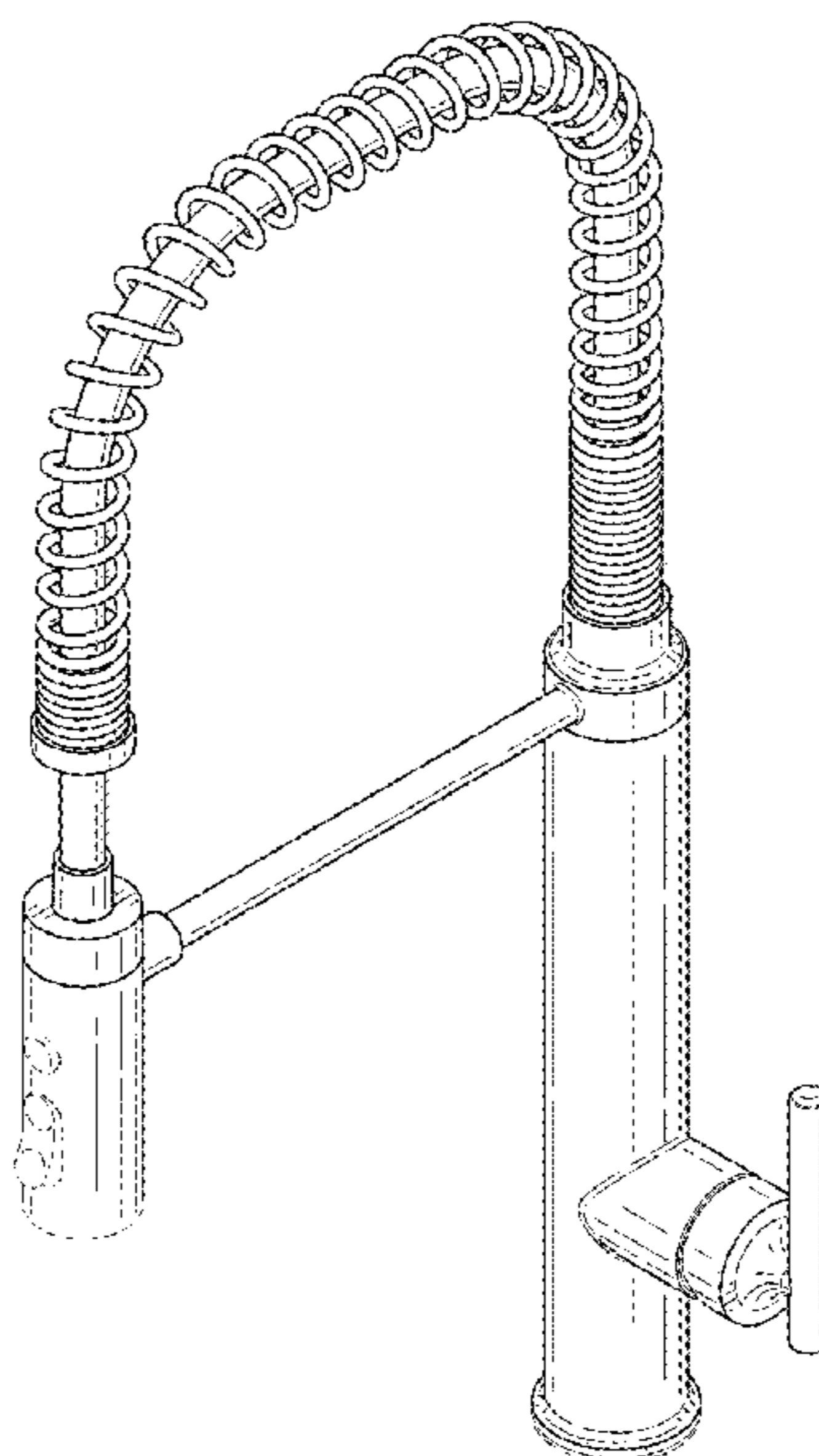
We claim the ornamental design for a faucet, as shown and described.

DESCRIPTION

FIG. 1 is a perspective view of an embodiment of the claimed design;
FIG. 2 is a side view of the embodiment of FIG. 1;
FIG. 3 is another side view of the embodiment of FIG. 1;
FIG. 4 is a front view of the embodiment of FIG. 1;
FIG. 5 is a rear view of the embodiment of FIG. 1;
FIG. 6 is a top view of the embodiment of FIG. 1; and,
FIG. 7 is a bottom view of the embodiment of FIG. 1.
The ornamental design which is claimed is shown in solid lines in the drawings. The broken lines in the drawings are for illustrative purposes only and form no part of the claimed design. Broken lines formed of unequal length dashes (i.e., dash-dot) define bounds of the claimed design.

1 Claim, 5 Drawing Sheets

(56) **References Cited**
U.S. PATENT DOCUMENTS
D319,294 S * 8/1991 Kohler, Jr. D23/254
D420,726 S 2/2000 Slothower et al.
D428,965 S 8/2000 Slothower
D481,445 S * 10/2003 Haug D23/238
D564,634 S * 3/2008 Kirar D23/252
D585,960 S * 2/2009 Ko D23/238
D605,260 S * 12/2009 Allard D23/255
D615,622 S * 5/2010 Pan D23/238
D627,441 S * 11/2010 Sedwick D23/252
D635,220 S 3/2011 Rubin et al.
D635,221 S 3/2011 Rubin et al.



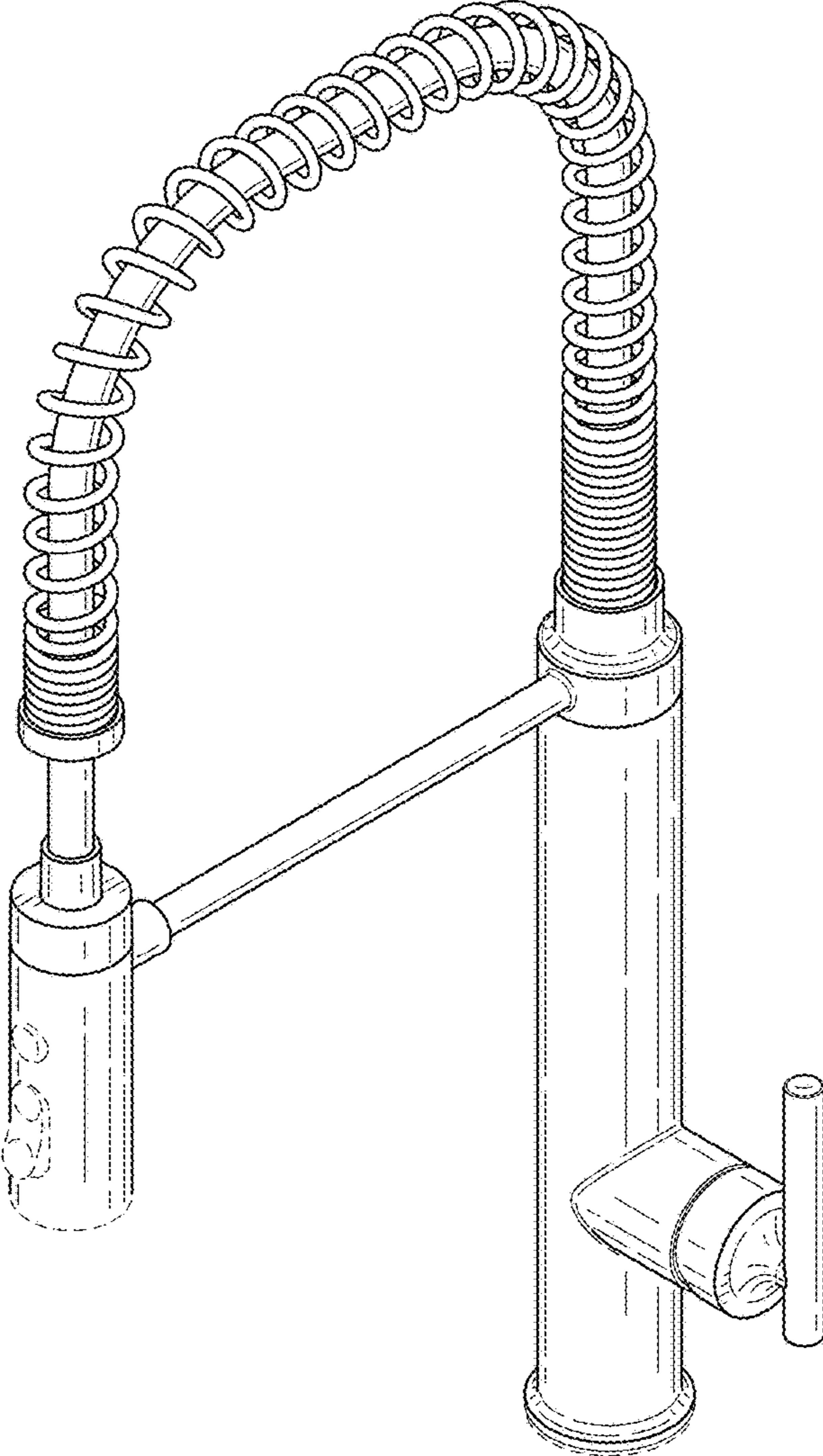


FIG. 1

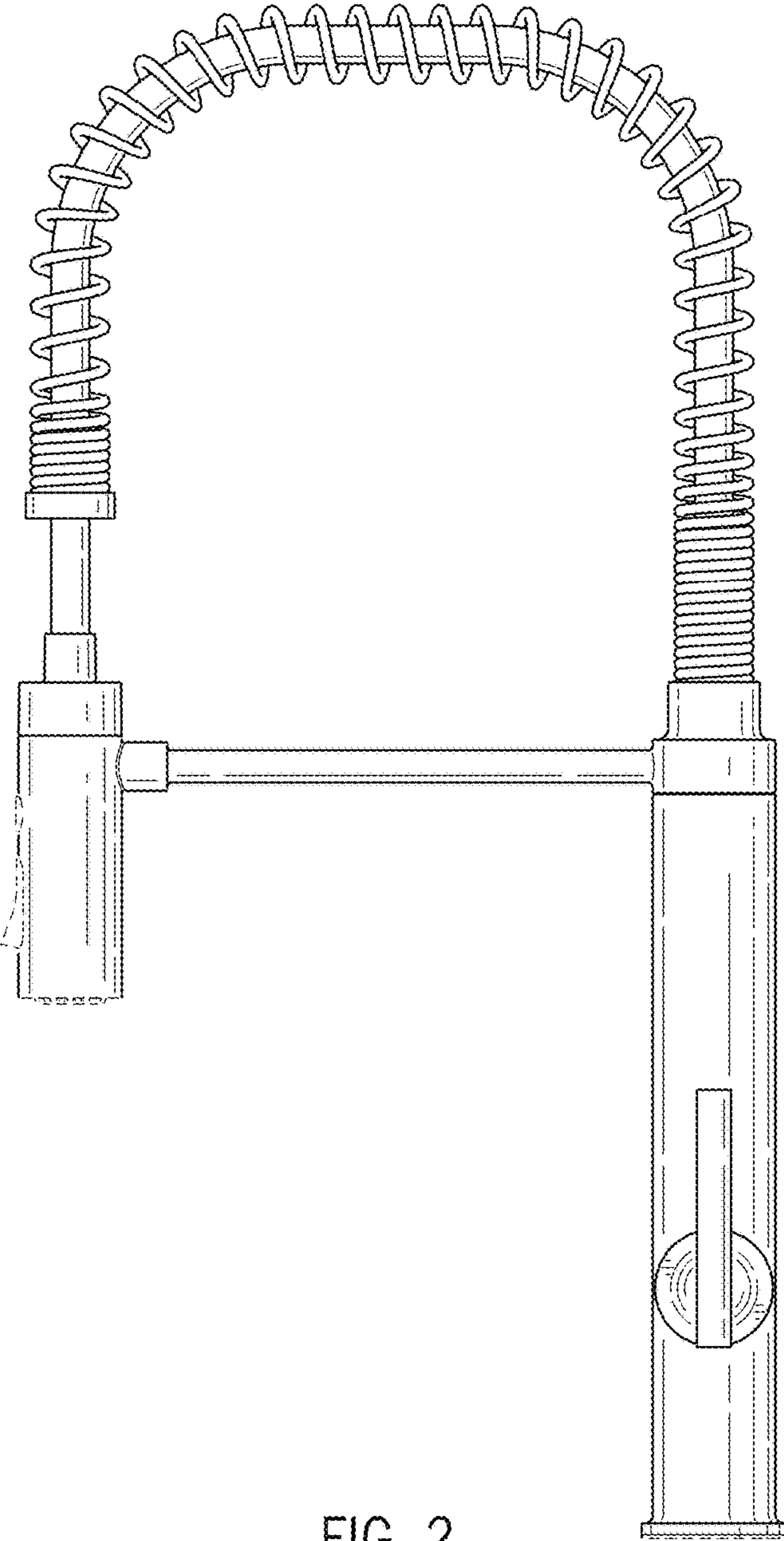


FIG. 2

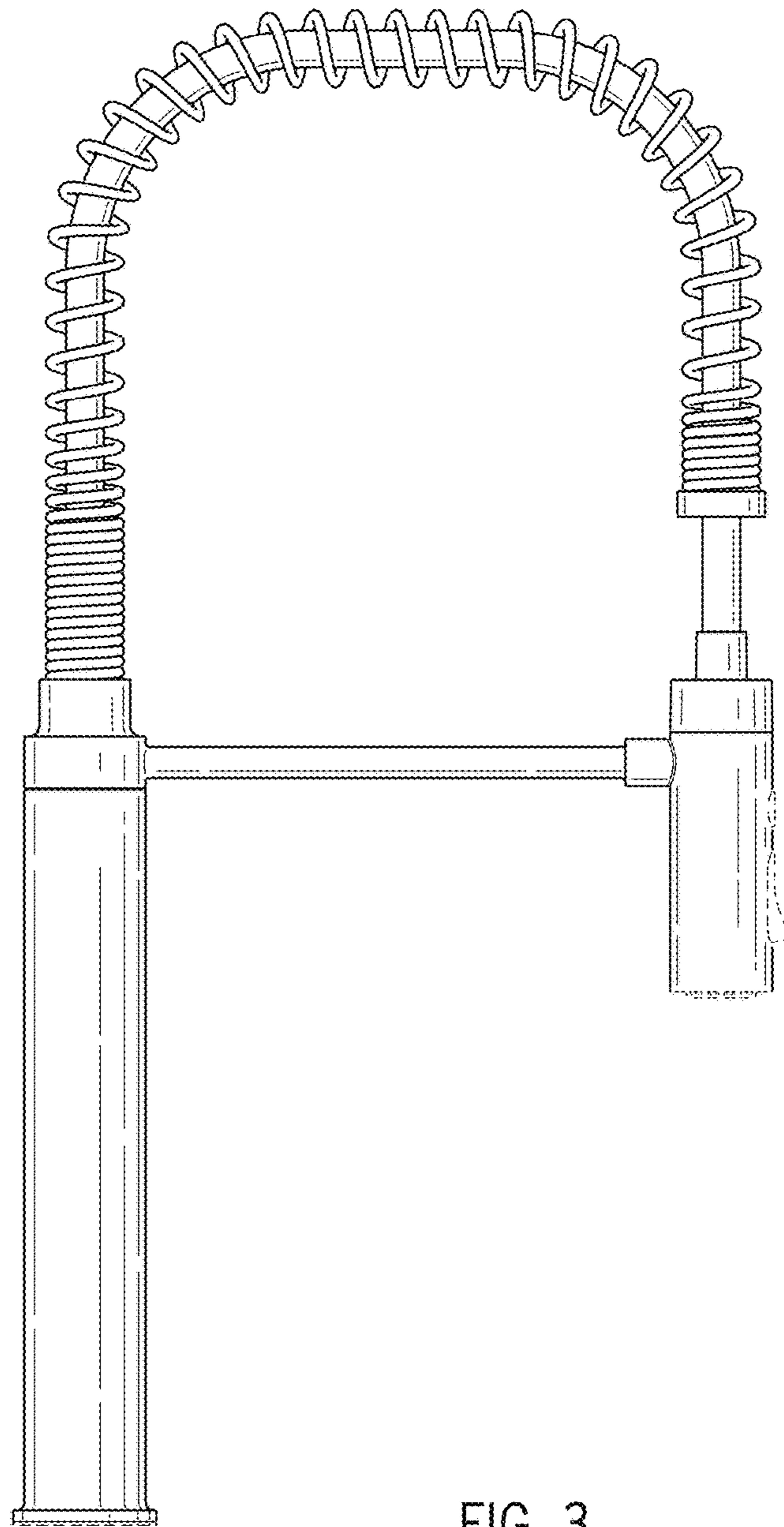
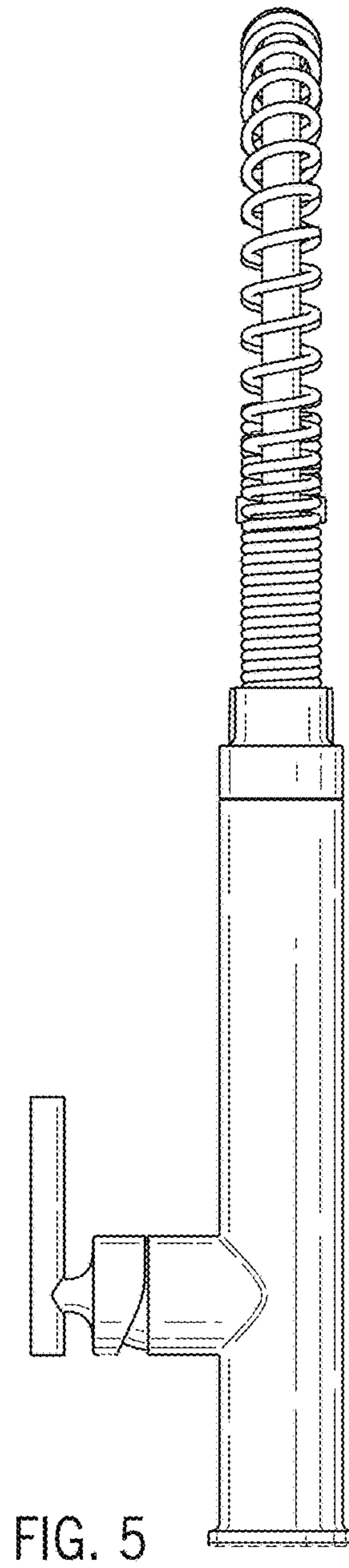
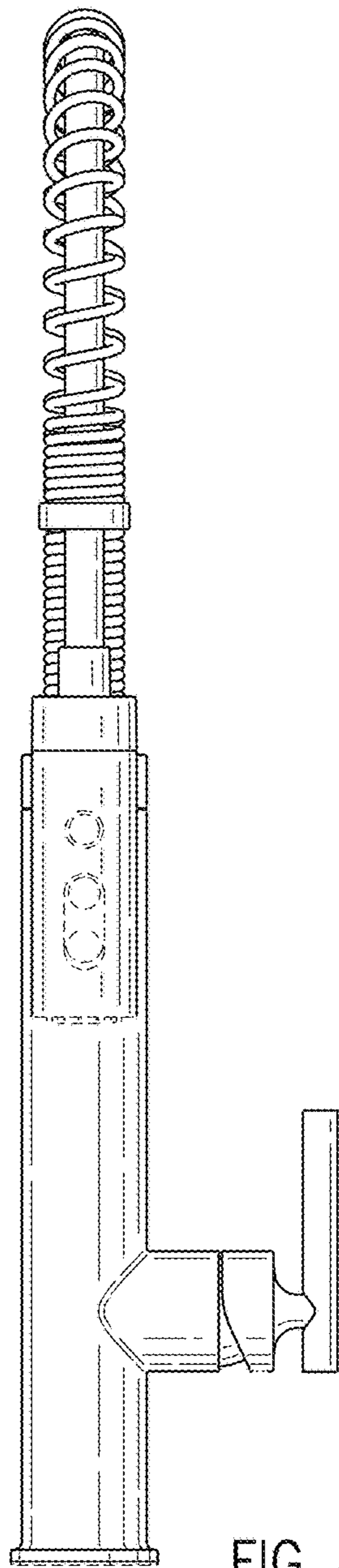


FIG. 3



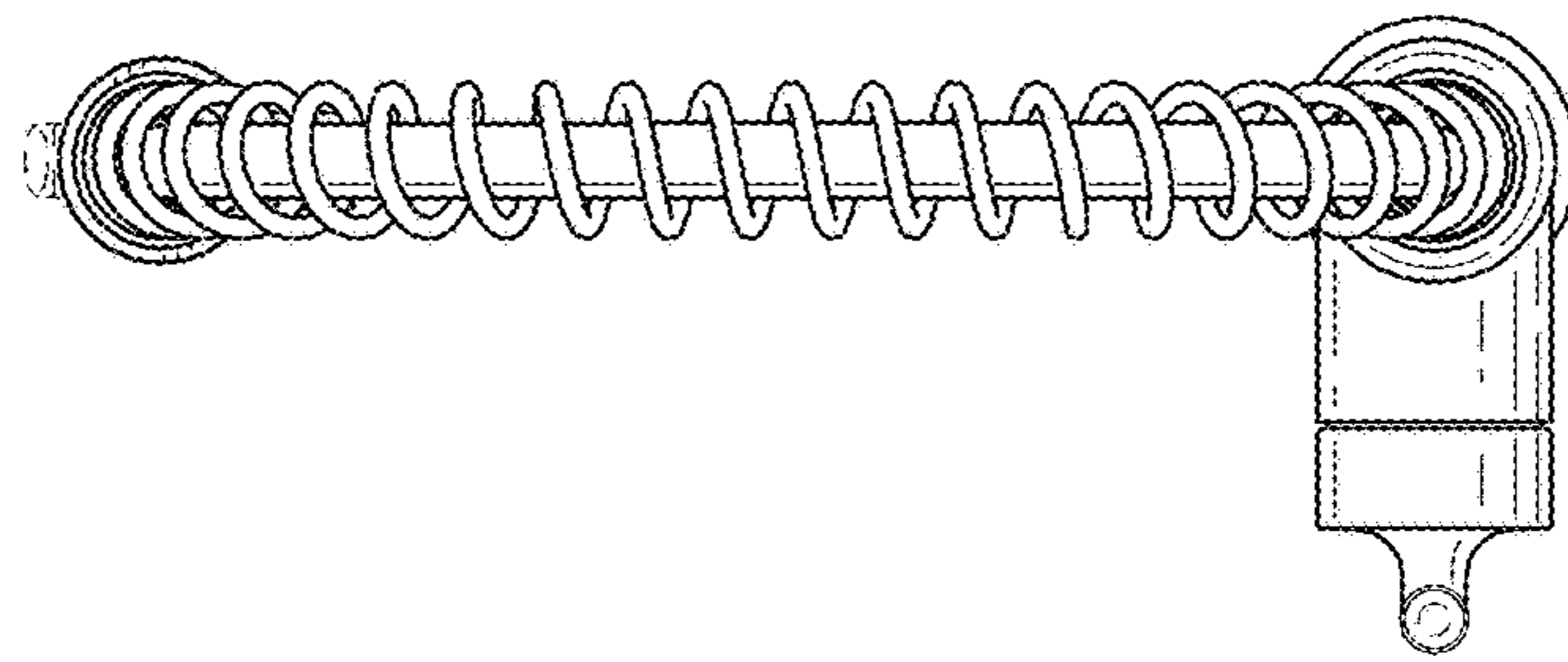


FIG. 6

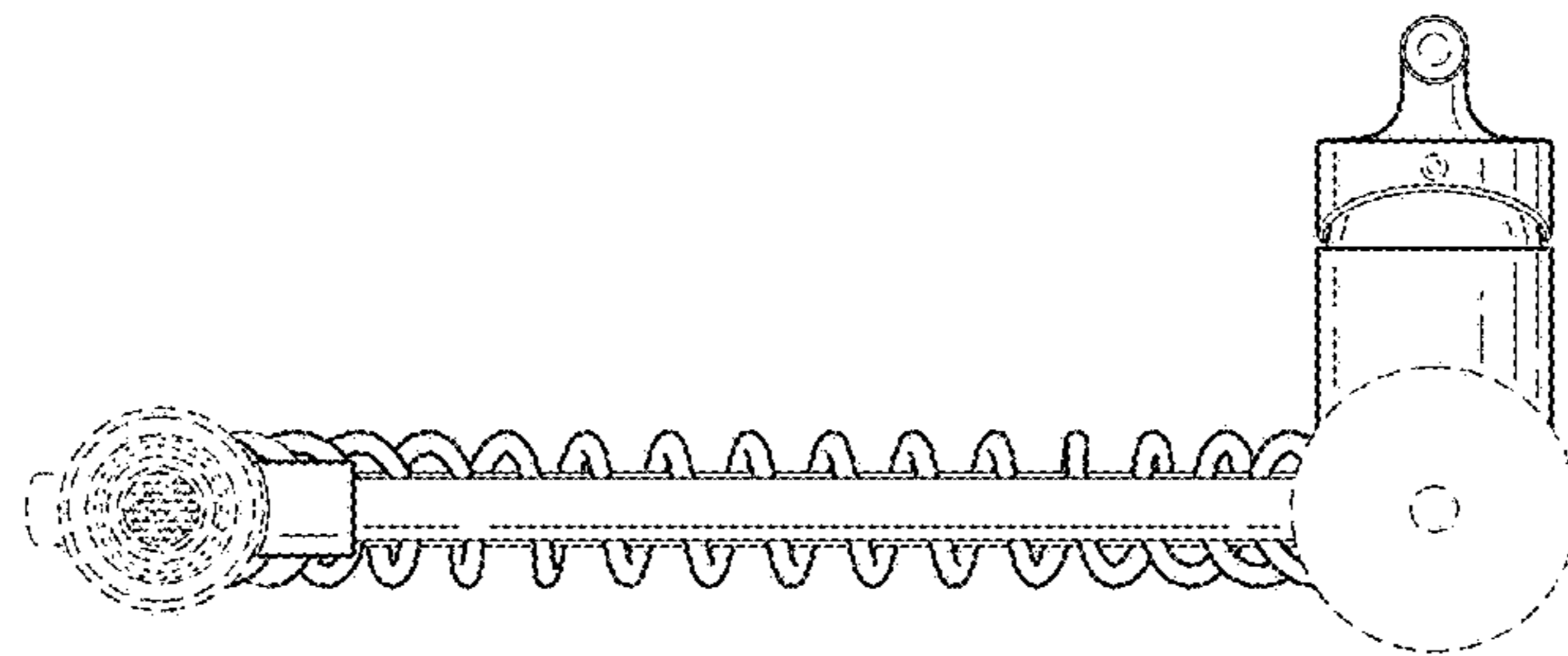


FIG. 7