



US00D863504S

(12) **United States Design Patent**  
**Watanabe et al.**

(10) **Patent No.:** **US D863,504 S**  
(45) **Date of Patent:** **\*\* Oct. 15, 2019**

- (54) **SOLENOID VALVE MANIFOLD**
- (71) Applicant: **Koganei Corporation**, Koganei-shi, Tokyo (JP)
- (72) Inventors: **Akira Watanabe**, Koganei (JP); **Koichi Teraki**, Koganei (JP); **Joji Inaba**, Koganei (JP); **Hirokazu Ohki**, Koganei (JP); **Kazuya Okamoto**, Koganei (JP)
- (73) Assignee: **Koganei Corporation**, Koganei-shi, Tokyo (JP)
- (\*\*) Term: **15 Years**
- (21) Appl. No.: **29/629,620**
- (22) Filed: **Dec. 14, 2017**

- 7,849,881 B2 \* 12/2010 Lee ..... F15B 13/0839  
137/884
- 7,909,064 B2 \* 3/2011 Natili, Jr. .... F15B 13/0817  
137/884
- 8,033,297 B2 \* 10/2011 Okamoto ..... F15B 13/0825  
137/884
- 8,061,379 B2 \* 11/2011 Inaba ..... F15B 13/0839  
137/271
- 8,714,196 B2 \* 5/2014 Johnson ..... G01M 3/3236  
137/596.18

(Continued)

*Primary Examiner* — Michael A. Pratt

(74) *Attorney, Agent, or Firm* — McCormick, Paulding & Huber LLP

(57) **CLAIM**

The ornamental design for a solenoid valve manifold, substantially as shown and described.

**DESCRIPTION**

FIG. 1 is a front, top, right side perspective view of a solenoid valve manifold, comprising a new, original and ornamental design;

FIG. 2 is a front view thereof;

FIG. 3 is a back view thereof;

FIG. 4 is a top view thereof;

FIG. 5 is a left view thereof;

FIG. 6 is a right view thereof;

FIG. 7 is a bottom view thereof;

FIG. 8 is a front, top, right side perspective view of a solenoid valve manifold, comprising a new, original and ornamental design;

FIG. 9 is a front view thereof;

FIG. 10 is a back view thereof;

FIG. 11 is a top view thereof;

FIG. 12 is a left view thereof;

FIG. 13 is a right view thereof; and,

FIG. 14 is a bottom view thereof.

The broken lines depict portions of the solenoid valve manifold and form no part of the claimed design.

**Related U.S. Application Data**

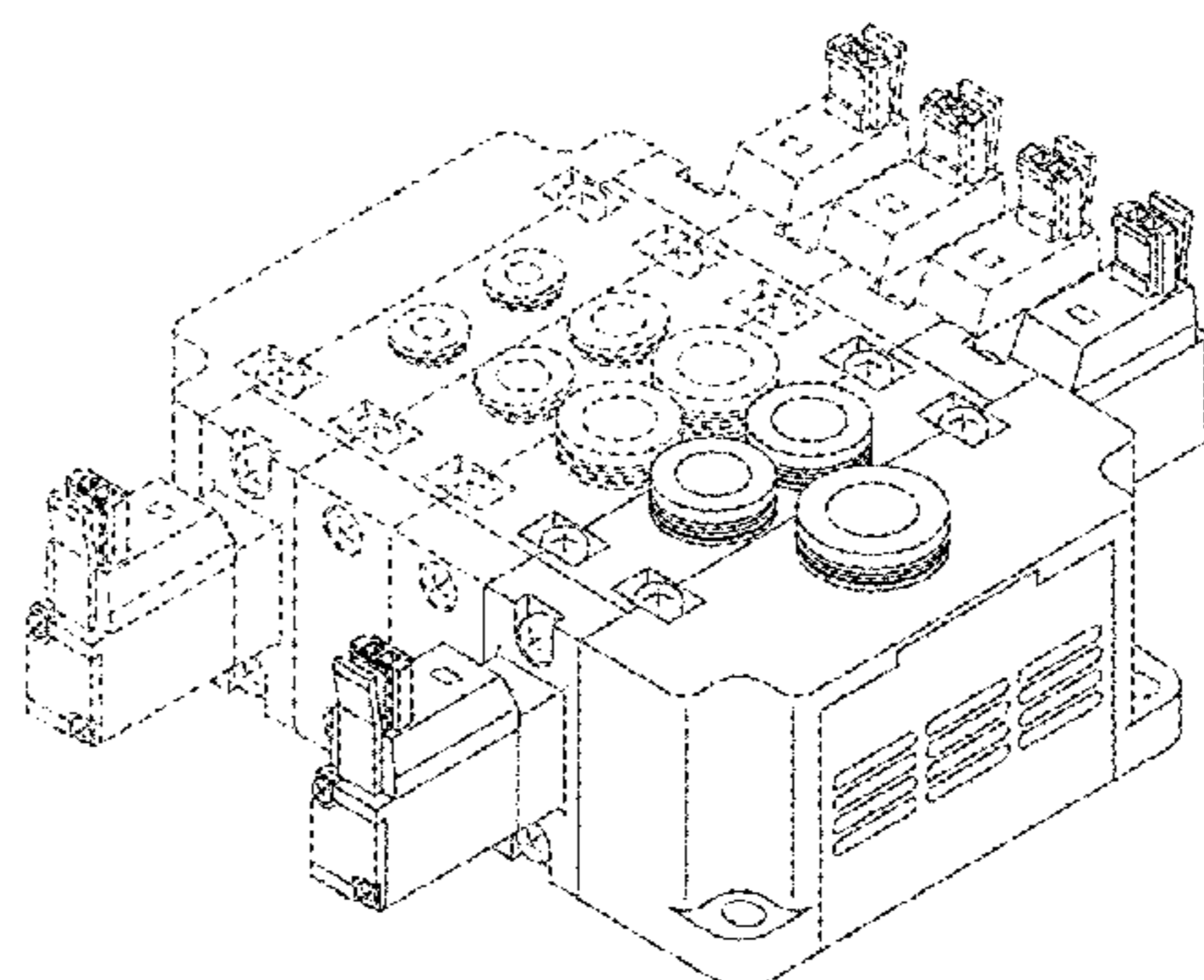
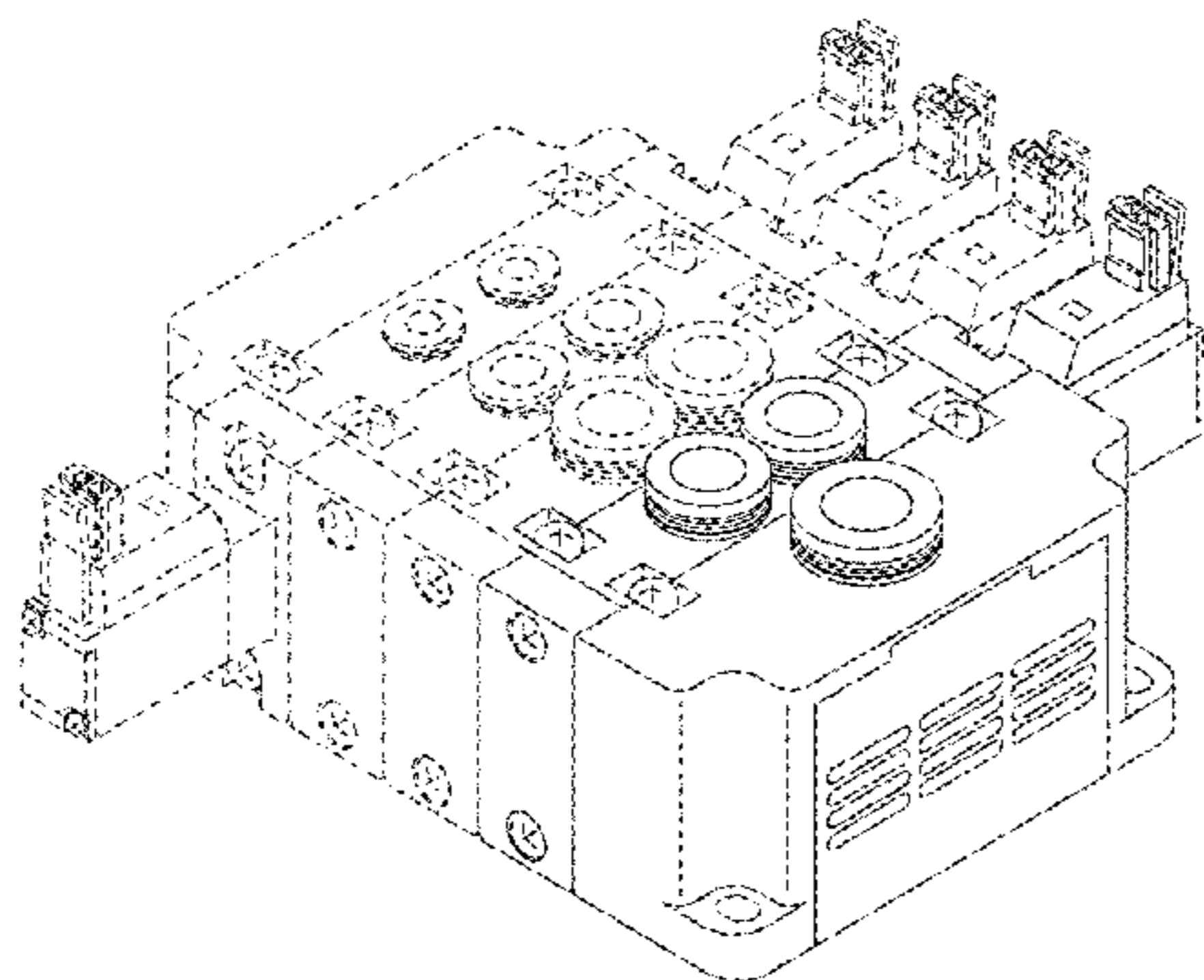
- (62) Division of application No. 35/501,204, filed on Jan. 13, 2016 (U.S. filing date under 35 U.S.C. 384), and having an international filing date of Jan. 13, 2016, now Pat. No. Des. 809,627.
- (51) **LOC (12) Cl.** ..... **23-01**
- (52) **U.S. Cl.**  
USPC ..... **D23/233**
- (58) **Field of Classification Search**  
USPC ..... D23/233, 321, 421  
CPC .... F16K 31/0675; F16K 27/029; F16K 31/02;  
F16K 31/082; F16K 27/048; F16K 11/24  
See application file for complete search history.

(56) **References Cited**

**U.S. PATENT DOCUMENTS**

- D594,931 S \* 6/2009 Miyazoe ..... D23/233
- D595,810 S \* 7/2009 Miyazoe ..... D23/233
- D599,890 S \* 9/2009 Yoshimura ..... D23/233
- 7,591,280 B2 \* 9/2009 Narita ..... F15B 13/0814  
137/269

**1 Claim, 14 Drawing Sheets**



(56)

**References Cited**

U.S. PATENT DOCUMENTS

8,961,444 B2 \* 2/2015 Chapman ..... A61M 1/28  
604/4.01  
D742,481 S \* 11/2015 Inaba ..... D23/233  
9,271,604 B2 \* 3/2016 Hecht ..... A47J 31/52

\* cited by examiner

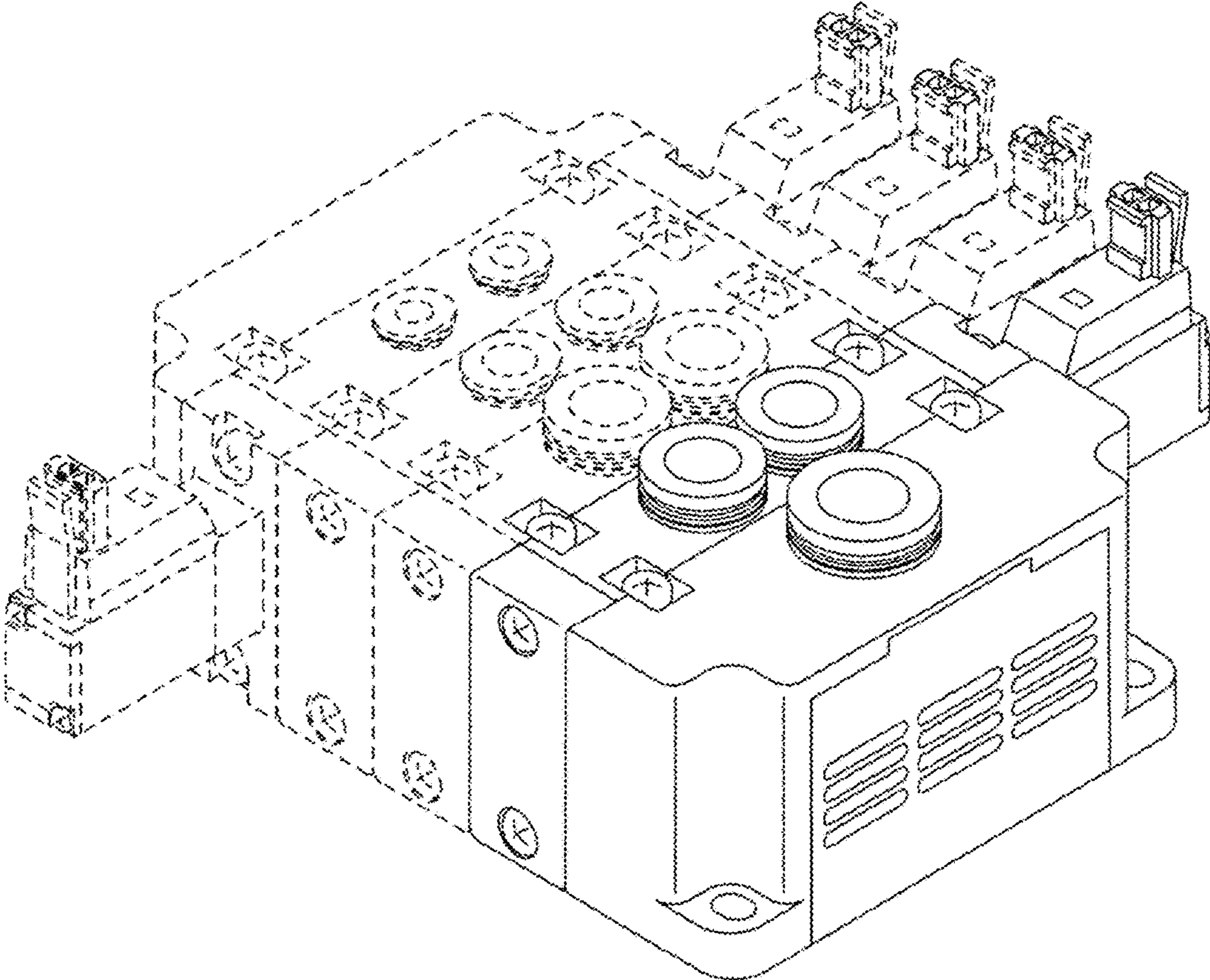


FIG. 1

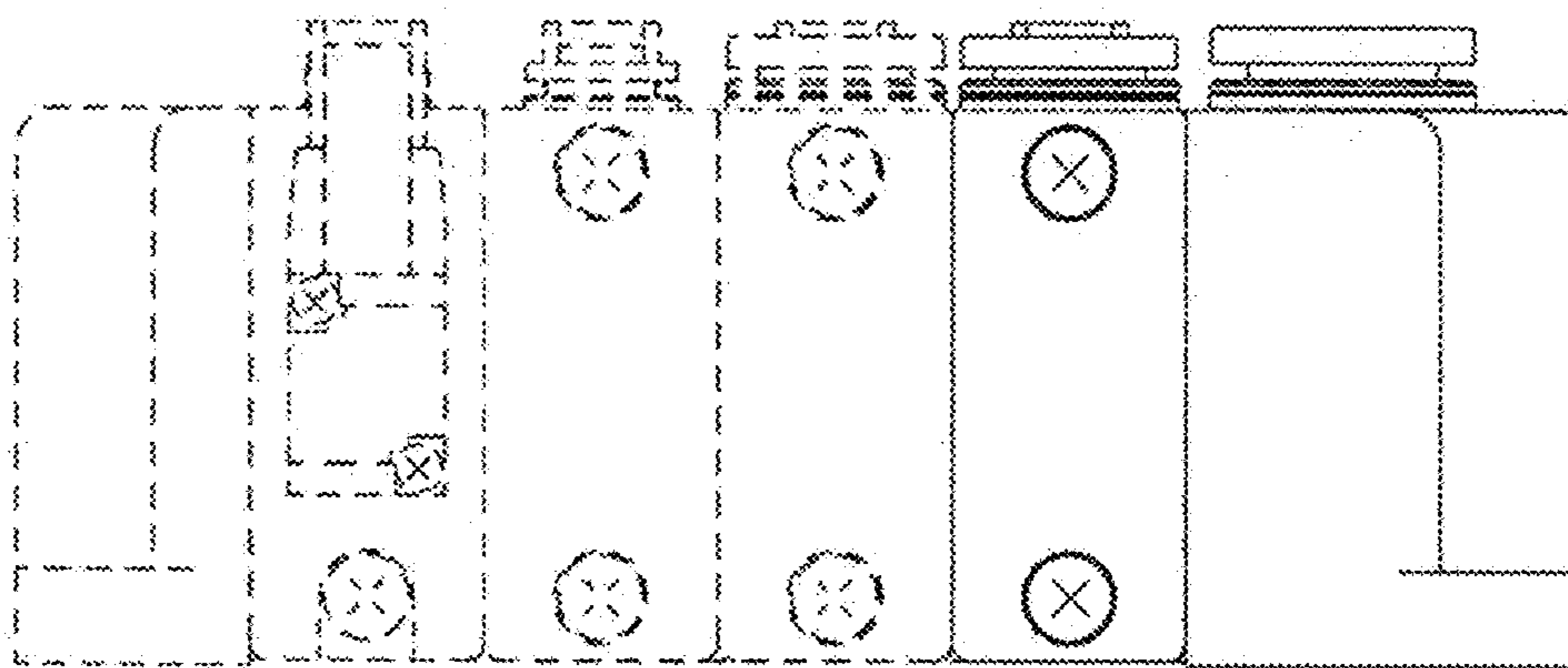


FIG. 2

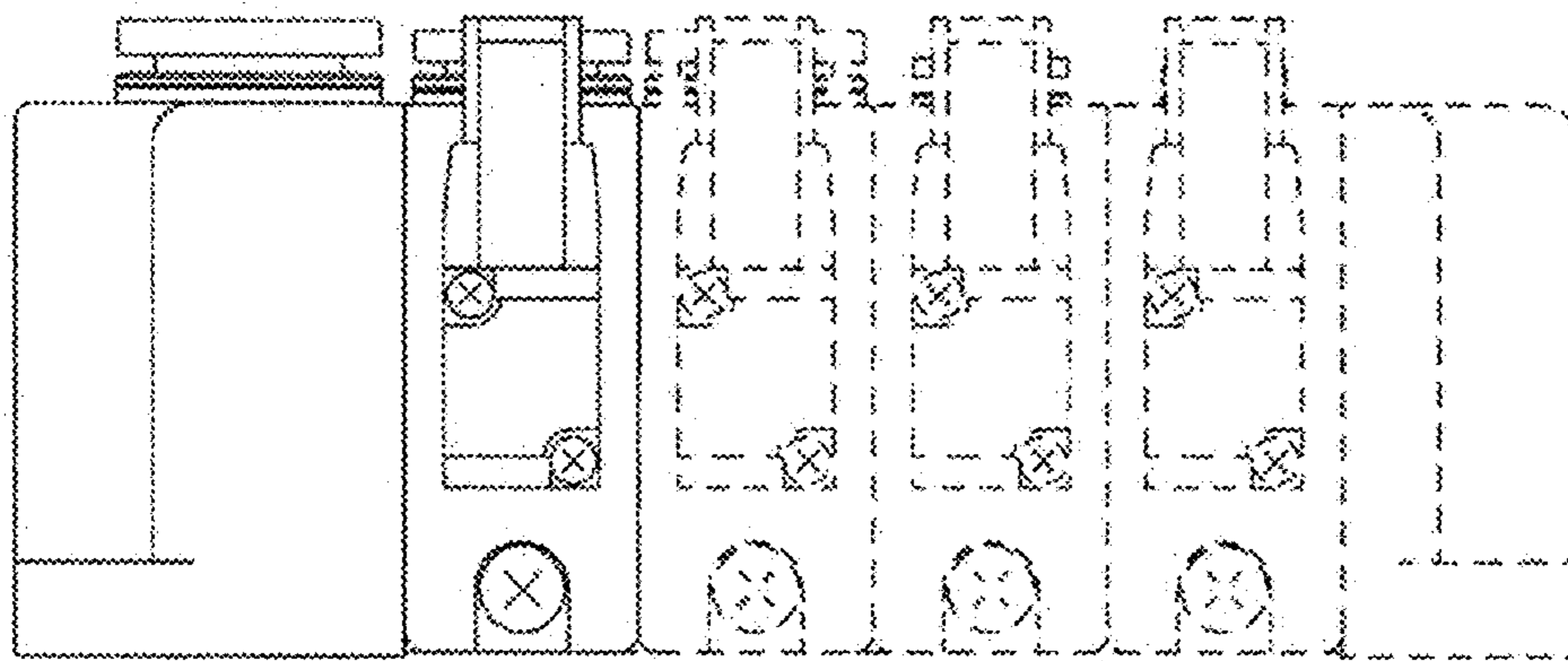


FIG. 3

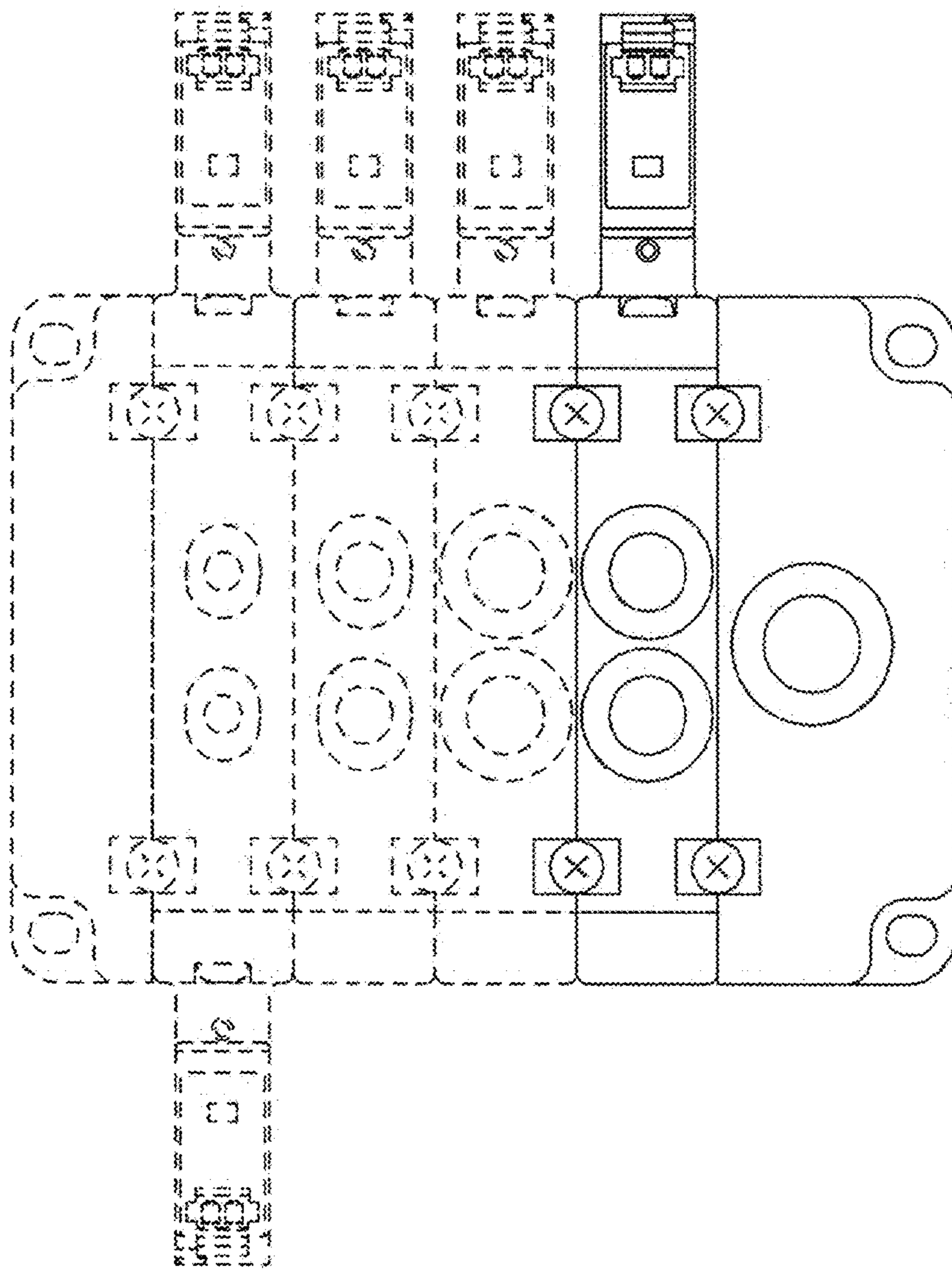


FIG. 4

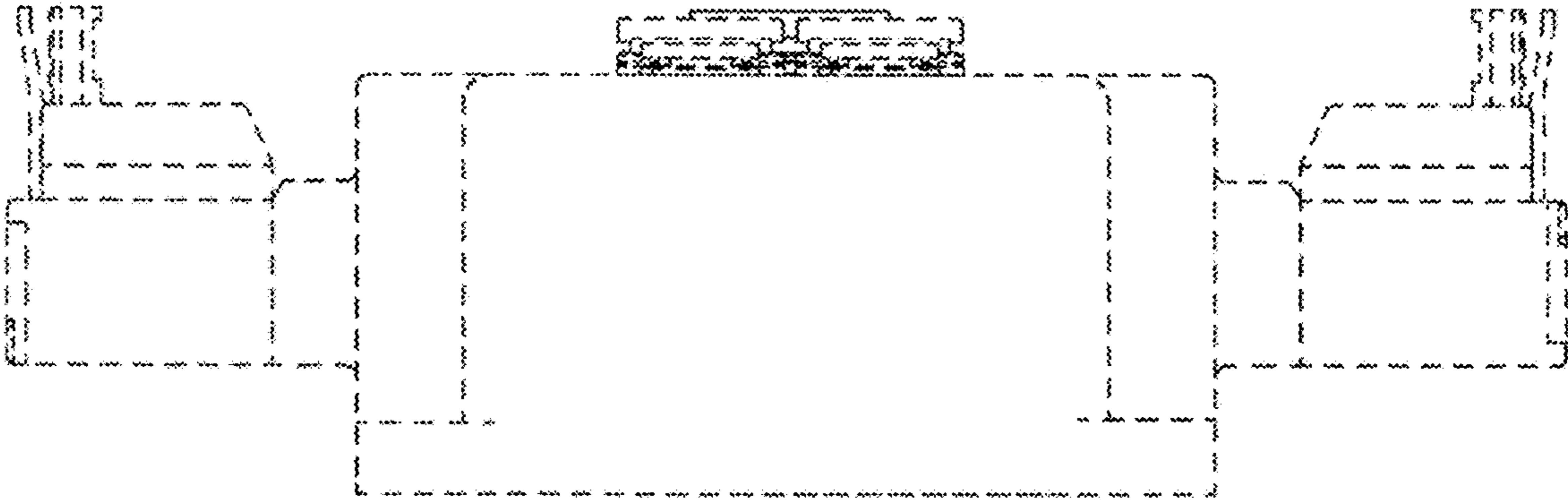


FIG. 5

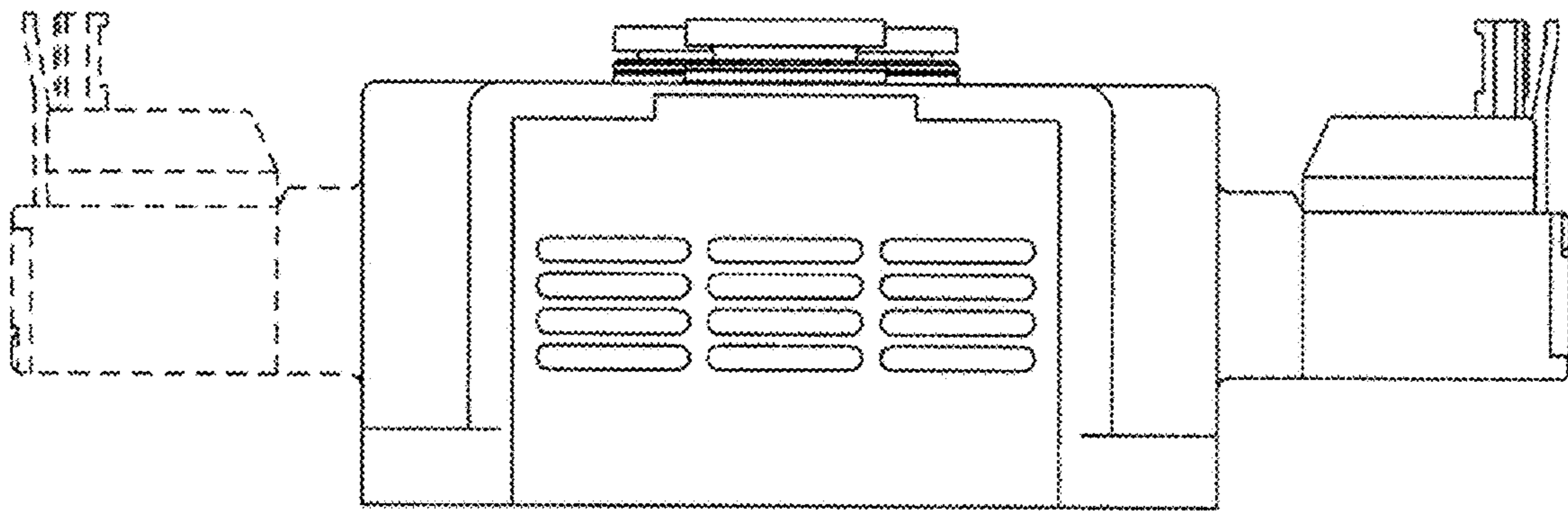
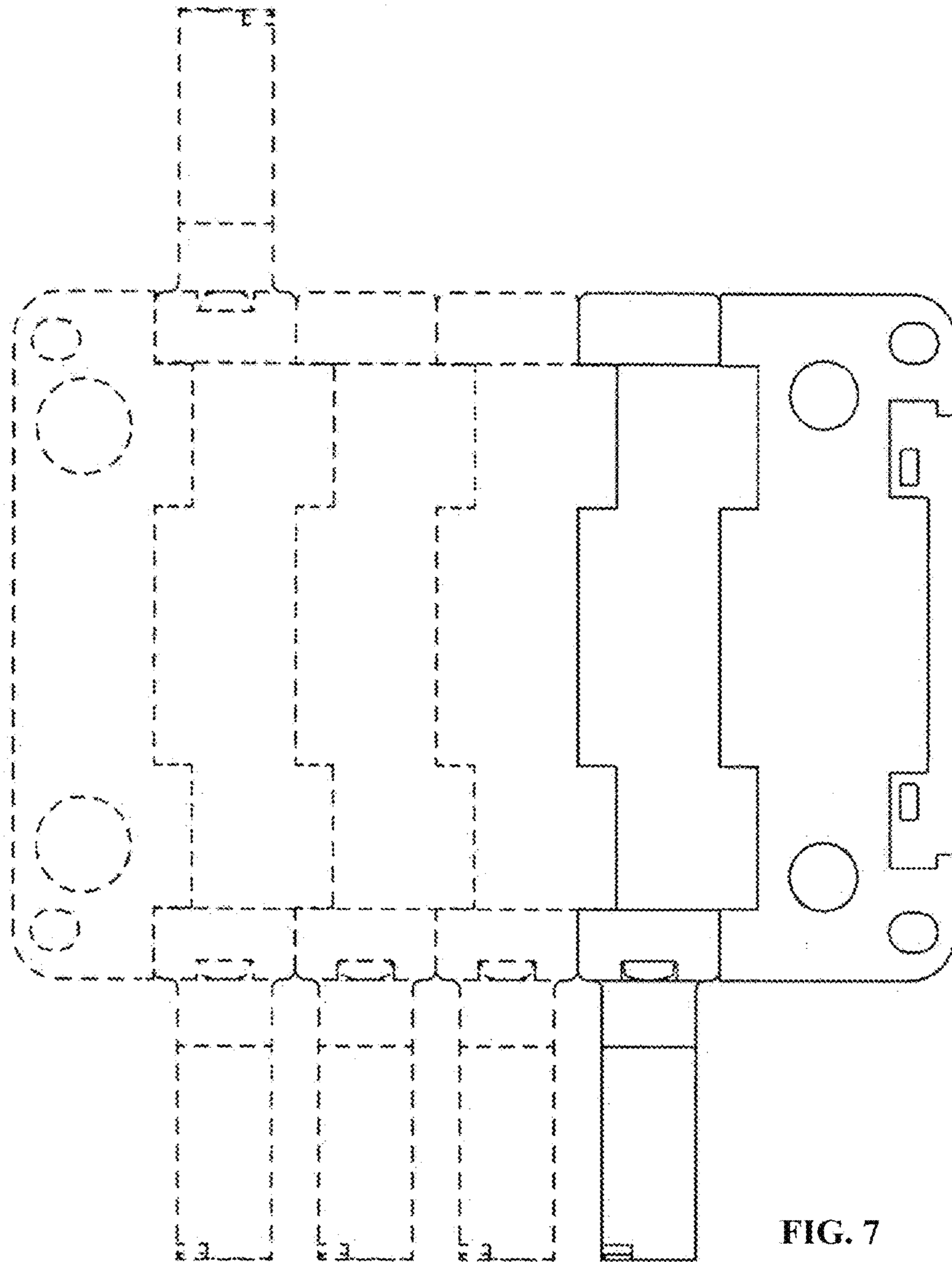


FIG. 6





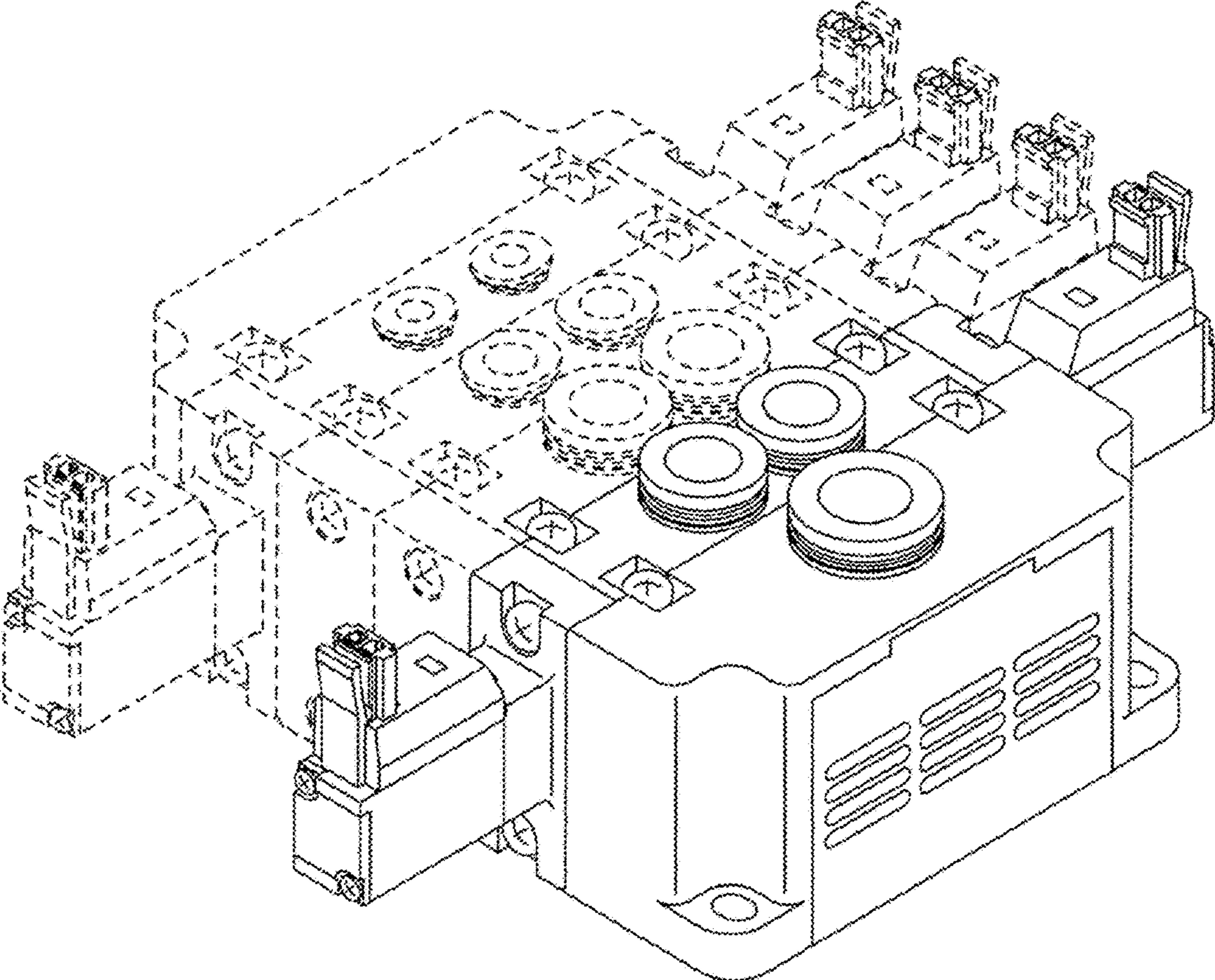


FIG. 8

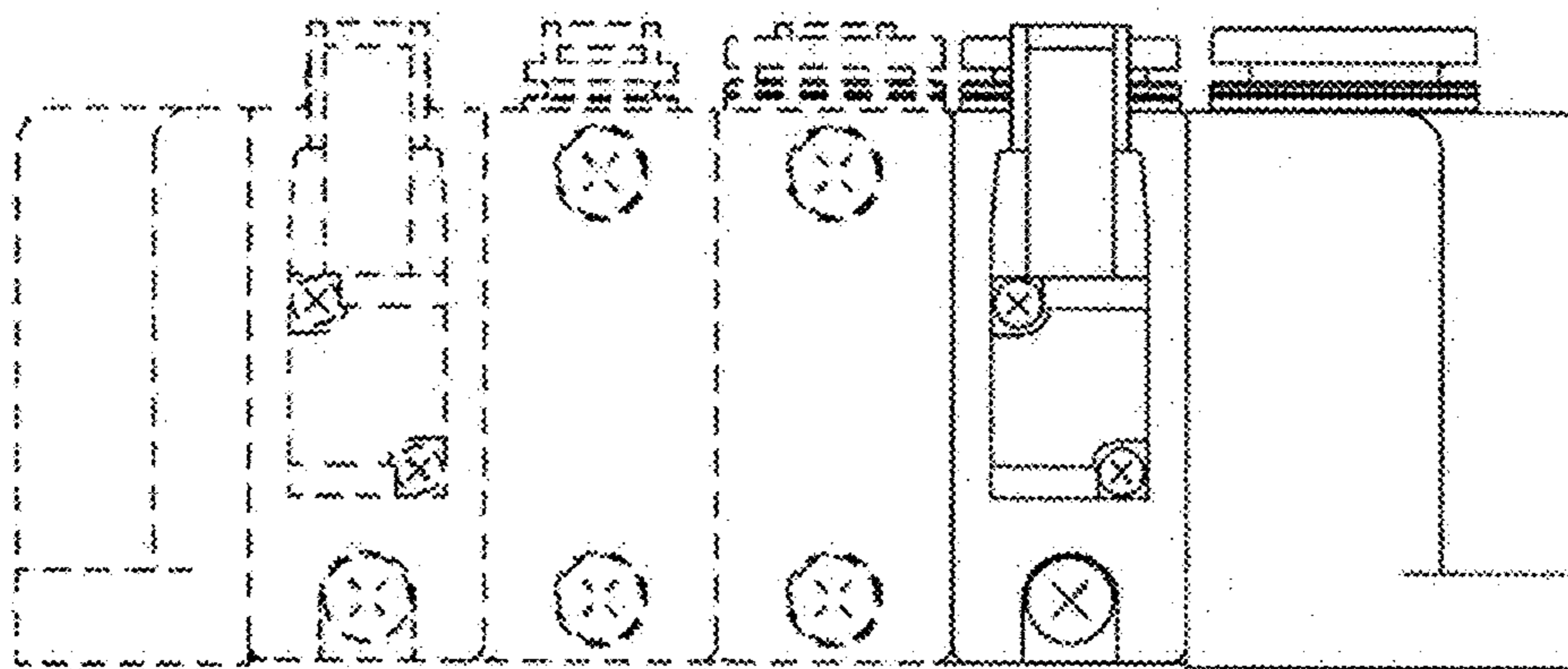


FIG. 9

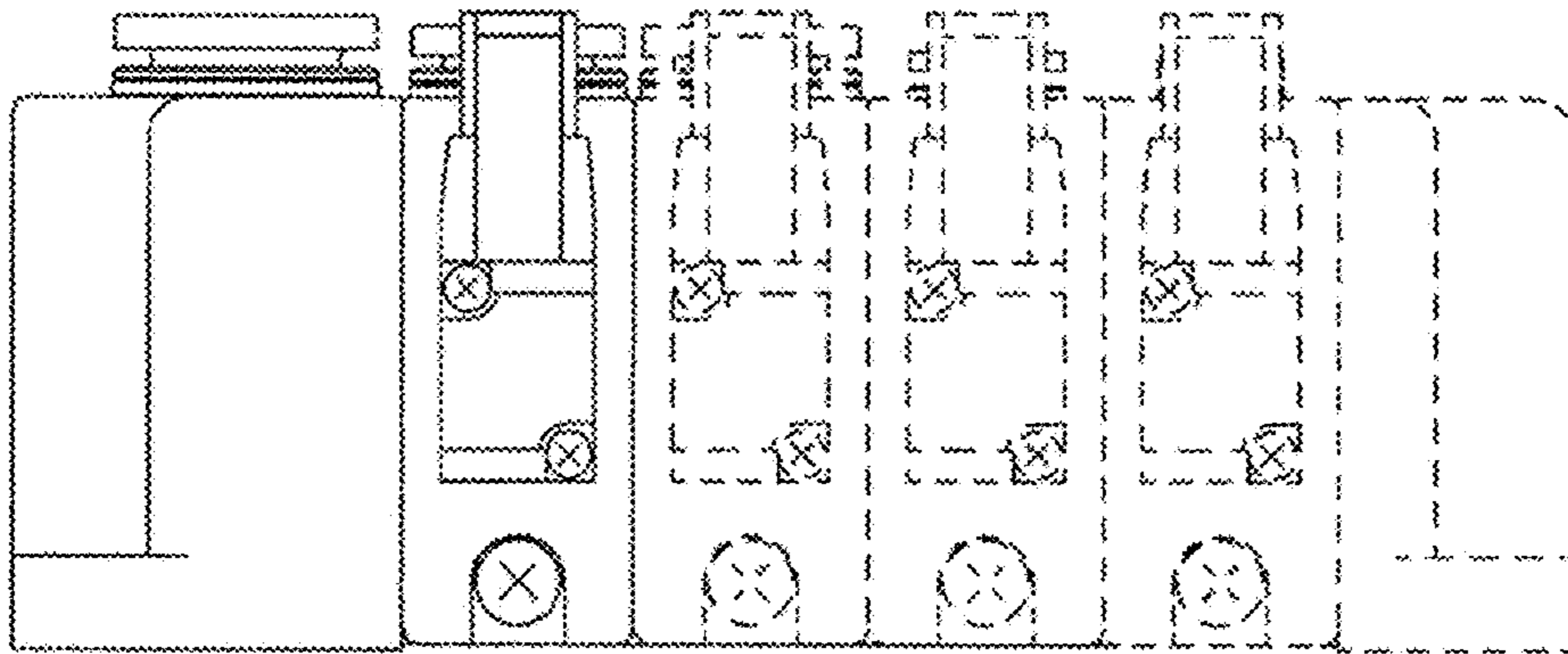


FIG. 10

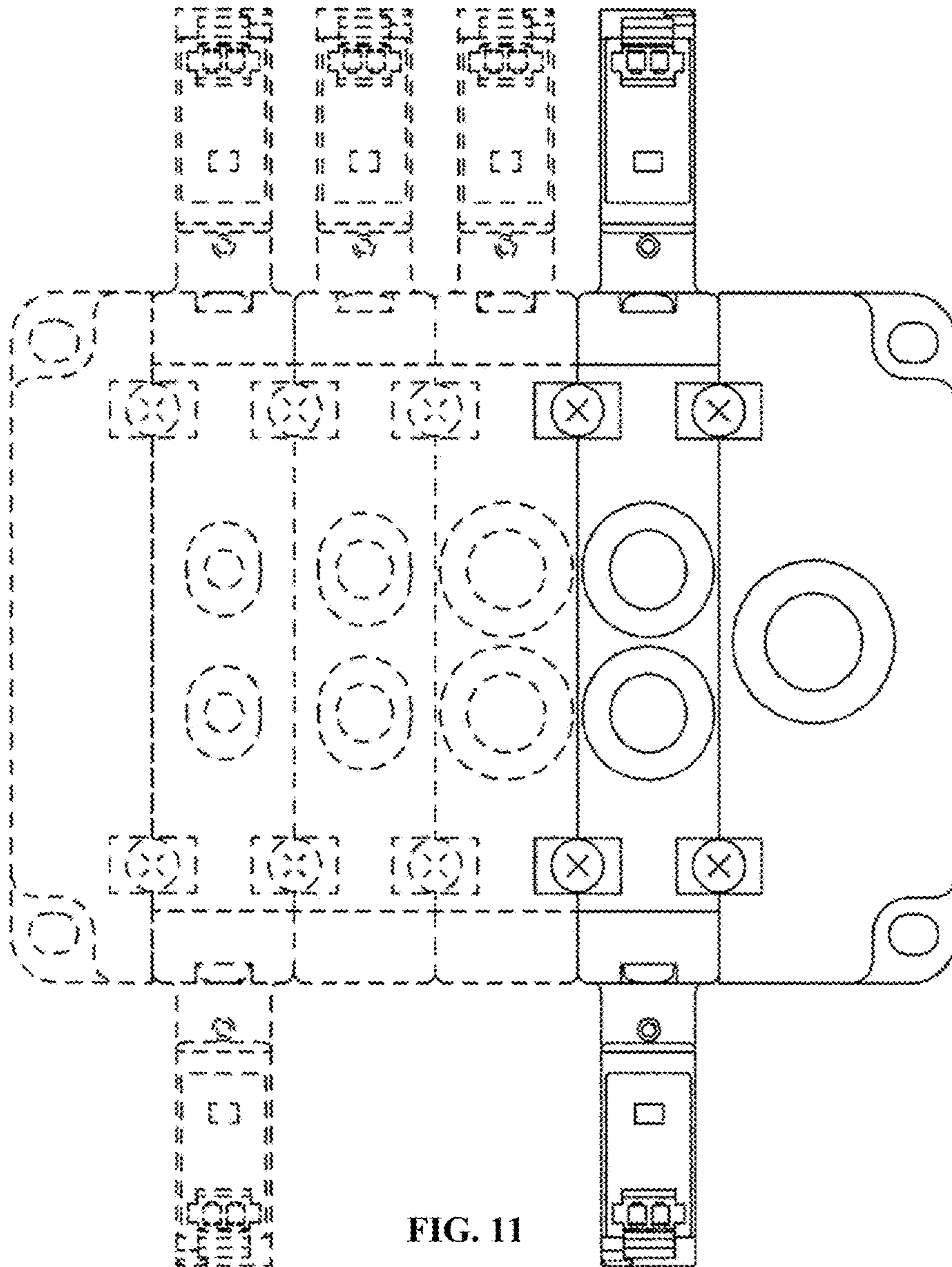




FIG. 12

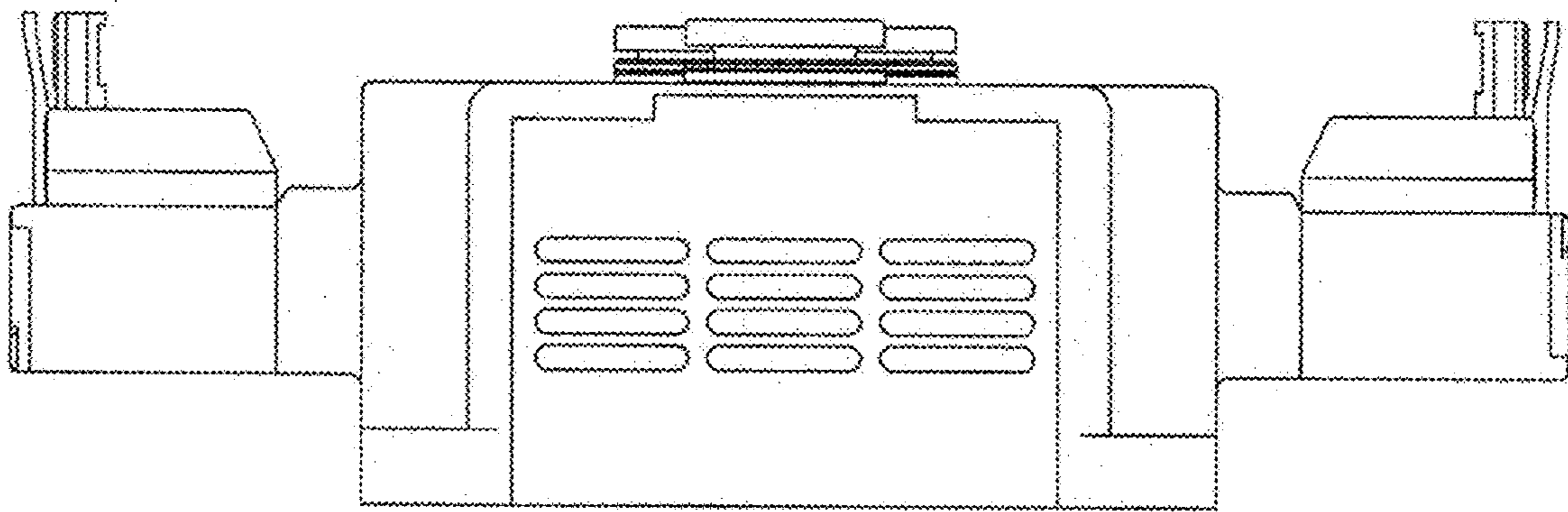


FIG. 13

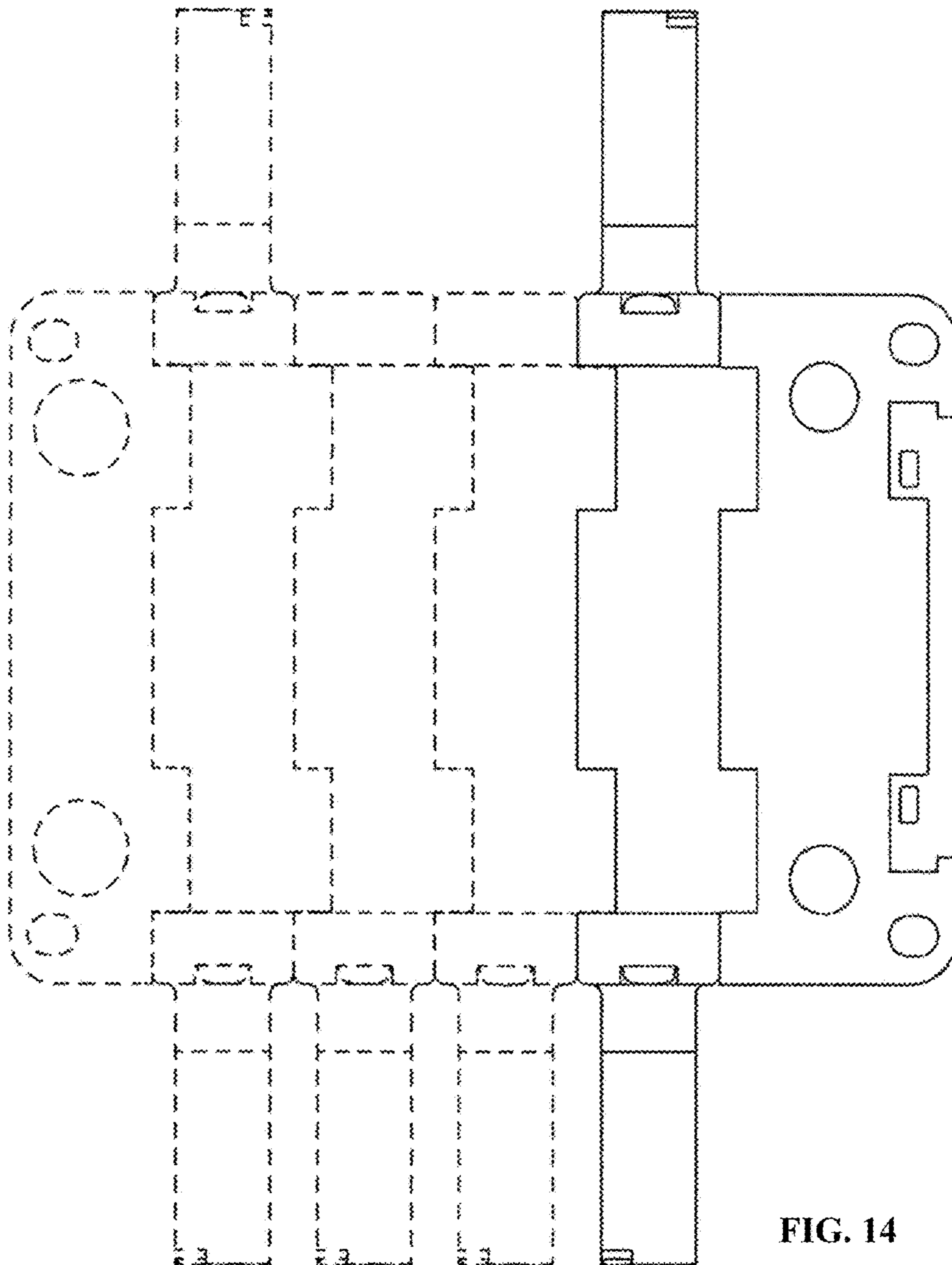


FIG. 14